



US00D642739S

(12) **United States Design Patent**
Helminen

(10) **Patent No.:** **US D642,739 S**

(45) **Date of Patent:** **** Aug. 2, 2011**

(54) **DECORATIVE HAIR RETAINER**

(76) Inventor: **Lynne Helminen**, Rindge, NH (US)

(**) Term: **14 Years**

(21) Appl. No.: **29/316,649**

(22) Filed: **Oct. 19, 2009**

(51) **LOC (9) Cl.** **28-03**

(52) **U.S. Cl.** **D28/41**

(58) **Field of Classification Search** D28/21-34,
D28/39-43; 132/101, 126, 128-131, 144,
132/148, 219, 275-284

See application file for complete search history.

(56) **References Cited**

U.S. PATENT DOCUMENTS

2,796,069	A *	6/1957	Mooney, Jr.	132/273
2,818,870	A *	1/1958	Francis	132/273
2,864,383	A *	12/1958	Jacks et al.	132/273
2,975,788	A *	3/1961	Ardelyan	132/273
3,357,070	A *	12/1967	Soloan	24/562
3,575,164	A *	4/1971	Heale	606/204.35
D221,115	S *	7/1971	Solomon	D28/41
5,301,696	A *	4/1994	Revson	132/273
D374,758	S *	10/1996	Armenta et al.	D2/891
D434,184	S *	11/2000	Acker	D28/41
D449,409	S *	10/2001	Chavis	D28/39
6,305,386	B1 *	10/2001	Wochadlo	132/275

* cited by examiner

Primary Examiner — Zenia Bennett

(74) *Attorney, Agent, or Firm* — Lambert & Associates;
Gary E. Lambert; David J. Connaughton, Jr.

(57) **CLAIM**

The ornamental design for a decorative hair retainer, as shown and described.

DESCRIPTION

FIG. 1 is a isometric perspective view of the hair retaining apparatus comprising decorative elements decorative hair retainer, illustrating the apparatus with a stud decorative element, a flower decorative element and a hanging flower decorative element, which embodies my design;

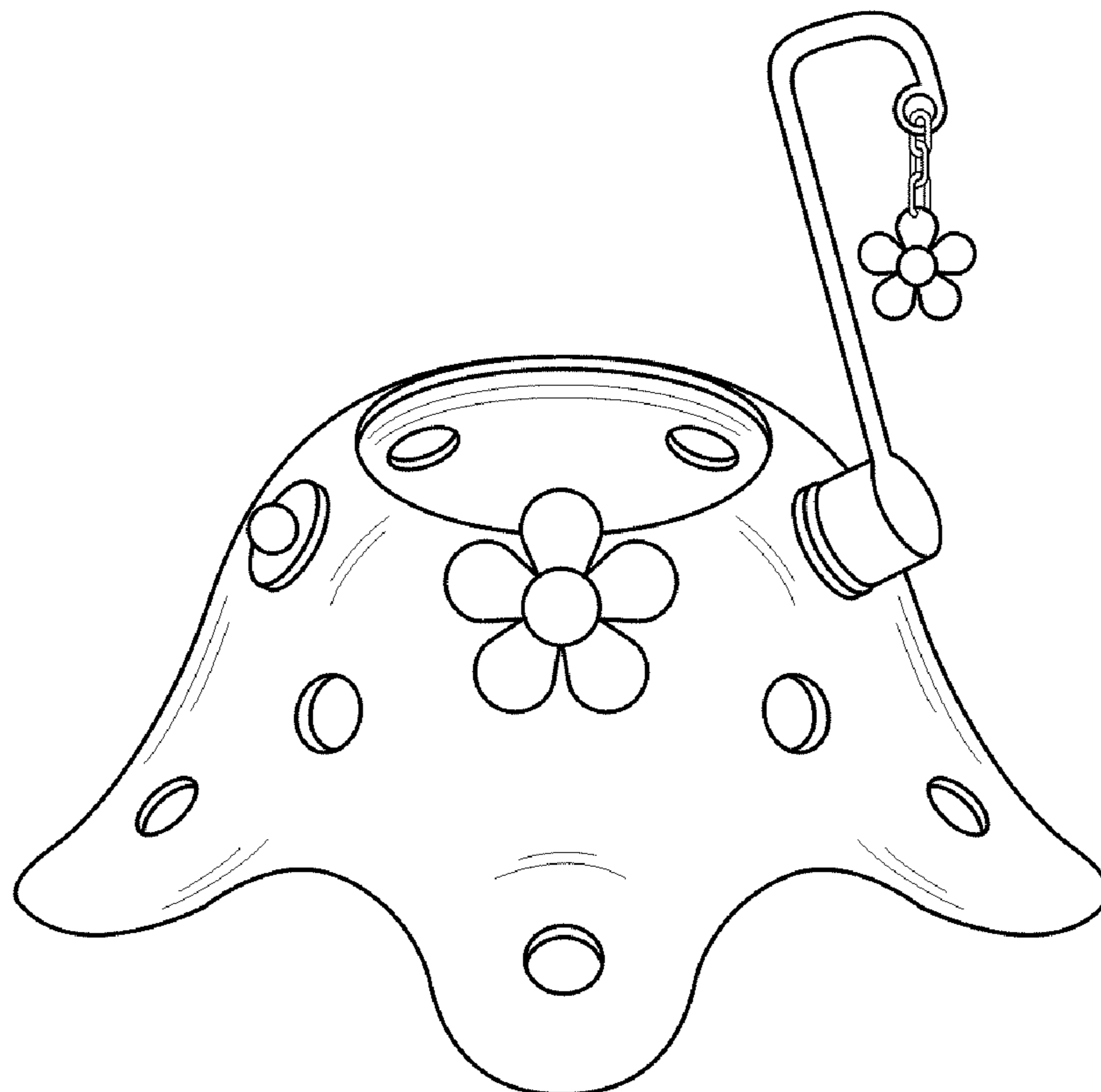
FIG. 2 is a front perspective view of the decorative hair retainer;

FIG. 3 is a top perspective view of the decorative hair retainer; and,

FIG. 4 is a bottom perspective view of the decorative hair retainer.

The broken lines in the drawing are for illustrative purposes only and form no part of the claimed design.

1 Claim, 2 Drawing Sheets



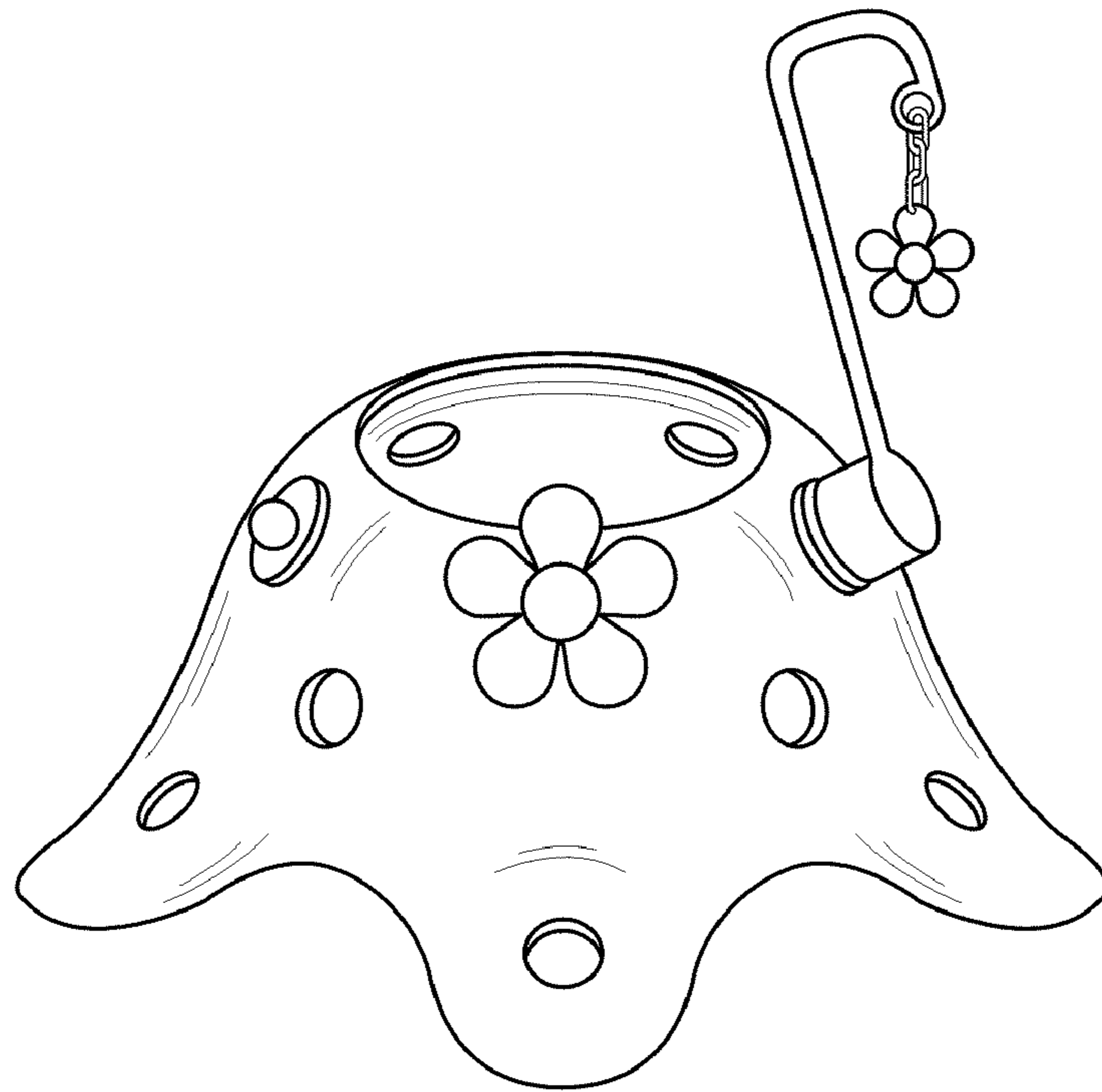


Fig. 1

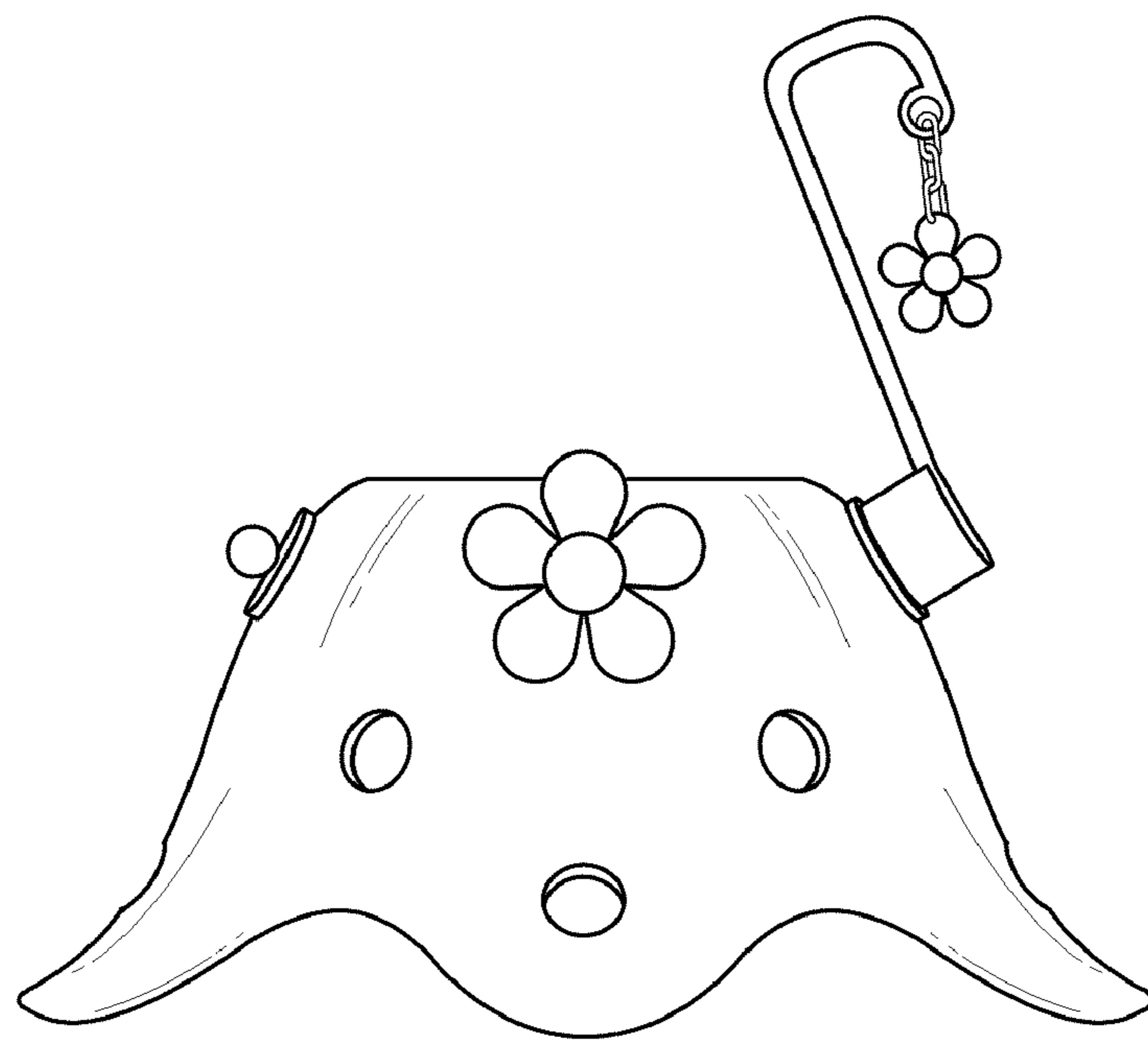


Fig. 2

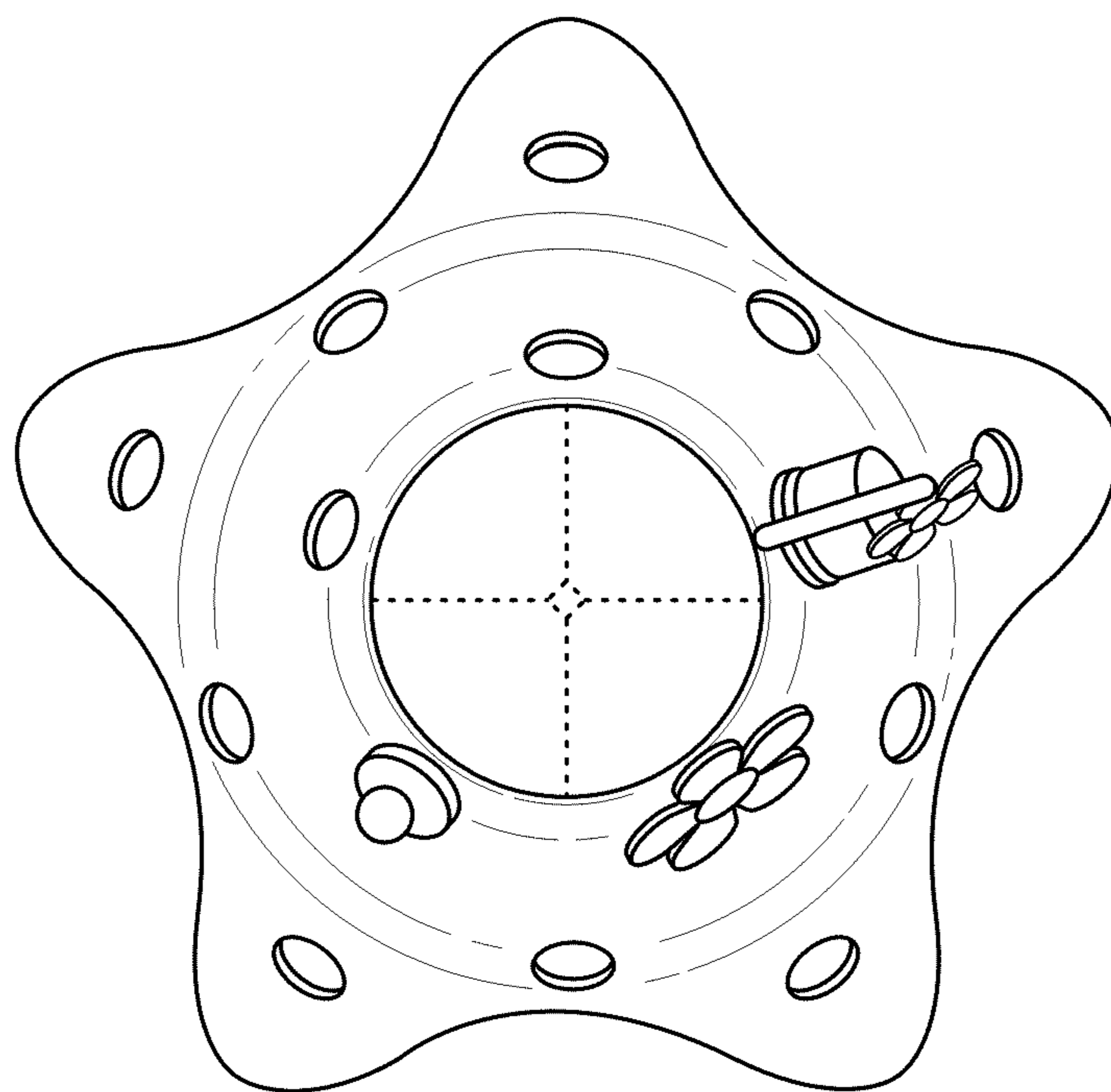


Fig. 3

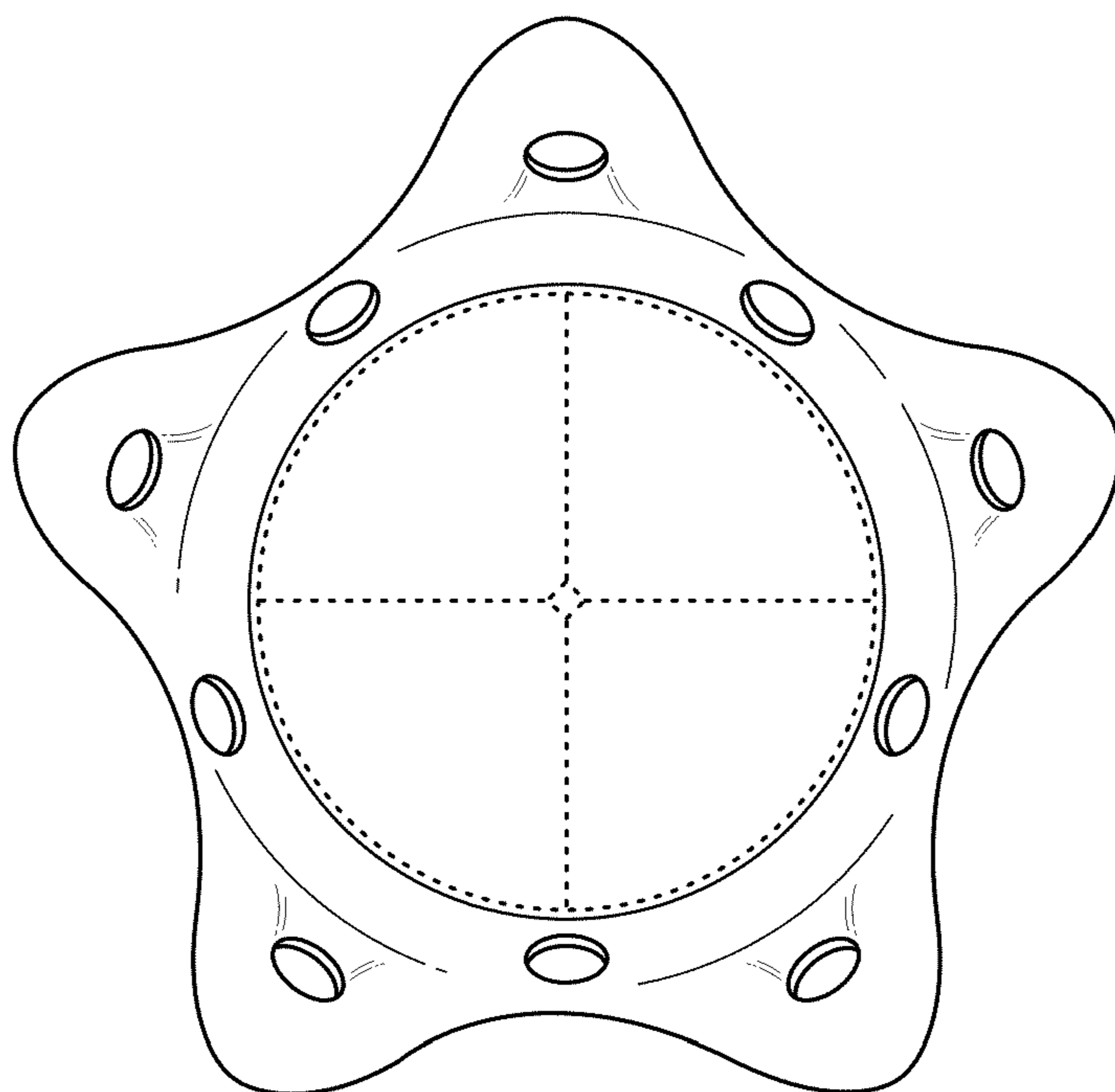


Fig. 4