



US00D642737S

(12) **United States Design Patent**
Tobias

(10) **Patent No.:** **US D642,737 S**

(45) **Date of Patent:** **** Aug. 2, 2011**

(54) **HAIR TREATMENT DEVICE**

(76) Inventor: **Andrew J. Tobias**, Santa Barbara, CA (US)

(**) Term: **14 Years**

(21) Appl. No.: **29/385,930**

(22) Filed: **Feb. 22, 2011**

(51) **LOC (9) Cl.** **28-03**

(52) **U.S. Cl.** **D28/35**

(58) **Field of Classification Search** D28/35-38;
132/223-272

See application file for complete search history.

(56) **References Cited**

U.S. PATENT DOCUMENTS

3,603,765	A	9/1971	Underwood	
D300,375	S *	3/1989	Birks	D28/35
4,870,250	A	9/1989	Rizzuto	
4,939,340	A	7/1990	Brill	
5,120,933	A	6/1992	Altamore	
5,934,293	A	8/1999	Kaizuka	
D425,247	S *	5/2000	Griffin	D28/35
6,070,596	A	6/2000	Altamore	
6,119,702	A	9/2000	Habibi	
6,173,718	B1	1/2001	Okumoto et al.	
6,223,753	B1	5/2001	Lo	
6,257,248	B1	7/2001	Yeh	
6,325,072	B1	12/2001	Smetana	
6,494,216	B1	12/2002	Hirata	
6,615,847	B1	9/2003	Hagelstam	
6,622,735	B2	9/2003	Hirata et al.	
D558,395	S *	12/2007	Ceva	D28/35
D577,152	S *	9/2008	Ceva	D28/35
D618,394	S *	6/2010	Keong	D28/35
2001/0022184	A1	9/2001	Lee	
2002/0036000	A1	3/2002	Hirata et al.	
2002/0190047	A1	12/2002	Nam	
2003/0071027	A1	4/2003	Lo	
2004/0003824	A1	1/2004	Habibi	
2004/0163661	A1	8/2004	Carlucci	

OTHER PUBLICATIONS

U.S. Appl. No. 11/646,901, Tobias-all references cited therein.
International Search Report for PCT Applic. No. PCT/US06/49565
issued by ISA/US on Oct. 26, 2007.

* cited by examiner

Primary Examiner — Jennifer Rivard

(74) *Attorney, Agent, or Firm* — Law Offices of Kamran Fattahi

(57) **CLAIM**

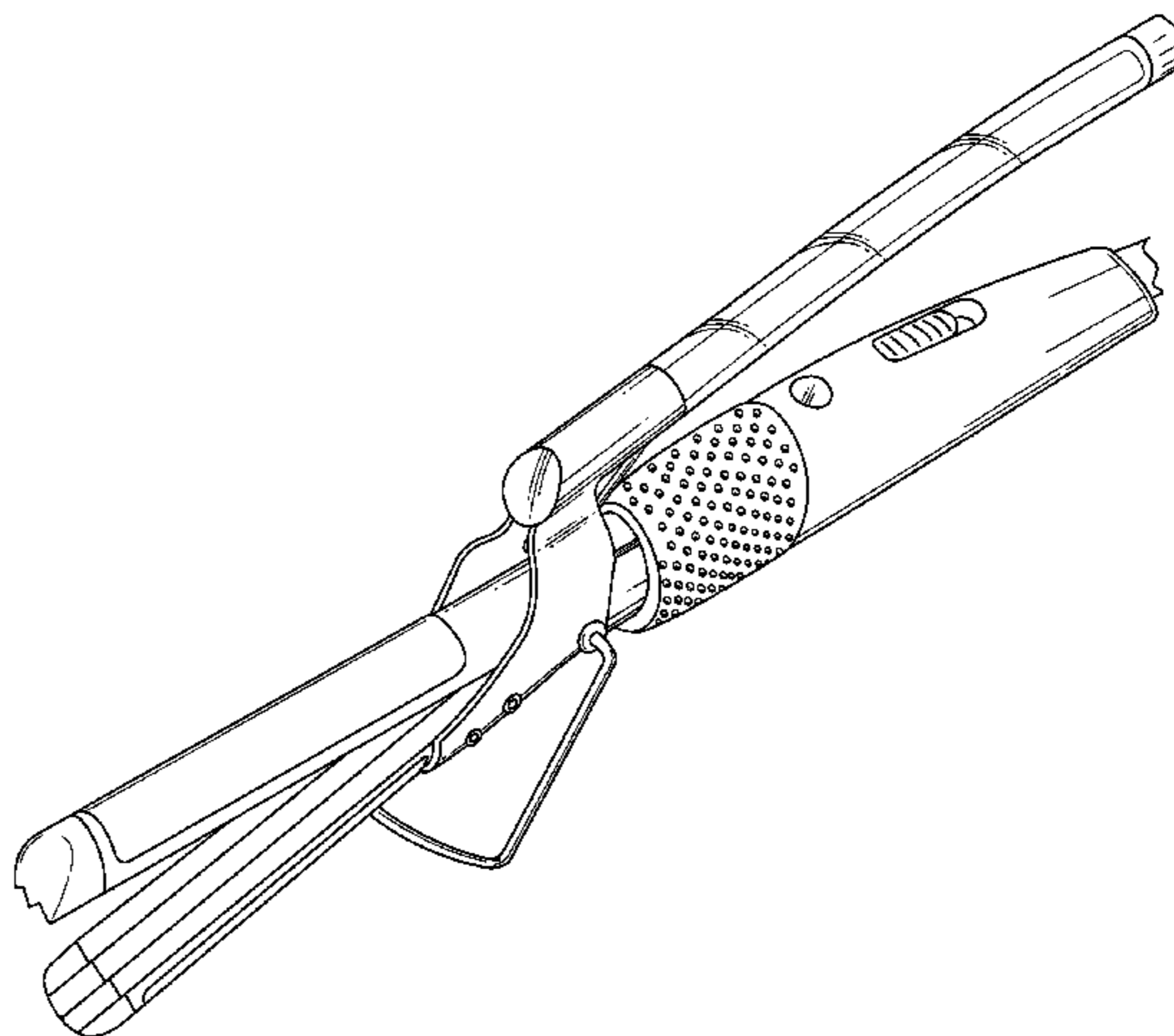
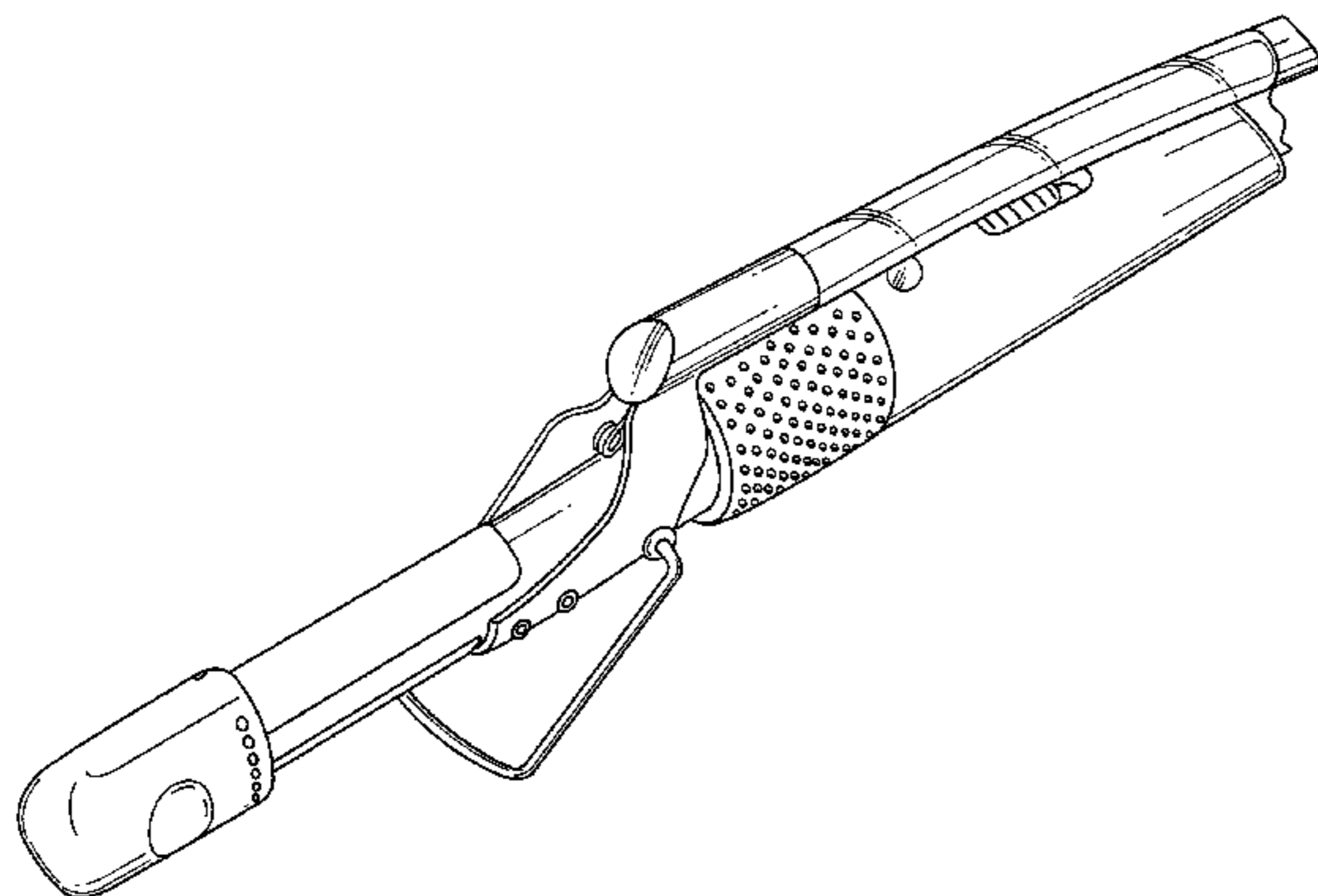
The ornamental design for a hair treatment device, as shown and described.

DESCRIPTION

FIG. 1 is a left side perspective view of a hair treatment device embodying my new design, with the hair engaging surfaces of the device shown in closed position and a protective cap placed over the distal tips of the hair engaging surfaces; FIG. 2 is a left side perspective view of the invention, with the protective cap removed and the hair engaging surfaces of the device shown in open position; FIG. 3 is a left side elevation view of the device as shown in FIG. 1; FIG. 4 is a right side elevation view of the device as shown in FIG. 1; FIG. 5 is a top plan view of the device as shown in FIG. 1; FIG. 6 is a bottom plan view of the device as shown in FIG. 1; FIG. 7 is a front end perspective view of the device as shown in FIG. 1; and, FIG. 8 is a rear end perspective view of the device as shown in FIG. 1.

For convenience of illustration, the protective cap of the hair treatment device has been removed in FIG. 2.

1 Claim, 5 Drawing Sheets



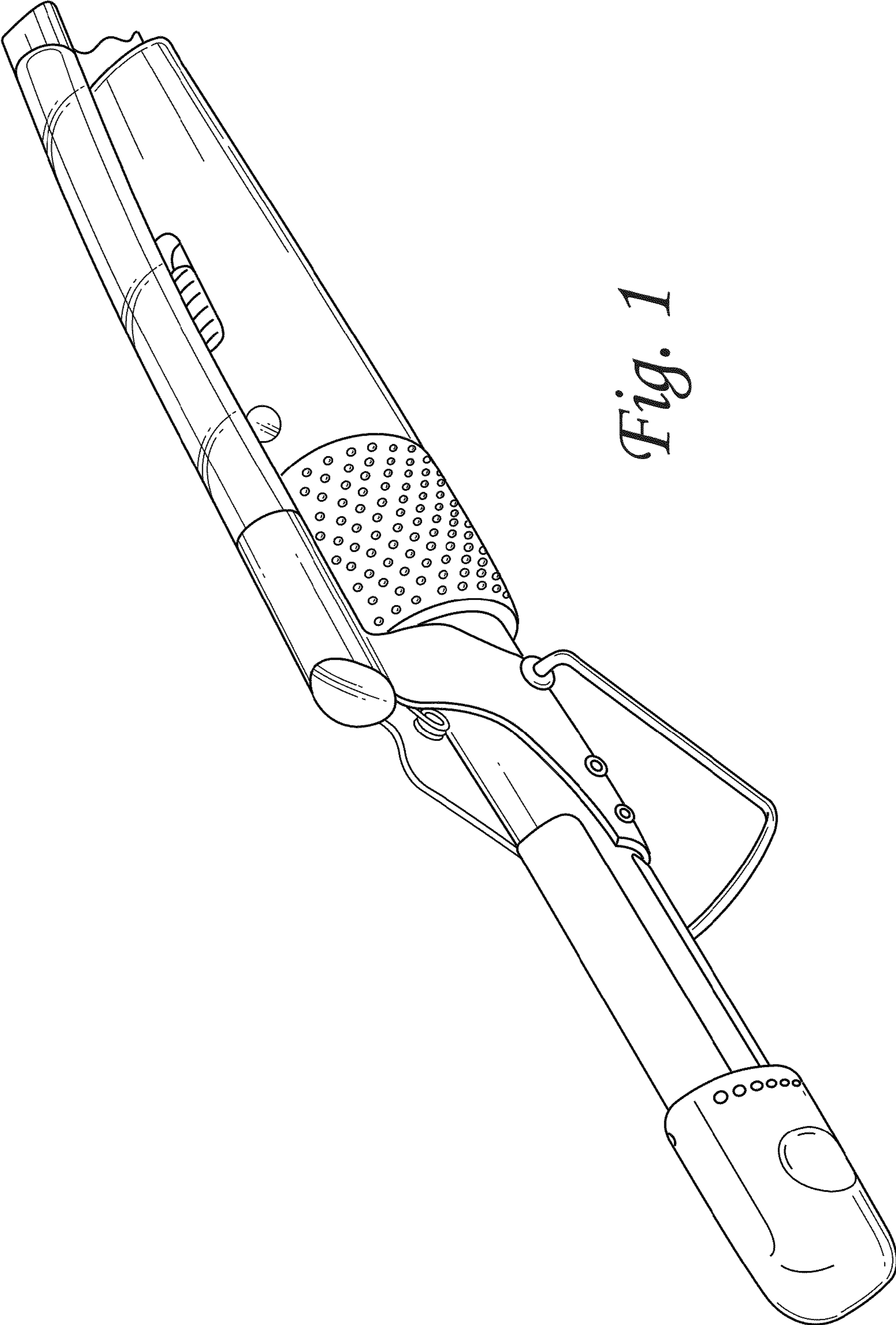


Fig. 1

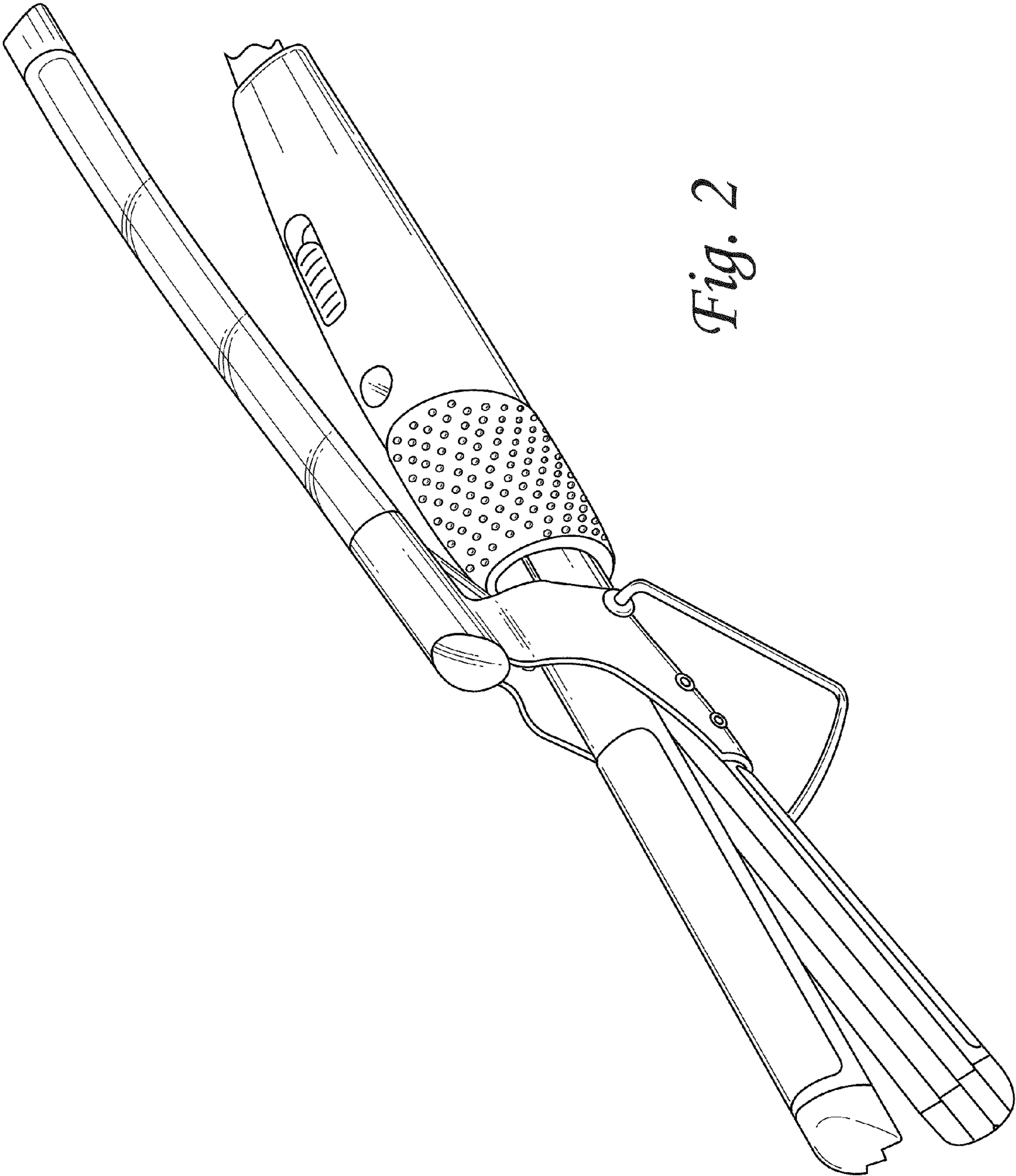
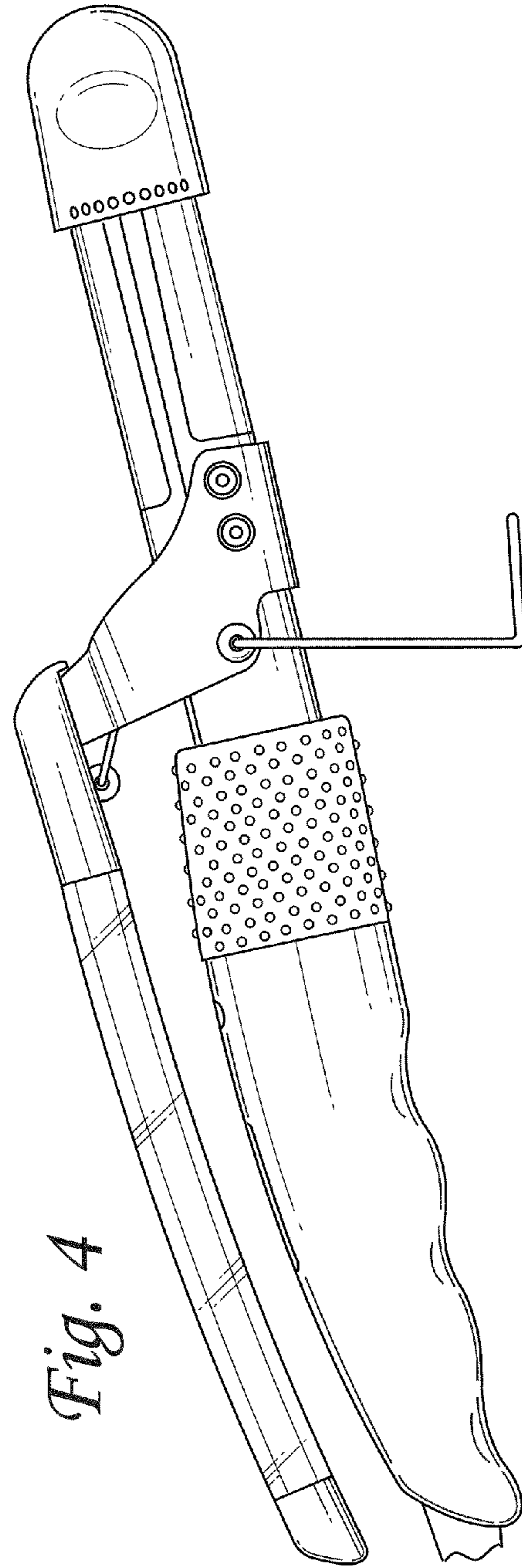
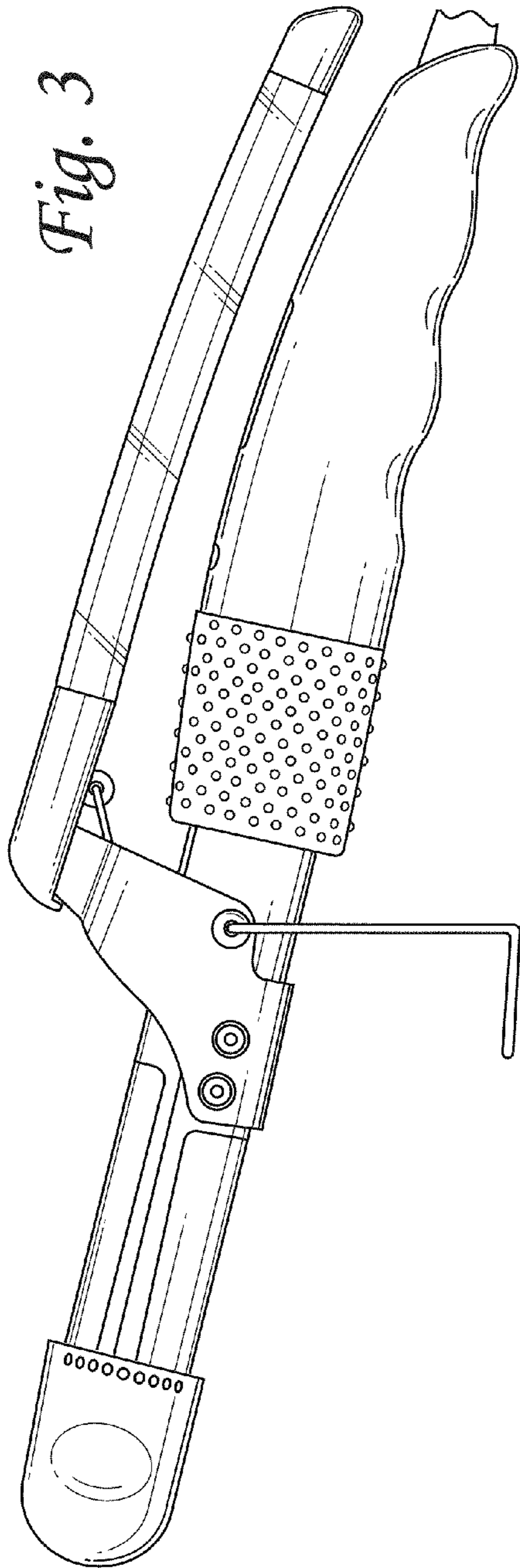


Fig. 2



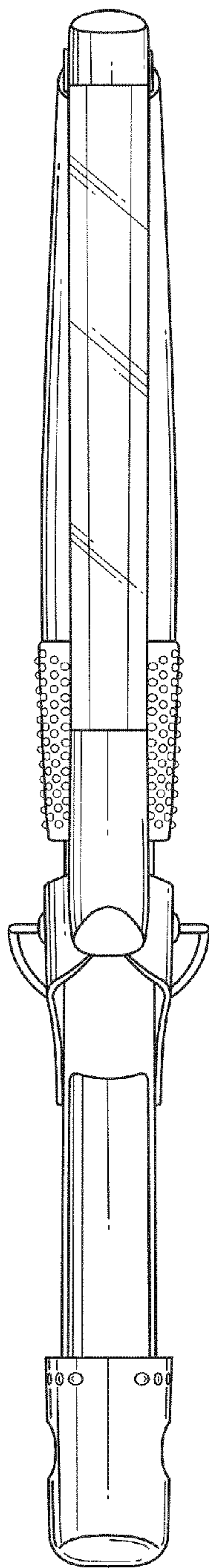


Fig. 5

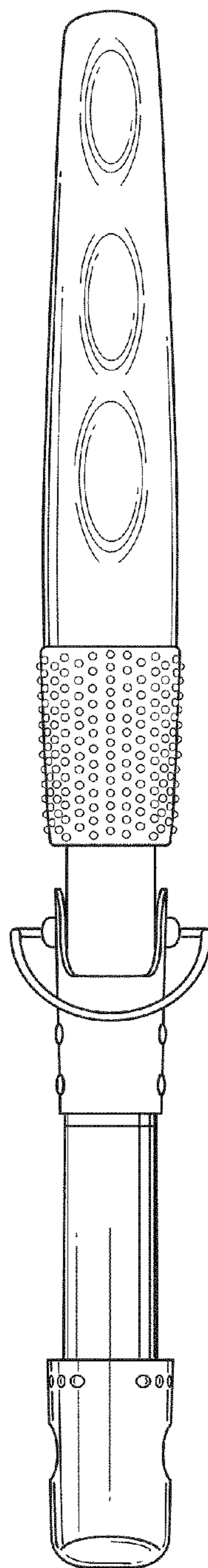


Fig. 6

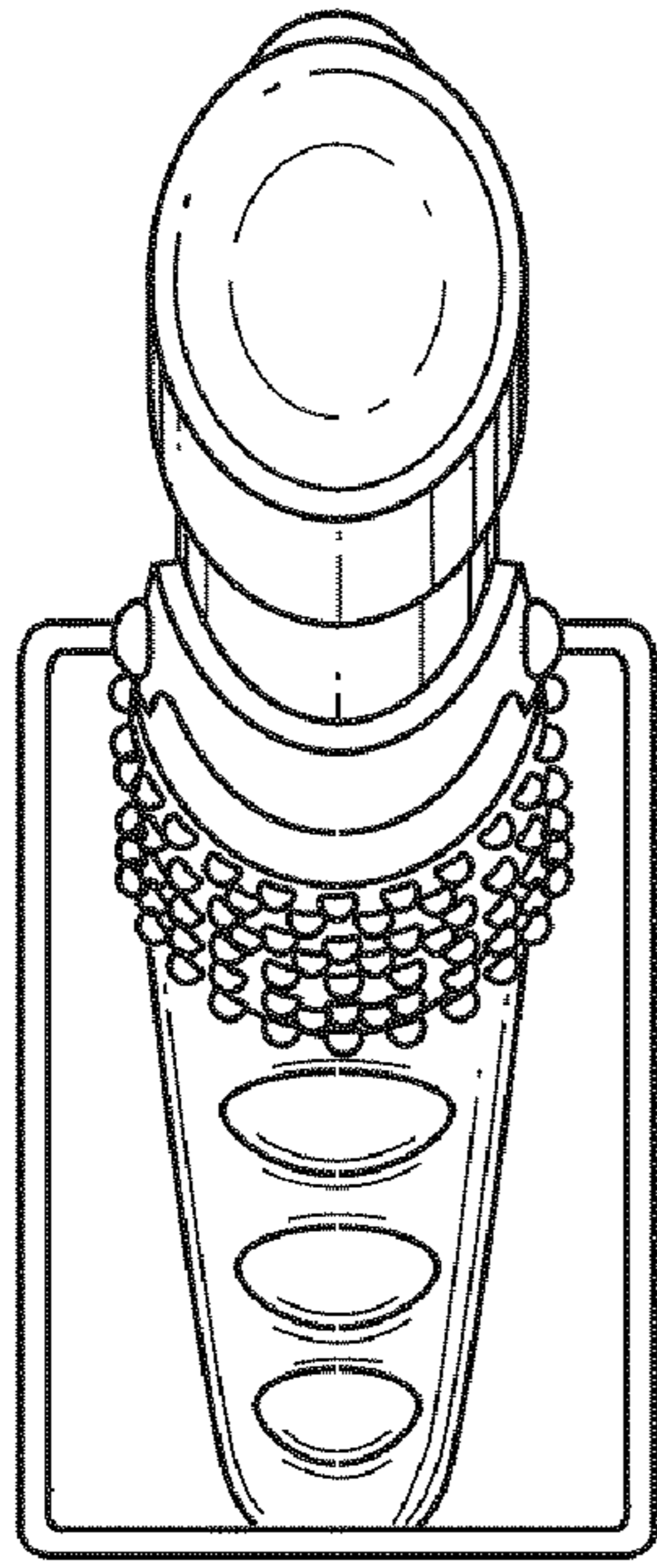


Fig. 7

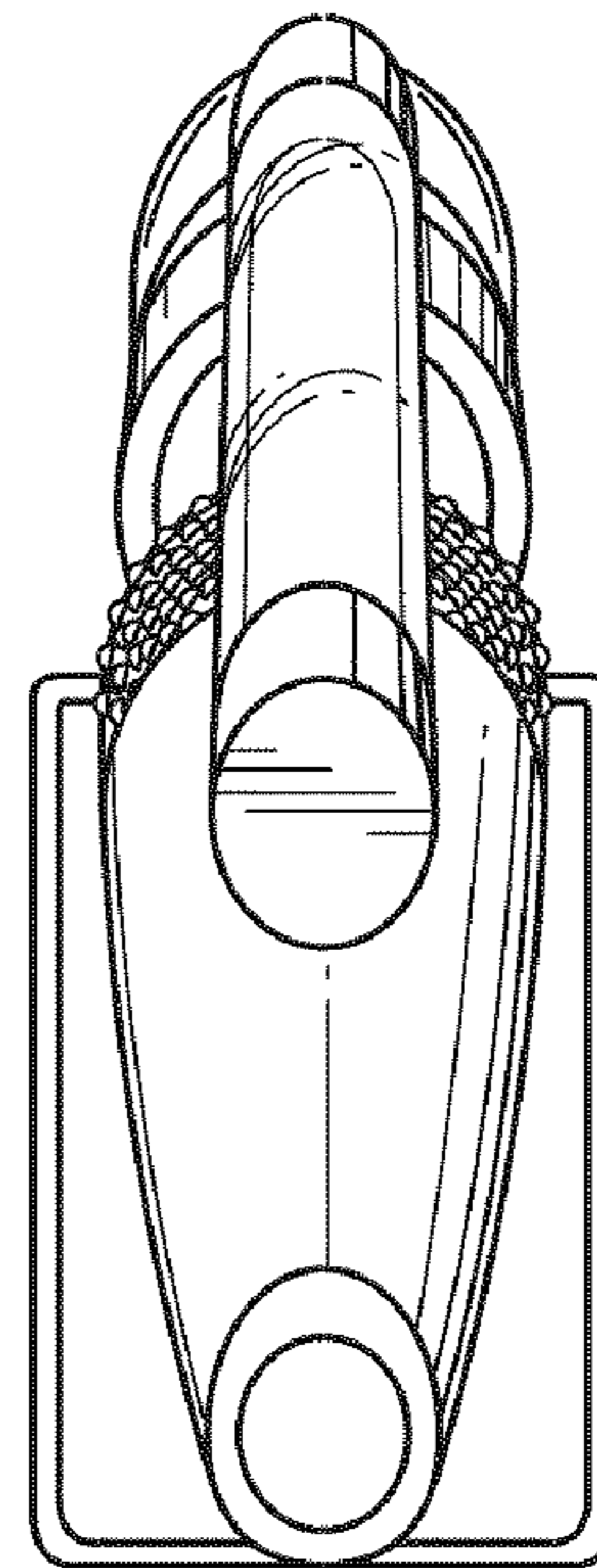


Fig. 8