

US00D642736S

(12) **United States Design Patent**  
**Reidy**

(10) **Patent No.:** **US D642,736 S**

(45) **Date of Patent:** **\*\* Aug. 2, 2011**

(54) **STAND FOR A HAIR DRYER**  
(75) Inventor: **James W. Reidy**, Palm Beach, FL (US)  
(73) Assignee: **Easy Life Products, Inc.**, Palm Beach, FL (US)  
(\*\*) Term: **14 Years**  
(21) Appl. No.: **29/388,428**

6,209,732 B1 4/2001 Dennis et al.  
6,997,421 B2 2/2006 Reynolds et al.  
7,077,370 B2 7/2006 Lin et al.  
D529,316 S 10/2006 Fujiki  
D551,513 S 9/2007 Fiorella  
7,264,209 B2 9/2007 Burk  
D552,796 S \* 10/2007 Petruccelli ..... D28/73  
D584,856 S \* 1/2009 Kirschenmann ..... D28/73  
D584,857 S \* 1/2009 Kirschenmann ..... D28/73  
D608,054 S \* 1/2010 Radfar ..... D28/73  
7,784,750 B2 8/2010 Burk  
2006/0006294 A1 1/2006 Harris  
2009/0065661 A1 3/2009 Burk

\* cited by examiner

(22) Filed: **Mar. 29, 2011**  
(51) **LOC (9) Cl.** ..... **28-03**  
(52) **U.S. Cl.** ..... **D28/18**  
(58) **Field of Classification Search** ..... D28/12-19,  
D28/73; 34/96-101; 392/380-385; 219/222;  
D8/373; D6/513, 569; D7/637, 619.1  
See application file for complete search history.

*Primary Examiner* — Zenia Bennett

(74) *Attorney, Agent, or Firm* — McHale & Slavin, P.A.

(57) **CLAIM**

The ornamental design for a stand for a hair dryer, as shown and described.

(56) **References Cited**

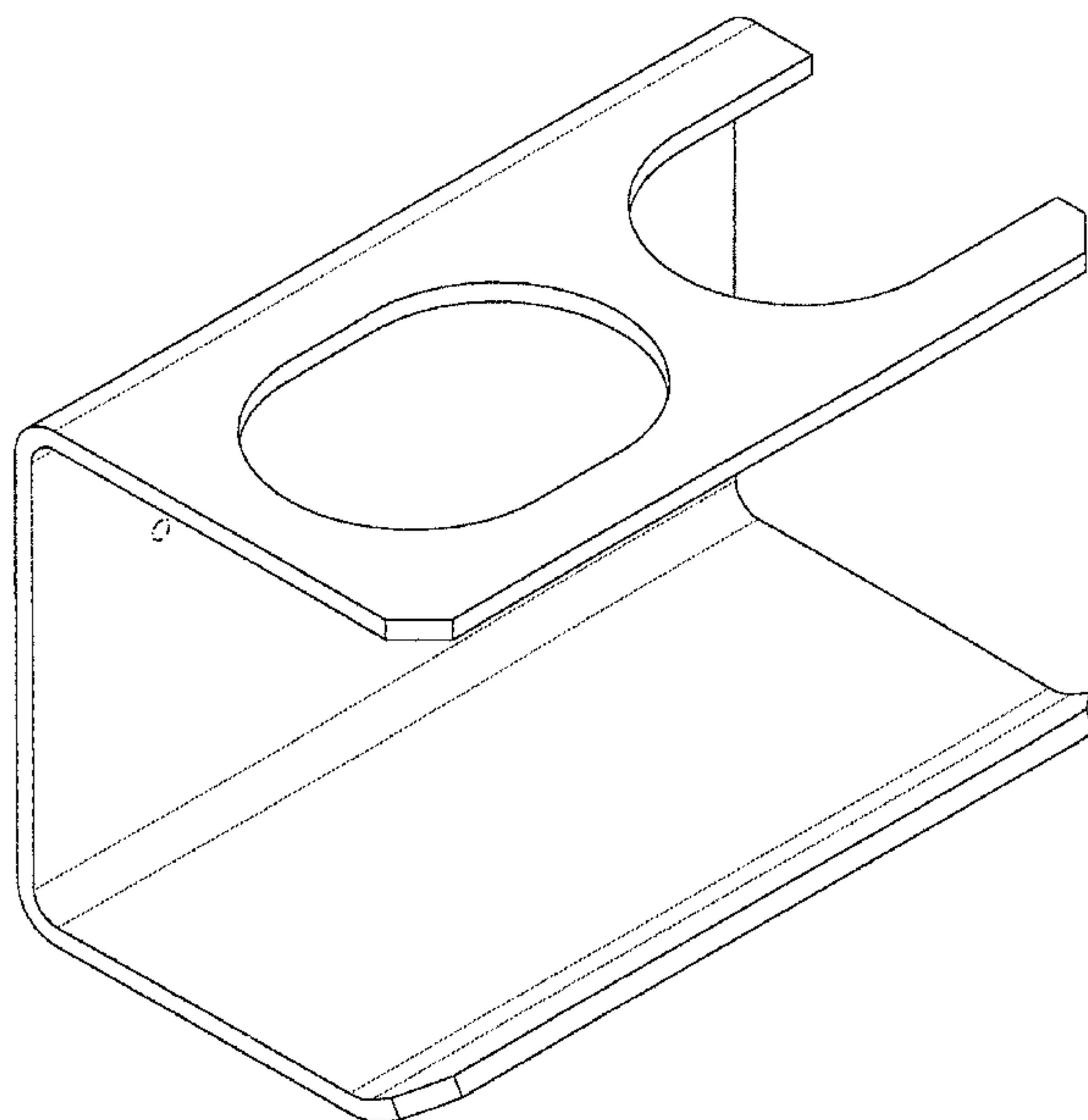
**U.S. PATENT DOCUMENTS**

3,913,877 A 10/1975 Wiener  
D243,559 S \* 3/1977 Hoyle et al. .... D28/38  
4,333,623 A 6/1982 May  
4,671,476 A 6/1987 Yim  
4,746,090 A \* 5/1988 Hamilton ..... 248/314  
4,826,049 A 5/1989 Speer  
D302,052 S 7/1989 Plaut  
D302,744 S 8/1989 Flynn  
4,874,142 A 10/1989 Gelatt  
D313,341 S \* 1/1991 Gaboriault et al. .... D8/366  
4,998,698 A 3/1991 Martinson  
5,048,677 A 9/1991 Pedracine  
5,090,649 A 2/1992 Tipp  
5,127,616 A 7/1992 Carney  
5,350,144 A \* 9/1994 Lary ..... 248/183.1  
5,366,192 A 11/1994 Carroll  
D371,220 S 6/1996 Behrens  
5,984,246 A 11/1999 Gardner

**DESCRIPTION**

FIG. 1 is a perspective view from above of the stand for a hair dryer of the instant invention;  
FIG. 2 is a top view thereof;  
FIG. 3 is a bottom view thereof;  
FIG. 4 is a first end view thereof;  
FIG. 5 is a second end view thereof;  
FIG. 6 is a front view thereof;  
FIG. 7 is a rear view thereof; and,  
FIG. 8 is a perspective view thereof illustrating the device with a hair dryer.  
The portions of the figures illustrated in broken lines are included for the purpose of illustrating an environment and form no part of the claimed design.

**1 Claim, 8 Drawing Sheets**



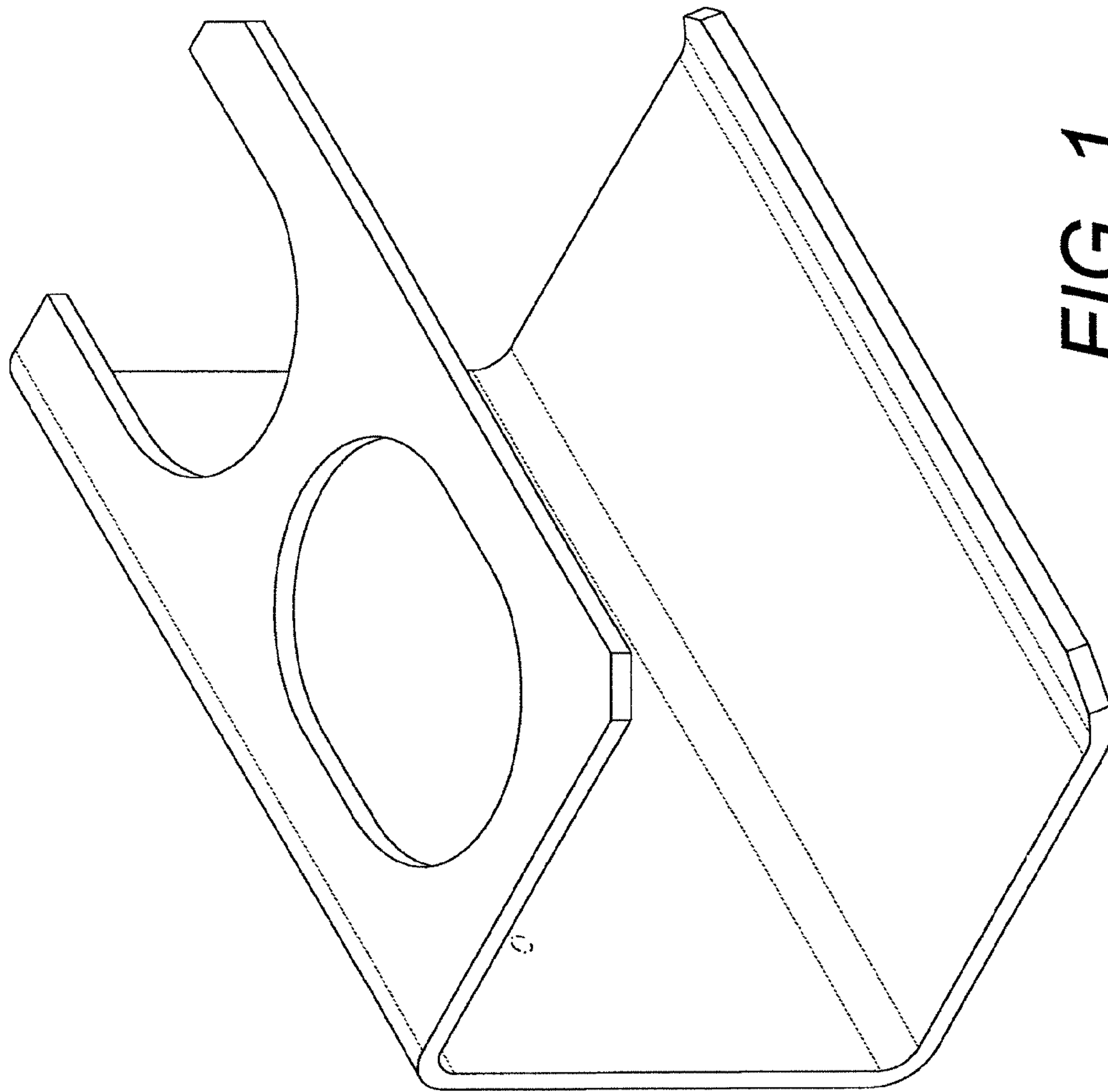


FIG. 1

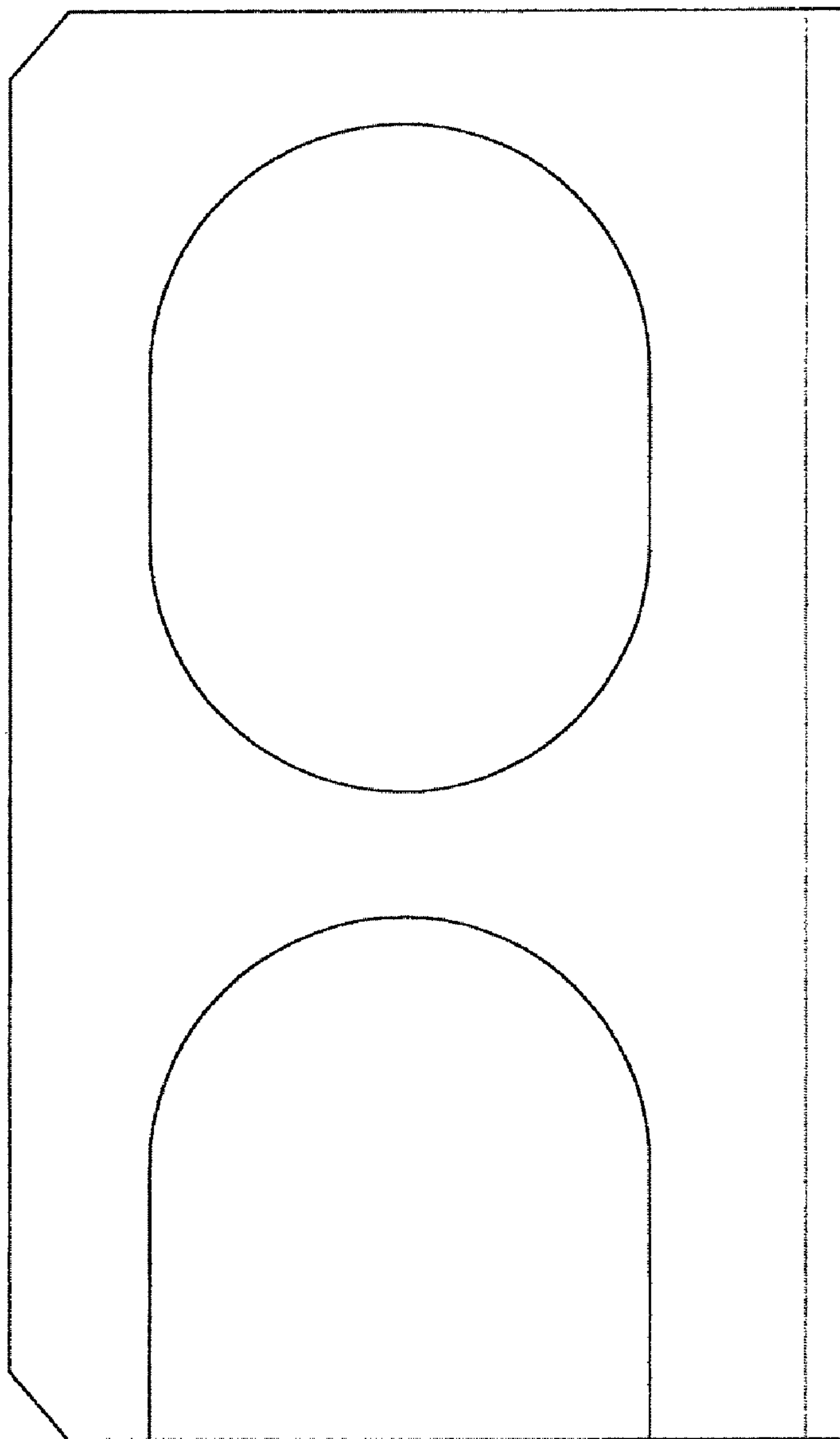


FIG. 2

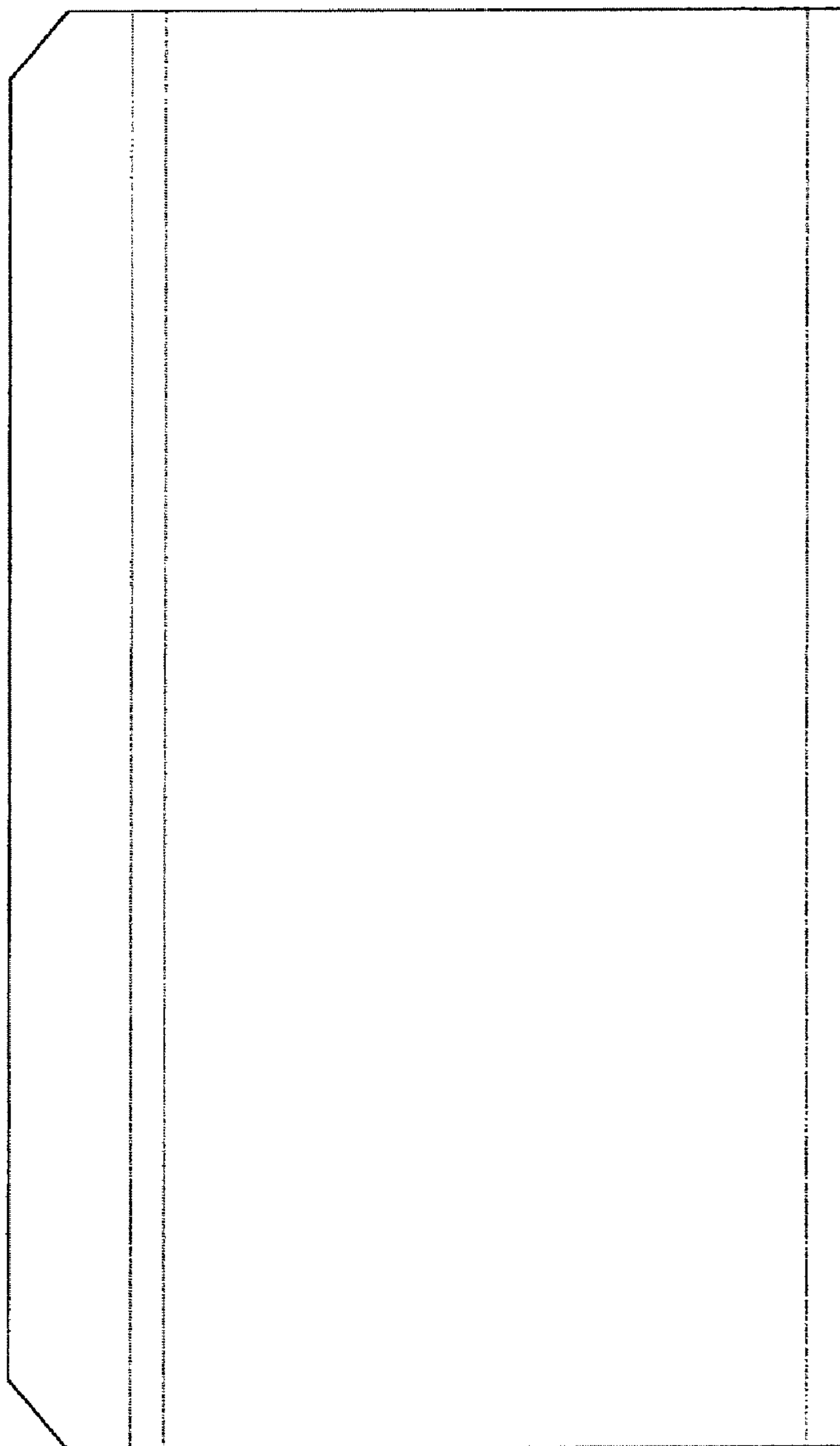


FIG. 3

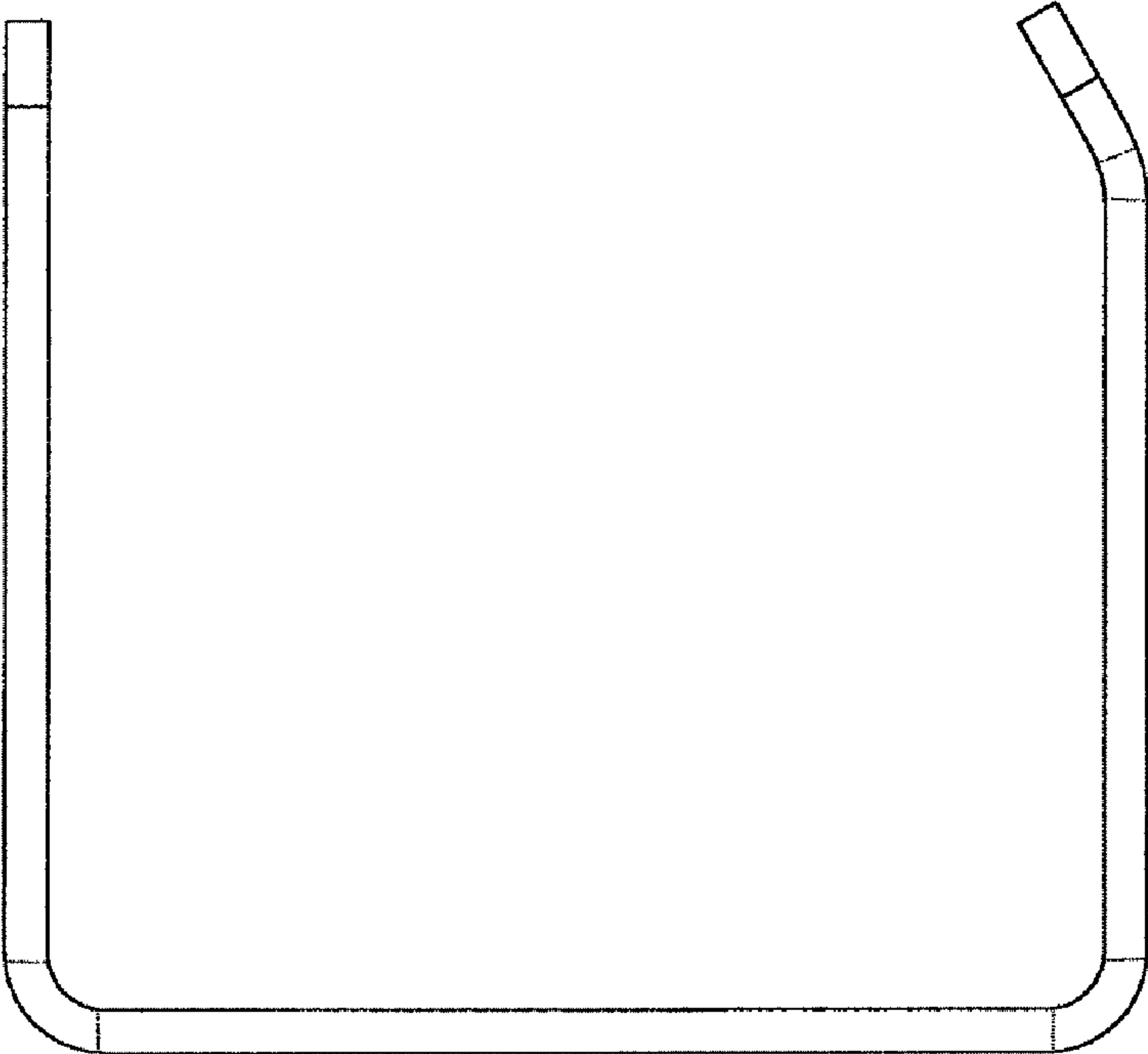


FIG. 4

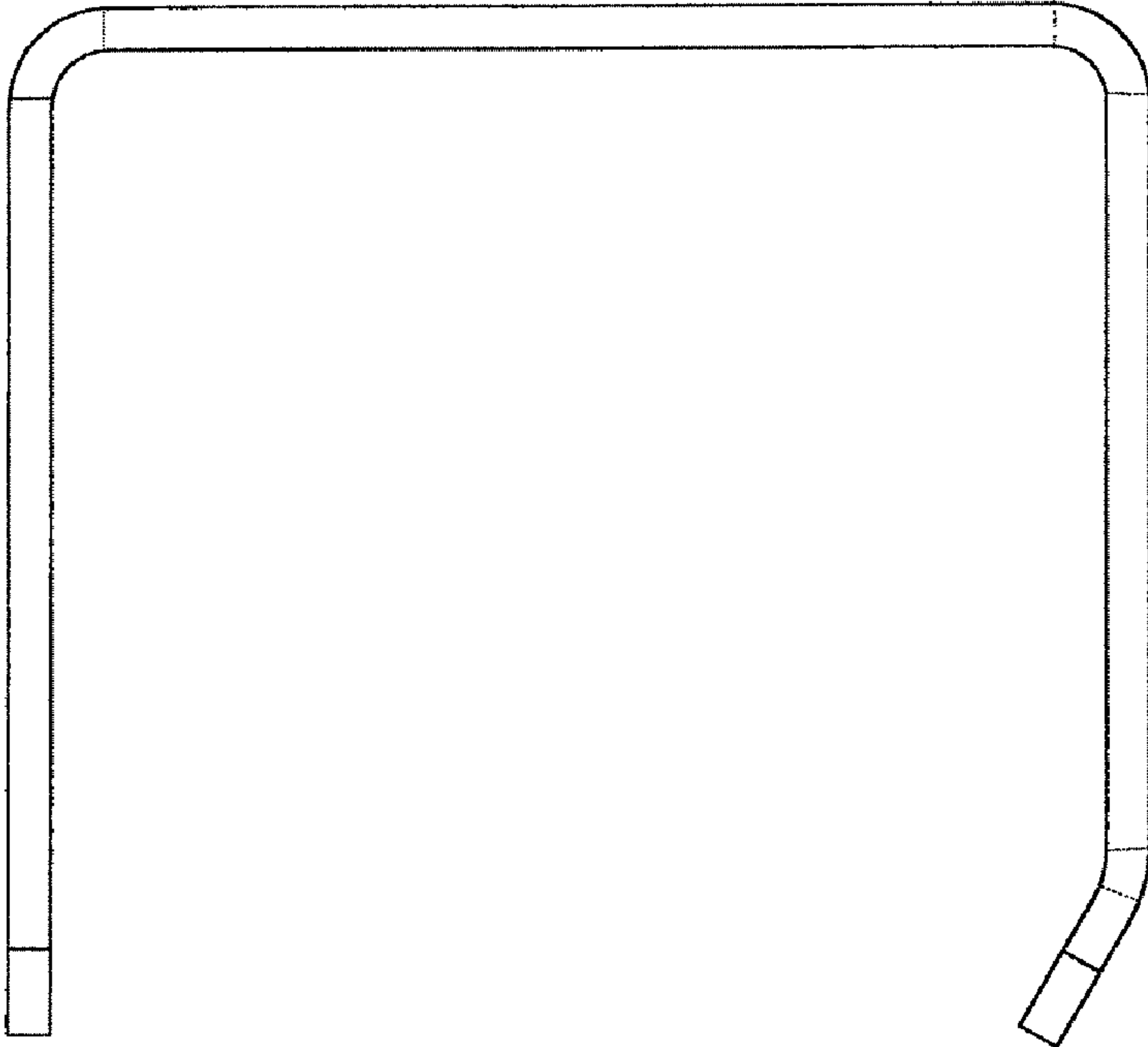


FIG. 5

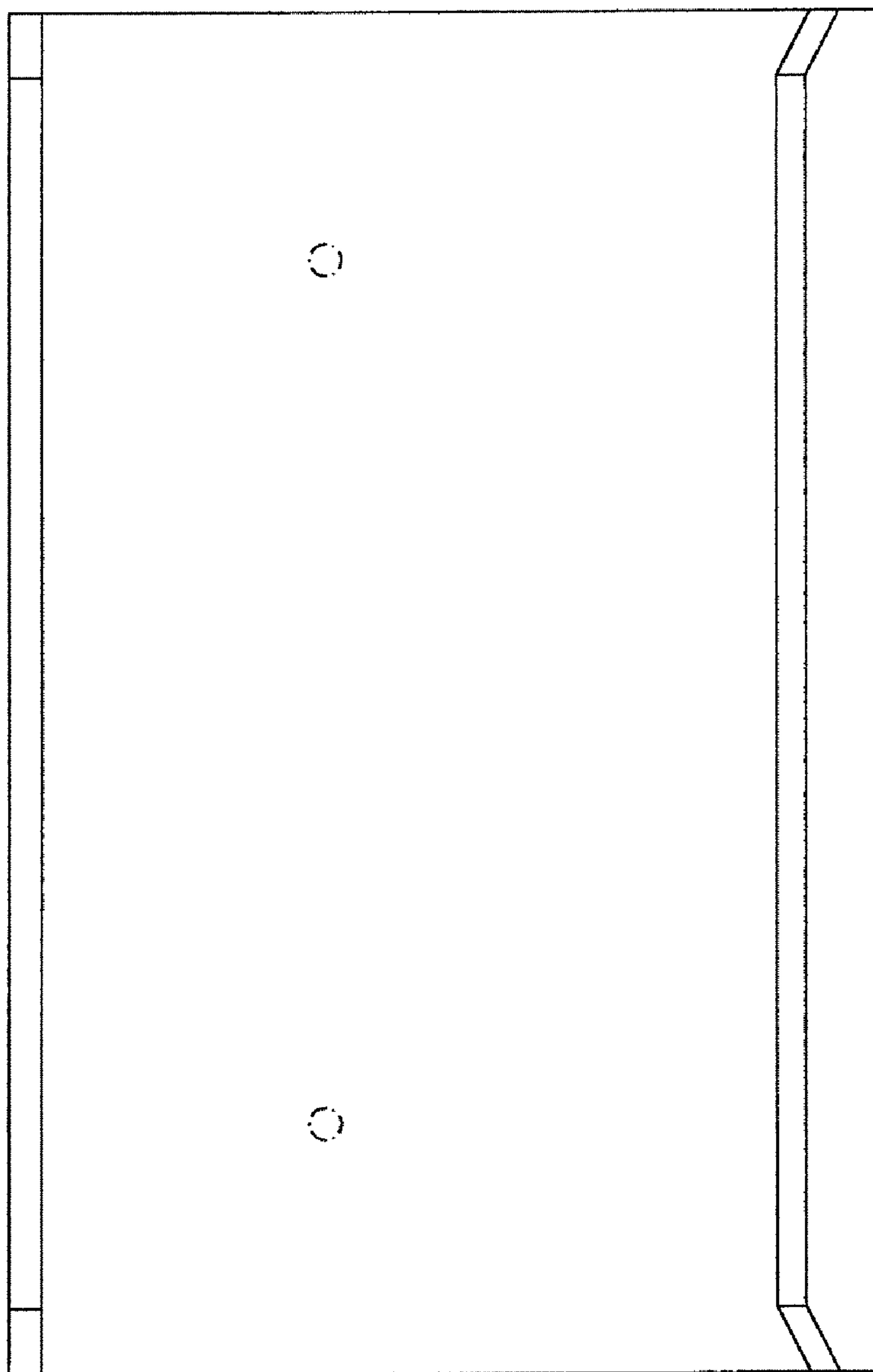


FIG. 6

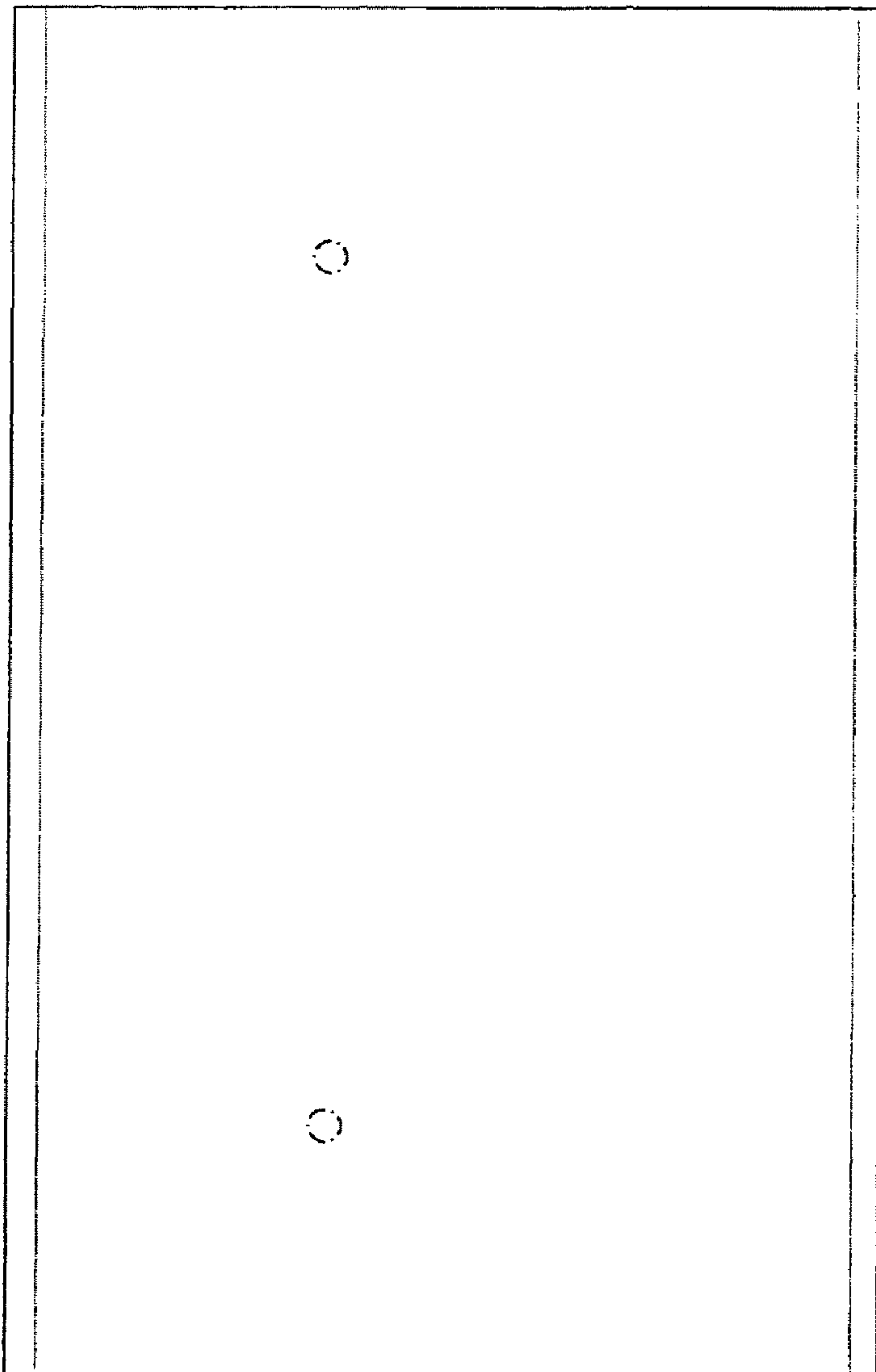


FIG. 7



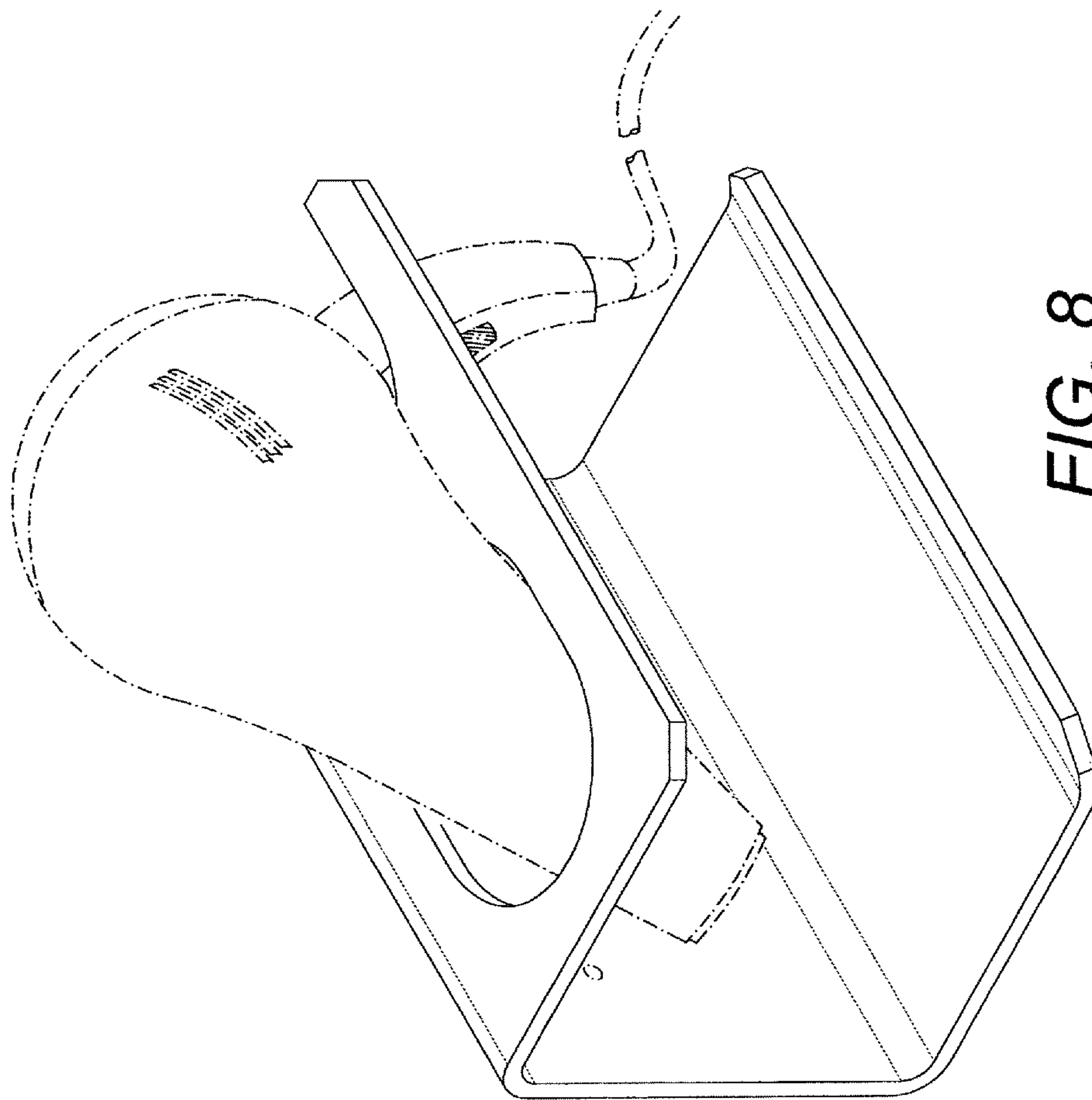


FIG. 8