



US00D642730S

(12) **United States Design Patent**
Leadford et al.

(10) **Patent No.:** **US D642,730 S**

(45) **Date of Patent:** **** Aug. 2, 2011**

(54) **LUMINAIRE**

(75) Inventors: **Kevin Franklin Leadford**, Evergreen,
CO (US); **Carl T. Gould**, Golden, CO
(US); **Peter K. Nelson**, Denver, CO (US)

(73) Assignee: **ABL IP Holding LLC**, Conyers, GA
(US)

(**) Term: **14 Years**

(21) Appl. No.: **29/369,765**

(22) Filed: **Sep. 13, 2010**

(51) **LOC (9) Cl.** **26-99**

(52) **U.S. Cl.** **D26/138**

(58) **Field of Classification Search** D26/118,
D26/138, 2, 24, 26, 28, 37, 74, 142, 152,
D26/63, 68, 140, 80, 72, 76, 78, 92, 113,
D26/119, 120, 121, 122, 123, 124, 128, 129,
D26/130, 145, 147, 153, 154, 155, 65, 71,
D26/85, 88, 89, 90, 84, 75, 107, 87; 362/394,
362/364, 365, 147, 418, 293, 362, 326, 290,
362/249.01-249.11, 148, 396, 287, 275,
362/276; 250/342, 347; D25/123, 138; 439/111,
439/121, 122, 119, 120; D13/134, 179, 180,
D13/133

See application file for complete search history.

(56) **References Cited**

U.S. PATENT DOCUMENTS

2,437,579	A *	3/1948	Wilson	439/118
D175,933	S *	11/1955	Crockett	D26/60
2,724,095	A *	11/1955	Rudner	439/683
D222,748	S *	12/1971	Strianese	D26/24
D310,511	S *	9/1990	Bedocs et al.	D13/133
5,340,322	A *	8/1994	Poulsen	439/111
5,455,754	A *	10/1995	Hoffner	362/249.07
D369,587	S *	5/1996	Ott	D13/147
D373,568	S *	9/1996	Bloom et al.	D13/133
D450,405	S *	11/2001	Demshki	D26/63
6,340,233	B1 *	1/2002	Shieh	362/102

D465,038	S *	10/2002	Bragg et al.	D26/27
D544,388	S *	6/2007	Chisholm	D10/114
D548,373	S *	8/2007	Handsaker	D26/24
7,258,555	B2 *	8/2007	Tiesler et al.	439/121
D567,997	S *	4/2008	Lehman et al.	D26/141
D568,516	S *	5/2008	Hillard	D26/60
D578,686	S *	10/2008	Dalton	D26/37
D579,131	S *	10/2008	Handsaker	D26/24
D581,080	S *	11/2008	Mier-Langner	D26/72
D581,570	S *	11/2008	Levine	D26/62

(Continued)

Primary Examiner — Cathron C. Brooks

Assistant Examiner — Kevin Rudzinski

(74) *Attorney, Agent, or Firm* — Kikpatrick Townsend &
Stockton LLP

(57) **CLAIM**

The ornamental design for a luminaire, as shown and
described.

DESCRIPTION

FIG. 1 is a bottom perspective view an embodiment of a
luminaire.

FIG. 2 is a front elevation view of the luminaire of FIG. 1.

FIG. 3 is a back elevation view of the luminaire of FIG. 1.

FIG. 4 is a right side elevation view of the luminaire of FIG.
1.

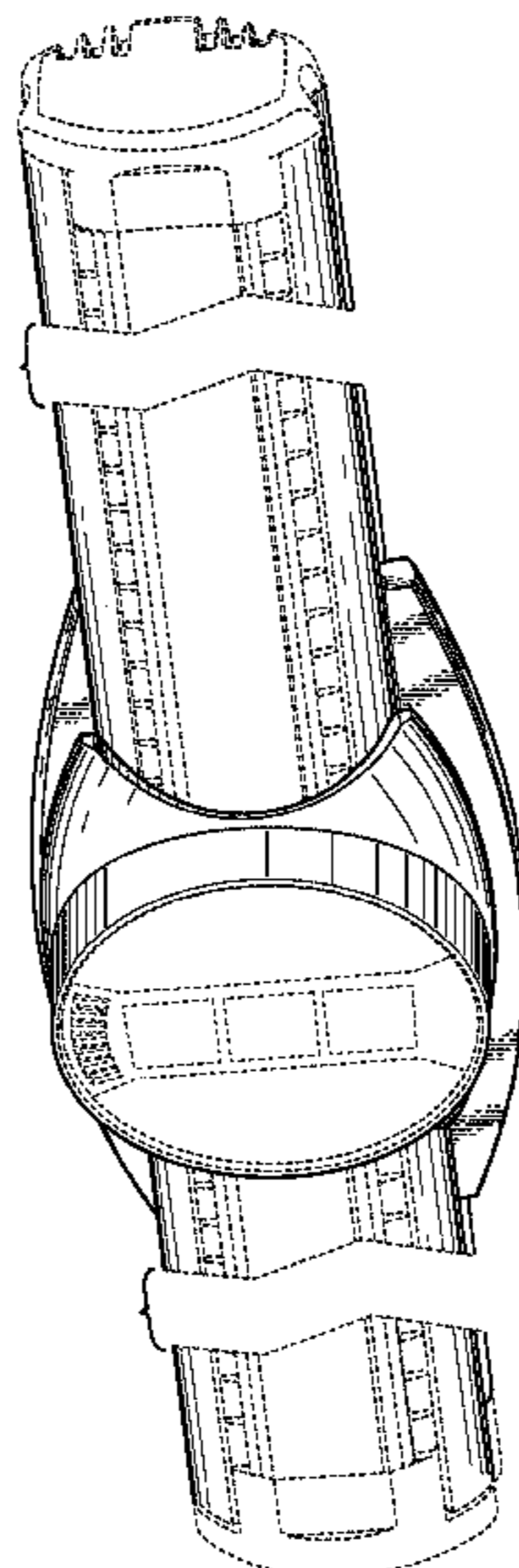
FIG. 5 is a left side elevation view of the luminaire of FIG. 1.

FIG. 6 is a top plan view of the luminaire of FIG. 1.

FIG. 7 is a bottom plan view of the luminaire of FIG. 1; and,
FIGS. 8A-8B is a bottom perspective view of the luminaire
showing a second embodiment, differing from the first
embodiment only in the length of the light rails.

The article is shown broken away to indicate an unspecified
length. Portions or features of the light rail for a luminaire not
shown in the drawings form no part of the claimed design. The
remaining broken lines in the drawings are included to illus-
trate unclaimed portions of the luminaire and form no part of
the claimed design.

1 Claim, 7 Drawing Sheets



US D642,730 S

Page 2

U.S. PATENT DOCUMENTS

7,520,762	B2 *	4/2009	Lehman et al.	439/115	D607,598	S *	1/2010	Xiao et al.	D26/80
7,585,175	B2 *	9/2009	Sinclair et al.	439/111	7,833,027	B2 *	11/2010	Jong	439/118

* cited by examiner

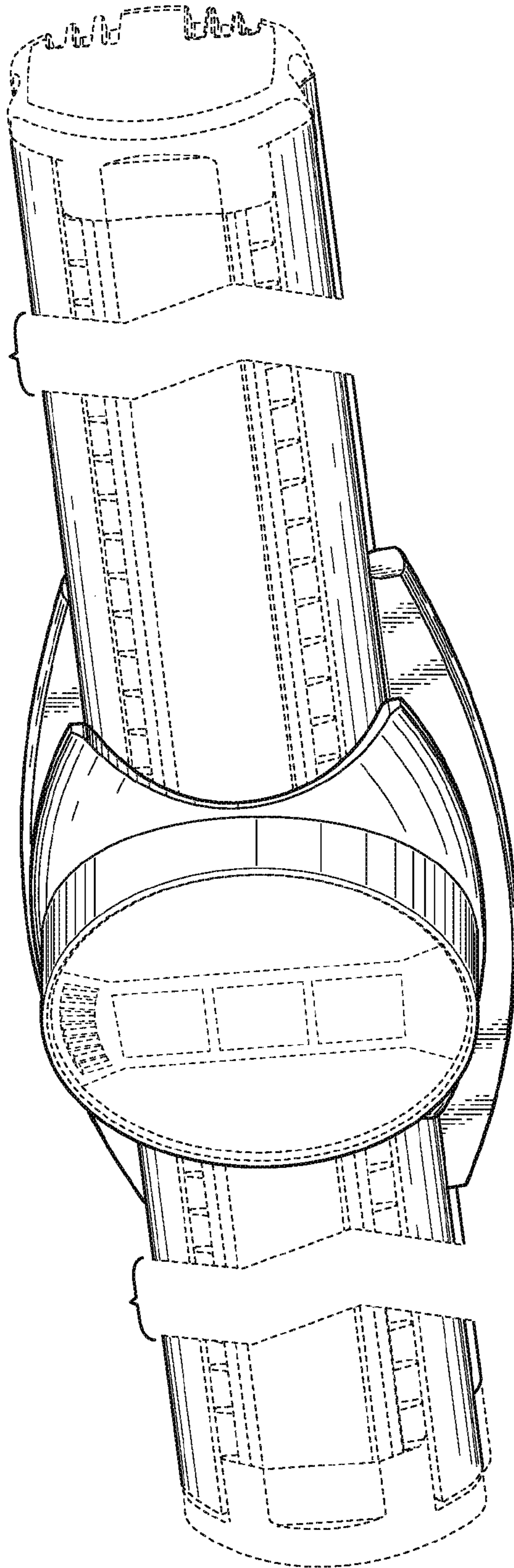


FIG. 1

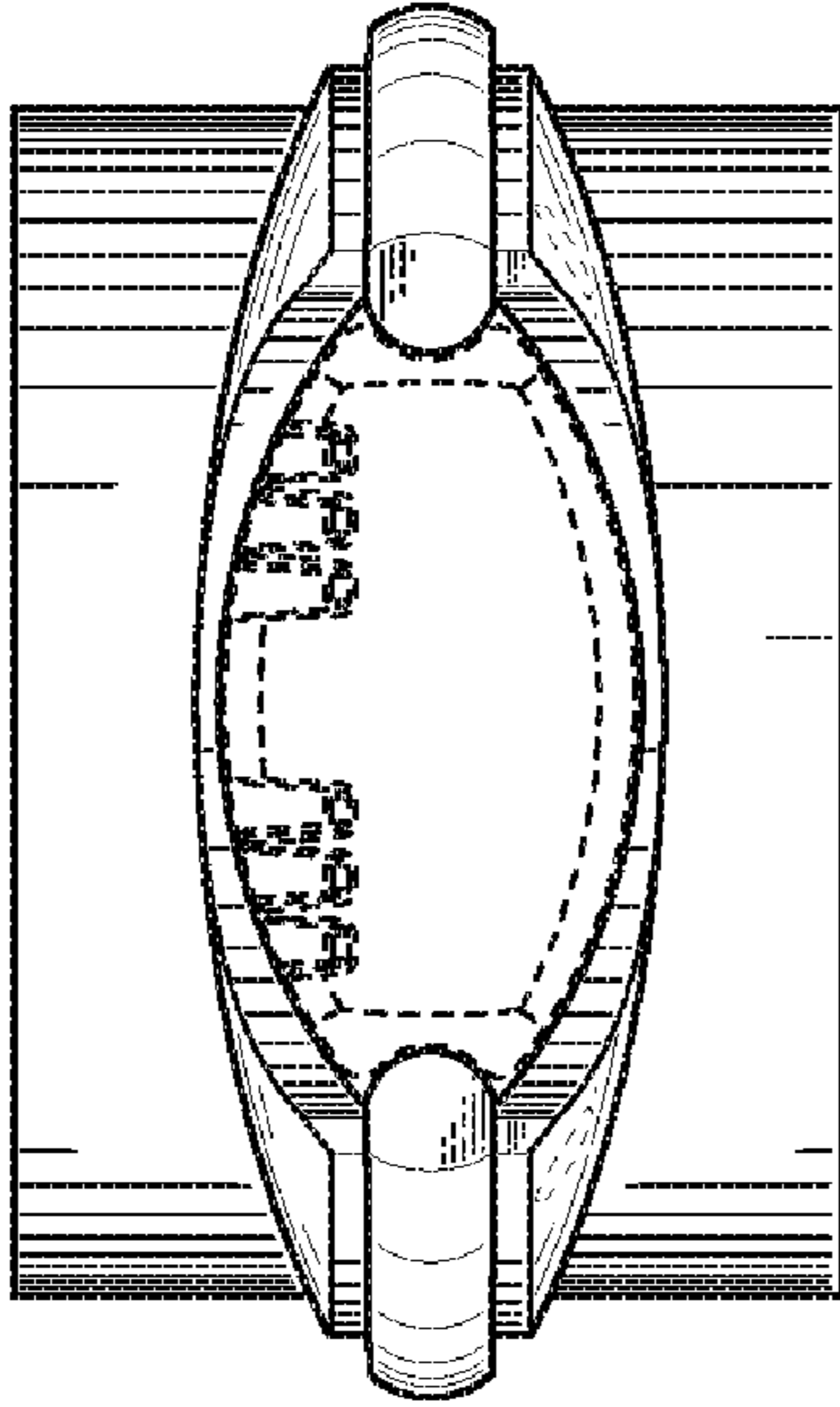


FIG. 3

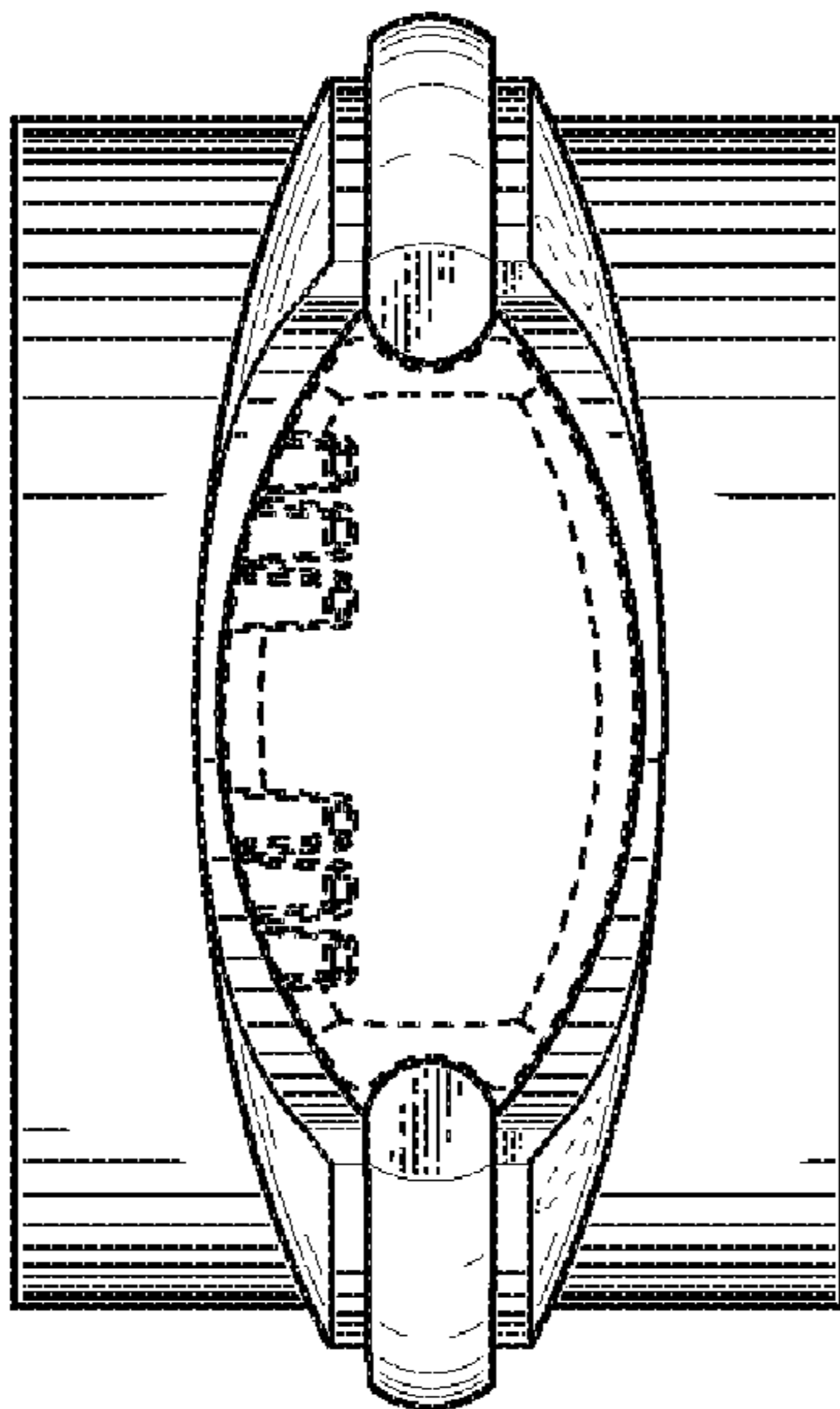


FIG. 2

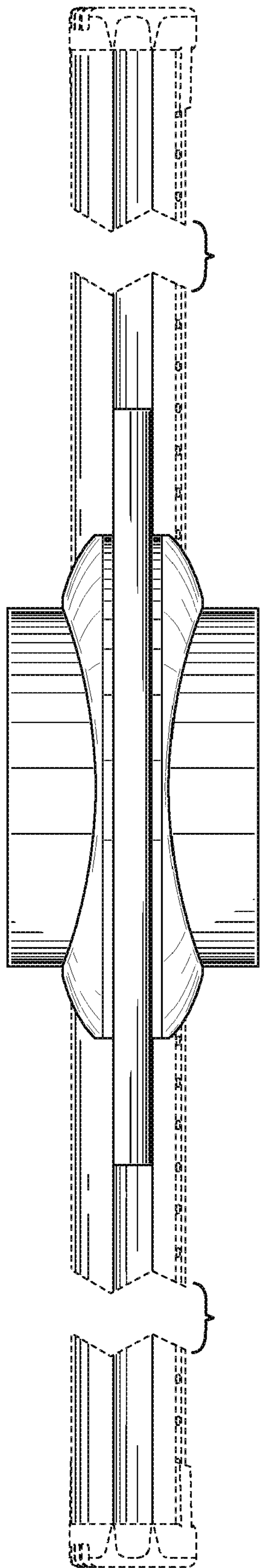


FIG. 4

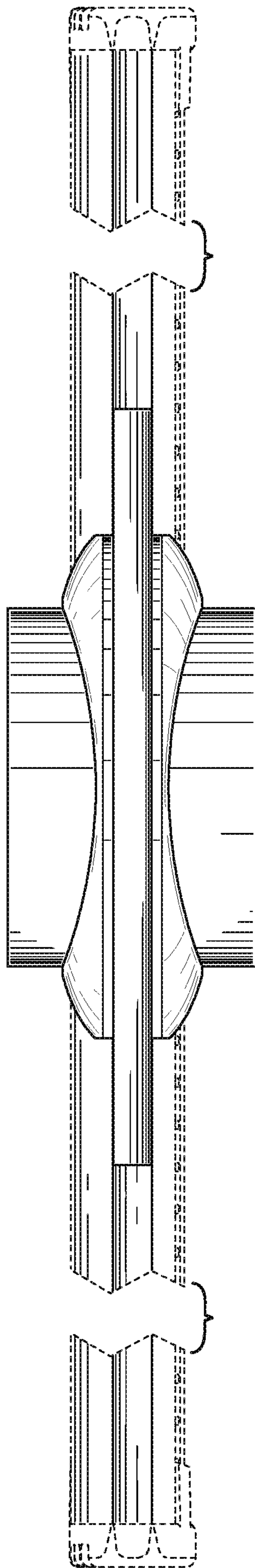


FIG. 5

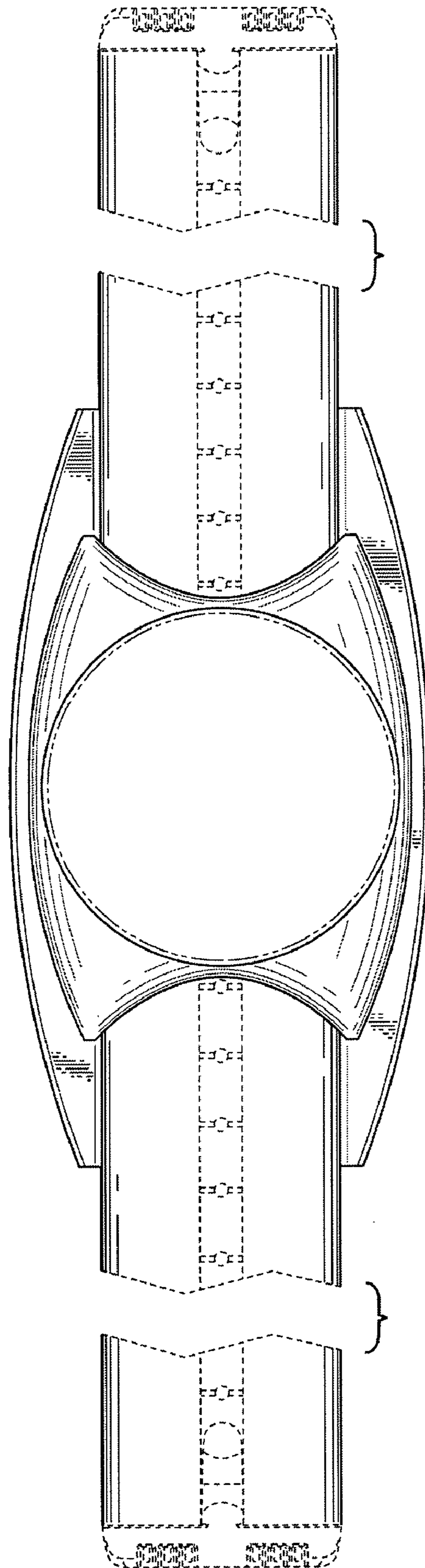


FIG. 6

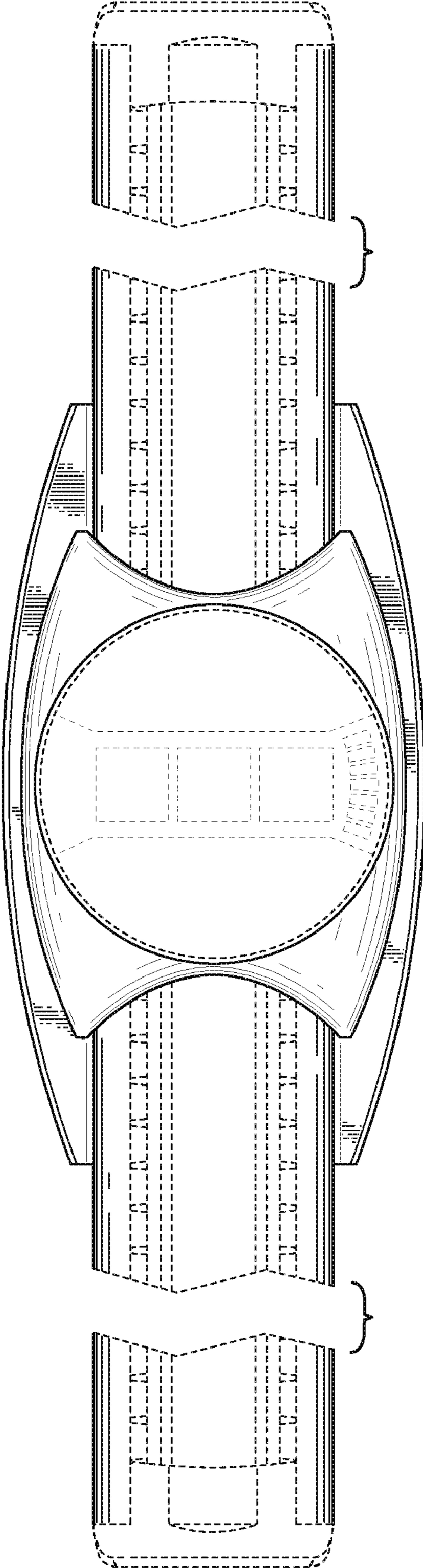


FIG. 7

MATCH LINE TO FIG. 8B

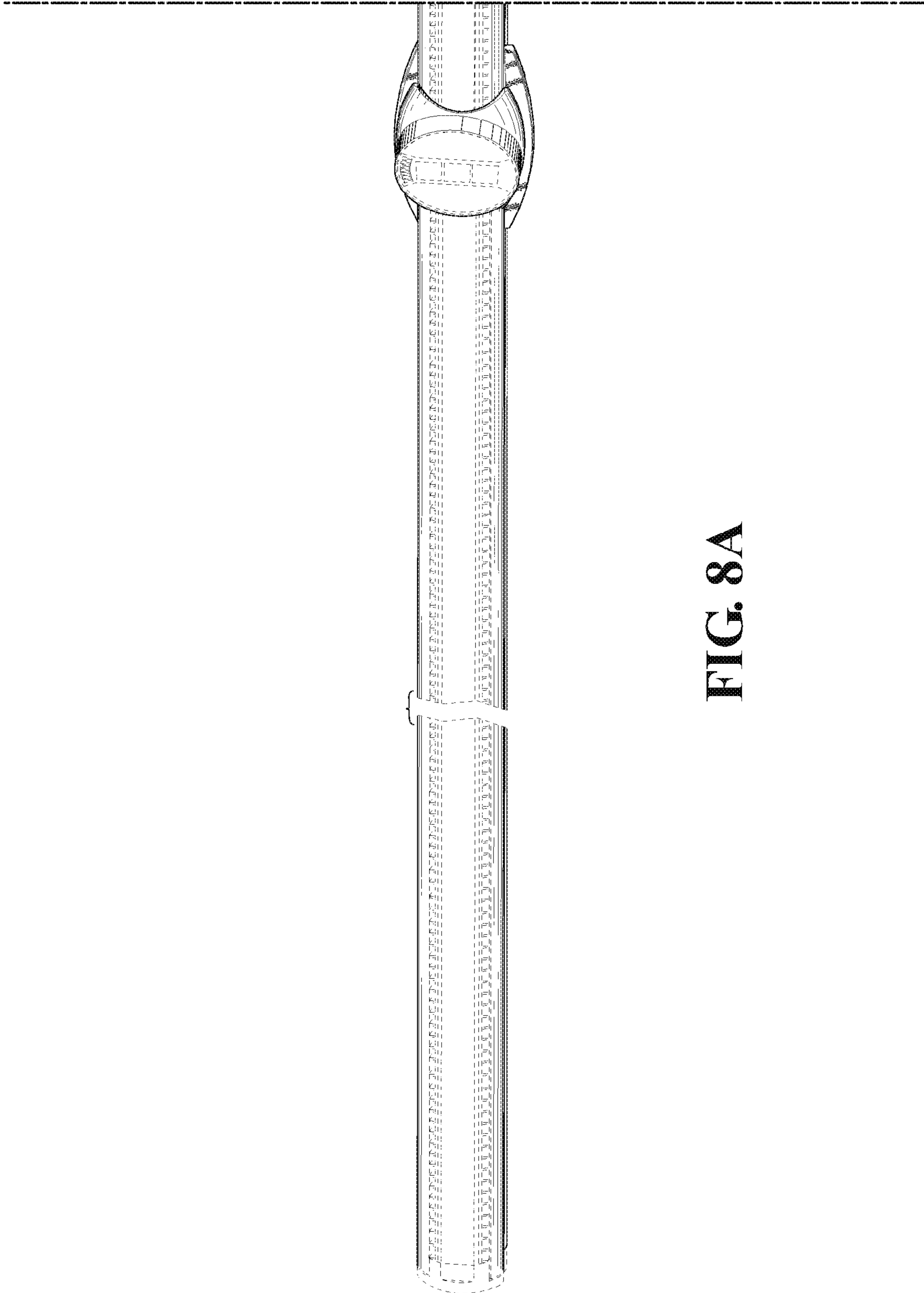


FIG. 8A

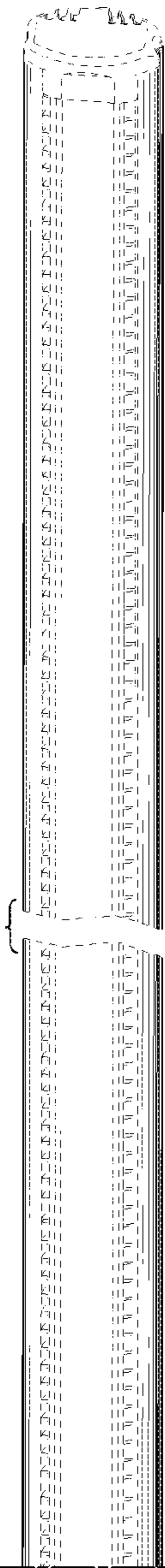


FIG. 8B

MATCH LINE TO FIG. 8A