



US00D642728S

(12) **United States Design Patent**  
**Lewis**

(10) **Patent No.:** **US D642,728 S**

(45) **Date of Patent:** **\*\* Aug. 2, 2011**

(54) **LAMP**

(76) **Inventor:** **Sally Sirkin Lewis**, Beverly Hills, CA  
(US)

(\*\*) **Term:** **14 Years**

(21) **Appl. No.:** **29/376,663**

(22) **Filed:** **Oct. 8, 2010**

(51) **LOC (9) Cl.** ..... **26-03**

(52) **U.S. Cl.** ..... **D26/110; D26/93**

(58) **Field of Classification Search** ..... D26/1,  
D26/24, 67, 93-94, 104-112; 362/3, 153,  
362/186, 217, 255, 257, 277, 317, 351, 353,  
362/362, 363, 382, 431, 433, 458, 806

See application file for complete search history.

(56) **References Cited**

**U.S. PATENT DOCUMENTS**

D112,639 S *	12/1938	Higgins	.....	D26/112
D391,005 S *	2/1998	Gunthert	.....	D26/110
D393,917 S *	4/1998	Hutton	.....	D26/106
D414,289 S *	9/1999	Diaz-Azcuy	.....	D26/110
D432,706 S *	10/2000	Bleisch	.....	D26/110
D433,176 S *	10/2000	Barry	.....	D26/112
D482,155 S *	11/2003	Lo	.....	D26/110

D484,271 S *	12/2003	Chandler	.....	D26/93
D501,577 S *	2/2005	Hutton et al.	.....	D26/110
D589,206 S *	3/2009	Sabernig	.....	D26/110

\* cited by examiner

*Primary Examiner* — Brian N Vinson

(74) *Attorney, Agent, or Firm* — Cox Smith Matthews Inc.

(57) **CLAIM**

The ornamental design for a lamp, as shown and described.

**DESCRIPTION**

FIG. 1 is a perspective view of the lamp of my design. The broken lines representing stitching are a part of the claimed design;

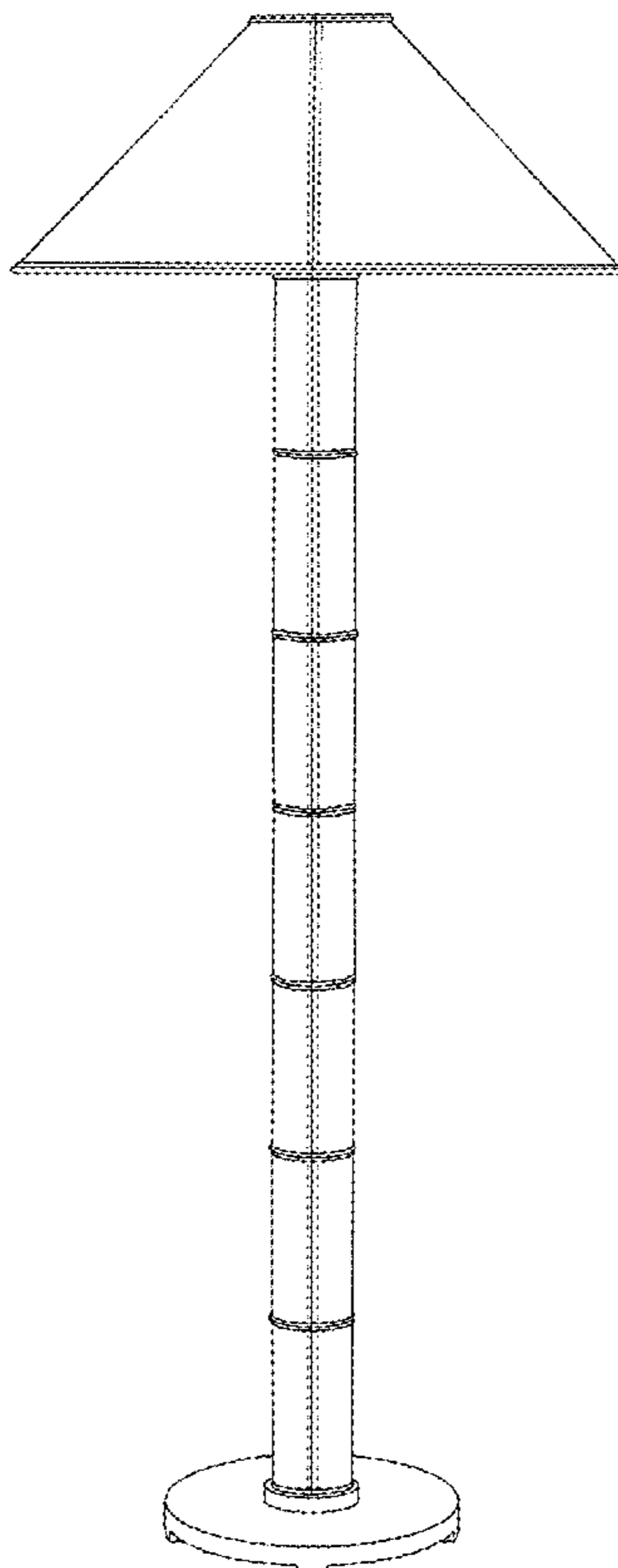
FIG. 2 is a top view of the lamp. The broken lines representing stitching are a part of the claimed design;

FIG. 3 is a bottom view of the lamp. The broken lines representing a power cord form no part of the claimed design;

FIG. 4 is a front view of the lamp (the back side view, being a mirror image of the front view, is not shown); and,

FIG. 5 is a right side view of the lamp (the left side view, being a mirror image of the right side view, is not shown). The broken lines representing stitching are a part of the claimed design.

**1 Claim, 2 Drawing Sheets**



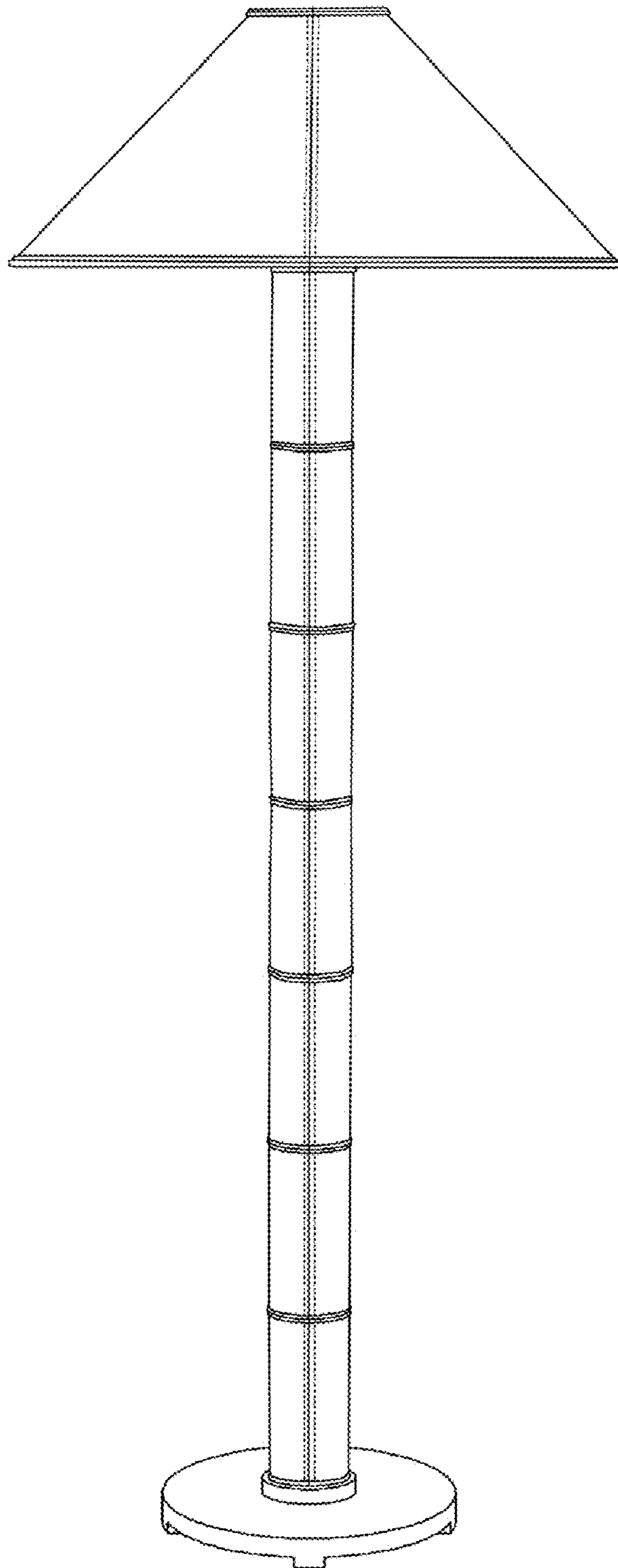


FIG. 1

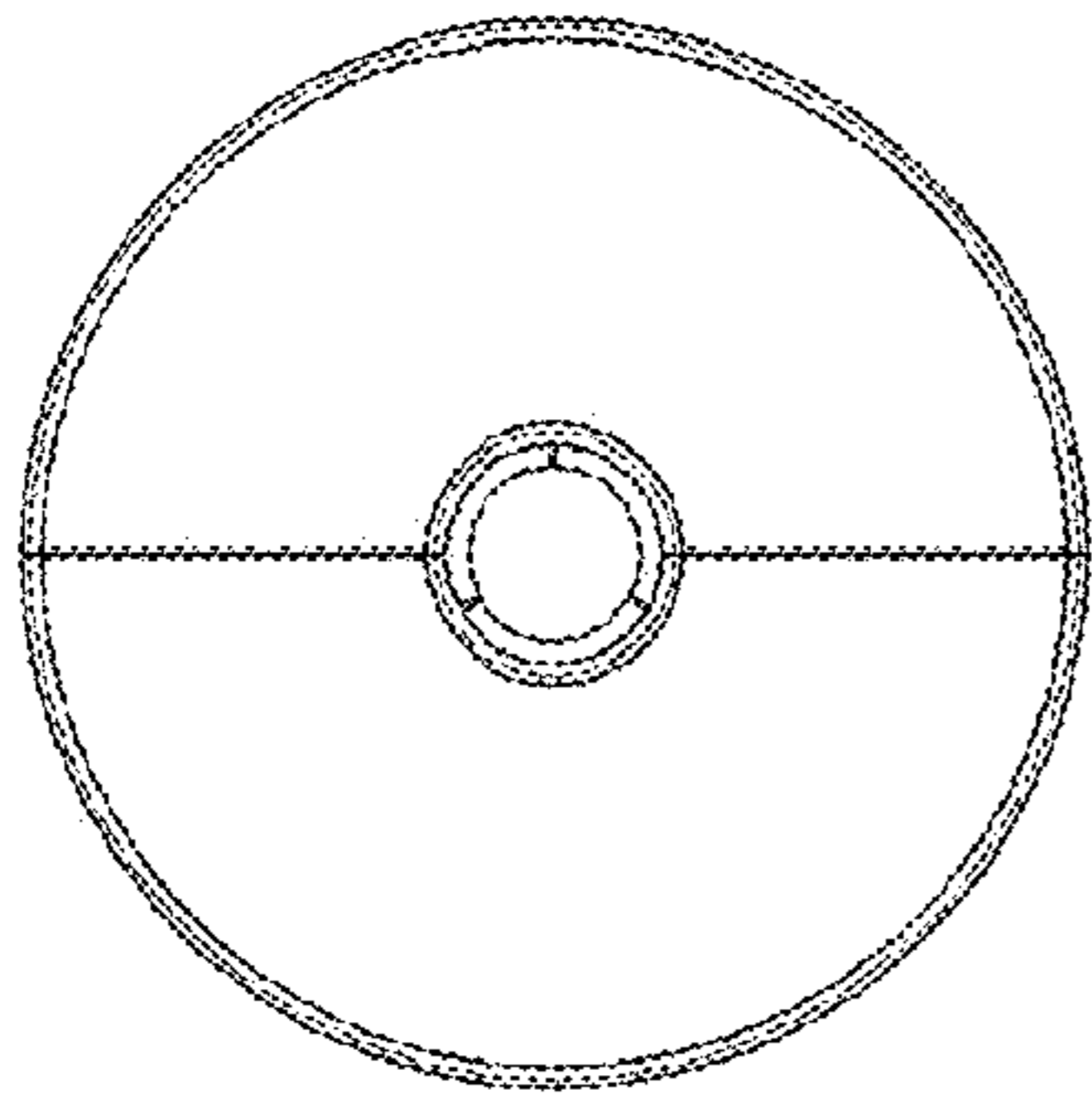


FIG. 2

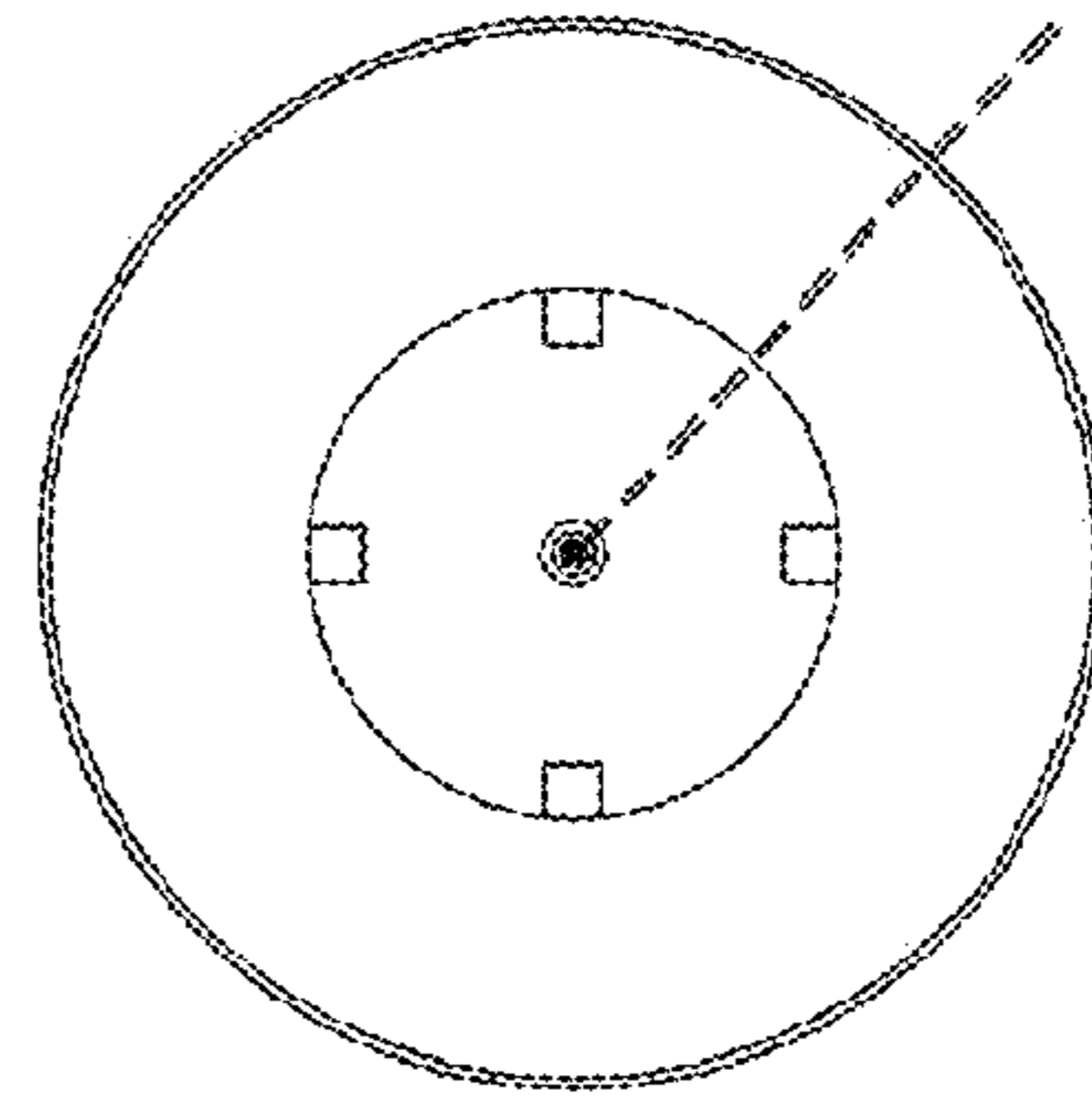


FIG. 3

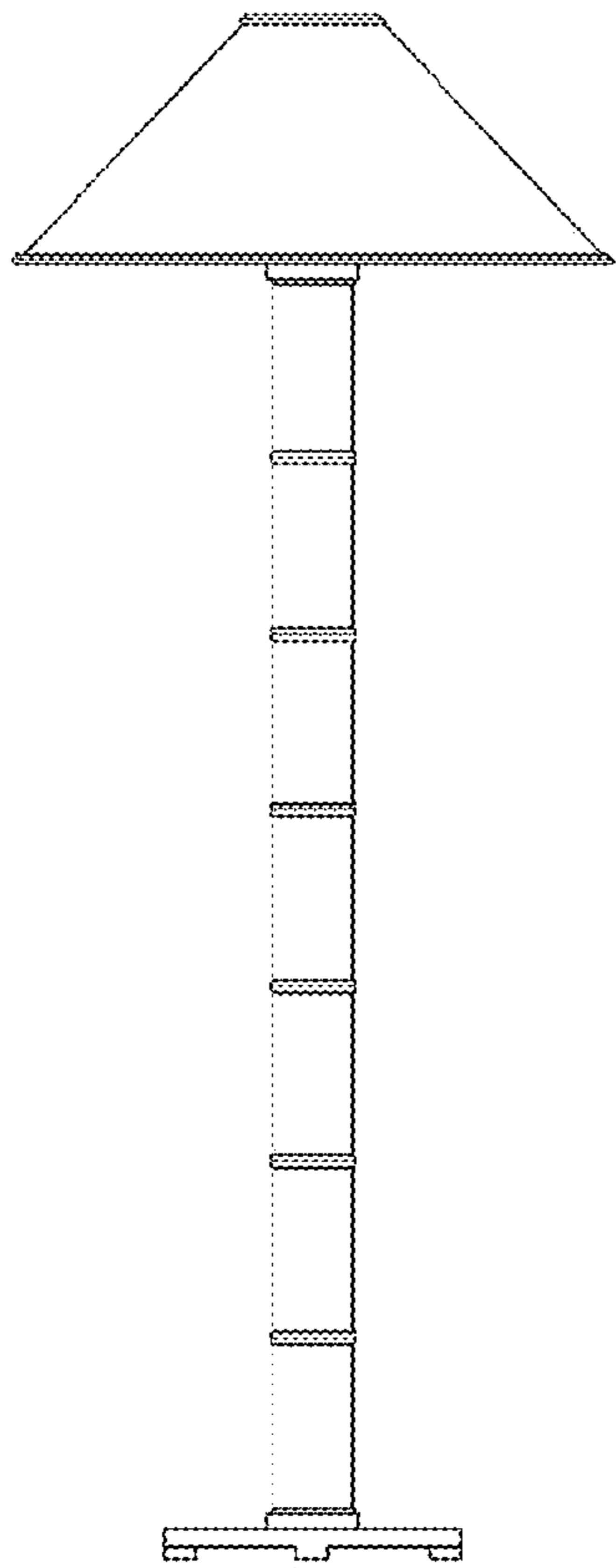


FIG. 4

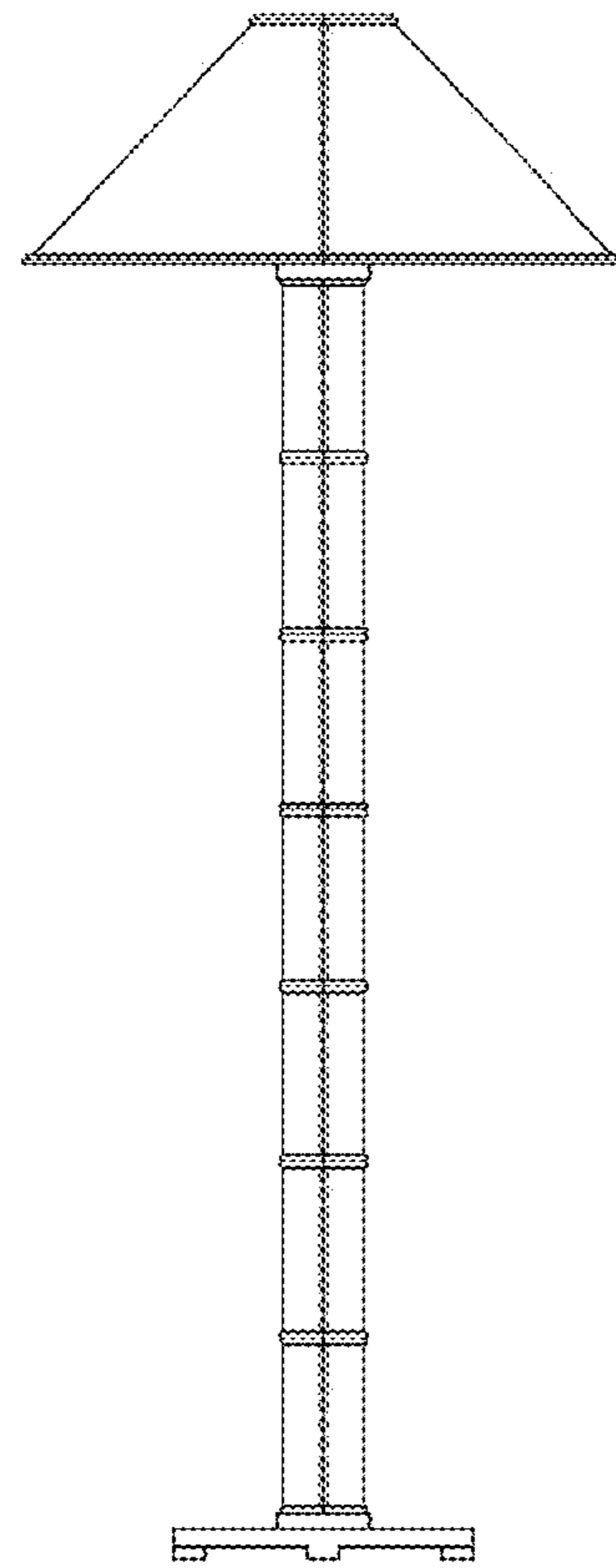


FIG. 5