



US00D642727S

(12) **United States Design Patent**
van den Akker

(10) **Patent No.:** **US D642,727 S**

(45) **Date of Patent:** **** Aug. 2, 2011**

(54) **LUMINAIRE**

(75) Inventor: **Emmanuel van den Akker,**
Moerbeke-Waas (BE)

(73) Assignee: **Koninklijke Philips Electronics N.V.,**
Eindhoven (NL)

(**) Term: **14 Years**

(21) Appl. No.: **29/363,208**

(22) Filed: **Jun. 7, 2010**

(30) **Foreign Application Priority Data**

Dec. 7, 2009 (EM) 001644162-0004

(51) **LOC (9) Cl.** **26-03**

(52) **U.S. Cl.** **D26/85**

(58) **Field of Classification Search** D26/63,
D26/68, 79, 85, 87, 92; 362/147, 404-408,
362/431, 432

See application file for complete search history.

(56) **References Cited**

U.S. PATENT DOCUMENTS

D239,858 S *	5/1976	Scarpa	D26/87
D266,958 S *	11/1982	Gernhardt	D26/92
D288,136 S *	2/1987	Pfister	D26/87
D320,461 S *	10/1991	Pagani et al.	D26/87
D321,950 S *	11/1991	Enthoven	D26/92
D501,945 S *	2/2005	Friedman et al.	D26/71
D522,686 S *	6/2006	Lee	D26/142
D561,927 S *	2/2008	Hoernig	D26/87

D576,342 S *	9/2008	Sole	D26/92
D609,389 S *	2/2010	Sabernig	D26/87
D626,272 S *	10/2010	Verelst	D26/85
D627,094 S *	11/2010	Verelst	D26/85

OTHER PUBLICATIONS

METHAI 2-light wall sconce #16344 shown on pp. 50-51 of the Eurofase Illuminations Catalog#EF-09, © 2009. (2 pages—includes rear cover of catalog).*

ZEAL 2-light wall sconce #14943 shown on p. 52 of the Eurofase Illuminations Catalog#EF-09, © 2009.*

JESCO Cirque 2-light wall sconce found at lightinguniverse.com visited Sep. 14, 2009.*

KENROY Angoli satin nickel wall sconce found at lightinguniverse.com visited Sep. 14, 2009.*

* cited by examiner

Primary Examiner — Clare E Heflin

(57) **CLAIM**

The ornamental design for a luminaire, as shown.

DESCRIPTION

FIG. 1 is a perspective view showing my design;

FIG. 2 is a front elevational view thereof;

FIG. 3 is a rear elevational view thereof;

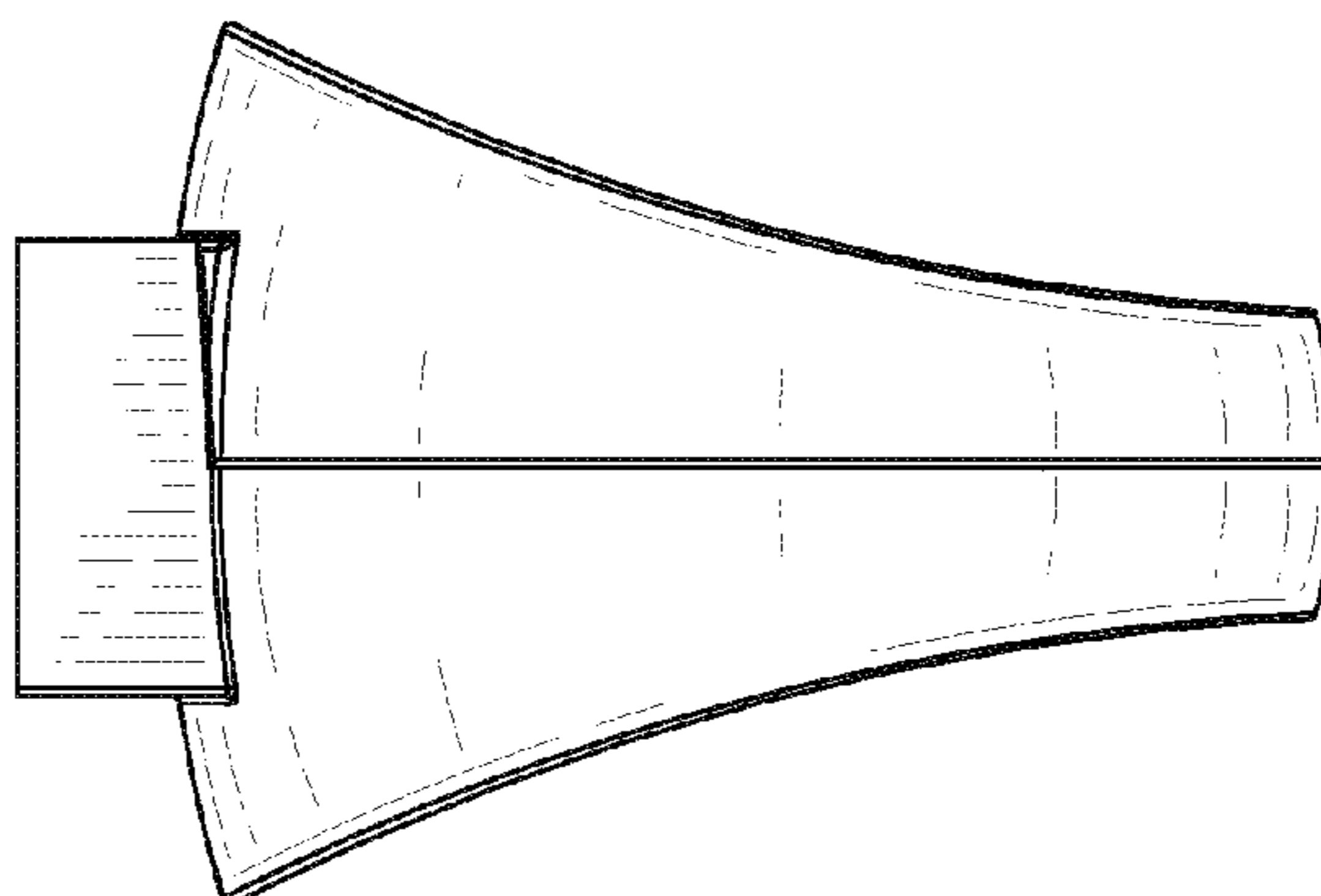
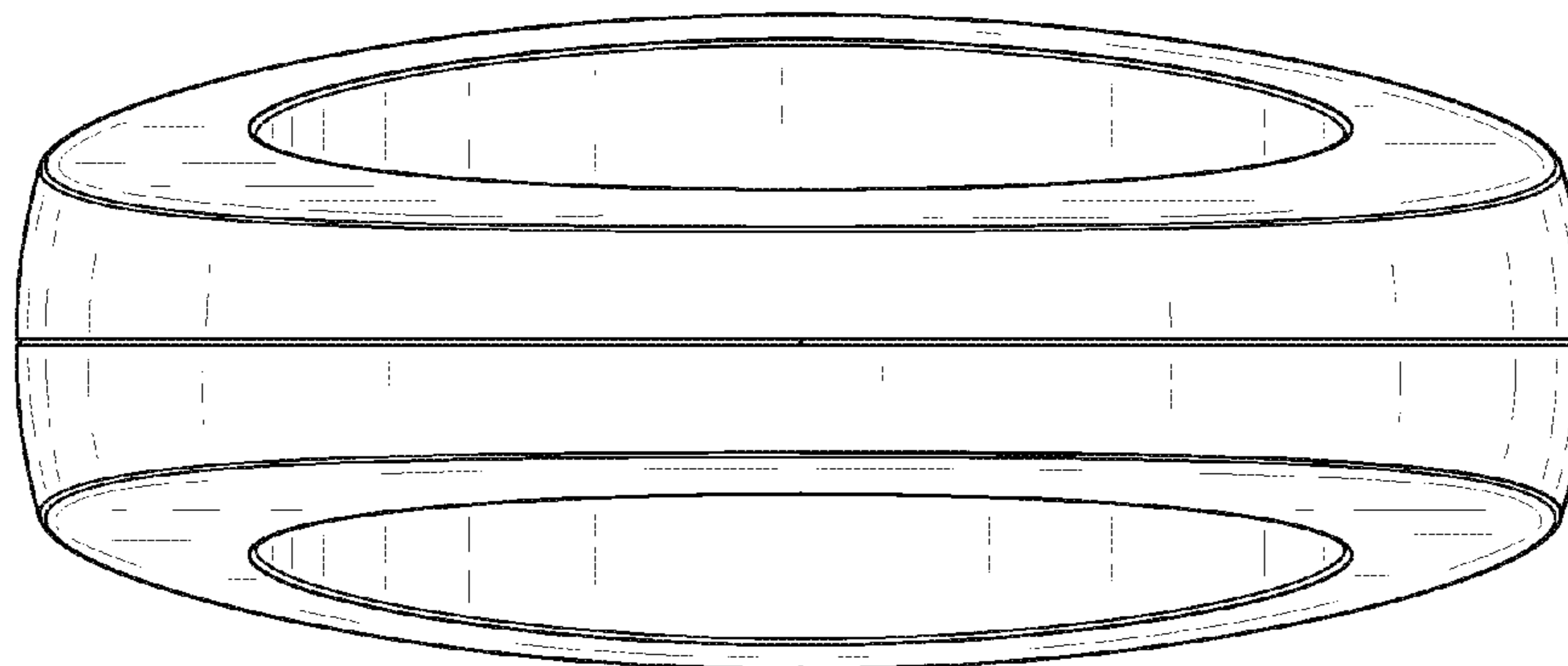
FIG. 4 is a right side elevational view thereof;

FIG. 5 is a left side elevational view thereof;

FIG. 6 is a top plan view thereof; and,

FIG. 7 is a bottom plan view thereof.

1 Claim, 4 Drawing Sheets



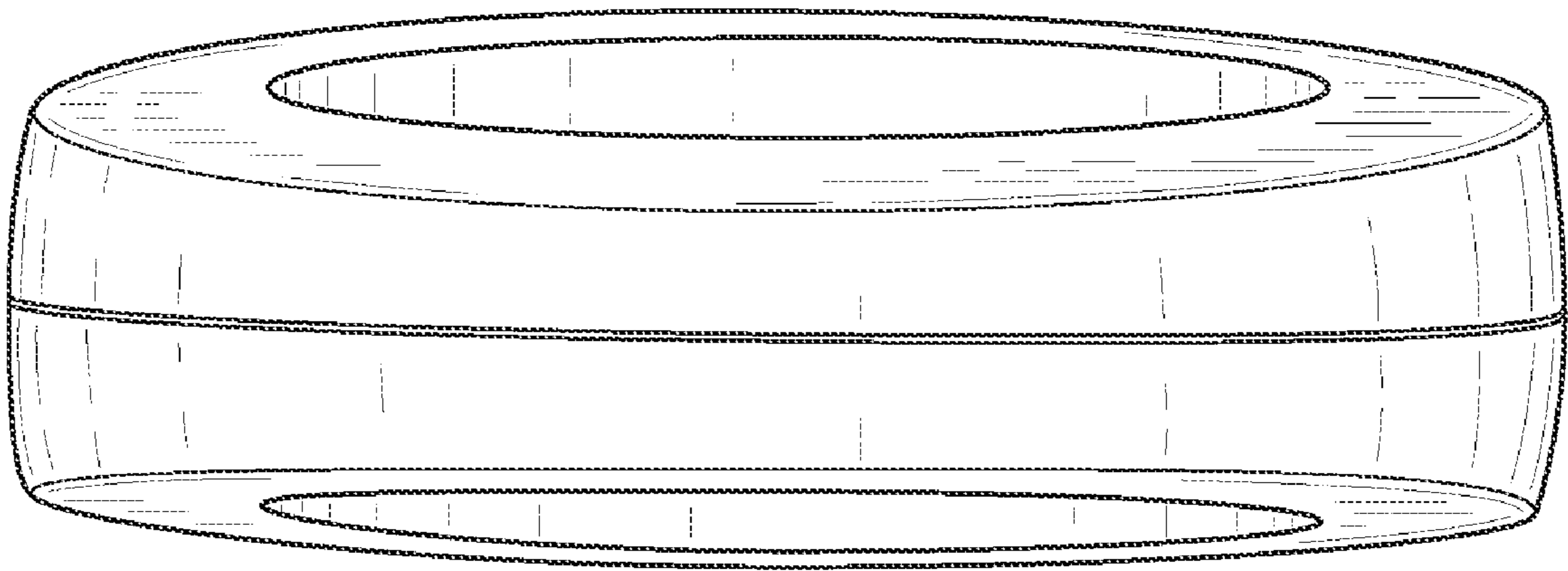


FIG. 1

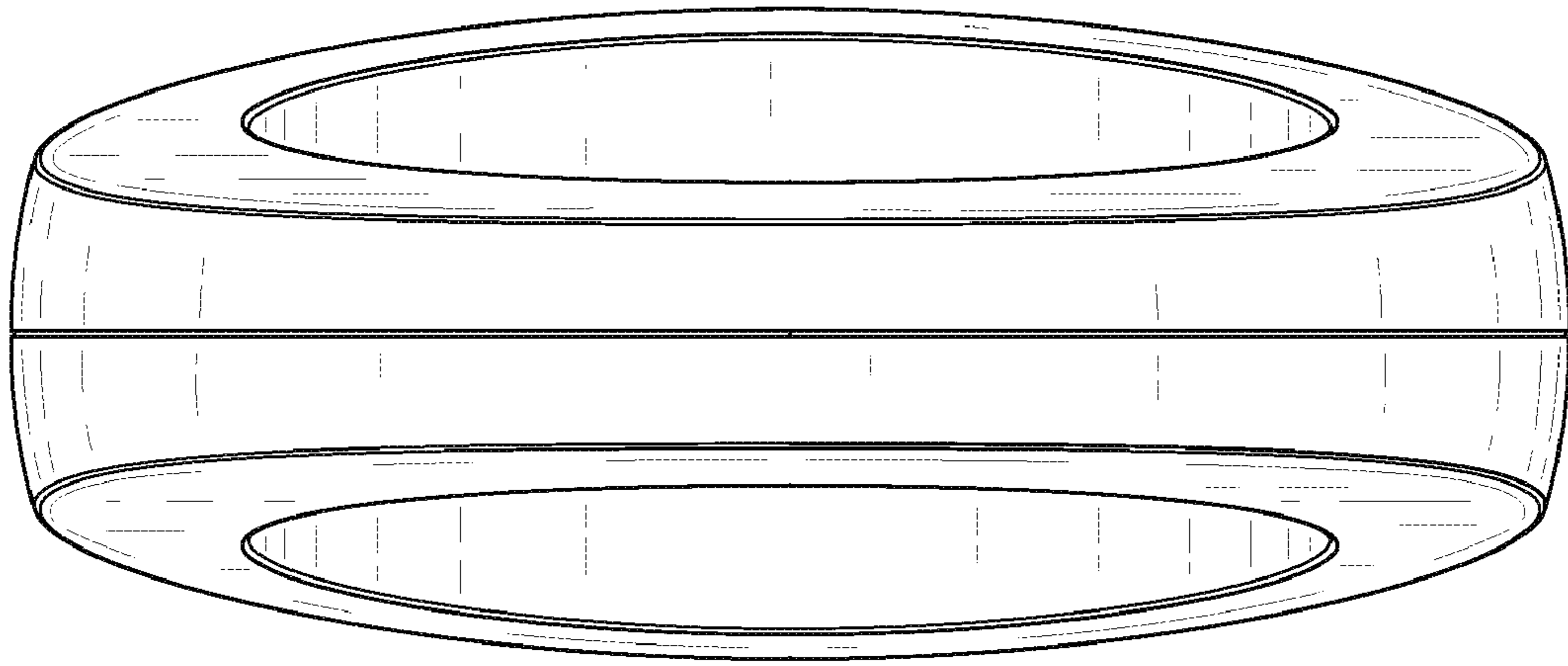


FIG. 2

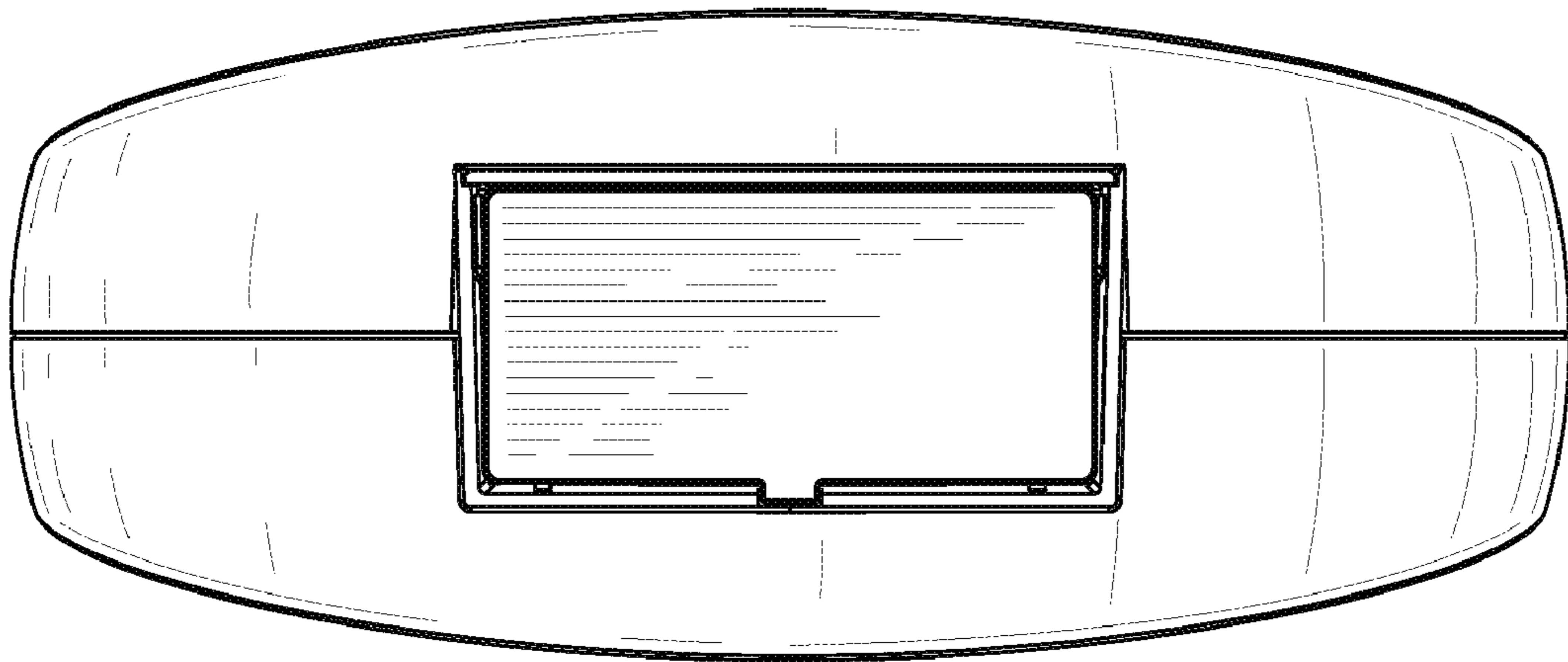


FIG. 3

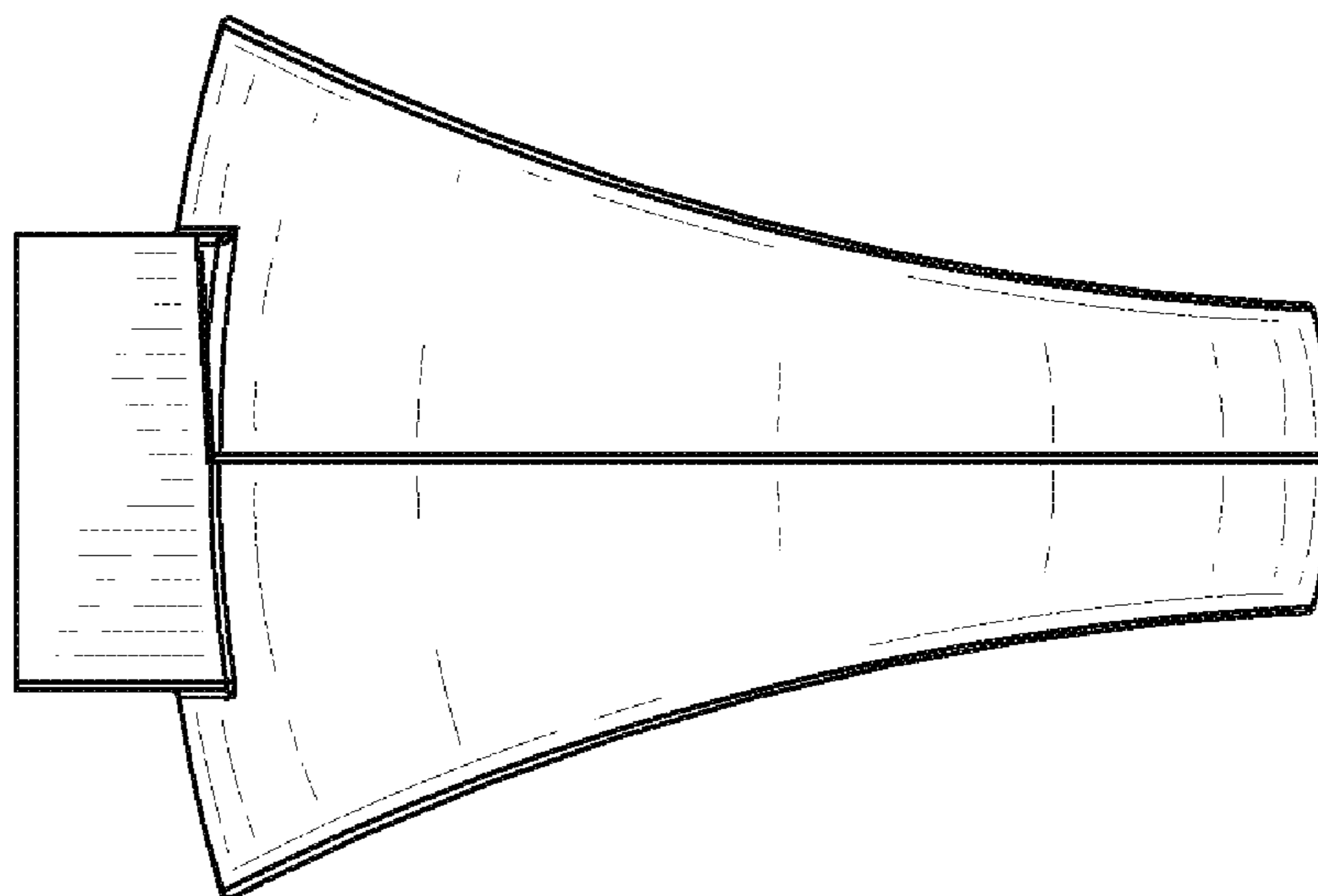


FIG. 4

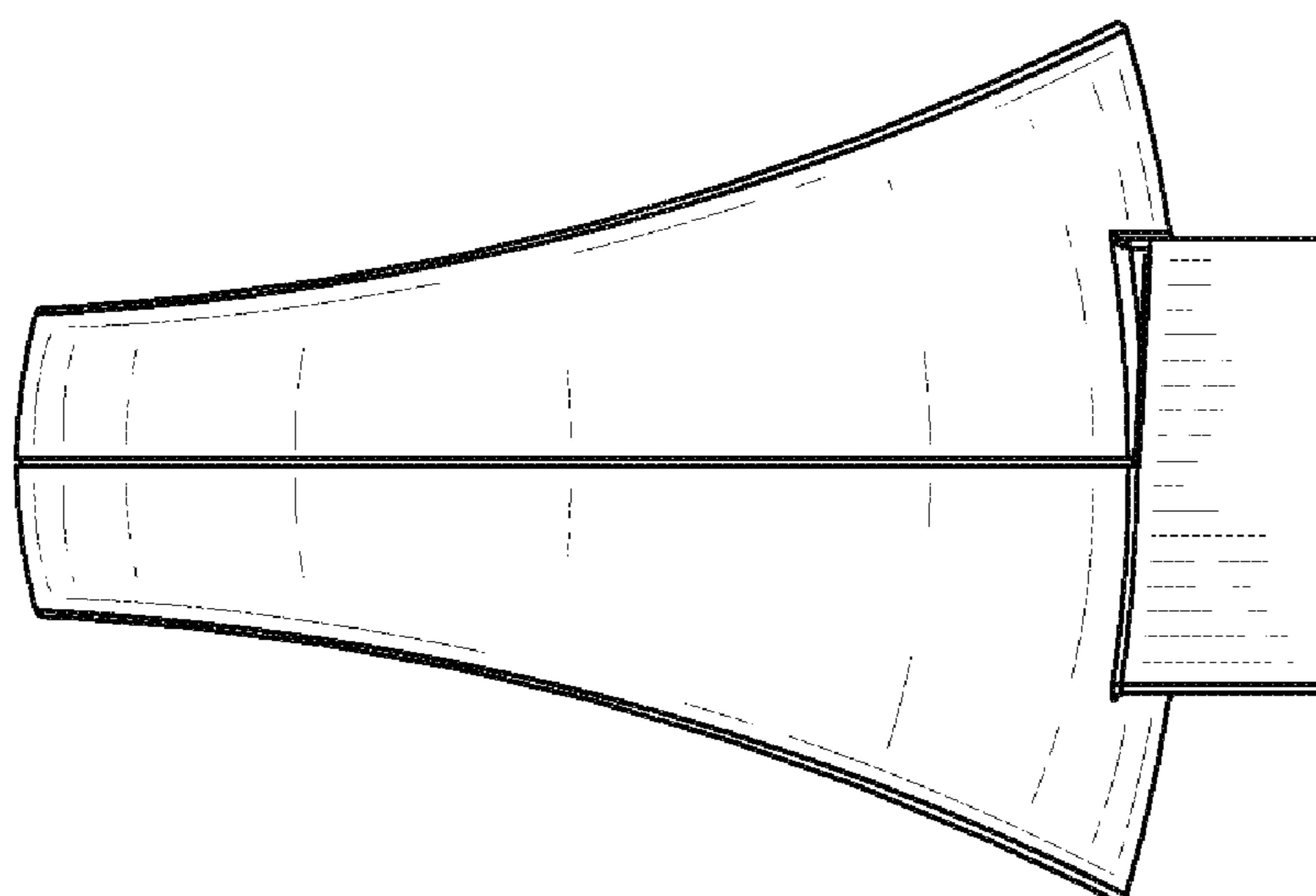


FIG. 5

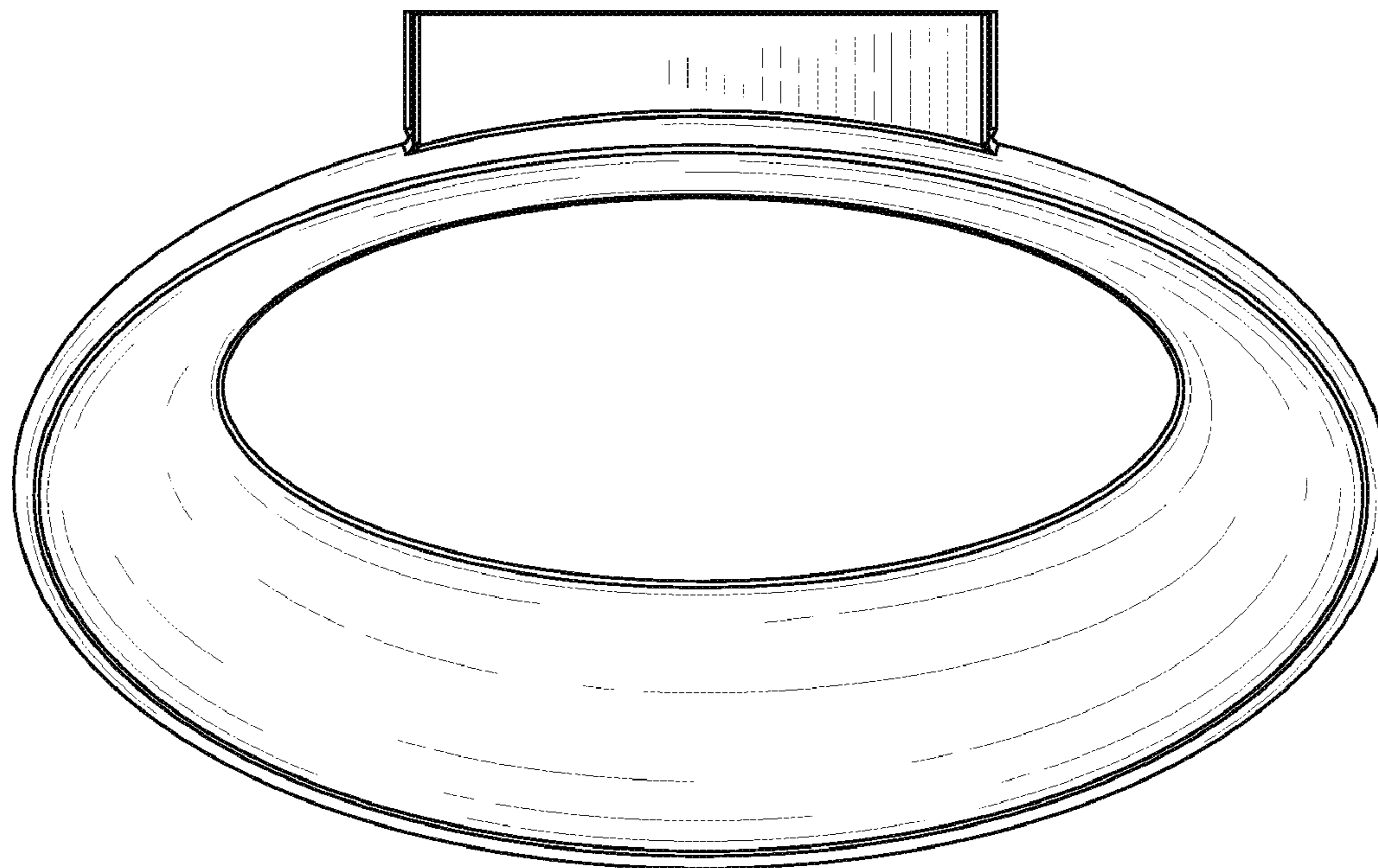


FIG. 6

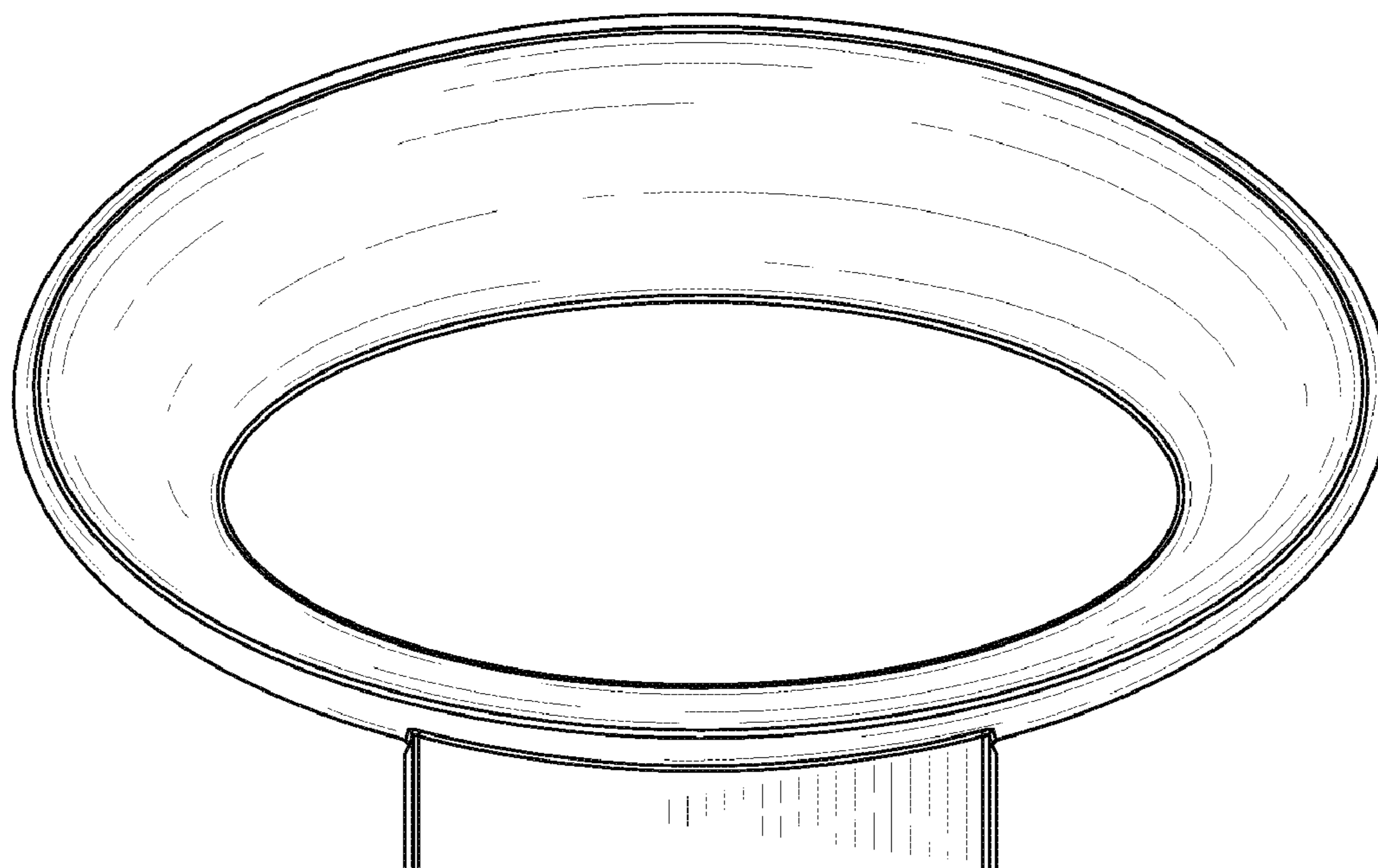


FIG. 7