

US00D642726S

(12) **United States Design Patent**  
**Khubani**

(10) **Patent No.:** **US D642,726 S**

(45) **Date of Patent:** **\*\* Aug. 2, 2011**

(54) **LED CLICK LIGHT**

(75) **Inventor:** **Ashok Khubani**, Boonton, NJ (US)

(73) **Assignee:** **Ontel Products Corporation**, Fairfield, NJ (US)

(\*\*) **Term:** **14 Years**

(21) **Appl. No.:** **29/387,158**

(22) **Filed:** **Mar. 9, 2011**

(51) **LOC (9) Cl.** ..... **26-03**

(52) **U.S. Cl.** ..... **D26/80; D26/37**

(58) **Field of Classification Search** ..... D26/37,  
D26/72, 75, 76, 80, 83, 85, 89; 362/147,  
362/133, 294.02, 373, 404-408, 432, 490,  
362/453, 454

See application file for complete search history.

(56) **References Cited**

**U.S. PATENT DOCUMENTS**

2,149,635	A	*	3/1939	Shepard et al.	.....	362/490
D381,450	S	*	7/1997	Sonneman	.....	D26/72
D498,018	S	*	11/2004	Sieczkowski	.....	D26/118
D563,003	S	*	2/2008	Aleksjew	.....	D26/37
D564,694	S	*	3/2008	Southern, Jr.	.....	D26/85
D576,333	S	*	9/2008	Benensohn	.....	D26/72

D586,029	S	*	2/2009	Copeland	.....	D26/83
D587,835	S	*	3/2009	Hanson	.....	D26/85
D593,703	S	*	6/2009	Copeland	.....	D26/89
D634,054	S	*	3/2011	Janssen	.....	D26/89
2006/0250789	A1	*	11/2006	Coushaine	.....	362/157

\* cited by examiner

*Primary Examiner* — Clare E Heflin

(74) *Attorney, Agent, or Firm* — Robert L. Epstein; Epstein Drangel LLP

(57) **CLAIM**

The ornamental design for an LED click light, as shown and described.

**DESCRIPTION**

FIG. 1 is a perspective view showing the front, top and one side of my invention;

FIG. 2 is a top elevation view thereof;

FIG. 3 is a bottom elevation view thereof;

FIG. 4 is a front elevation view thereof;

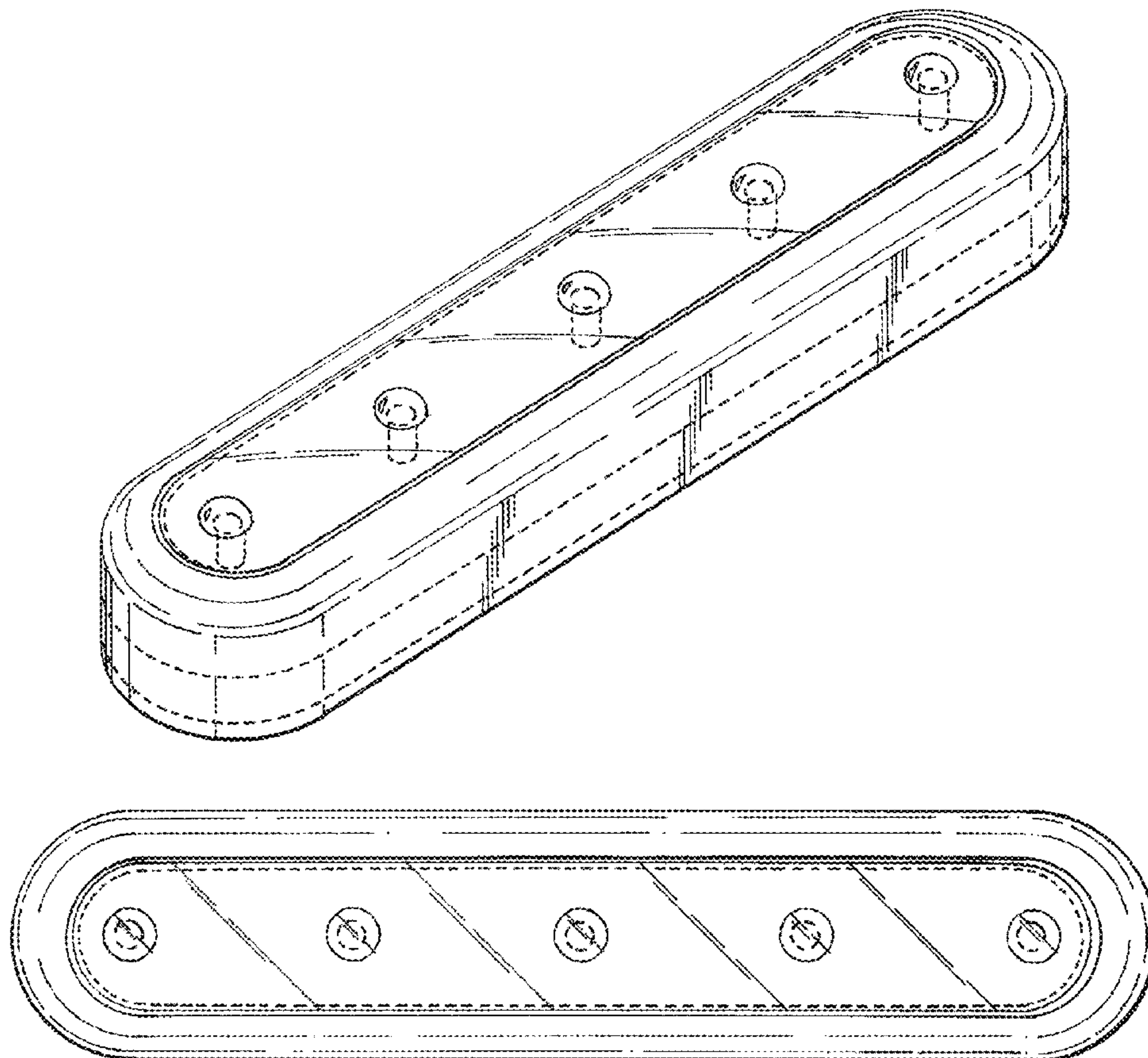
FIG. 5 is a rear elevation view thereof;

FIG. 6 is a left-side elevation view thereof; and,

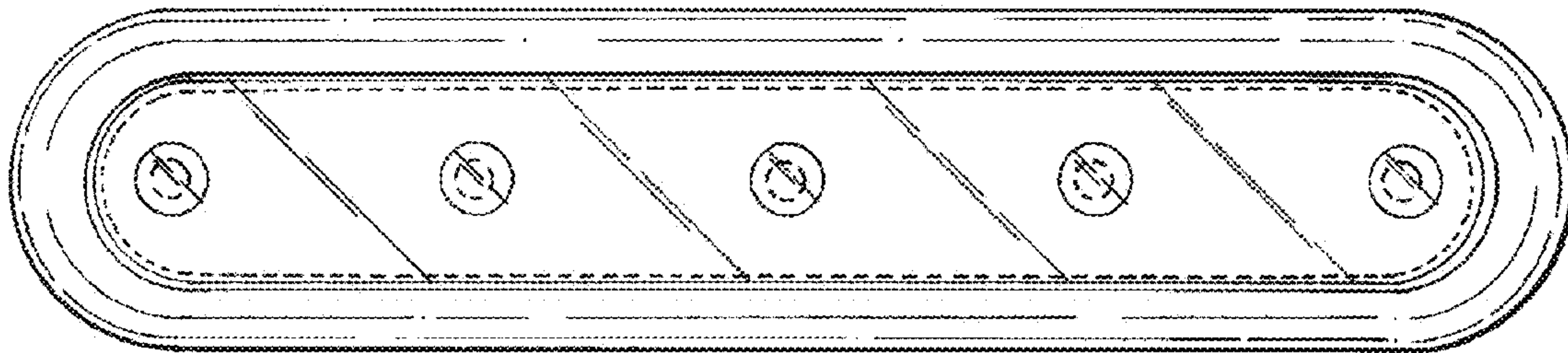
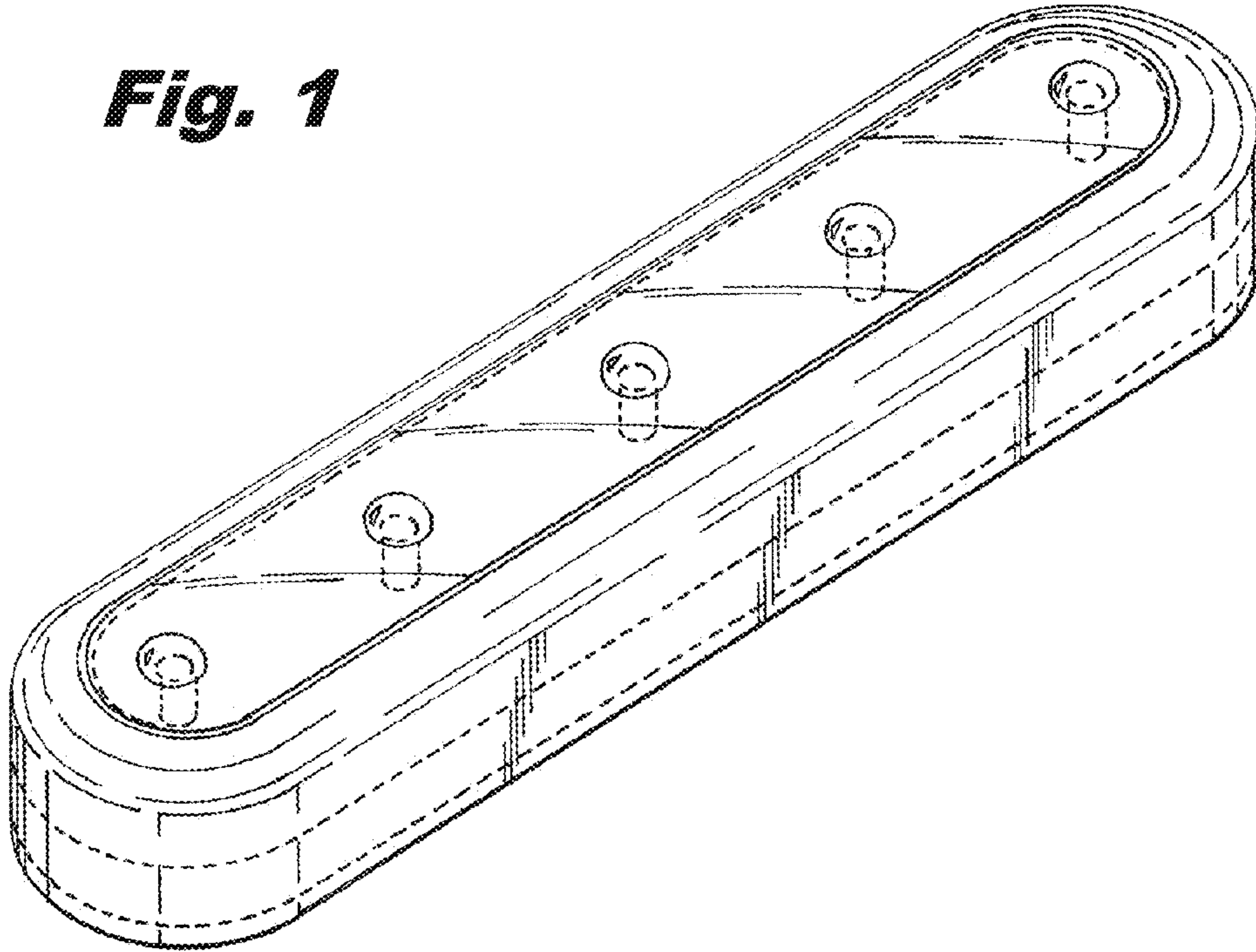
FIG. 7 is a right-side elevation view thereof.

The broken lines shown on the drawings depict portions of the light that form no part of the claimed design.

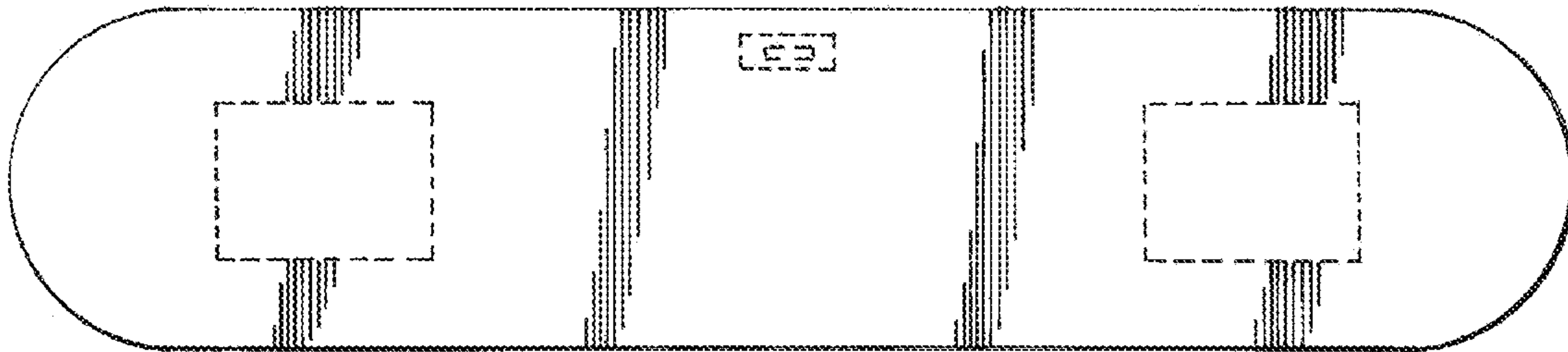
**1 Claim, 2 Drawing Sheets**



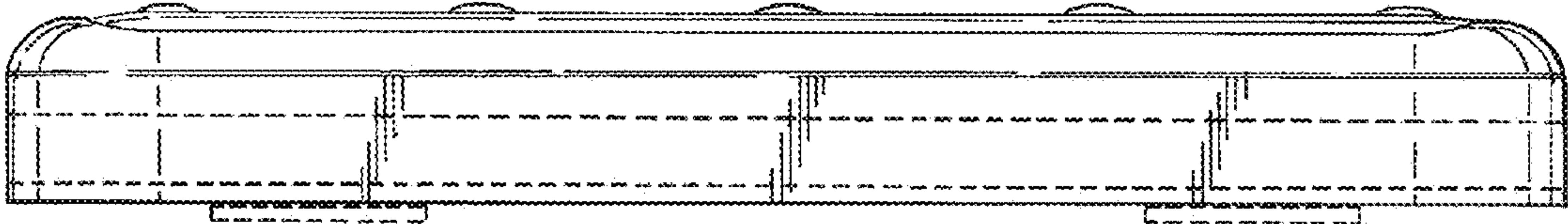
**Fig. 1**



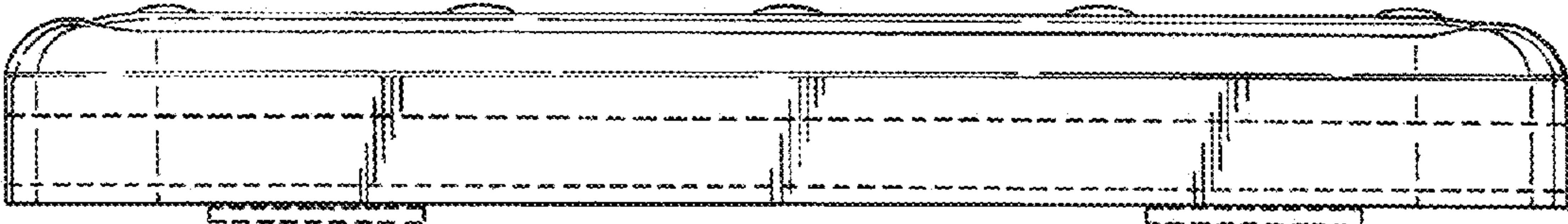
**Fig. 2**



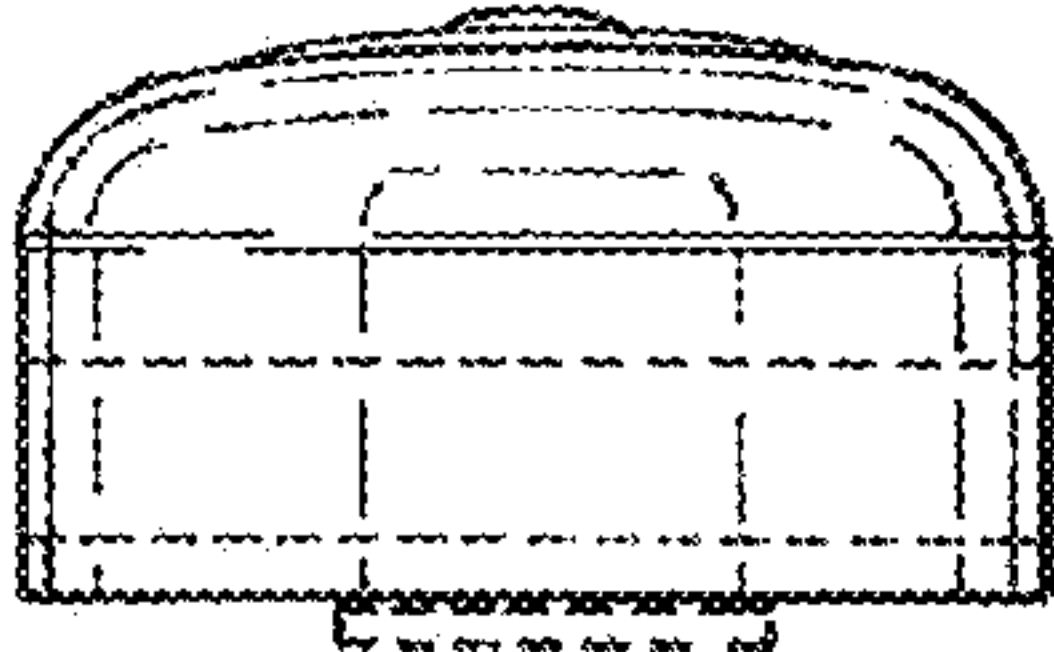
**Fig. 3**



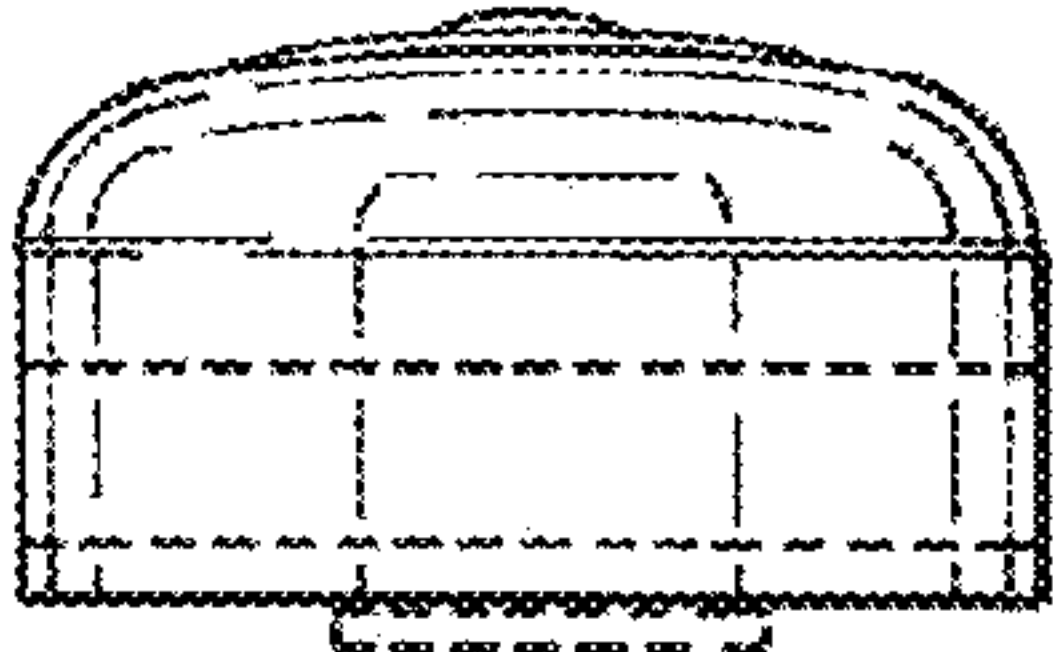
**Fig. 4**



**Fig. 5**



**Fig. 6**



**Fig. 7**