



US00D642725S

(12) **United States Design Patent**
Kong et al.

(10) **Patent No.:** **US D642,725 S**
(45) **Date of Patent:** **** Aug. 2, 2011**

(54) **LED LAMP**

(75) Inventors: **Kyung-il Kong**, Seoul (KR); **Han Gyoul Kim**, Seoul (KR); **Hwayoung Kim**, Yongin (KR); **Ji Yeon Hyun**, Seongnam (KR)

(73) Assignee: **LG Innotek Co., Ltd**, Seoul (KR)

(**) Term: **14 Years**

(21) Appl. No.: **29/365,315**

(22) Filed: **Jul. 8, 2010**

(30) **Foreign Application Priority Data**

Jan. 8, 2010 (KR) 30-2010-0000728

(51) **LOC (9) Cl.** **26-03**

(52) **U.S. Cl.** **D26/76; D26/80**

(58) **Field of Classification Search** D26/75-85,
D26/88, 89, 72, 25, 3; 362/555, 14, 148,
362/150, 217.01, 217.05, 217.06, 217.07,
362/217.08, 217.09, 217.1, 217.12, 217.13,
362/260, 296.01, 404

See application file for complete search history.

(56) **References Cited**

U.S. PATENT DOCUMENTS

D295,329 S * 4/1988 Roos et al. D26/75
D336,352 S * 6/1993 Dieperink et al. D26/76
D476,753 S * 7/2003 Chelf et al. D26/3

D521,675 S * 5/2006 Chen D26/76
D523,165 S * 6/2006 Schultz D26/76
D547,897 S * 7/2007 Willmorth et al. D26/76
D581,079 S * 11/2008 Mier-Langner D26/72
D592,349 S * 5/2009 Maxik et al. D26/76
D606,229 S * 12/2009 Johansen et al. D26/80
D610,736 S * 2/2010 Klaus D26/76
D617,935 S * 6/2010 Miletich et al. D26/76
D633,642 S * 3/2011 Wauters D26/85
D637,338 S * 5/2011 Kong et al. D26/88
2009/0185379 A1 * 7/2009 Chen 362/294

* cited by examiner

Primary Examiner — Angela Lee

(74) *Attorney, Agent, or Firm* — Park, Kim & Suh, LLC

(57) **CLAIM**

The ornamental design for an LED lamp, as shown and described.

DESCRIPTION

FIG. 1 is a perspective view of an LED lamp showing our new design;

FIG. 2 is a front view thereof, a rear view being a mirror image of the front view;

FIG. 3 is a left side view thereof, a right side view being a mirror image of the left side view;

FIG. 4 is a top plan view thereof;

FIG. 5 is a bottom plan view thereof; and,

FIG. 6 is a perspective view of the LED lamp shown in FIG. 1, but shown in use with LEDs shown in broken lines.

The broken lines shown in FIG. 6 are for illustrative purposes only and form no part of the claimed design.

1 Claim, 6 Drawing Sheets

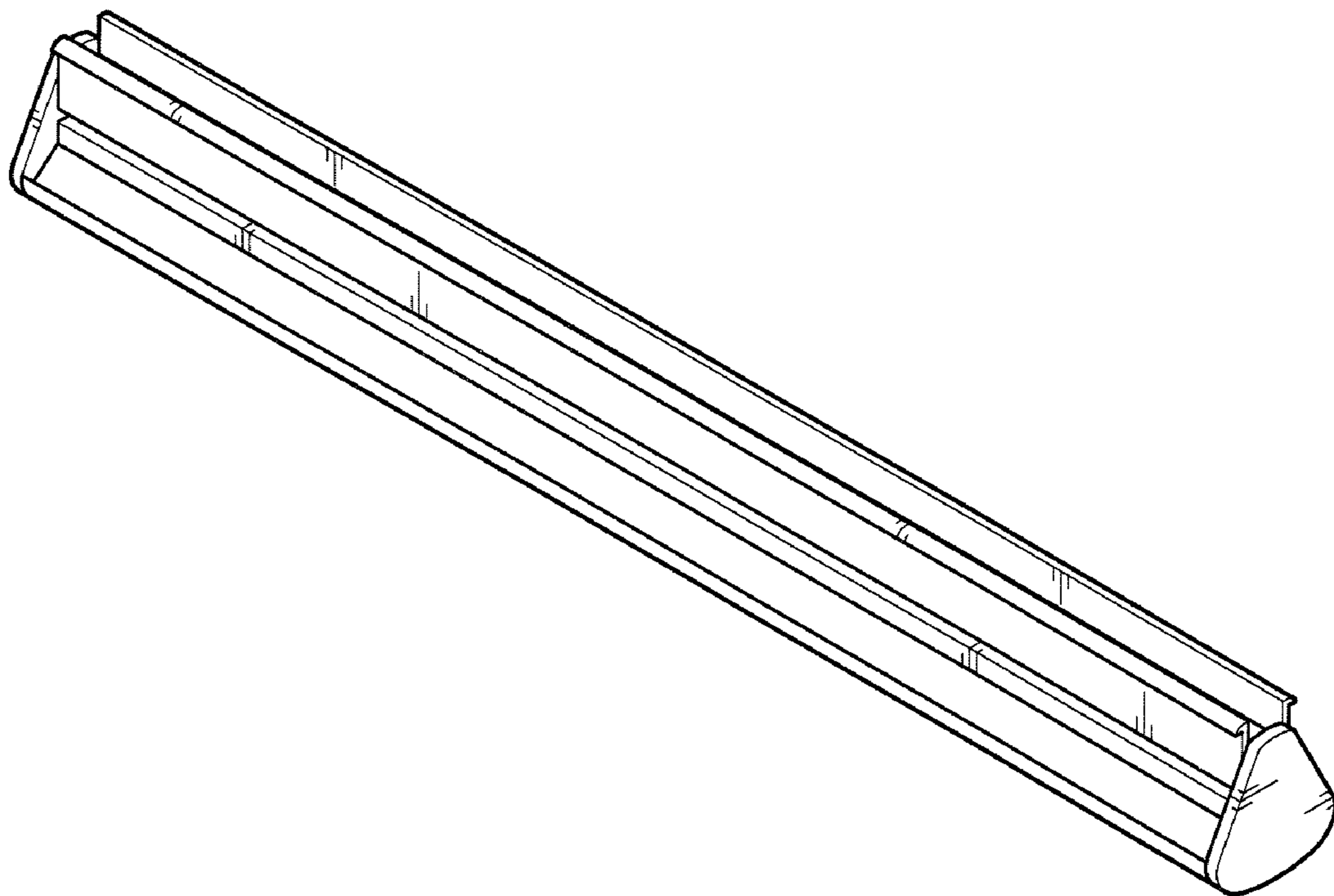


FIG. 1

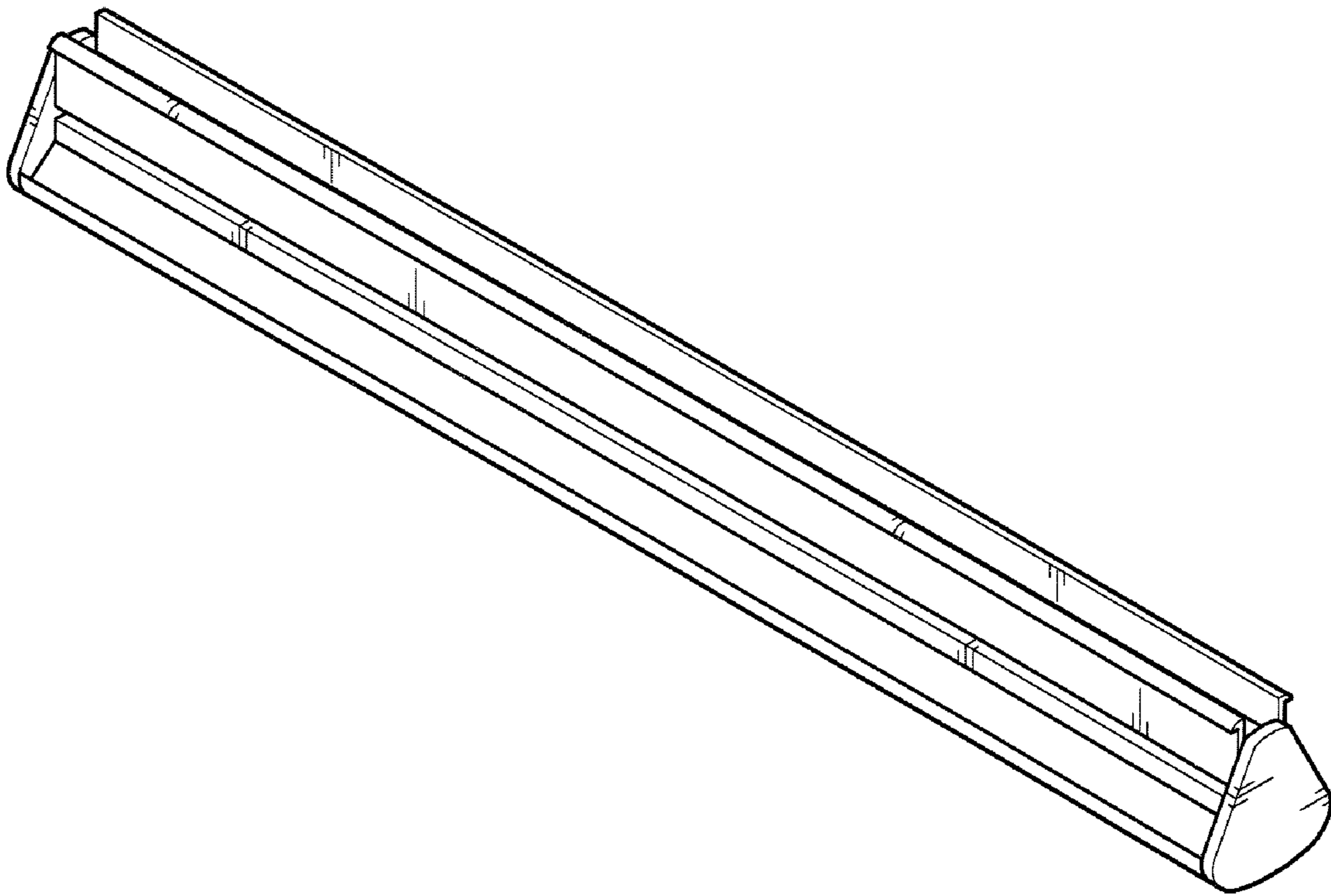


FIG. 2

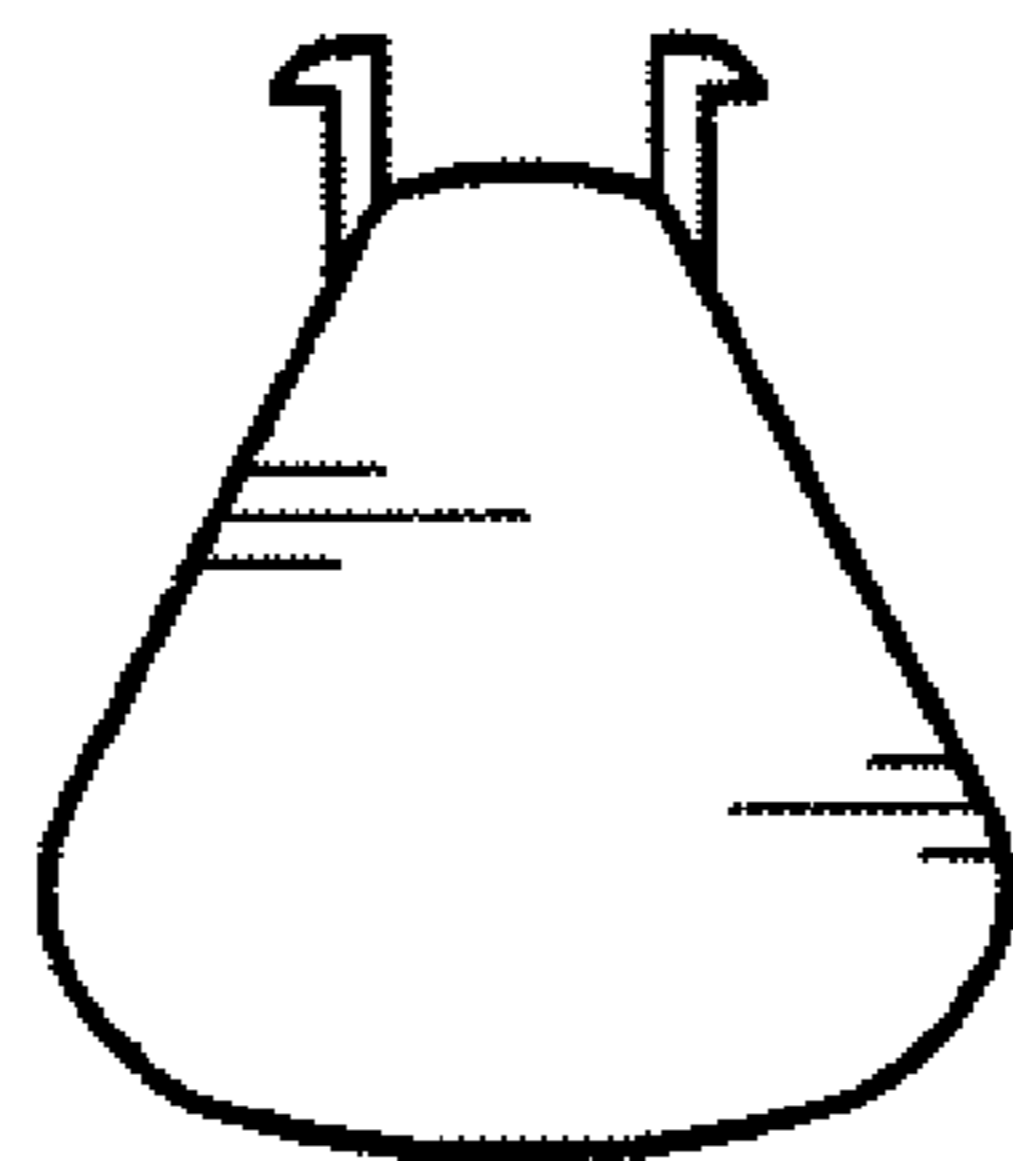


FIG. 3

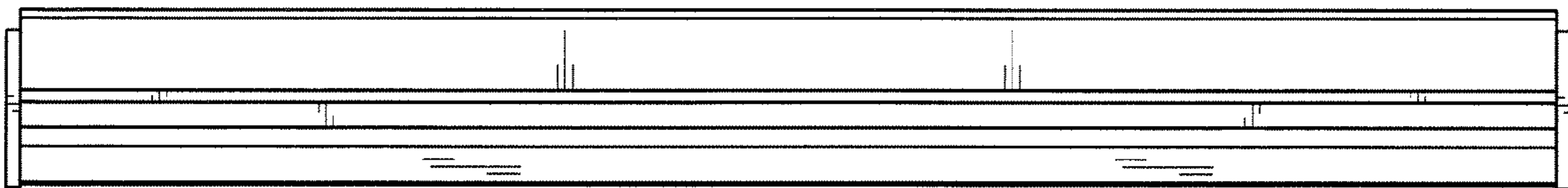


FIG. 4

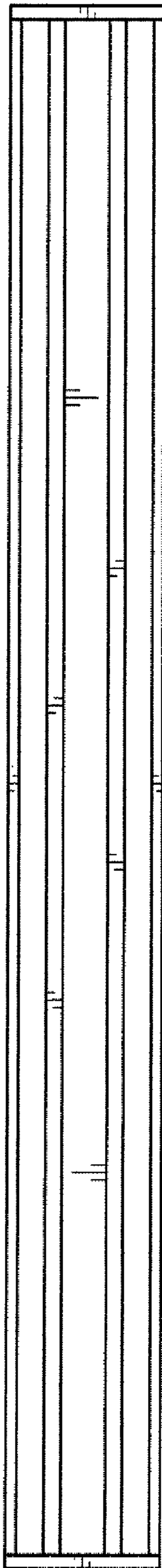


FIG. 5

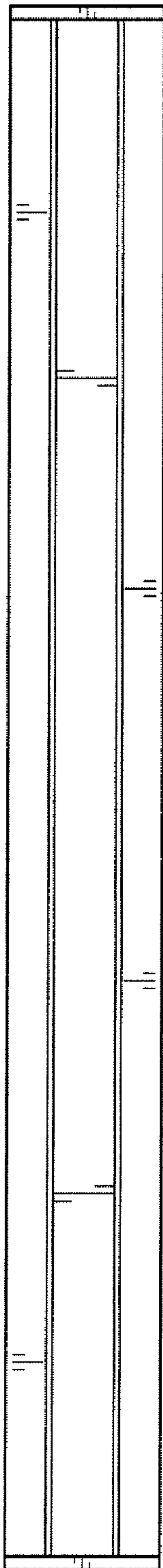


FIG. 6

