



US00D642723S

(12) **United States Design Patent**
Zheng

(10) **Patent No.:** **US D642,723 S**

(45) **Date of Patent:** **** Aug. 2, 2011**

(54) **LED LAMP**

(75) **Inventor:** **Shi-Song Zheng**, Shenzhen (CN)

(73) **Assignee:** **Foxconn Technology Co., Ltd.**,
Tu-Cheng, New Taipei (TW)

(**) **Term:** **14 Years**

(21) **Appl. No.:** **29/360,294**

(22) **Filed:** **Apr. 22, 2010**

(30) **Foreign Application Priority Data**

Jan. 4, 2010 (CN) 2010 3 0300033

(51) **LOC (9) Cl.** **26-05**

(52) **U.S. Cl.** **D26/70; D26/69**

(58) **Field of Classification Search** D26/67,
D26/68, 69, 70, 71, 81, 86, 89, 128; 362/145,
362/152, 183, 294, 373, 414, 431, 545, 800,
362/249.02, 249.03, 249.14

See application file for complete search history.

(56) **References Cited**

U.S. PATENT DOCUMENTS

D100,015 S * 6/1936 Godshalk D26/70
D186,547 S * 11/1959 Burton D26/69
4,064,430 A * 12/1977 Owens 362/231

D339,650 S * 9/1993 Vieyra D26/84
D578,695 S * 10/2008 Zheng et al. D26/70
D578,696 S * 10/2008 Wang et al. D26/70
D582,594 S * 12/2008 Zhou et al. D26/69
D598,157 S * 8/2009 Zhou et al. D26/69
D598,599 S * 8/2009 Zhou et al. D26/69
D599,048 S * 8/2009 Xiao et al. D26/68
D609,837 S * 2/2010 Zheng D26/70
2006/0256557 A1 * 11/2006 Kanamori et al. 362/249

* cited by examiner

Primary Examiner — Clare E Heflin

(74) *Attorney, Agent, or Firm* — Frank R. Niranjani

(57) **CLAIM**

The ornamental design for an LED lamp, as shown and described.

DESCRIPTION

FIG. 1 is a perspective view of an LED lamp showing my new design.

FIG. 2 is a front elevational view thereof.

FIG. 3 is a rear elevational view thereof.

FIG. 4 is a left-side, elevational view thereof.

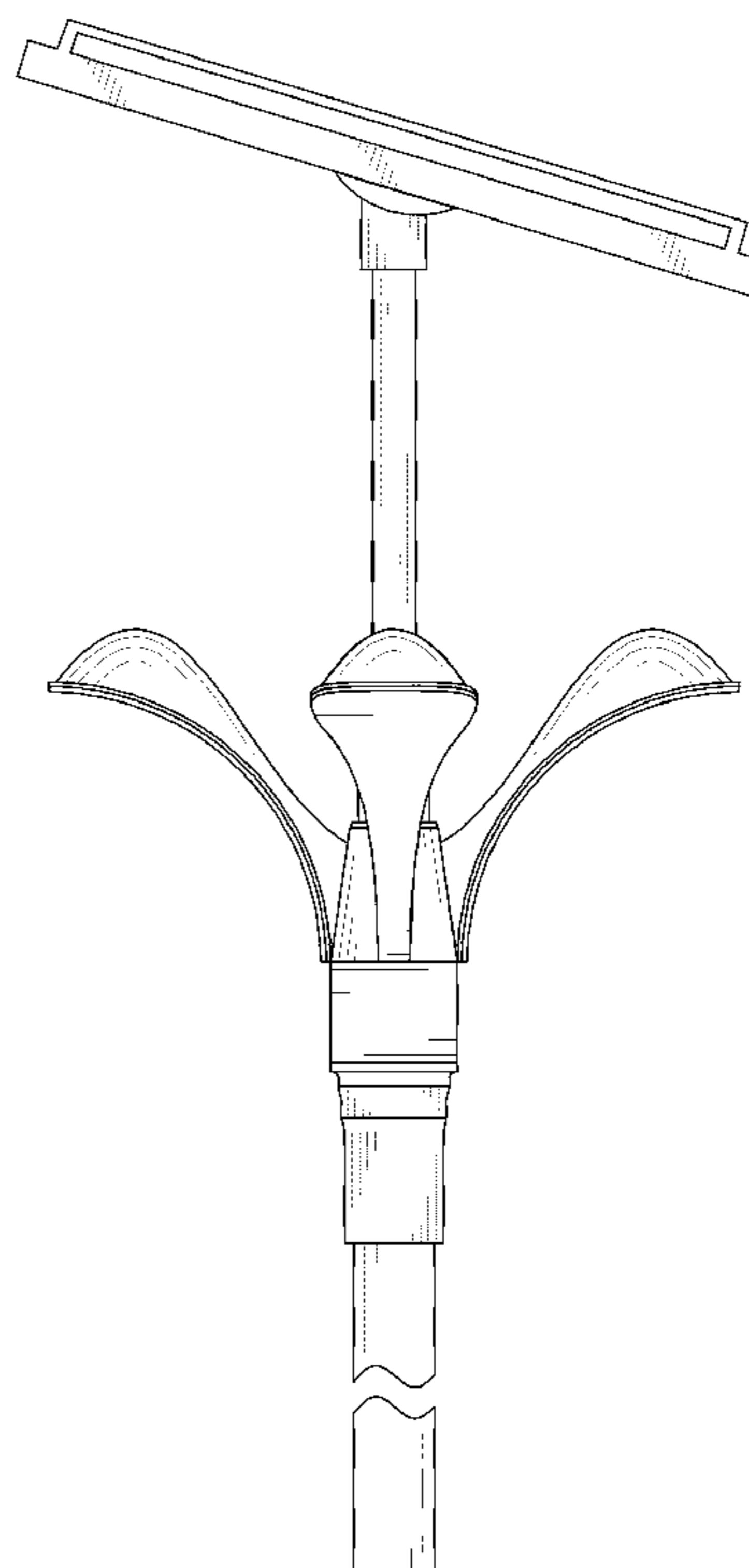
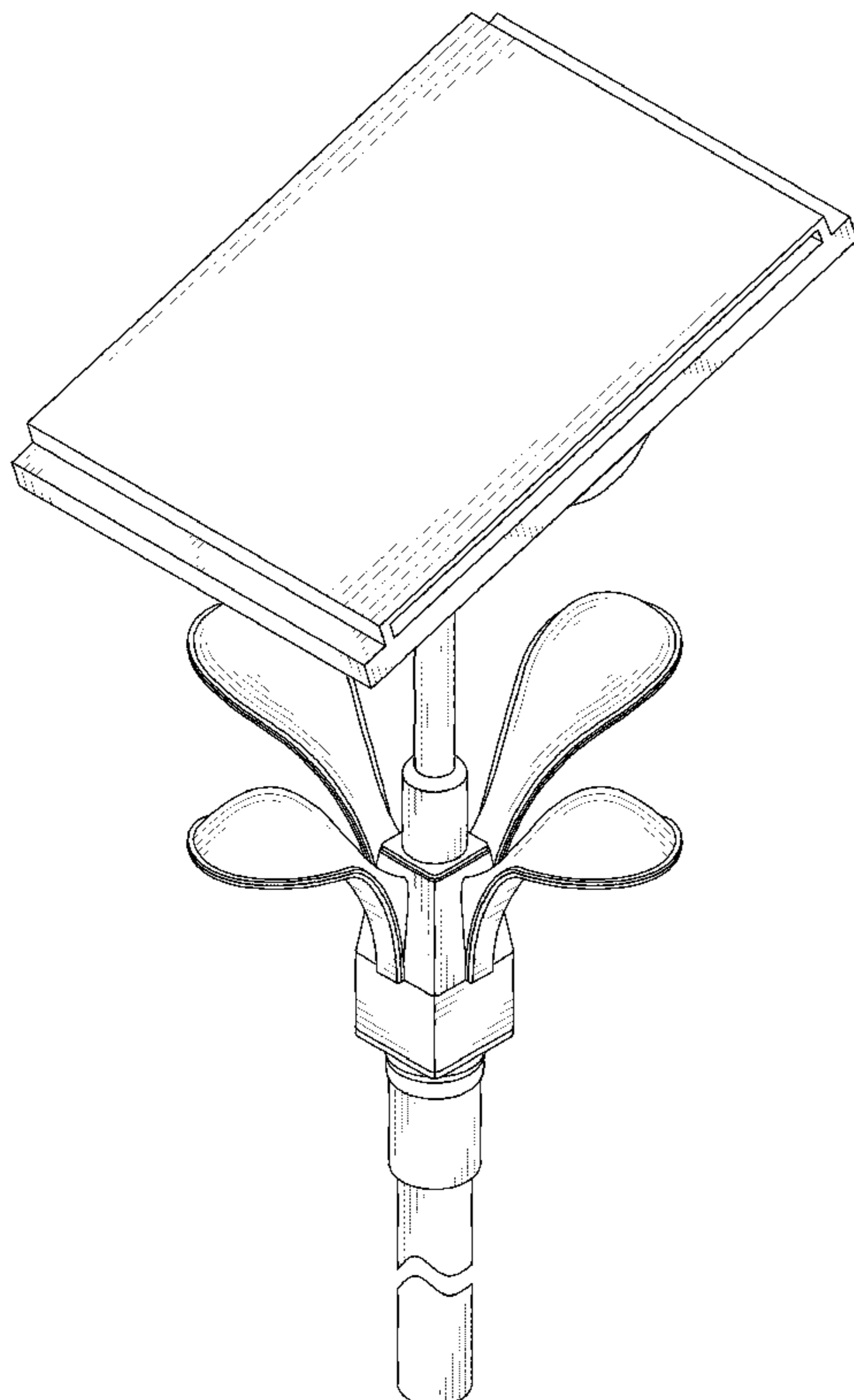
FIG. 5 is a right-side, elevational view thereof.

FIG. 6 is a top plan view thereof; and,

FIG. 7 is a bottom plan view thereof.

The support pole is shown broken away in FIGS. 1-5 to depict a non-specific length.

1 Claim, 7 Drawing Sheets



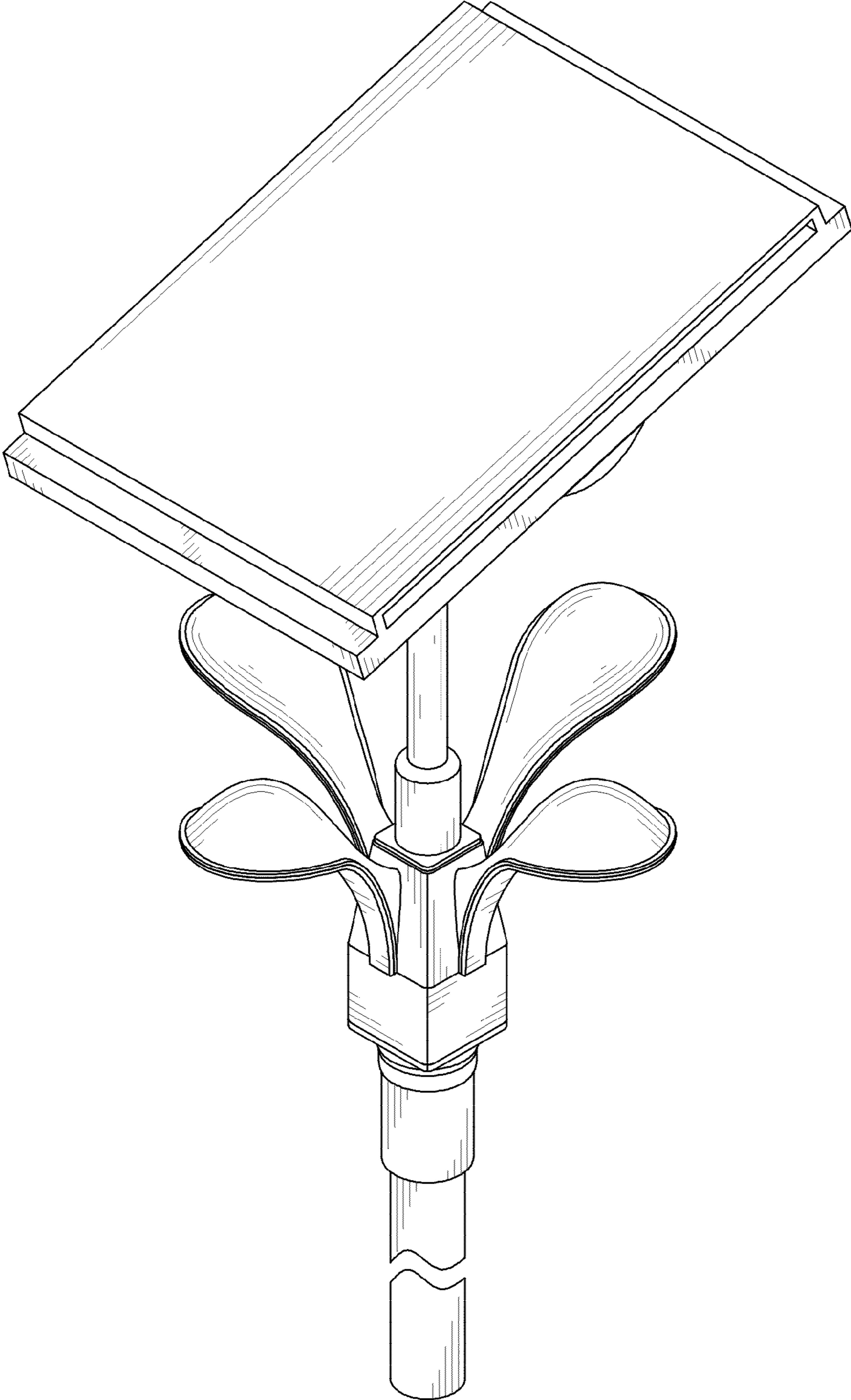


FIG. 1

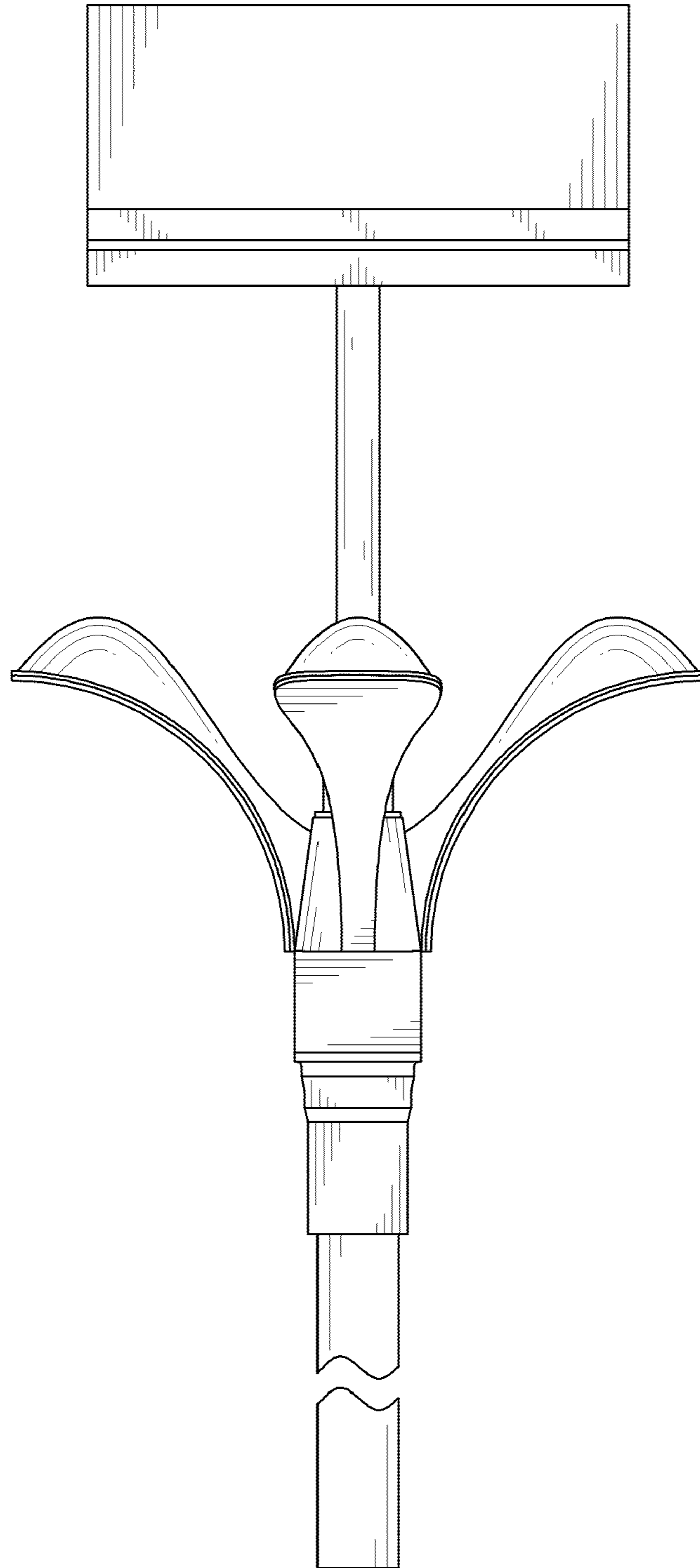


FIG. 2

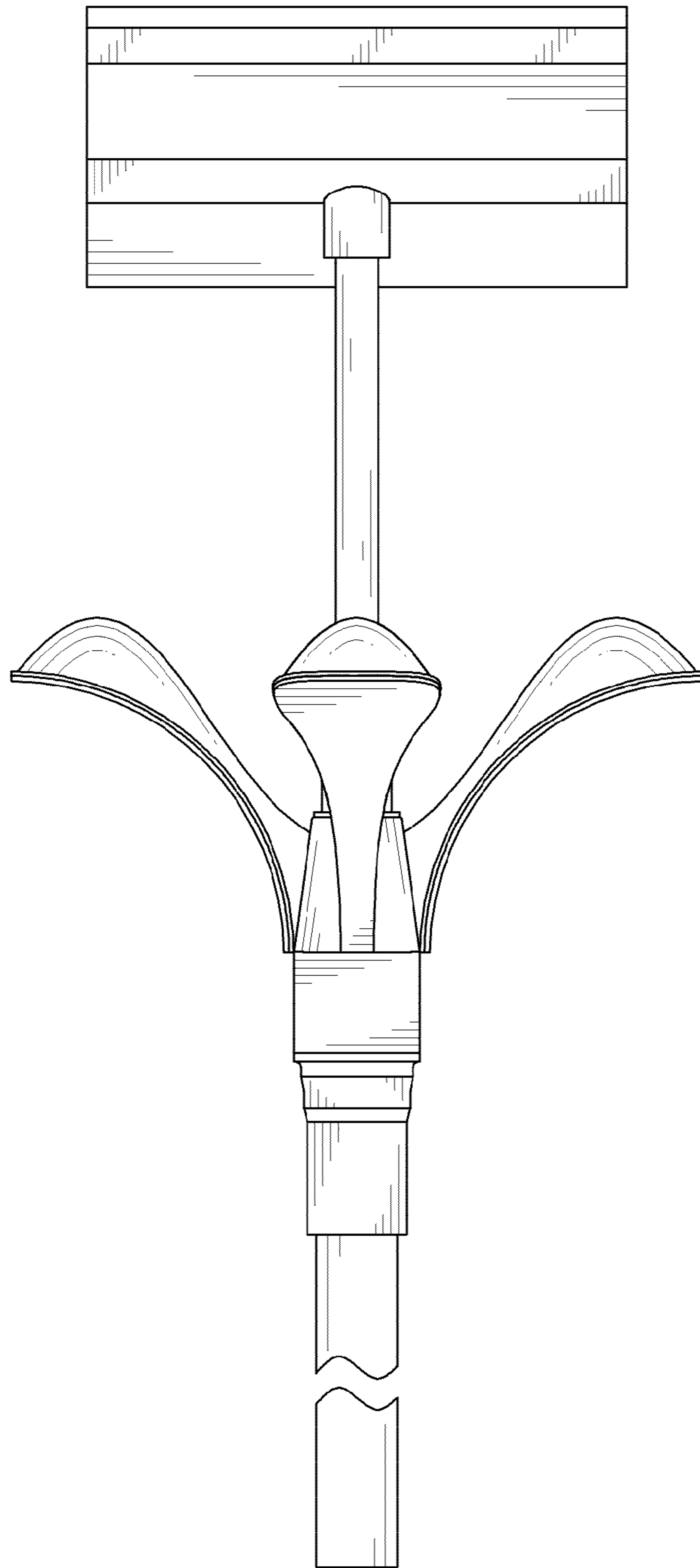


FIG. 3

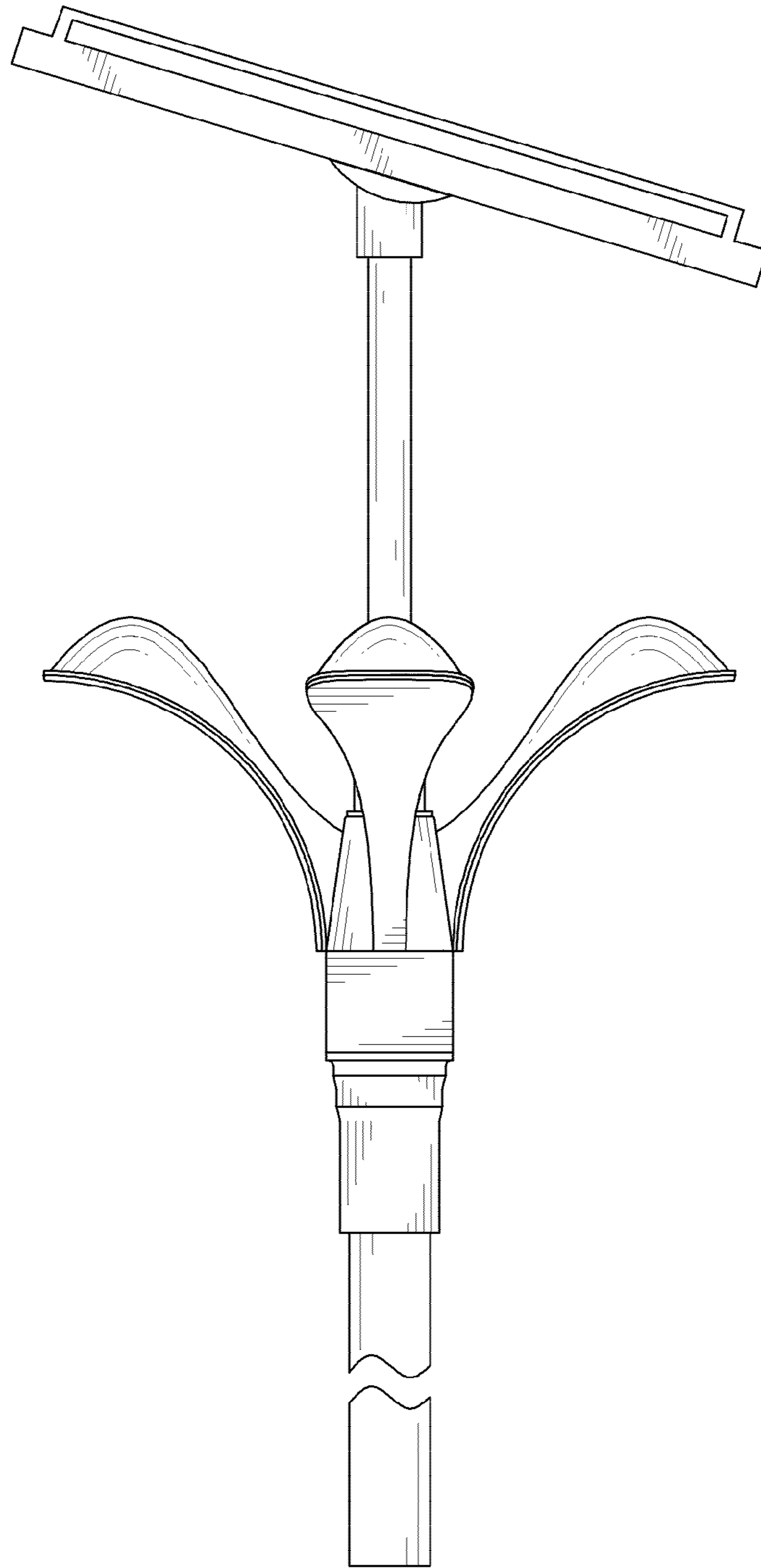


FIG. 4

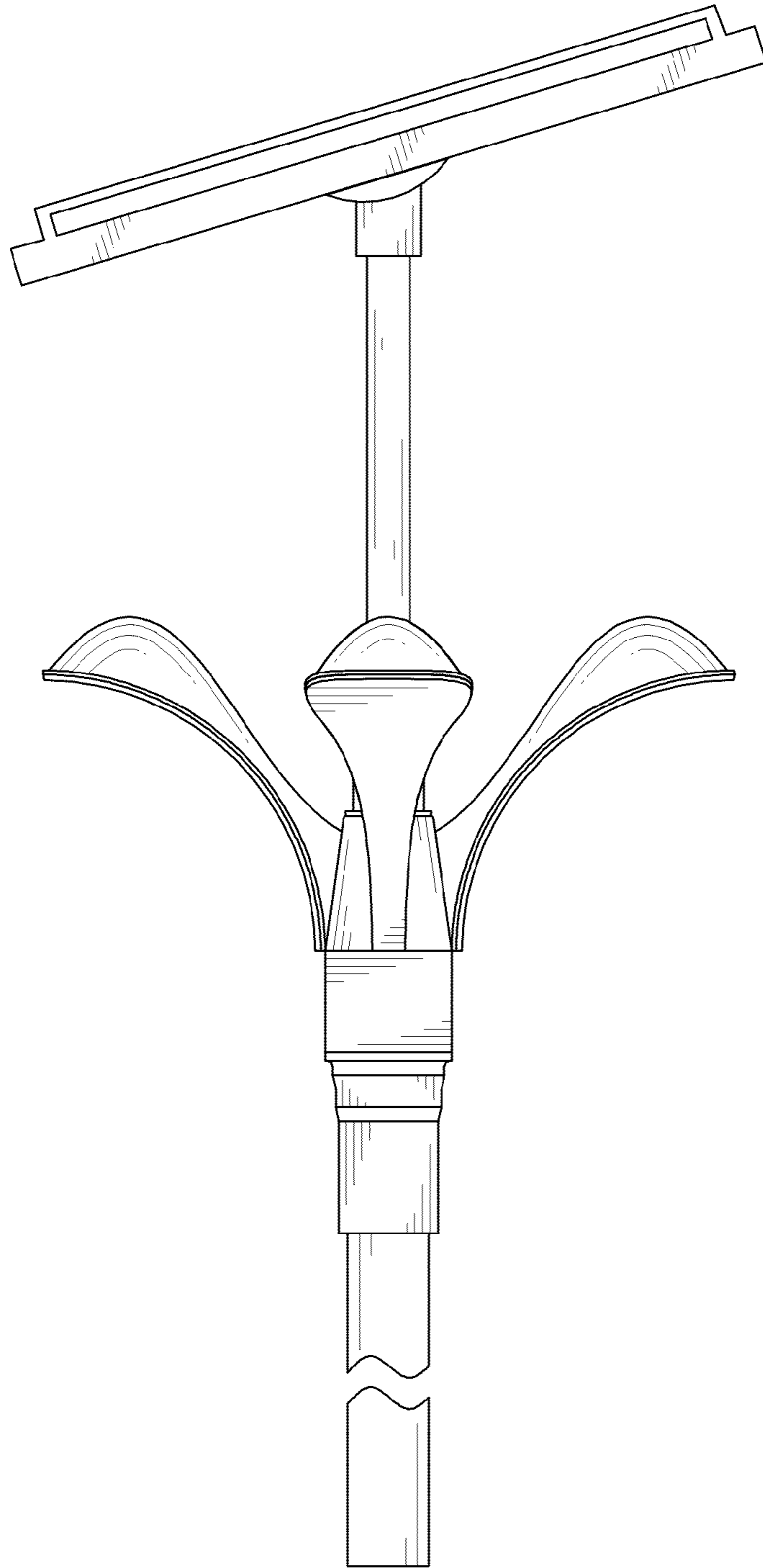


FIG. 5

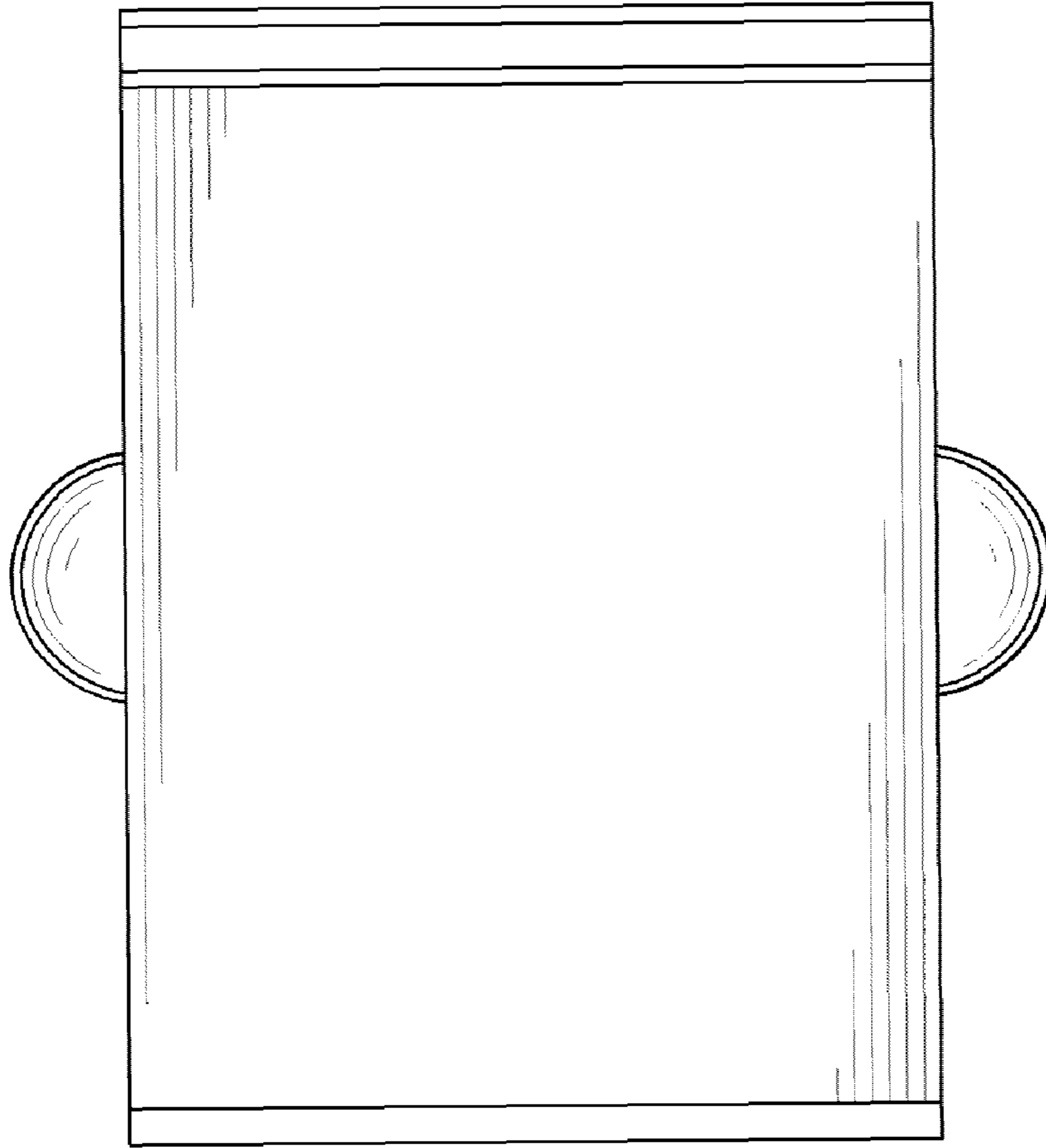


FIG. 6

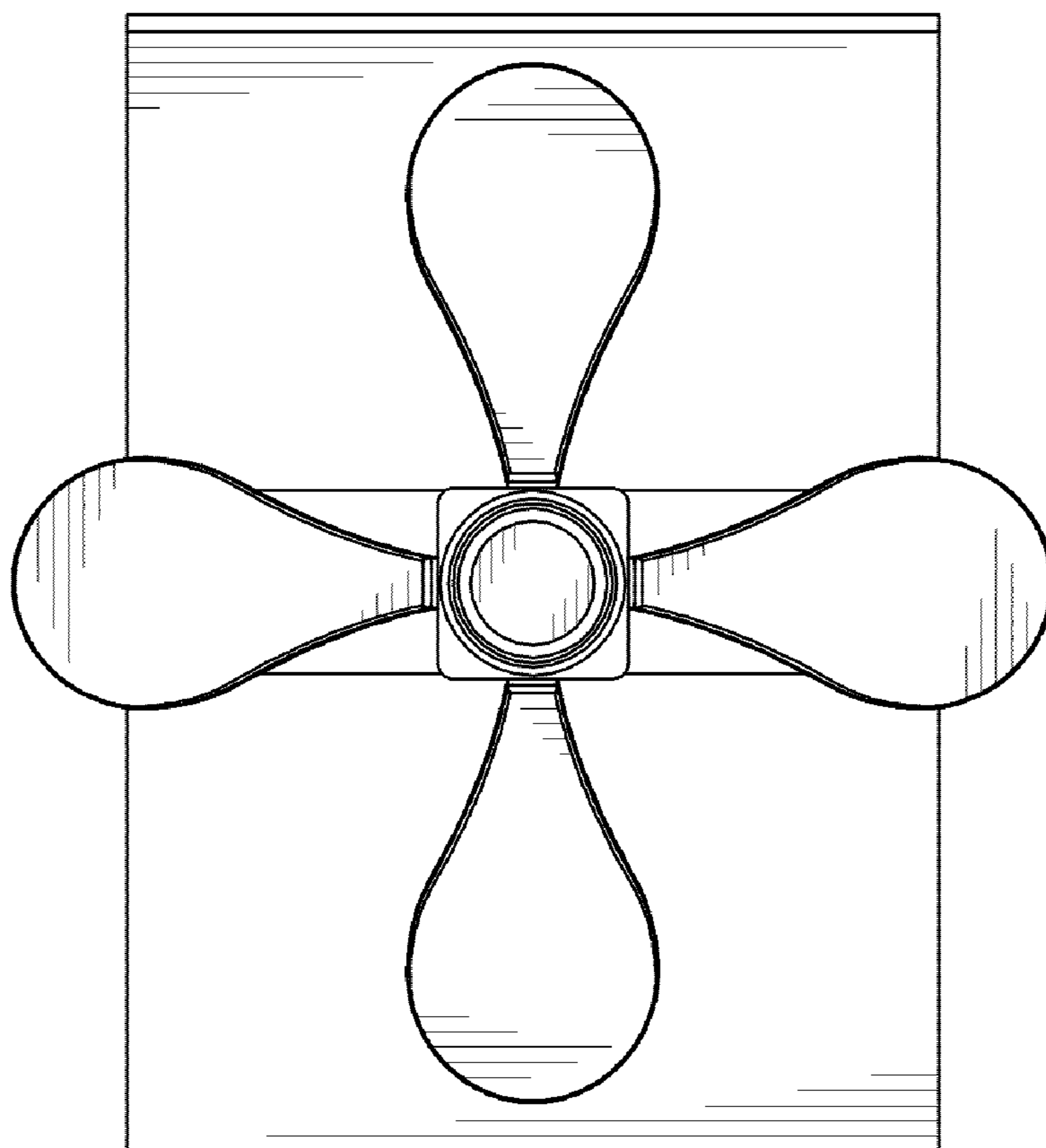


FIG. 7