



US00D642722S

(12) **United States Design Patent**
Oberpriller

(10) **Patent No.:** **US D642,722 S**

(45) **Date of Patent:** **** Aug. 2, 2011**

(54) **LIGHTING DEVICE**

(76) Inventor: **Barry Oberpriller**, Leverett, MA (US)

(**) Term: **14 Years**

(21) Appl. No.: **29/384,220**

(22) Filed: **Jan. 28, 2011**

(51) **LOC (9) Cl.** **26-05**

(52) **U.S. Cl.** **D26/67; D26/72**

(58) **Field of Classification Search** D26/37,
D26/67-72, 75, 76, 80, 83, 85, 89; 362/147,
362/133, 294.02, 373, 404-408, 432, 490,
362/453, 454

See application file for complete search history.

(56) **References Cited**

U.S. PATENT DOCUMENTS

D217,065 S *	3/1970	Gugelot	D26/37
D393,093 S *	3/1998	Fiorato	D26/85
D459,515 S *	6/2002	Gaskins et al.	D26/67
D511,020 S *	10/2005	Egawa et al.	D26/89
D544,117 S *	6/2007	Coushaine	D26/37
D544,618 S *	6/2007	Coushaine	D26/37
D558,908 S *	1/2008	Waedeled	D26/67

D561,921 S *	2/2008	Aleksjew	D26/37
D574,538 S *	8/2008	Sanoner	D26/67
D607,597 S *	1/2010	Choi	D26/80
D607,600 S *	1/2010	Keith	D26/85
D616,129 S *	5/2010	Sanoner	D26/67
D634,053 S *	3/2011	Guercio	D26/89

* cited by examiner

Primary Examiner — Clare E Heflin

(74) *Attorney, Agent, or Firm* — Bay State, IP; Adam J. Bruno

(57) **CLAIM**

I claim the ornamental design for a lighting device, as shown and described.

DESCRIPTION

FIG. 1 is a front side perspective view showing my new design;

FIG. 2 is a bottom perspective view thereof;

FIG. 3 is a top view thereof;

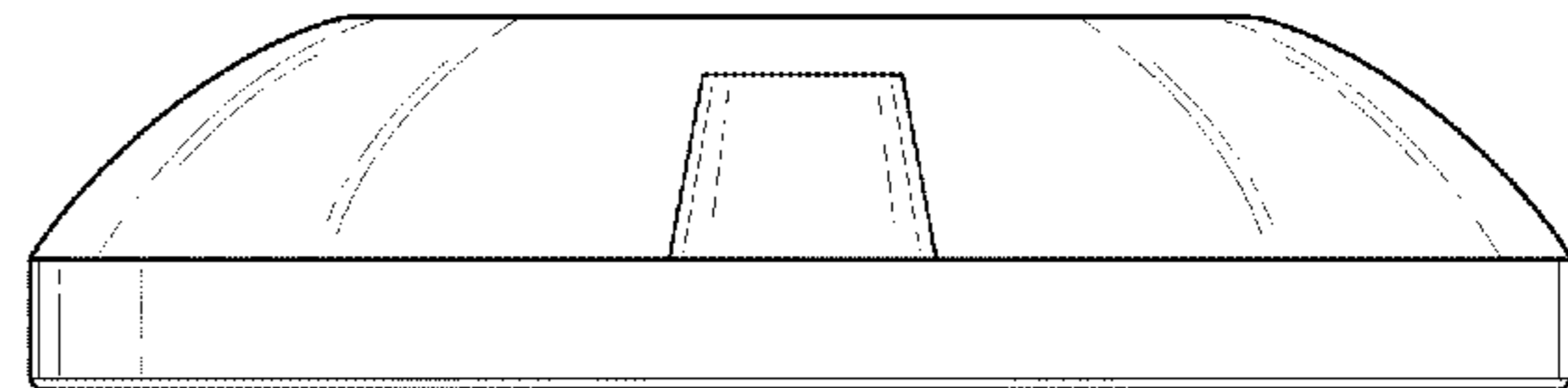
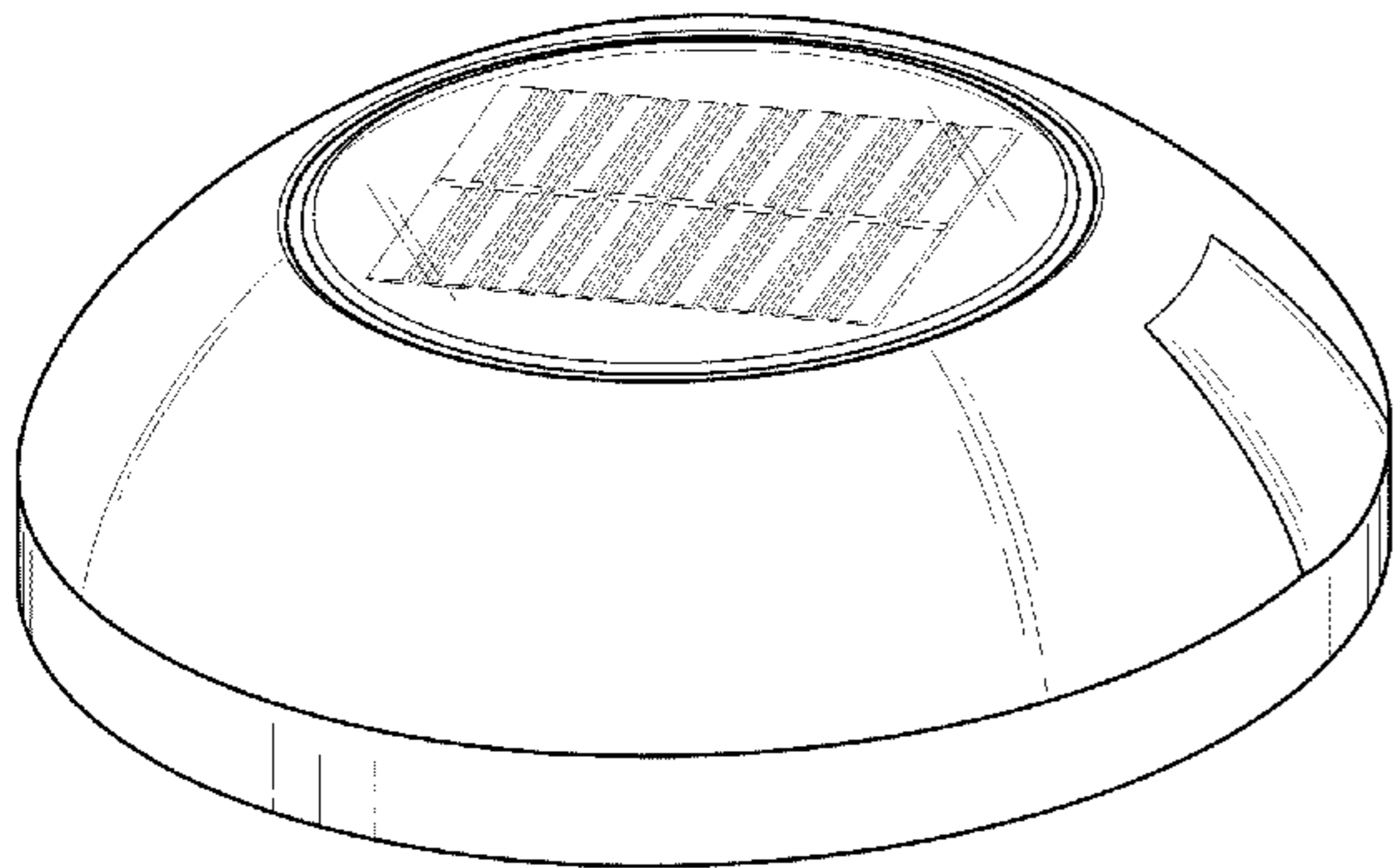
FIG. 4 is a bottom view thereof;

FIG. 5 is a right side view thereof;

FIG. 6 is a left view thereof; and,

FIG. 7 is a back side view thereof.

1 Claim, 3 Drawing Sheets



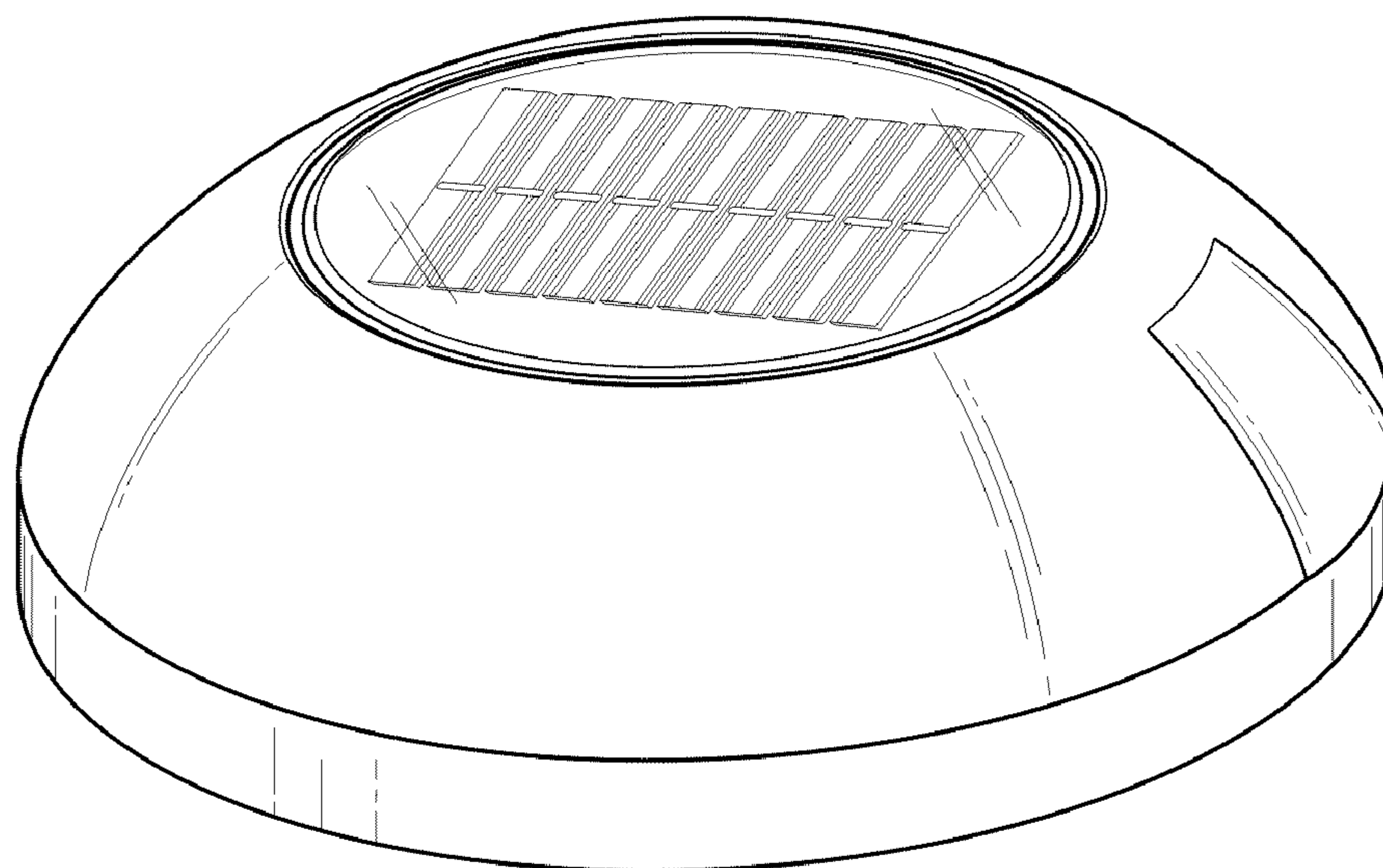


Fig. 1

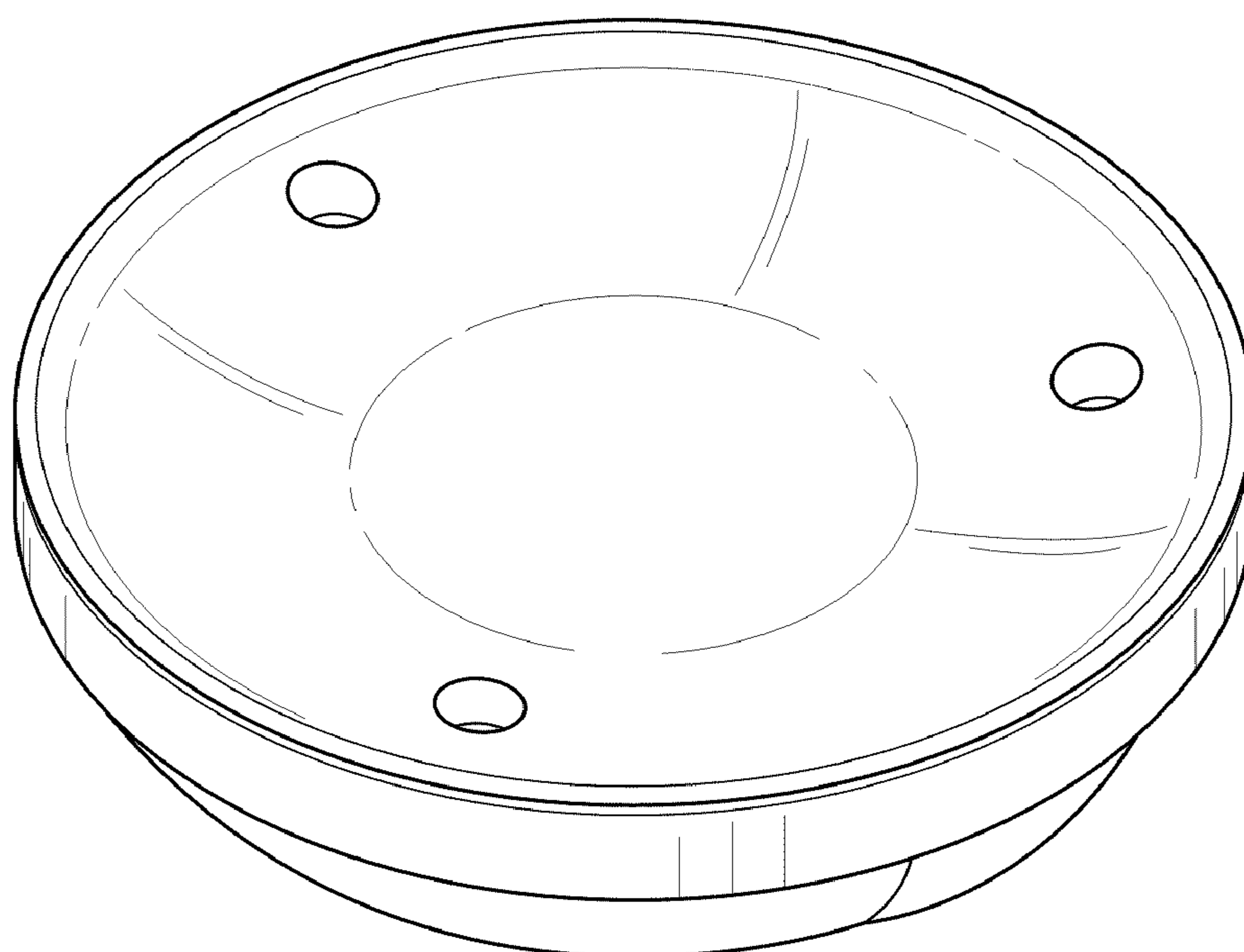


Fig. 2

Fig. 3

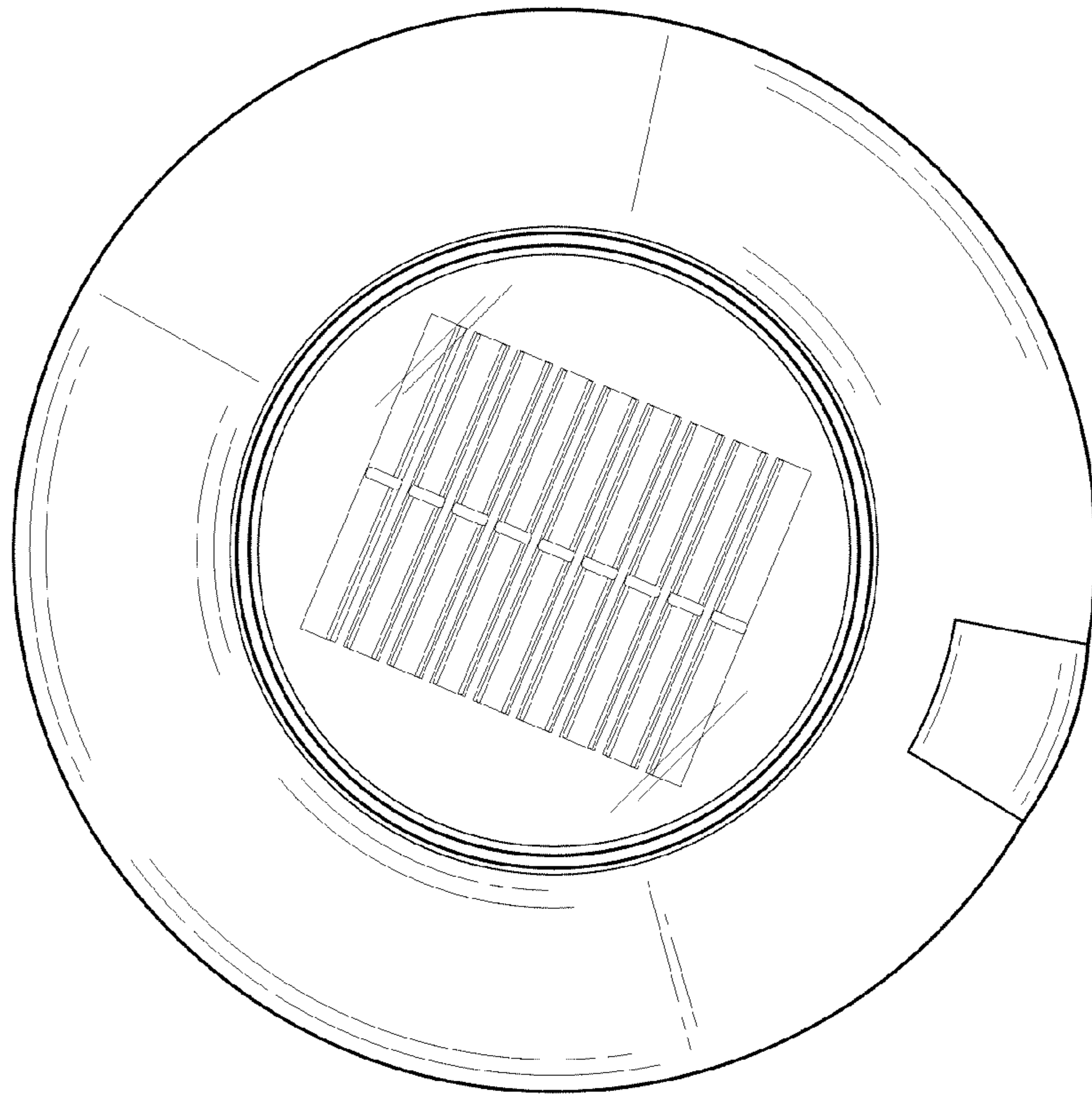
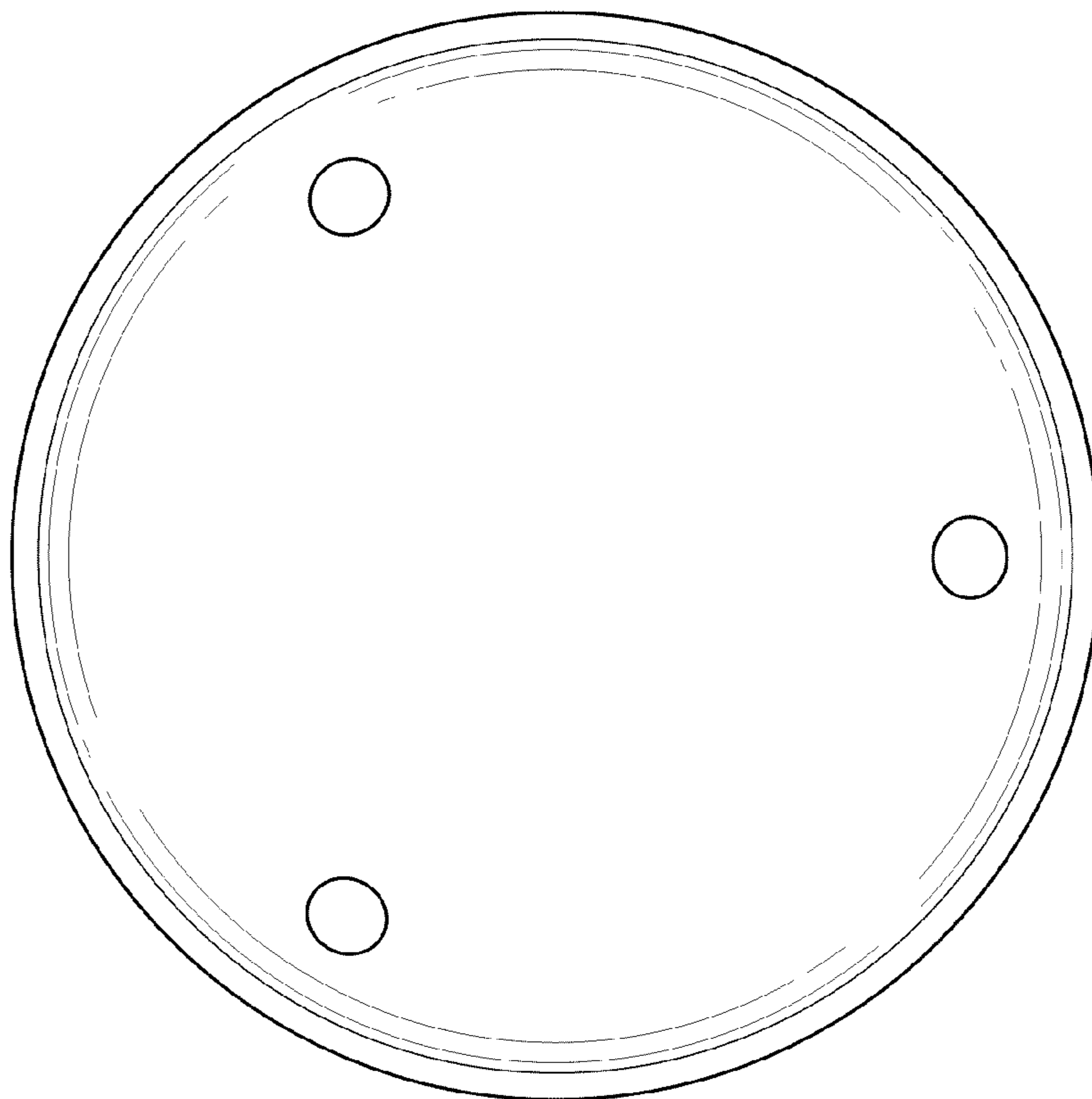


Fig. 4



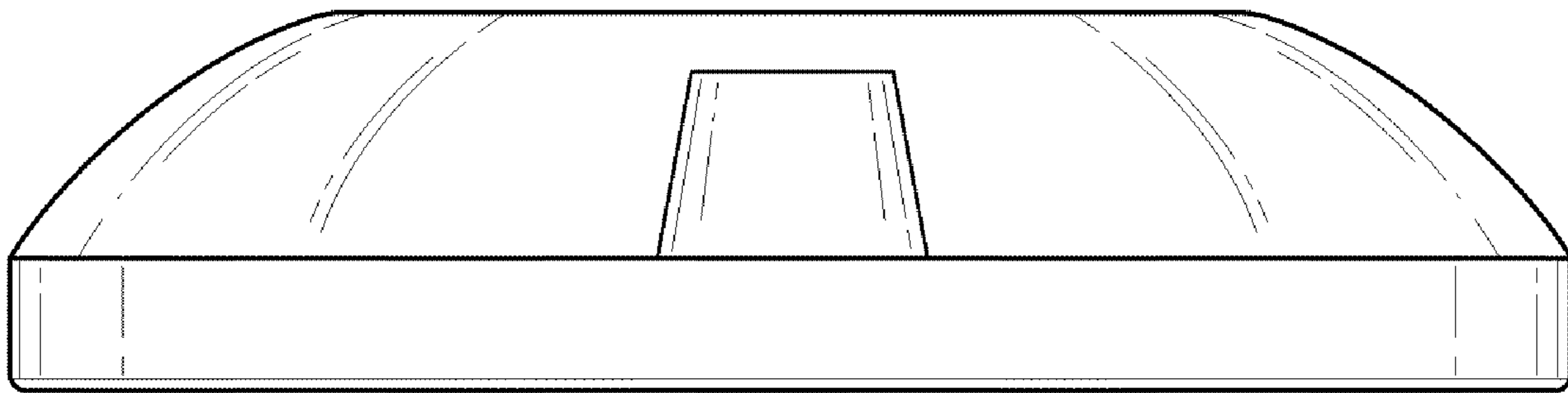


Fig. 5

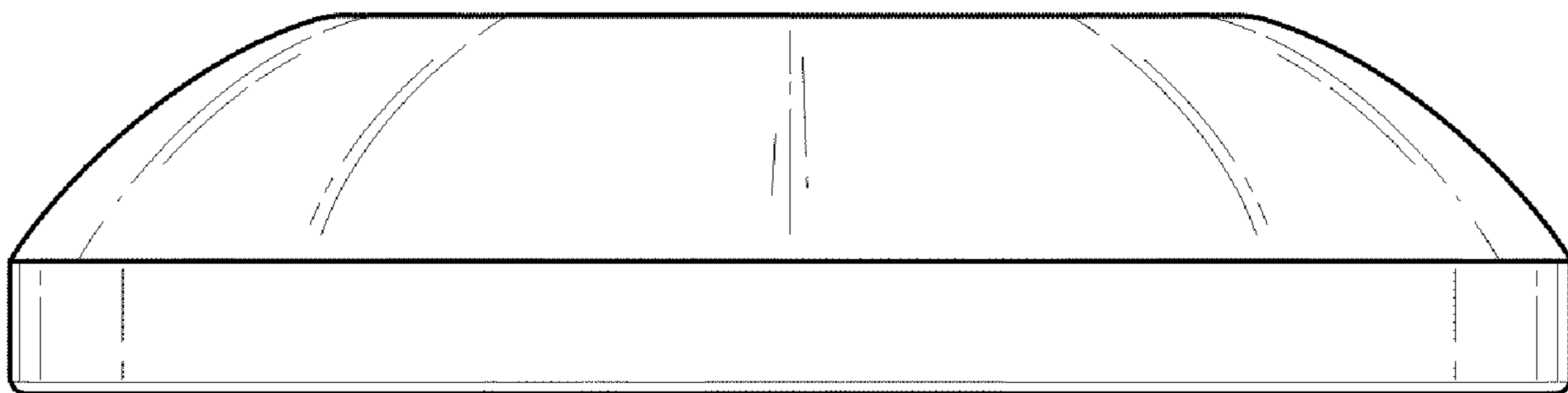


Fig. 6

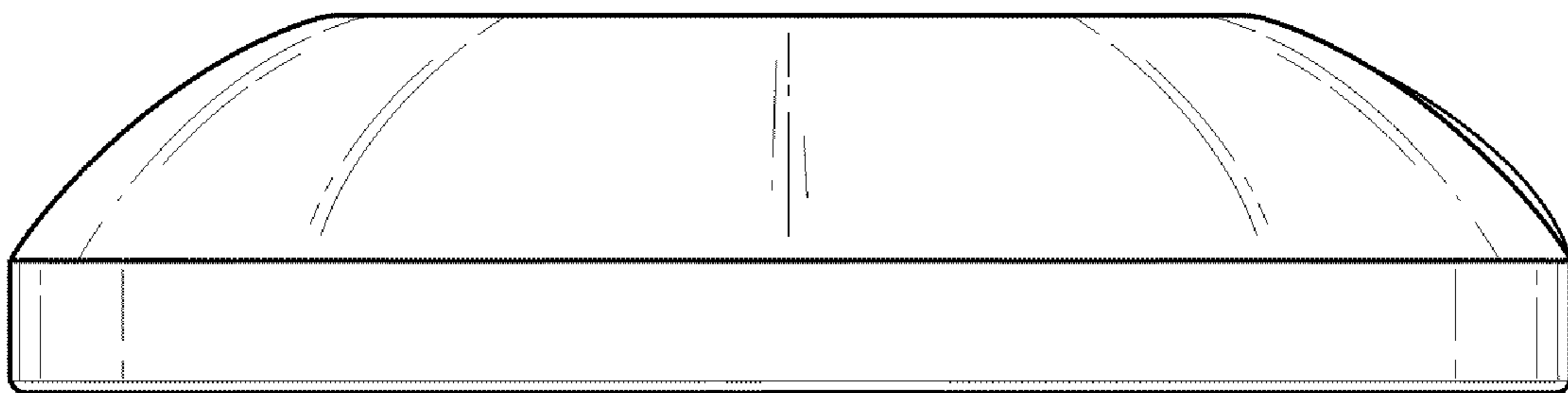


Fig. 7