



US00D642721S

(12) **United States Design Patent**
Li et al.

(10) **Patent No.:** **US D642,721 S**
(45) **Date of Patent:** **** Aug. 2, 2011**

(54) **FLOOD LIGHT**

(75) Inventors: **Eddie Ping Kuen Li**, Hong Kong (CN);
Sue-Anne Tean Leung, Hong Kong
(CN)

(73) Assignee: **Huizhou Light Engine Ltd.**, Huizhou,
Guangdong (CN)

(**) Term: **14 Years**

(21) Appl. No.: **29/377,727**

(22) Filed: **Oct. 25, 2010**

(51) **LOC (9) Cl.** **26-05**

(52) **U.S. Cl.** **D26/63**

(58) **Field of Classification Search** D26/60-66,
D26/72, 85, 87; 362/145, 147, 191, 310,
362/311.01, 319, 362, 370, 371-373, 430,
362/269-271, 273, 277, 282, 285, 287, 289,
362/294, 640, 418, 427, 432, 449

See application file for complete search history.

(56) **References Cited**

U.S. PATENT DOCUMENTS

D355,502 S * 2/1995 Liao D26/67
5,788,363 A * 8/1998 Kamaya et al. 362/285
D547,478 S * 7/2007 Guercio D26/63
D566,318 S * 4/2008 Quiogue et al. D26/63

D591,883 S * 5/2009 Gill D26/63
7,780,318 B2 * 8/2010 Xiao et al. 362/371
D629,550 S * 12/2010 Sandell D26/63
2010/0296287 A1 * 11/2010 Huang 362/249.02

* cited by examiner

Primary Examiner — Susan M Lee

Assistant Examiner — Linda Brooks

(74) *Attorney, Agent, or Firm* — Dickstein Shapiro LLP

(57) **CLAIM**

The ornamental design for a flood light, as shown and described.

DESCRIPTION

FIG. 1 is a front perspective view of a flood light showing our new design;

FIG. 2 is a rear perspective view of the flood light shown in FIG. 1;

FIG. 3 is a front view of the flood light shown in FIG. 1;

FIG. 4 is a left side view of the flood light shown in FIG. 1;

FIG. 5 is a right side view of the flood light shown in FIG. 1;

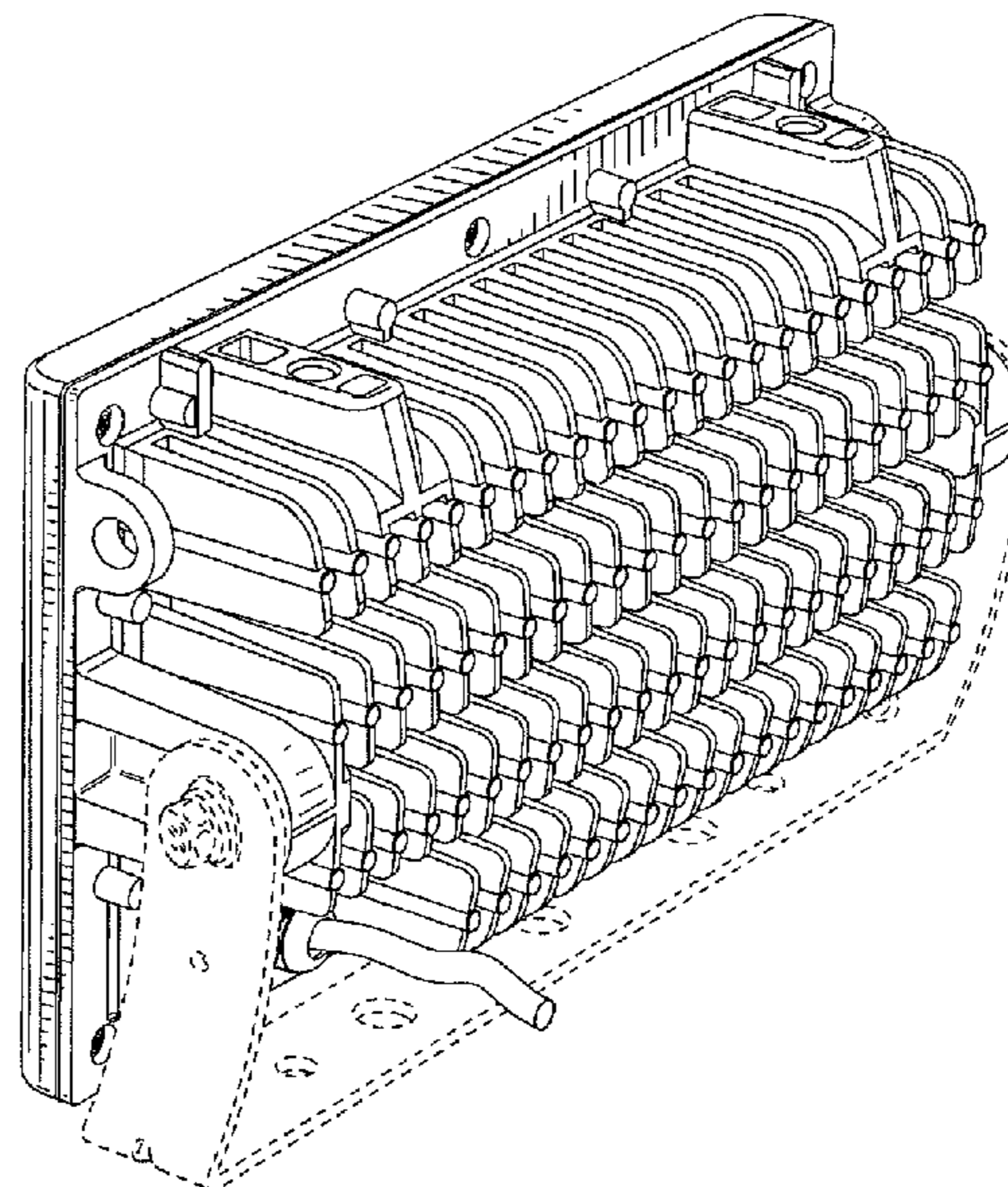
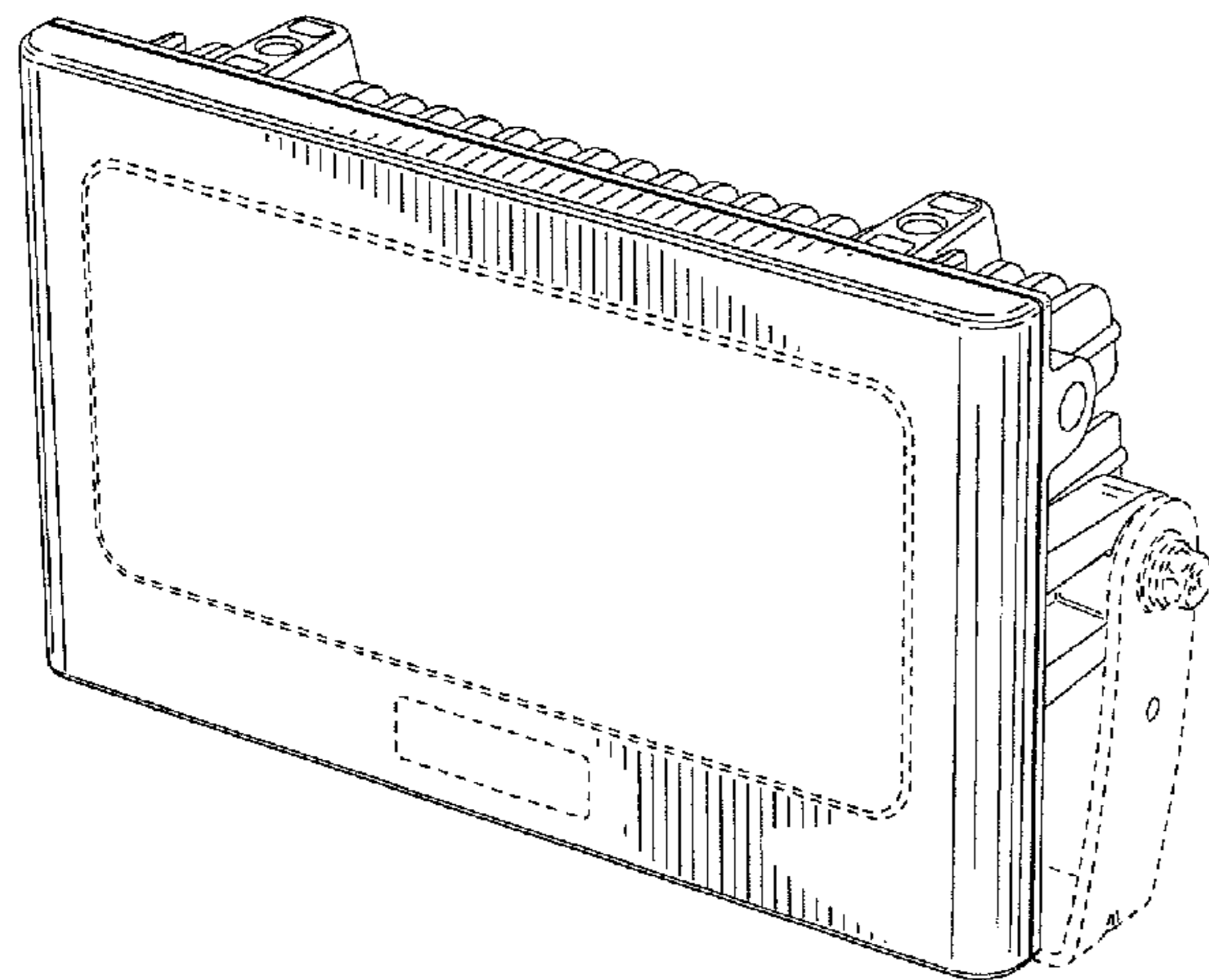
FIG. 6 is a rear view of the flood light shown in FIG. 1;

FIG. 7 is a top view of the flood light shown in FIG. 1; and,

FIG. 8 is a bottom view of the flood light shown in FIG. 1.

The broken lines shown in FIGS. 1-8 of the drawings are for illustrative purposes only and form no part of the claimed design.

1 Claim, 6 Drawing Sheets



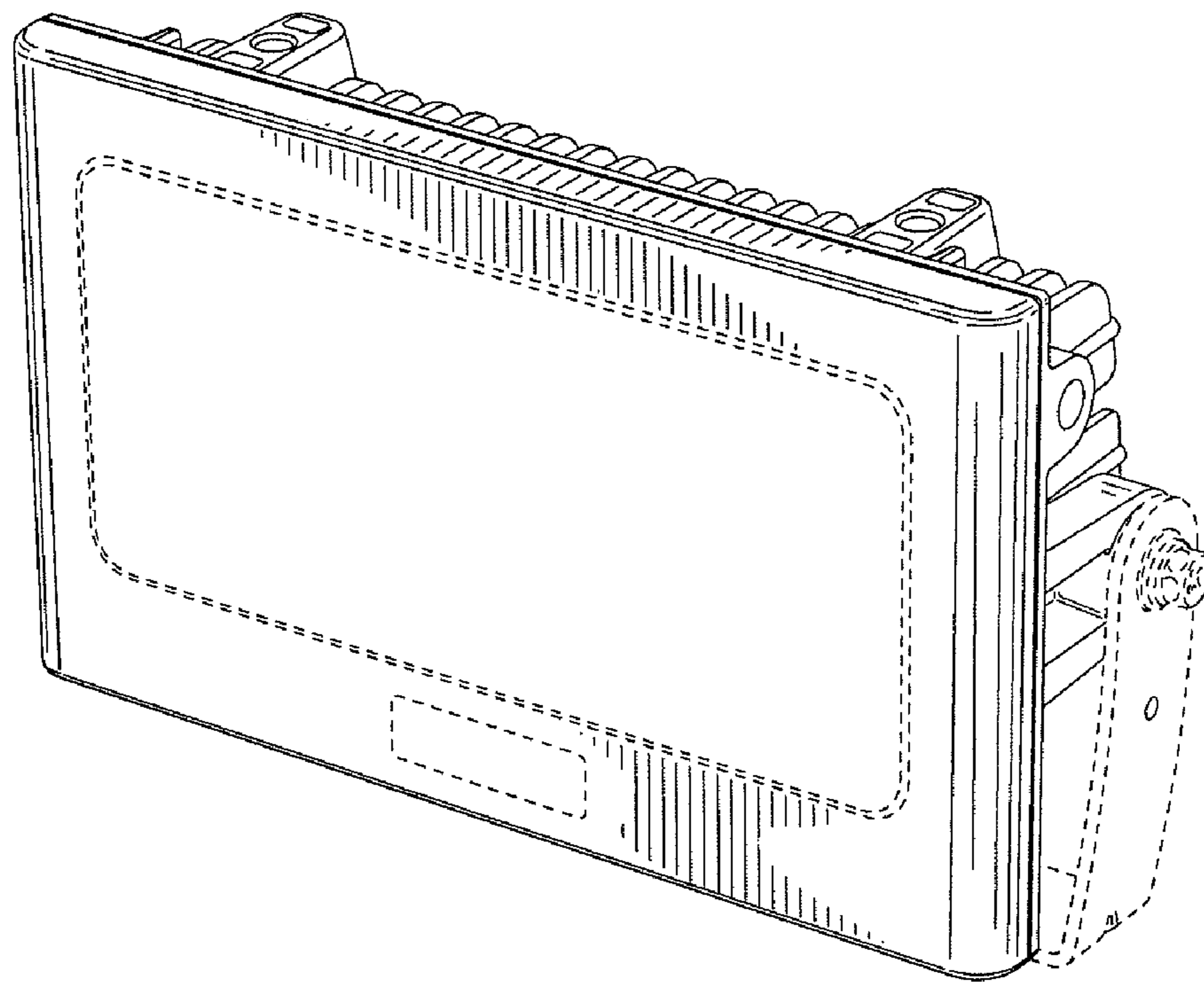


FIG. 1

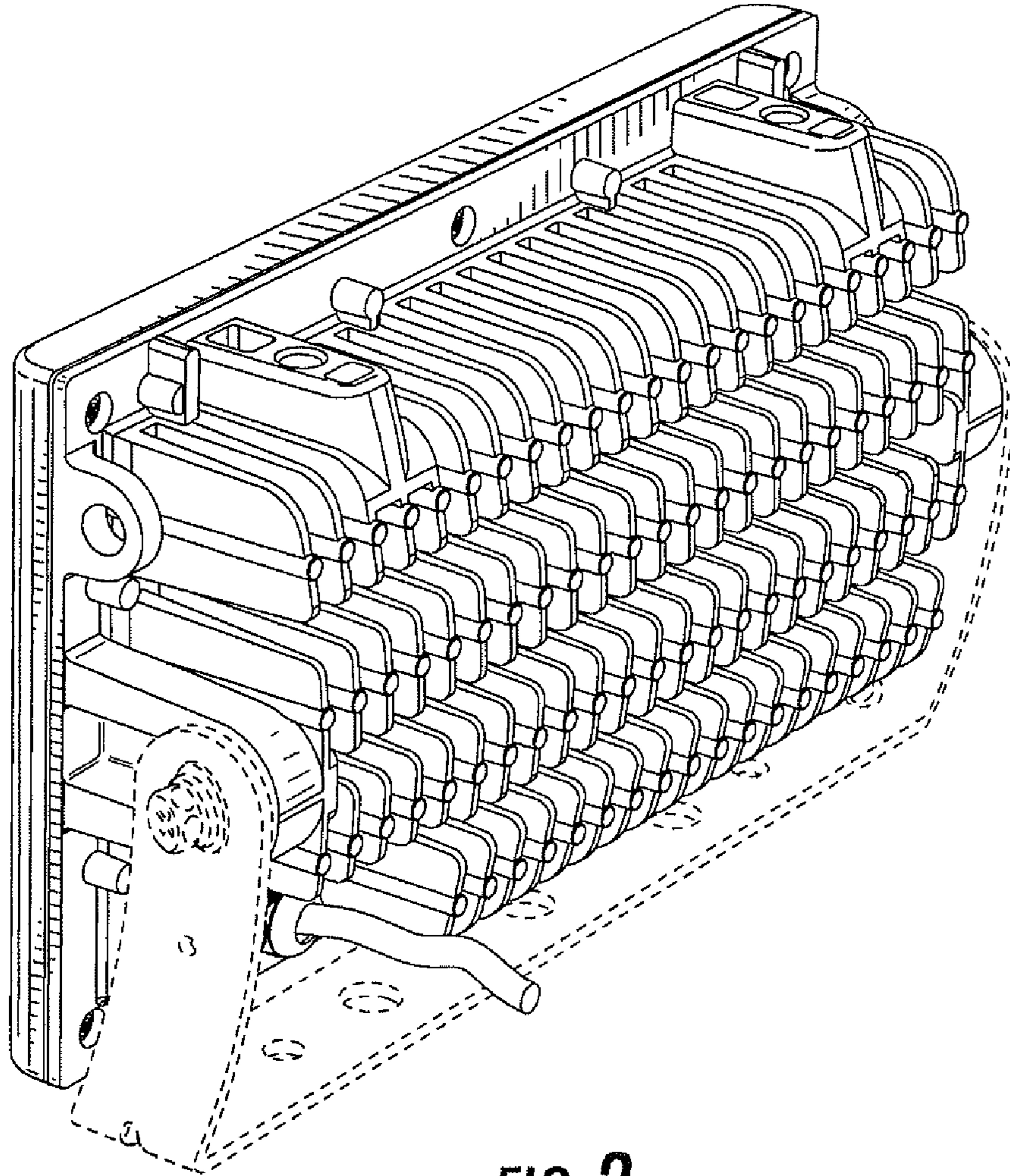


FIG. 2

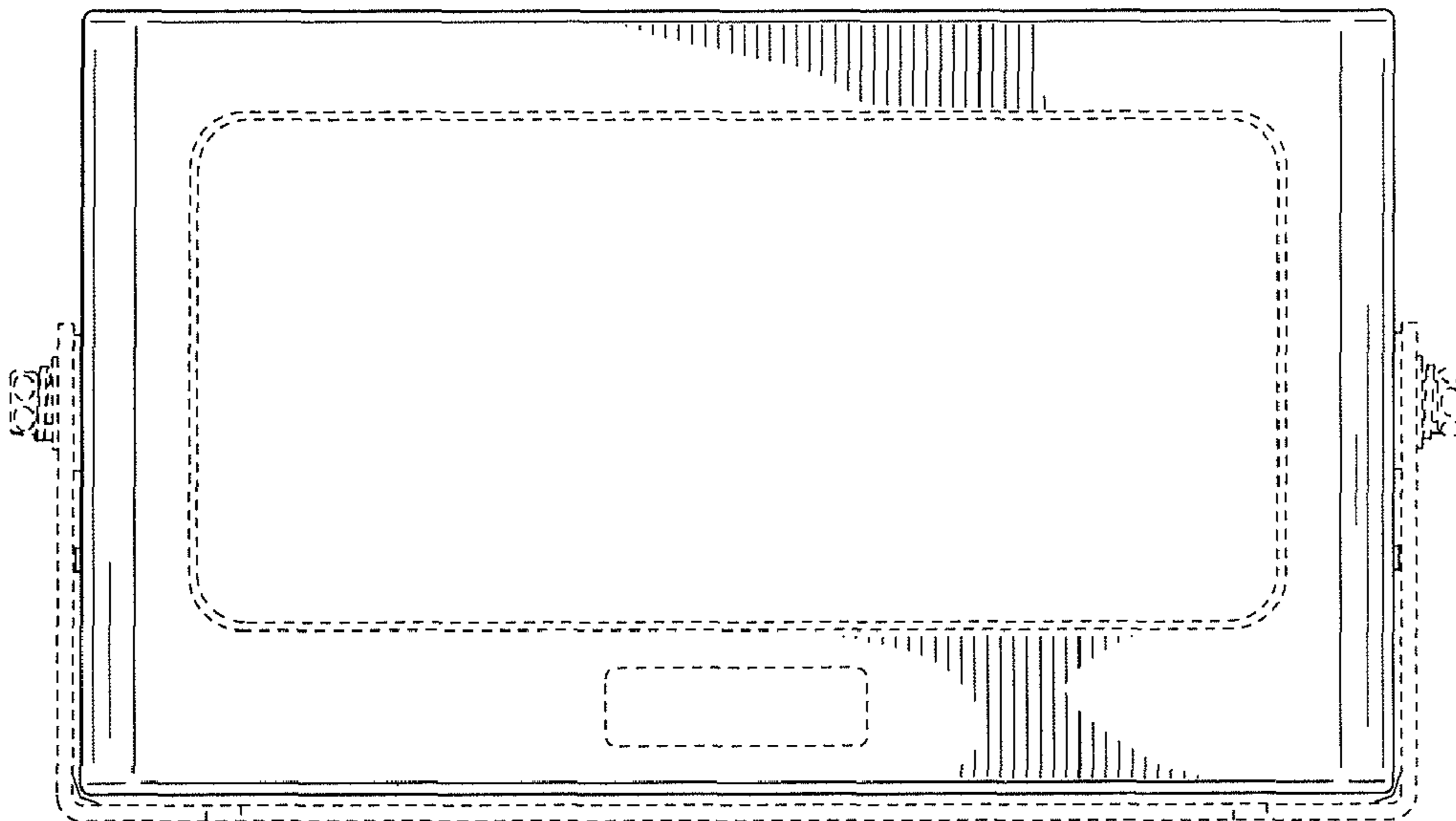


FIG. 3

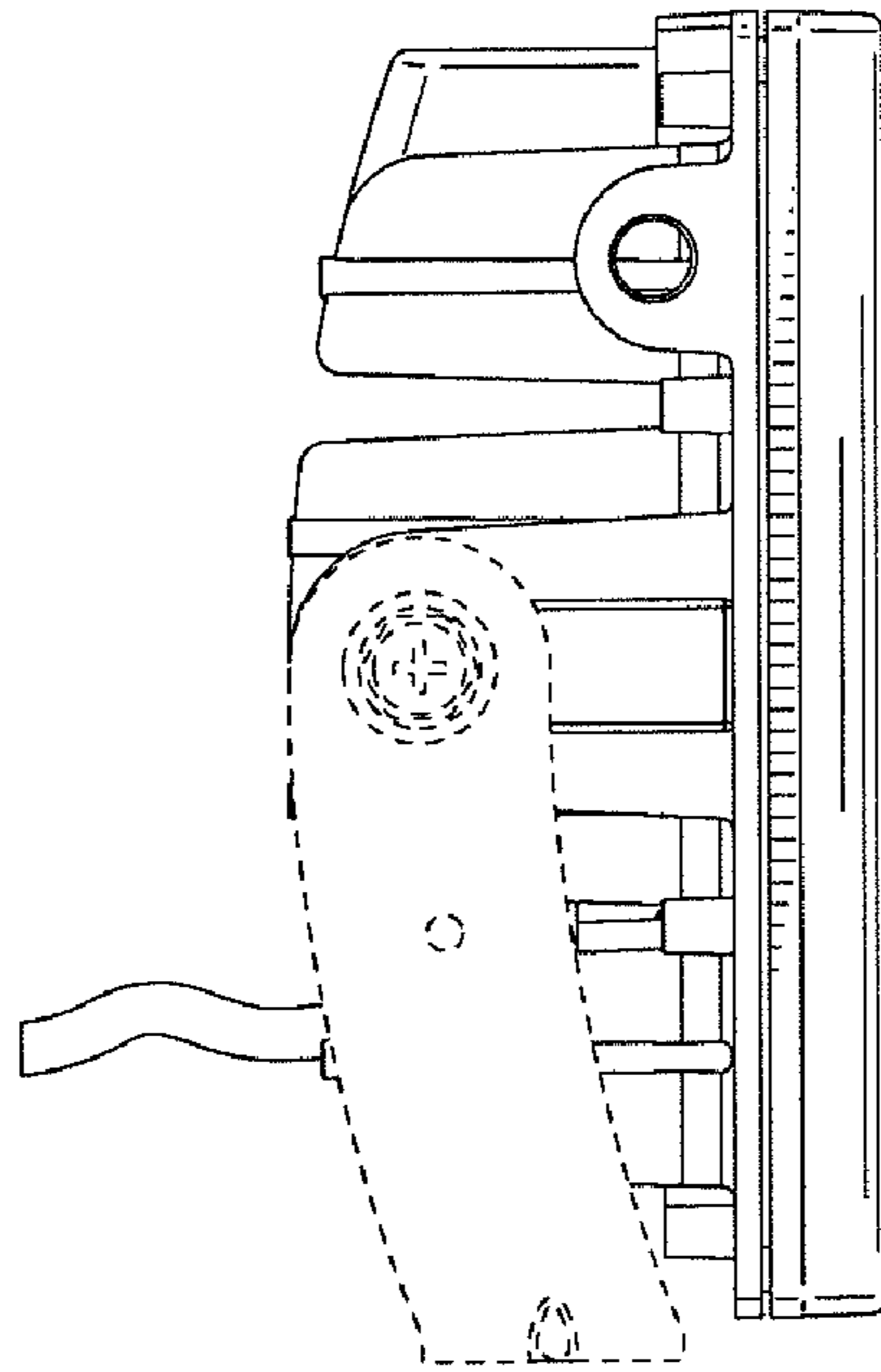


FIG. 4

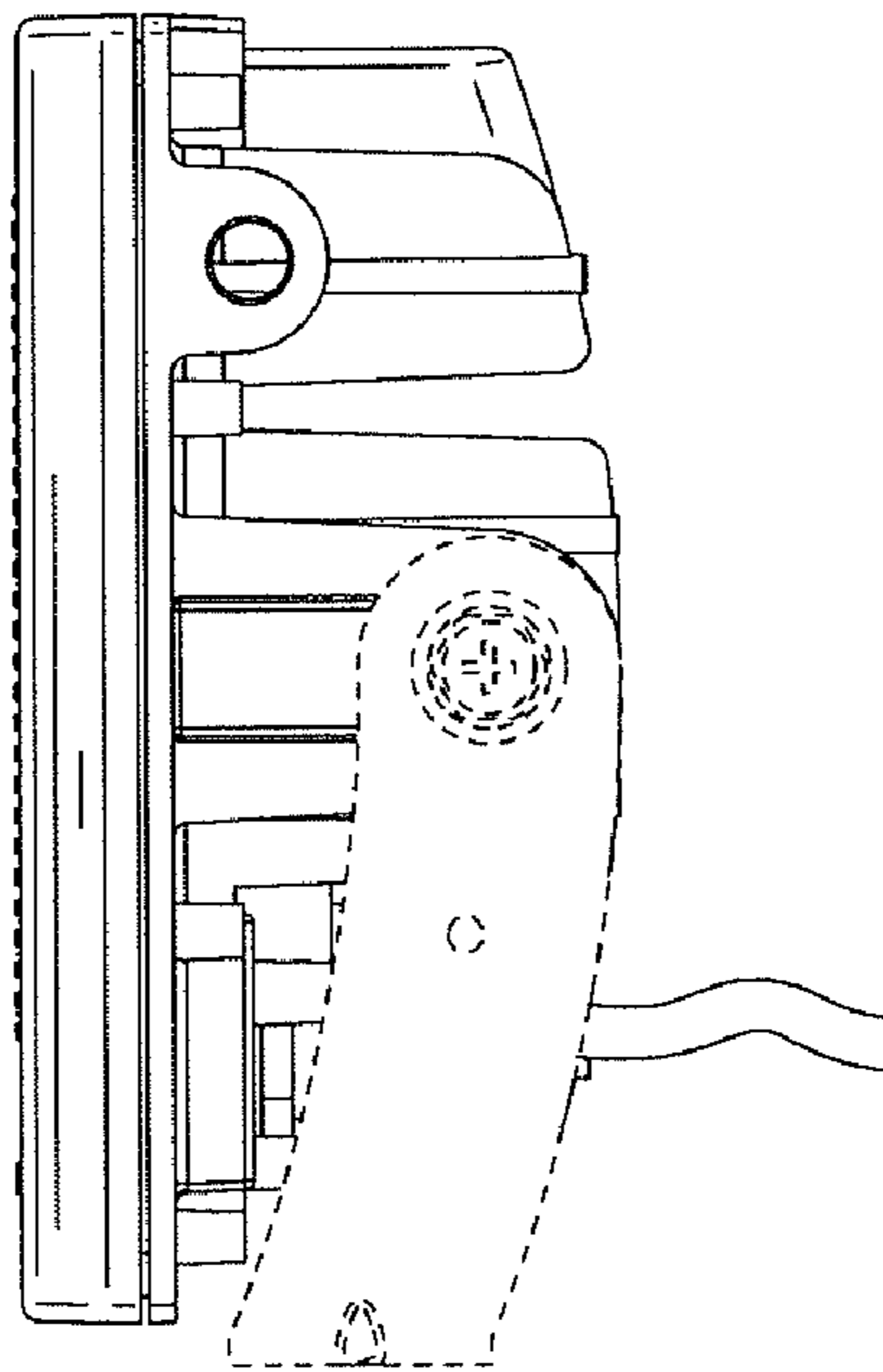


FIG. 5

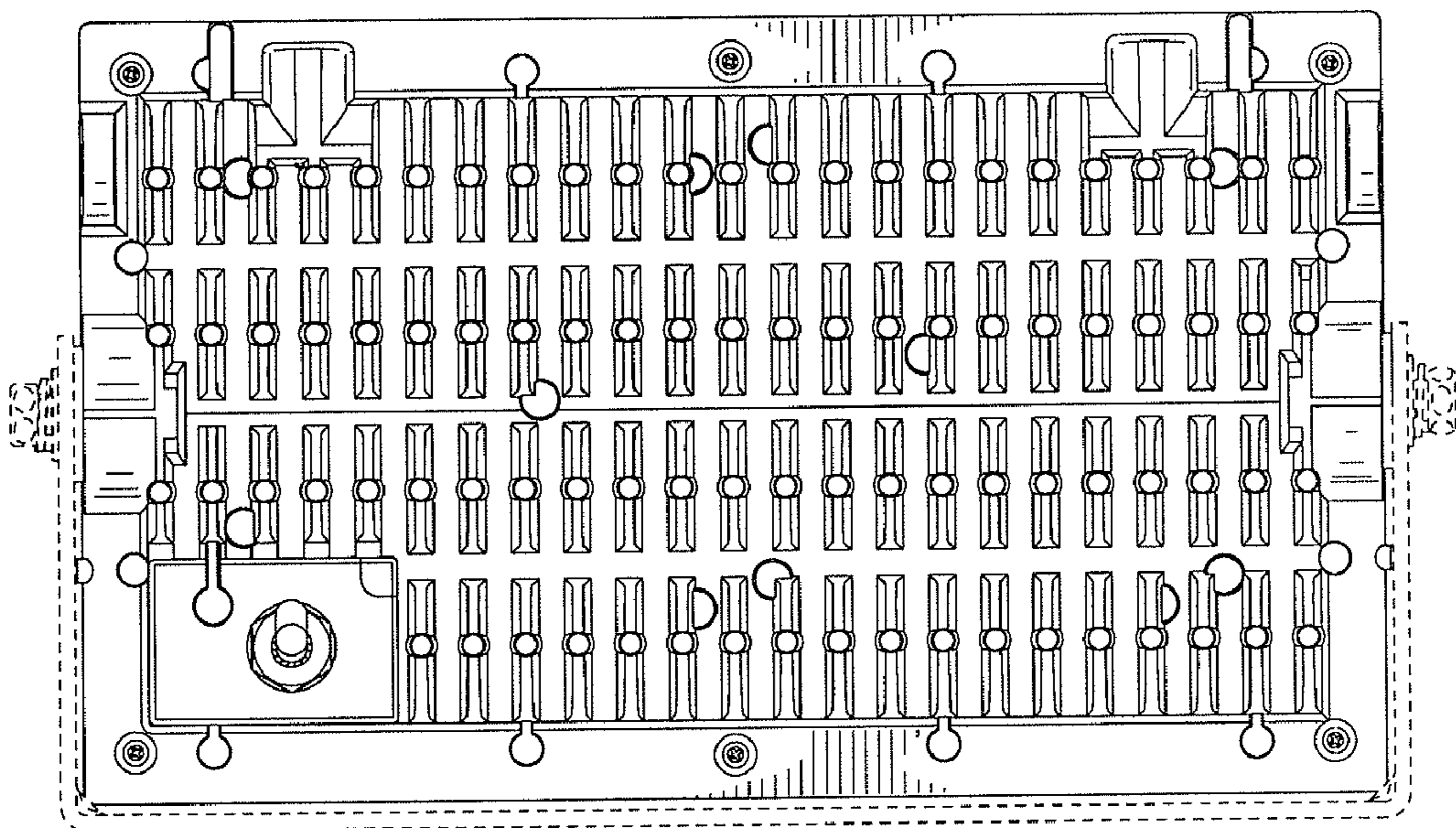


FIG. 6

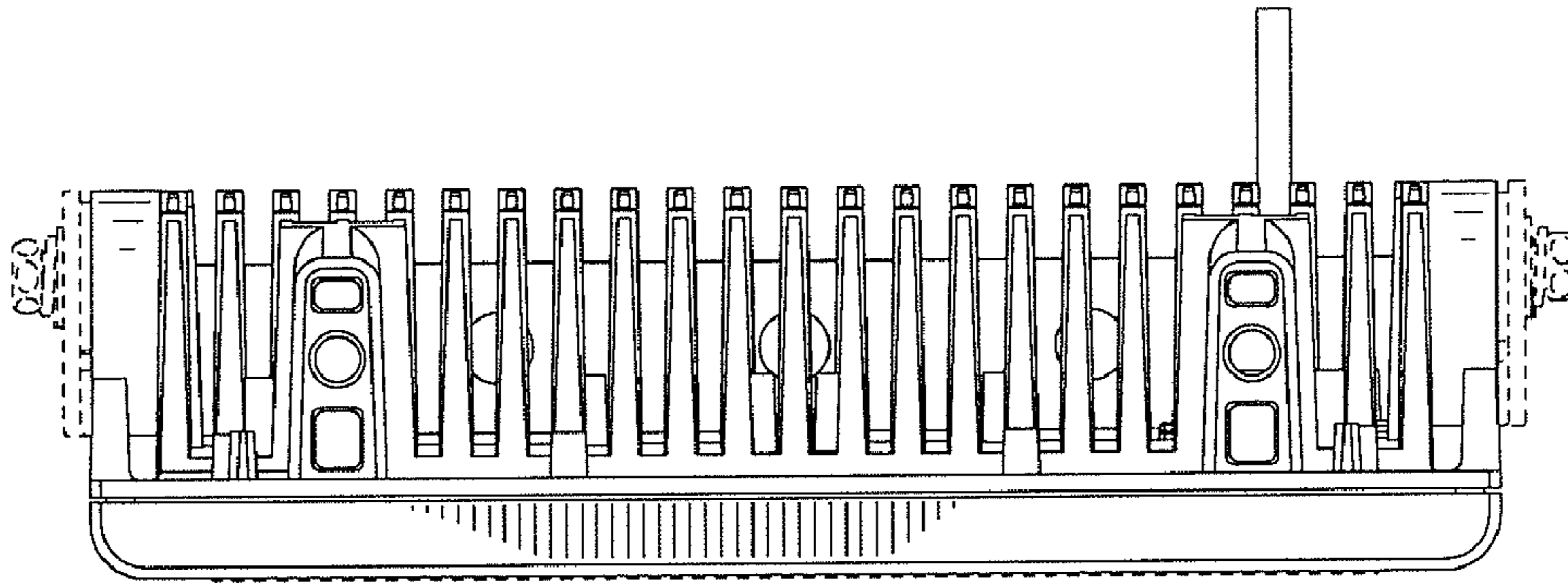


FIG. 7

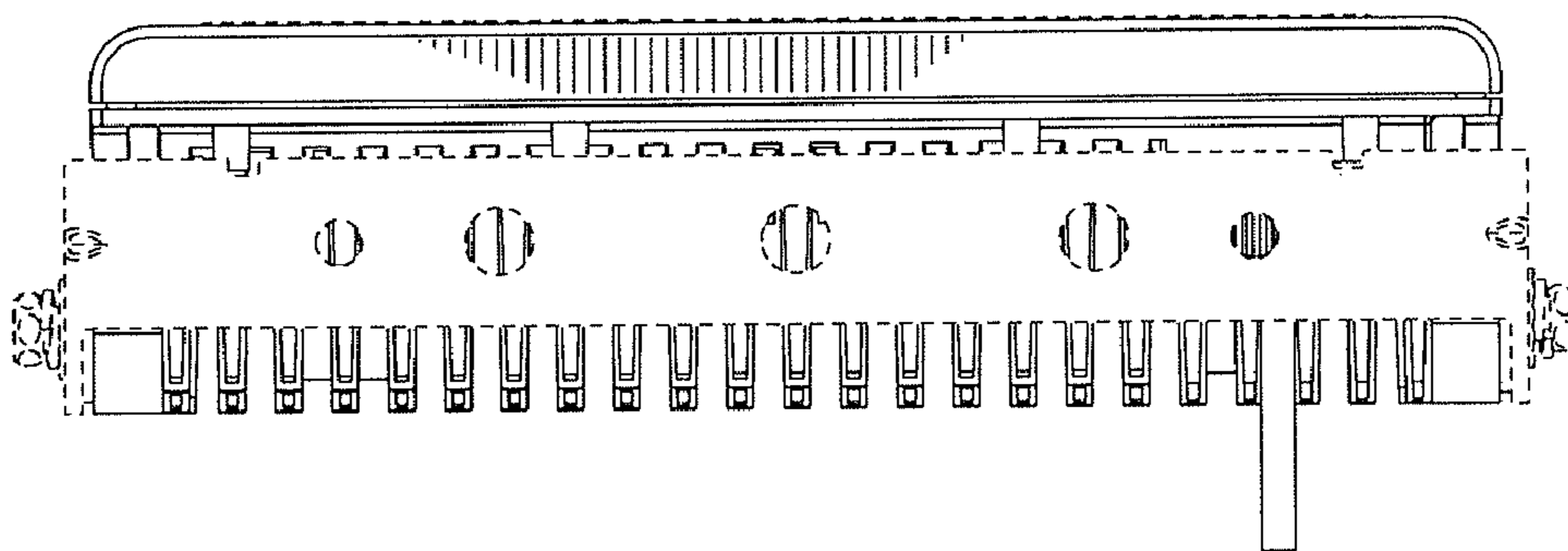


FIG. 8