



US00D642720S

(12) **United States Design Patent**
You

(10) **Patent No.:** **US D642,720 S**

(45) **Date of Patent:** **** Aug. 2, 2011**

(54) **SPOTLIGHT**

(75) Inventor: **Tae Woo You**, Songpa-gu (KR)

(73) Assignee: **Dongmyung Lighting Co., Ltd.** (KR)

(**) Term: **14 Years**

(21) Appl. No.: **29/370,130**

(22) Filed: **Jun. 8, 2010**

(30) **Foreign Application Priority Data**

Apr. 2, 2010 (KR) 30-2010-0014471

(51) **LOC (9) Cl.** **26-05**

(52) **U.S. Cl.** **D26/63**

(58) **Field of Classification Search** D26/60-66,
D26/72, 81, 83-85, 87-92, 118; 362/647,
362/648, 371-373, 264, 145, 147, 148, 269-271,
362/277, 280-285, 287-289, 311.13, 319,
362/404, 408, 418, 419, 427, 430, 432, 213,
362/215

See application file for complete search history.

(56) **References Cited**

U.S. PATENT DOCUMENTS

D538,959 S *	3/2007	Kosche	D26/63
D541,456 S *	4/2007	Kosche	D26/63
D568,518 S *	5/2008	Schmidt	D26/63
D585,579 S *	1/2009	Lehman	D26/63
D587,832 S *	3/2009	Bergmann et al.	D26/63
D625,451 S *	10/2010	Rashidi	D26/63
D625,867 S *	10/2010	Rashidi	D26/63
D625,868 S *	10/2010	Rashidi	D26/63
D625,869 S *	10/2010	Rashidi	D26/63
D627,498 S *	11/2010	Chipperfield	D26/63
7,850,363 B1 *	12/2010	Speidel et al.	362/648
D630,360 S *	1/2011	Rashidi	D26/63
D630,361 S *	1/2011	Rashidi	D26/63
2010/0128483 A1 *	5/2010	Reo et al.	362/294
2010/0277933 A1 *	11/2010	Chen	362/432

* cited by examiner

Primary Examiner — Susan M Lee

Assistant Examiner — Linda Brooks

(74) *Attorney, Agent, or Firm* — Seyfarth Shaw LLP

(57) **CLAIM**

The ornamental design for a spotlight, as shown and described.

DESCRIPTION

FIG. 1 is a perspective view of the spotlight showing a new design;

FIG. 2 is a front view thereof;

FIG. 3 is a rear view thereof;

FIG. 4 is a left-side view thereof;

FIG. 5 is a right-side view thereof;

FIG. 6 is a top plan view thereof;

FIG. 7 is a bottom view thereof;

FIG. 8 is a perspective view showing the spotlight in an alternate position of use;

FIG. 9 is another perspective view showing the spotlight in an alternate position of use;

FIG. 10 is a partial enlarged perspective view of the upper portion thereof;

FIG. 11 is a partial enlarged front view of the upper portion thereof;

FIG. 12 is a partial enlarged left-side view of the upper portion thereof;

FIG. 13 is a partial enlarged left-side view of the lower portion thereof;

FIG. 14 is a partial enlarged top plan view of the left portion thereof;

FIG. 15 is a partial enlarged top plan view of the right portion thereof;

FIG. 16 is a partial enlarged bottom view of the left portion thereof;

FIG. 17 is a partial enlarged view of FIG. 8; and,

FIG. 18 is a partial enlarged view of FIG. 9.

The portions of the spotlight shown in broken lines form no part of the claimed design.

1 Claim, 18 Drawing Sheets

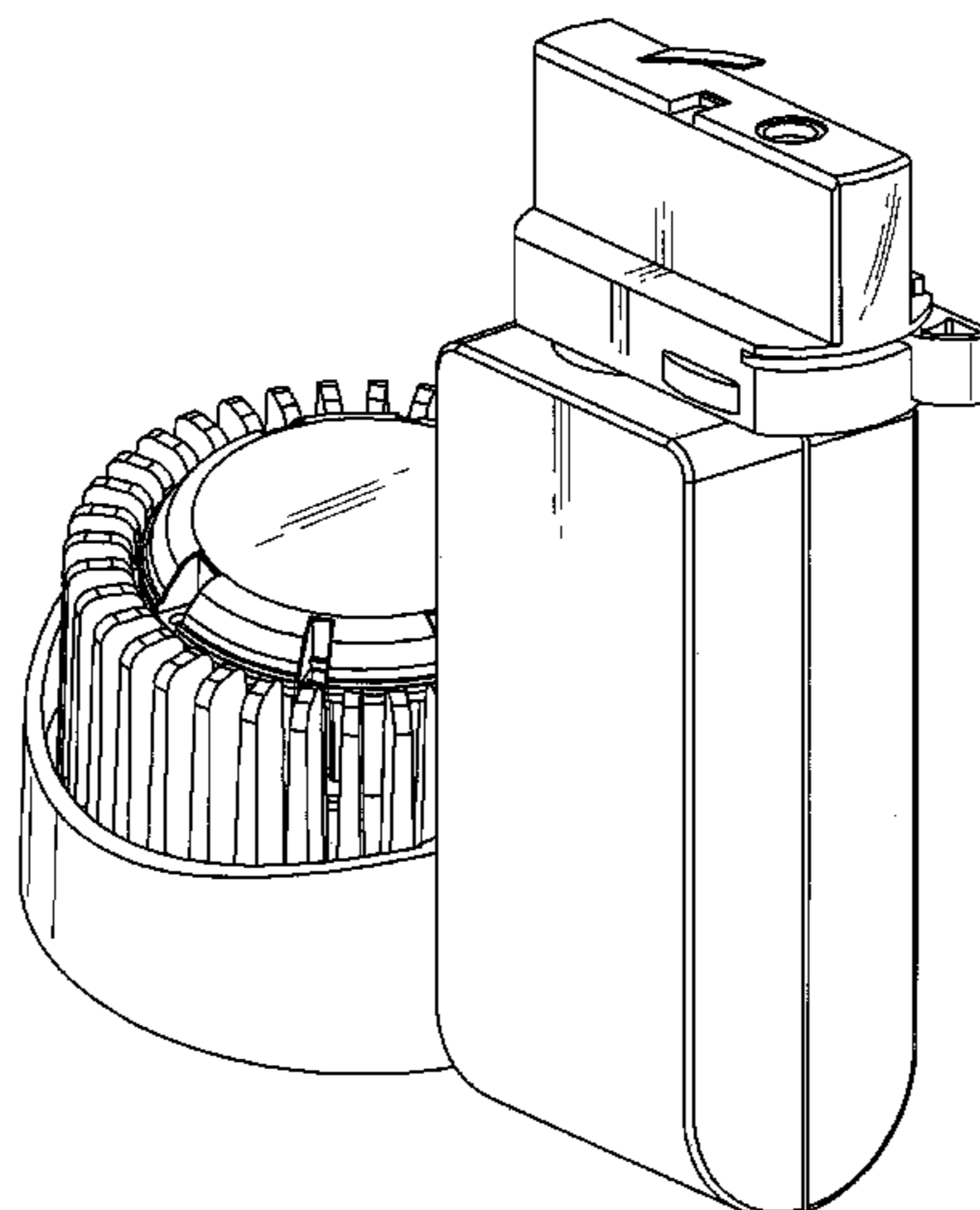


FIG. 1

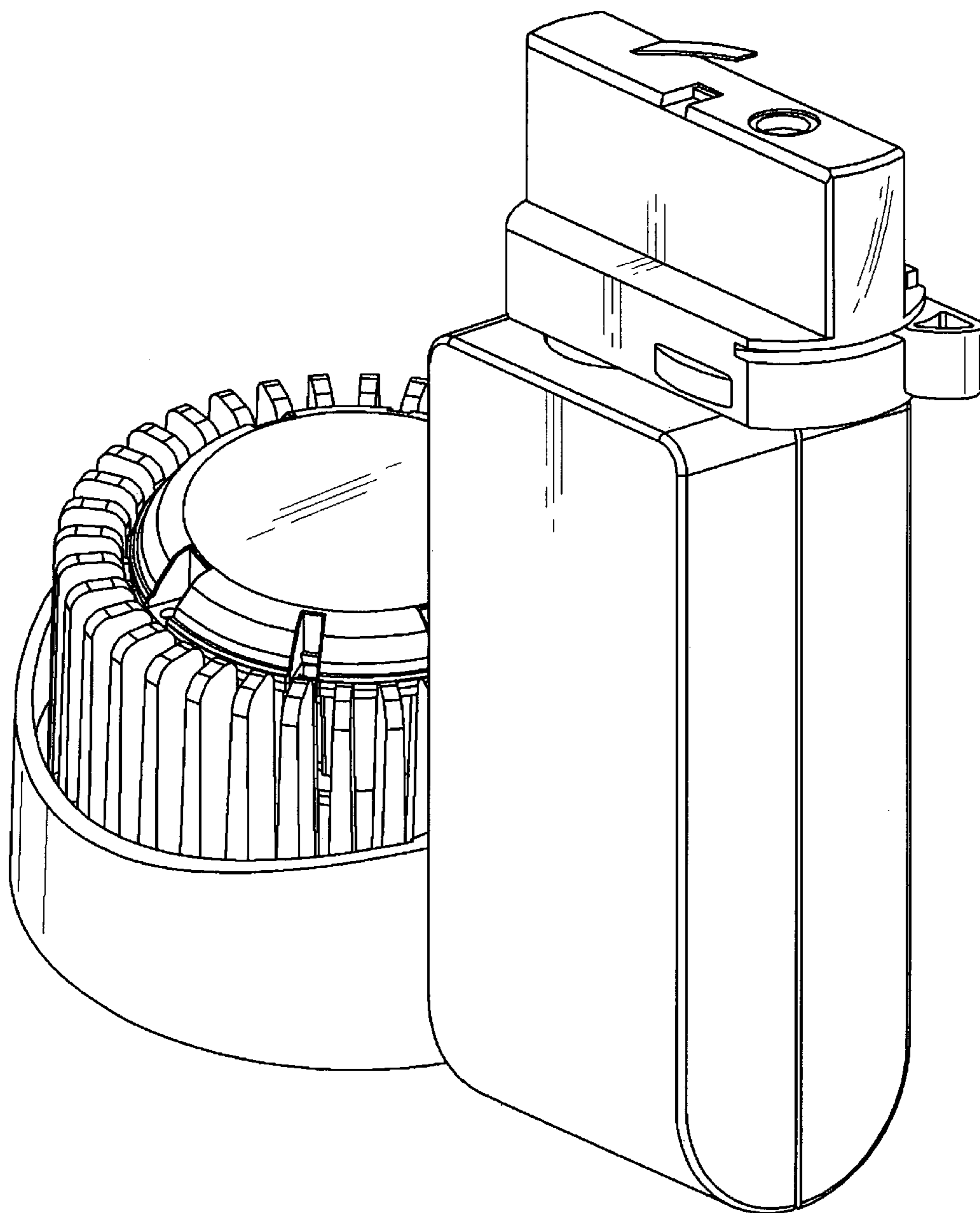


FIG. 2

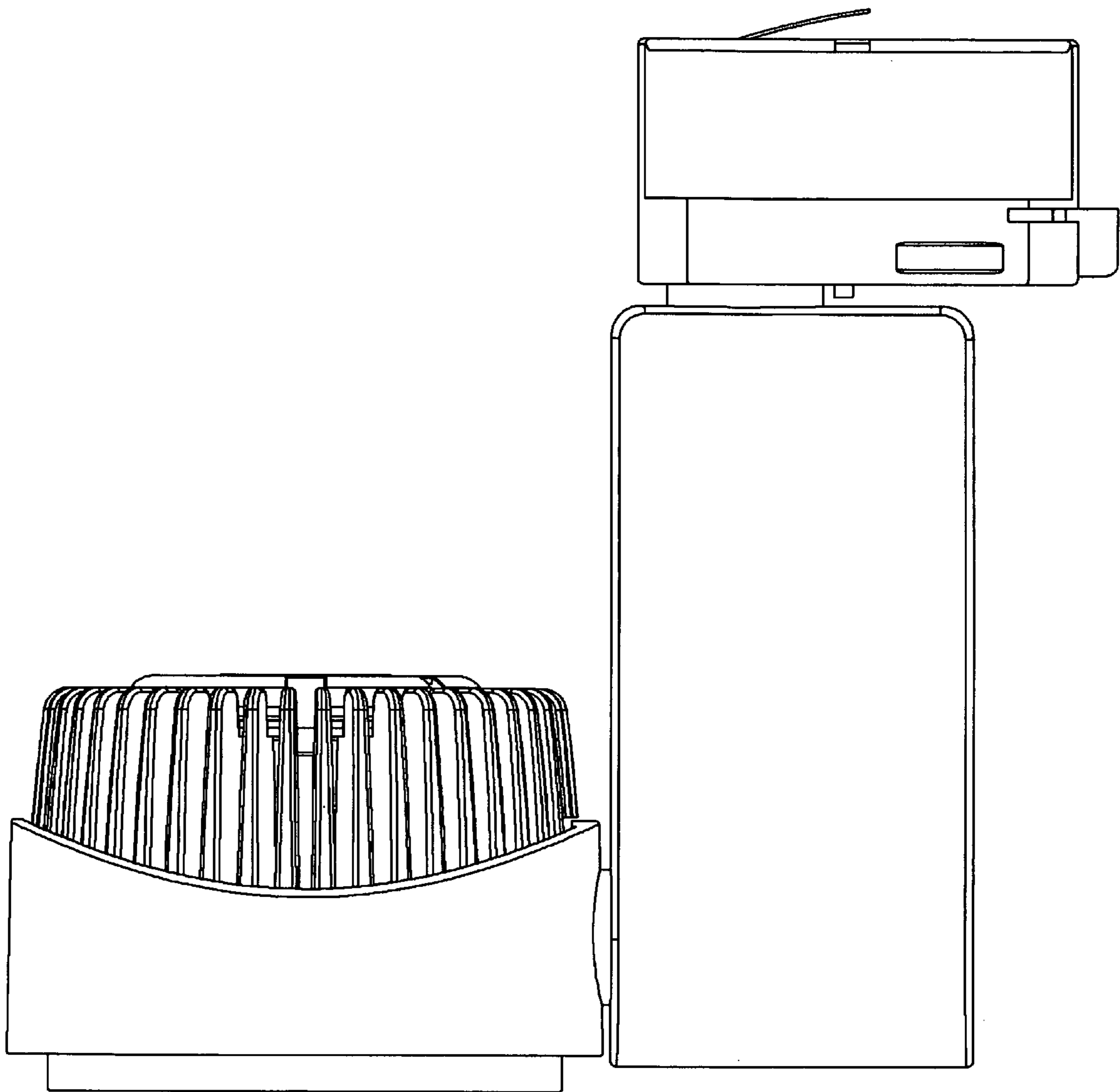


FIG. 3

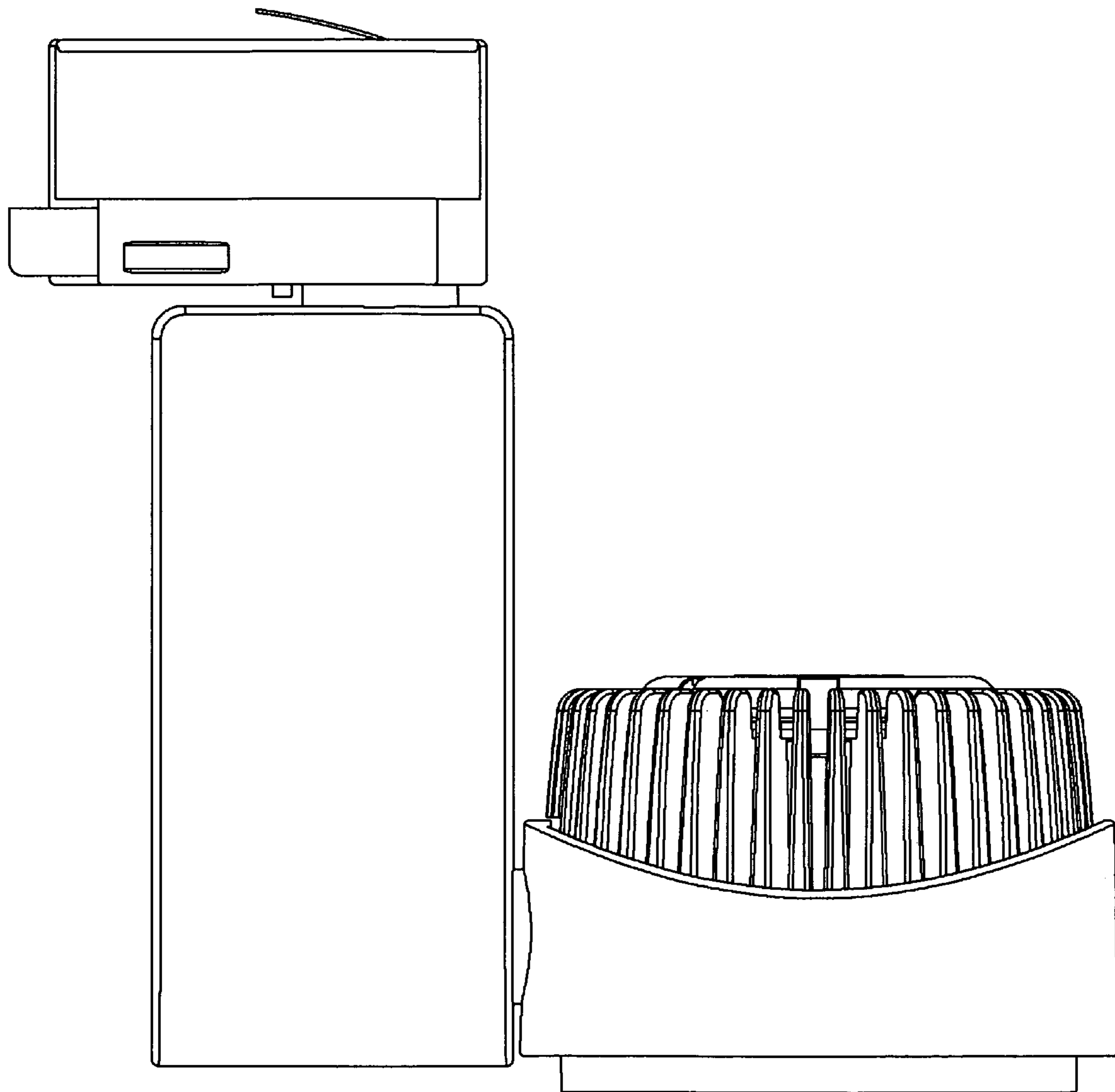


FIG. 4

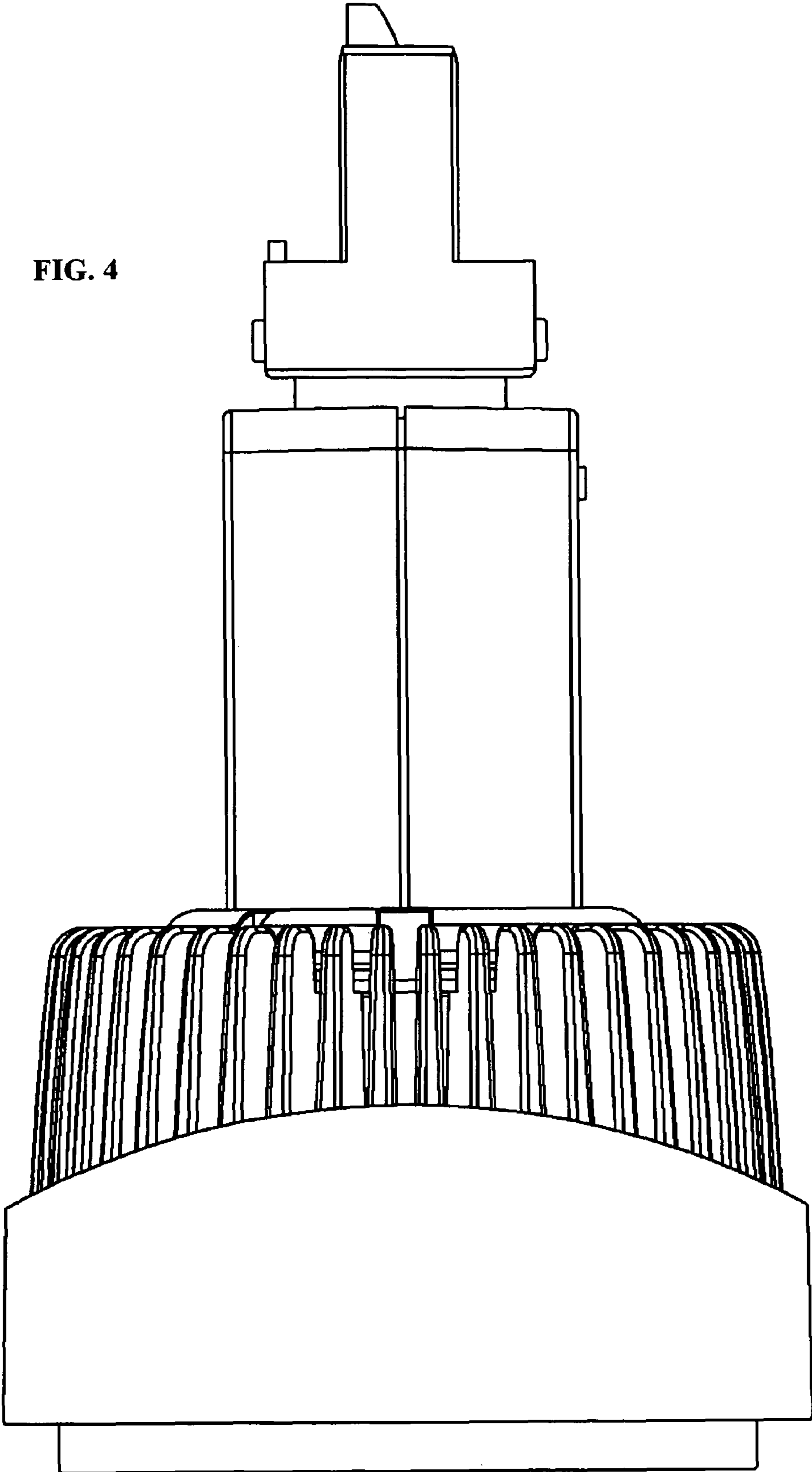
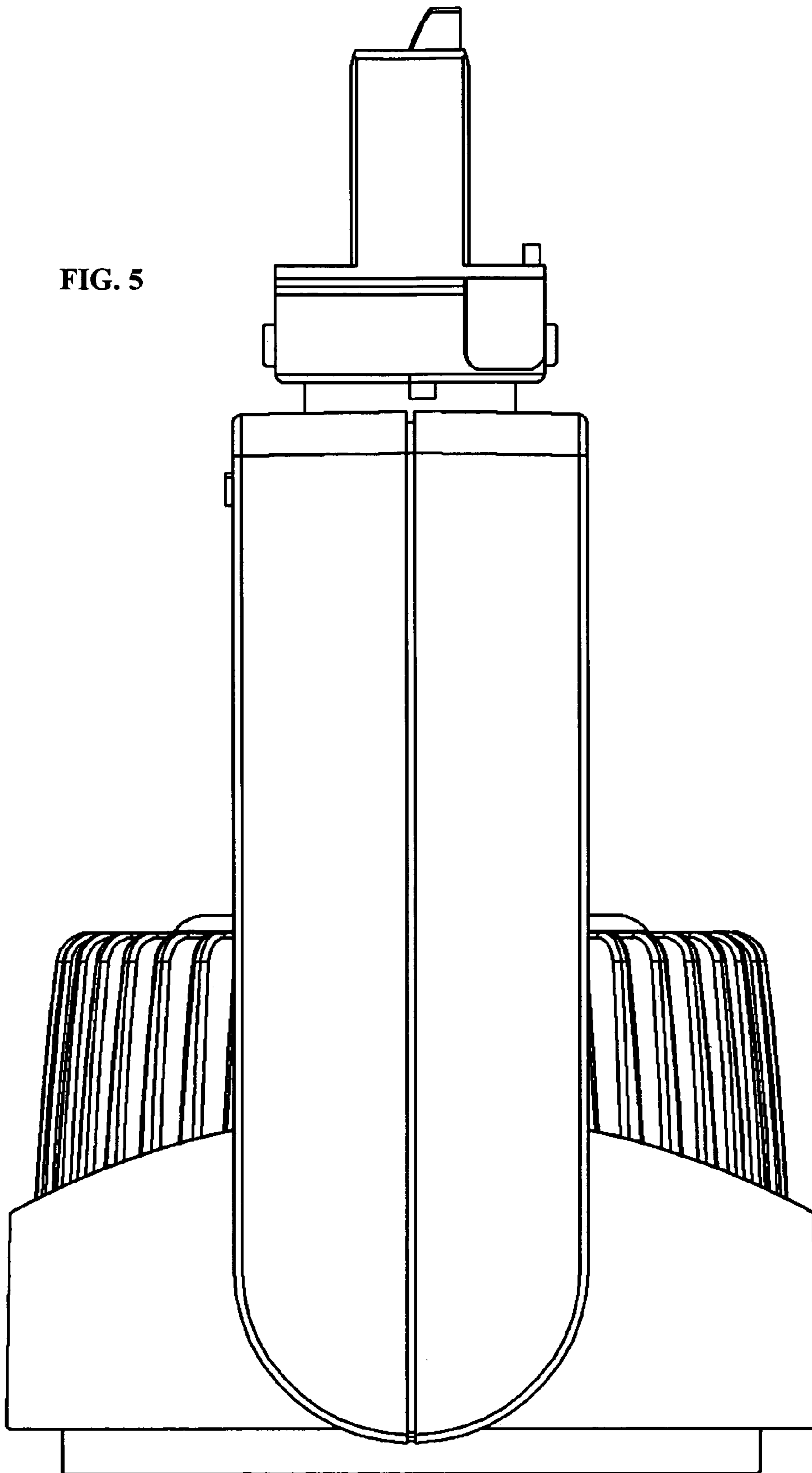
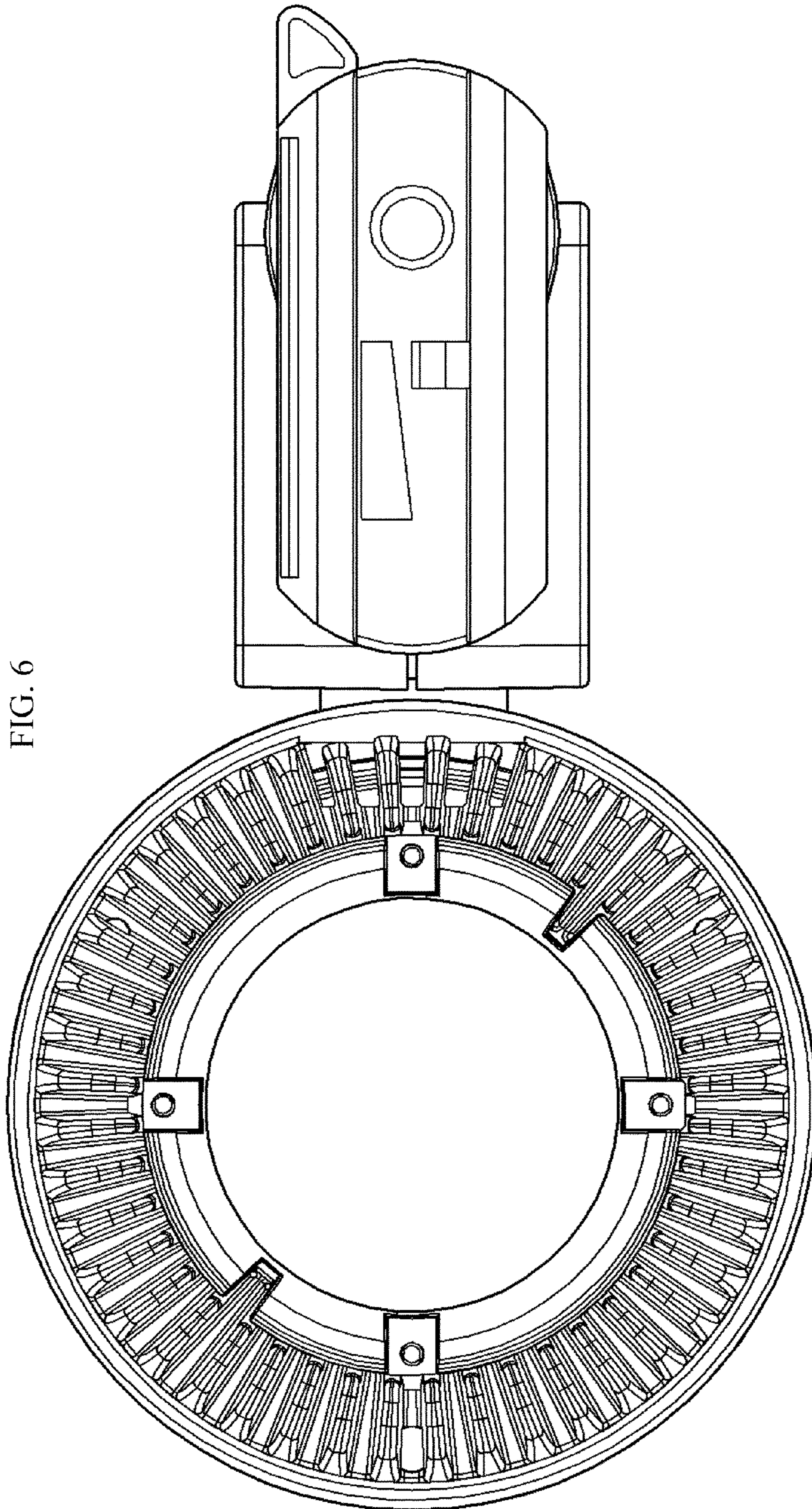


FIG. 5





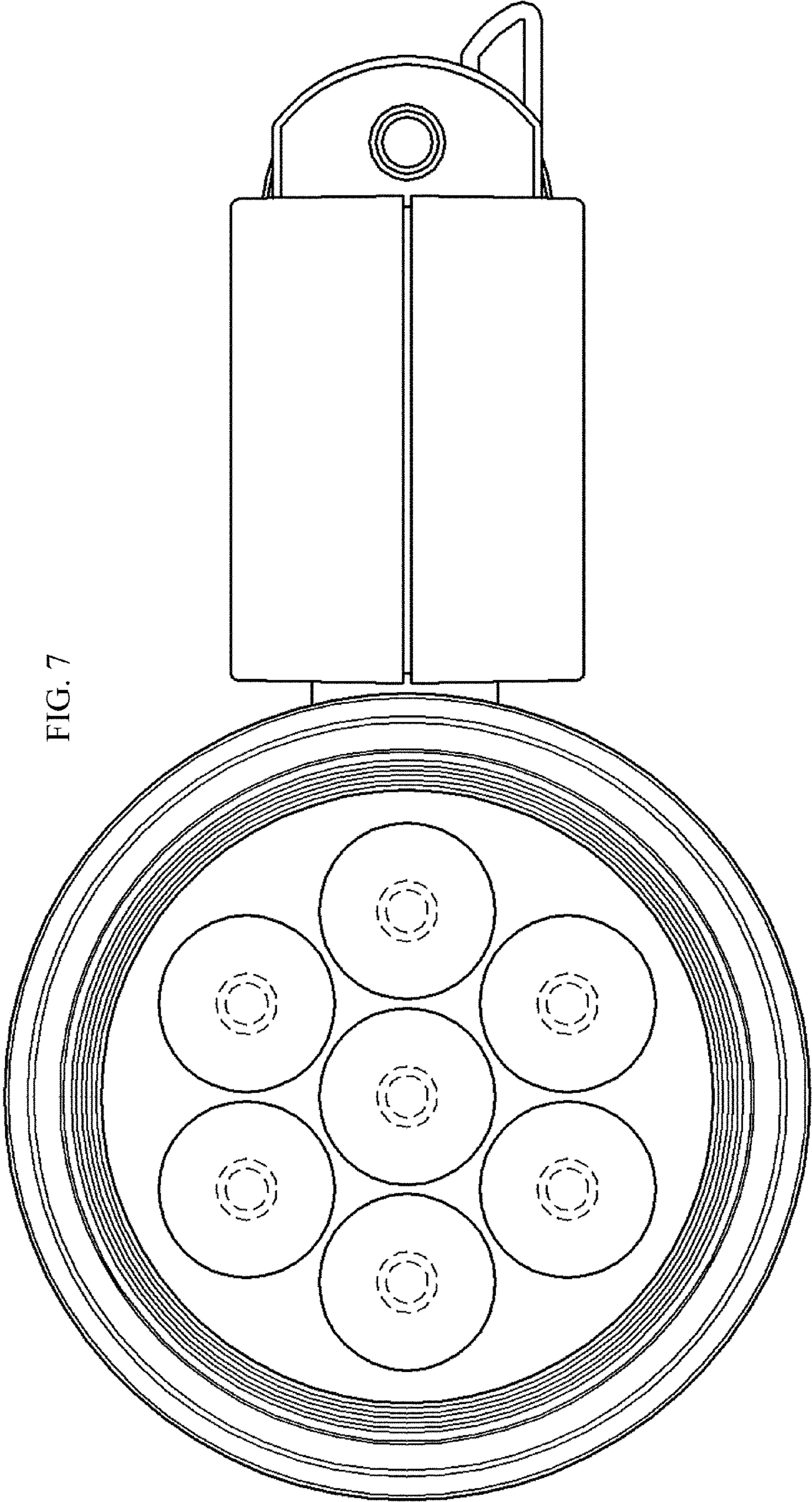


FIG. 7

FIG. 8

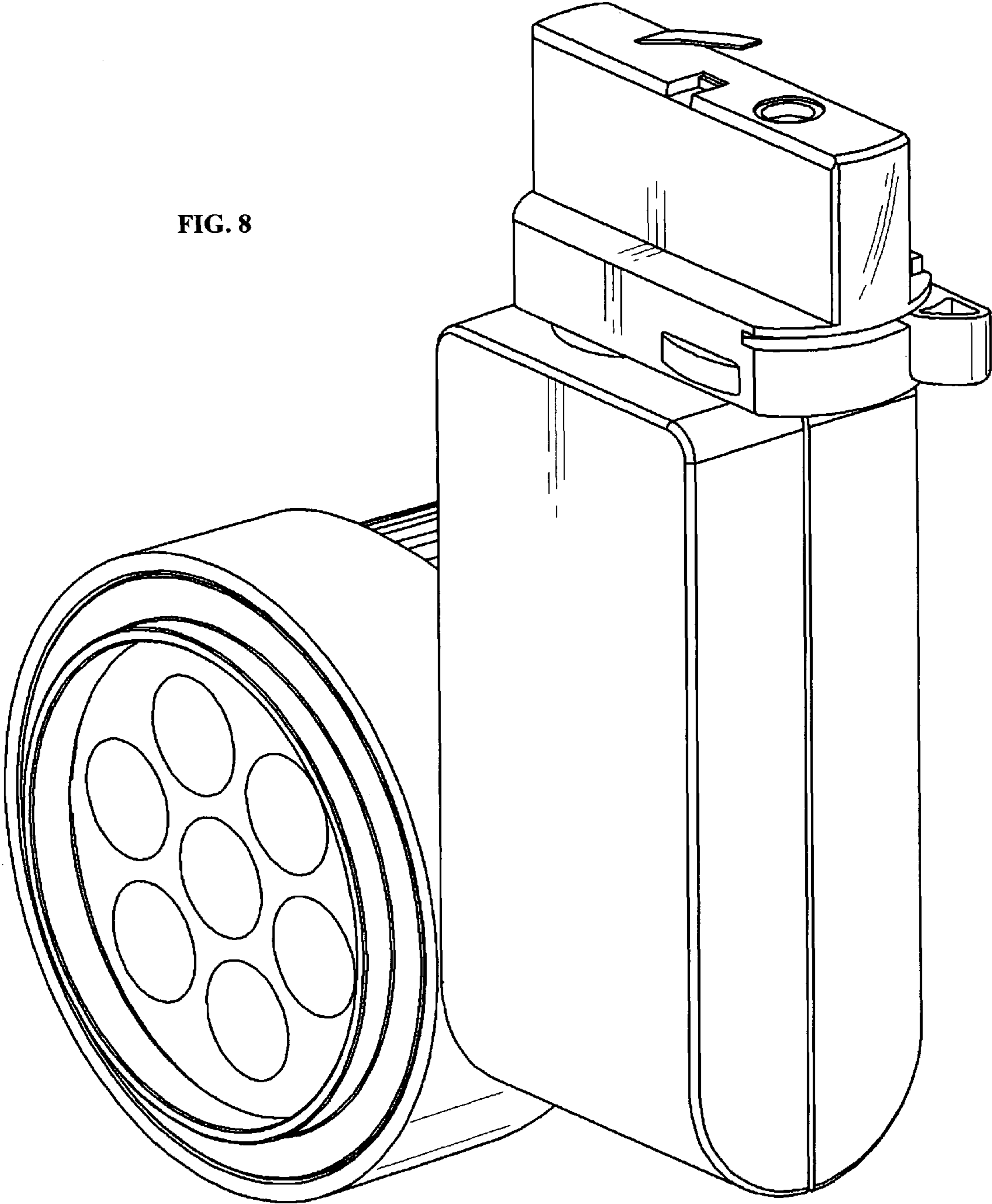
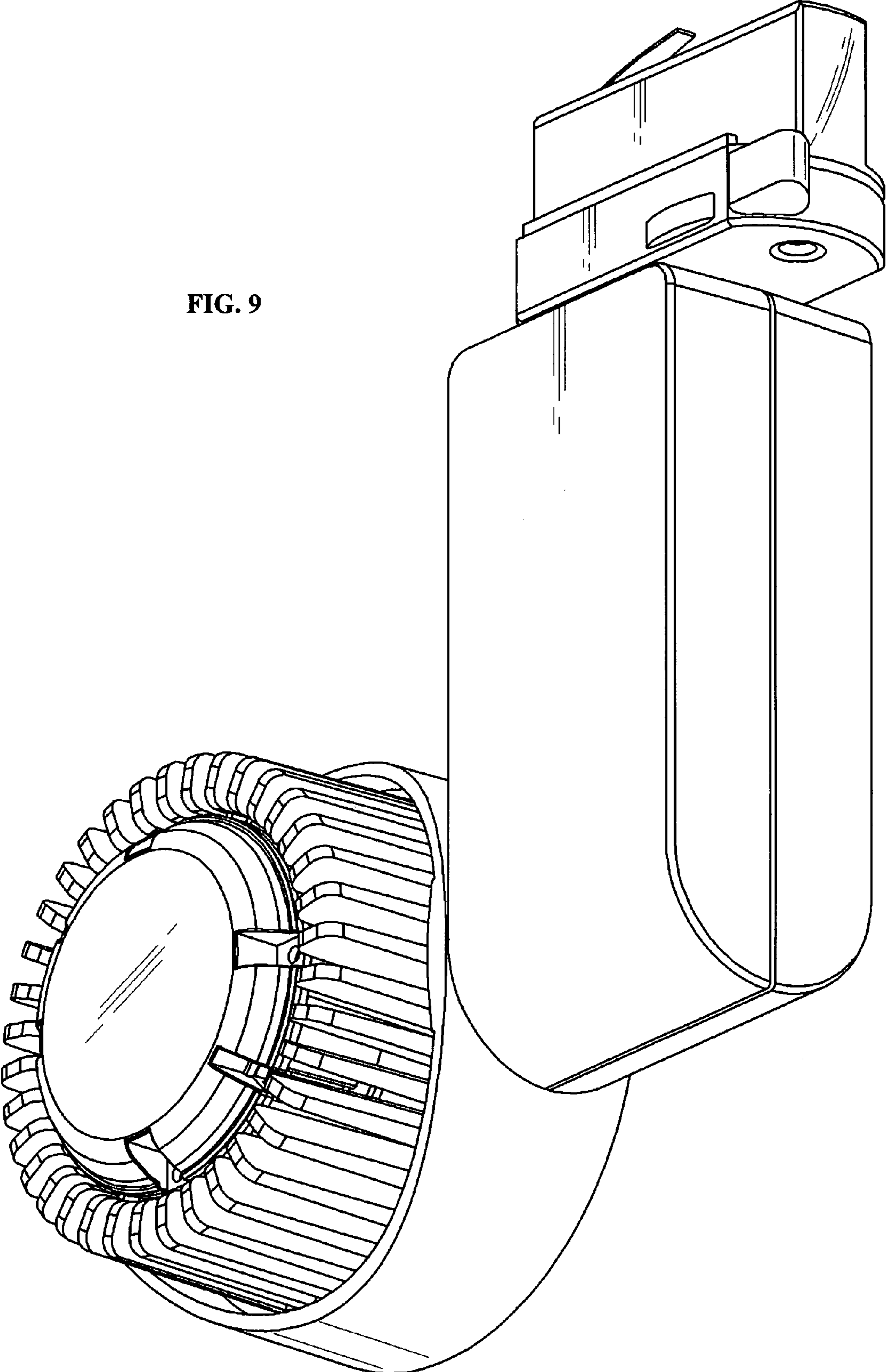


FIG. 9



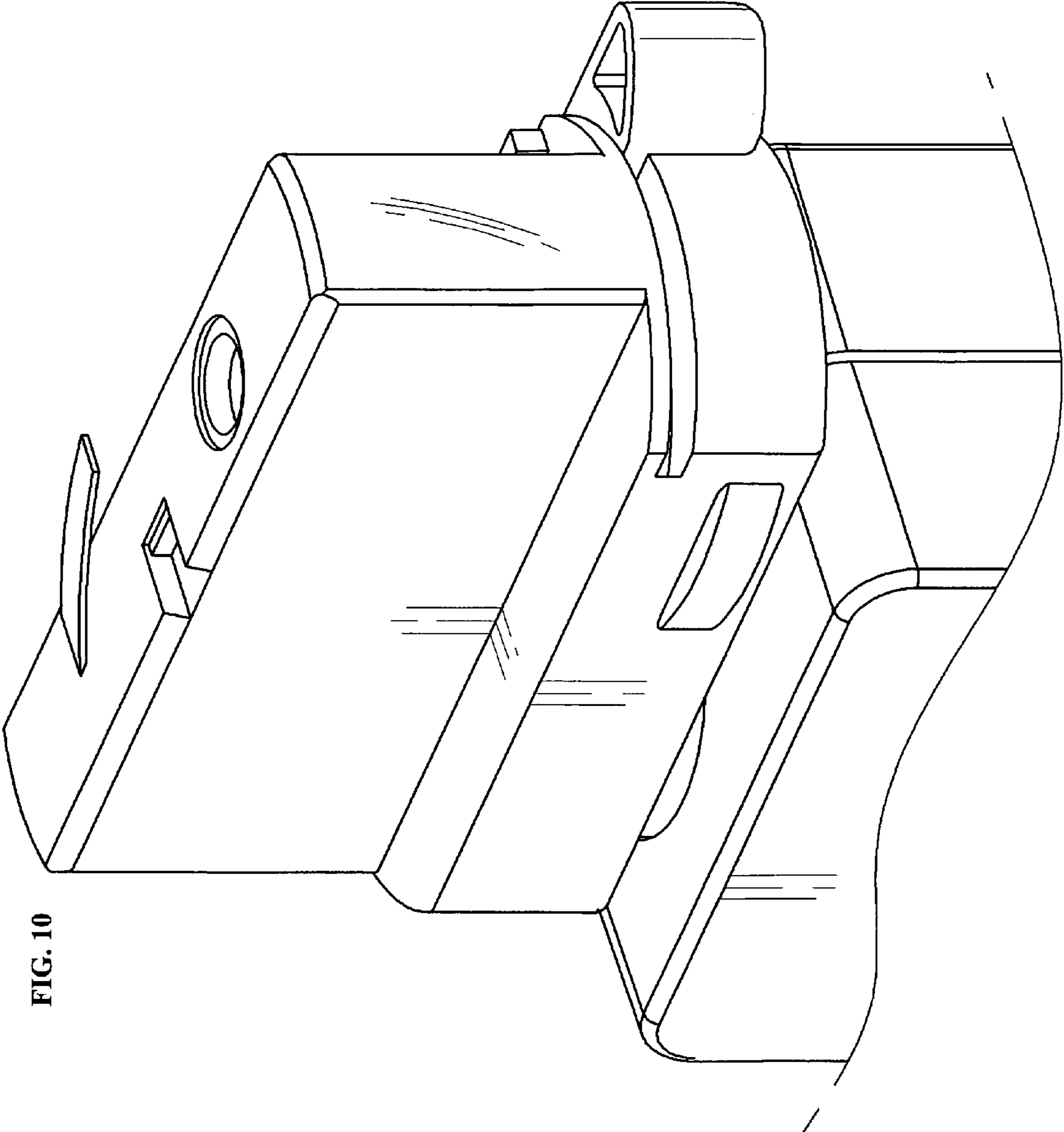


FIG. 10

FIG. 11

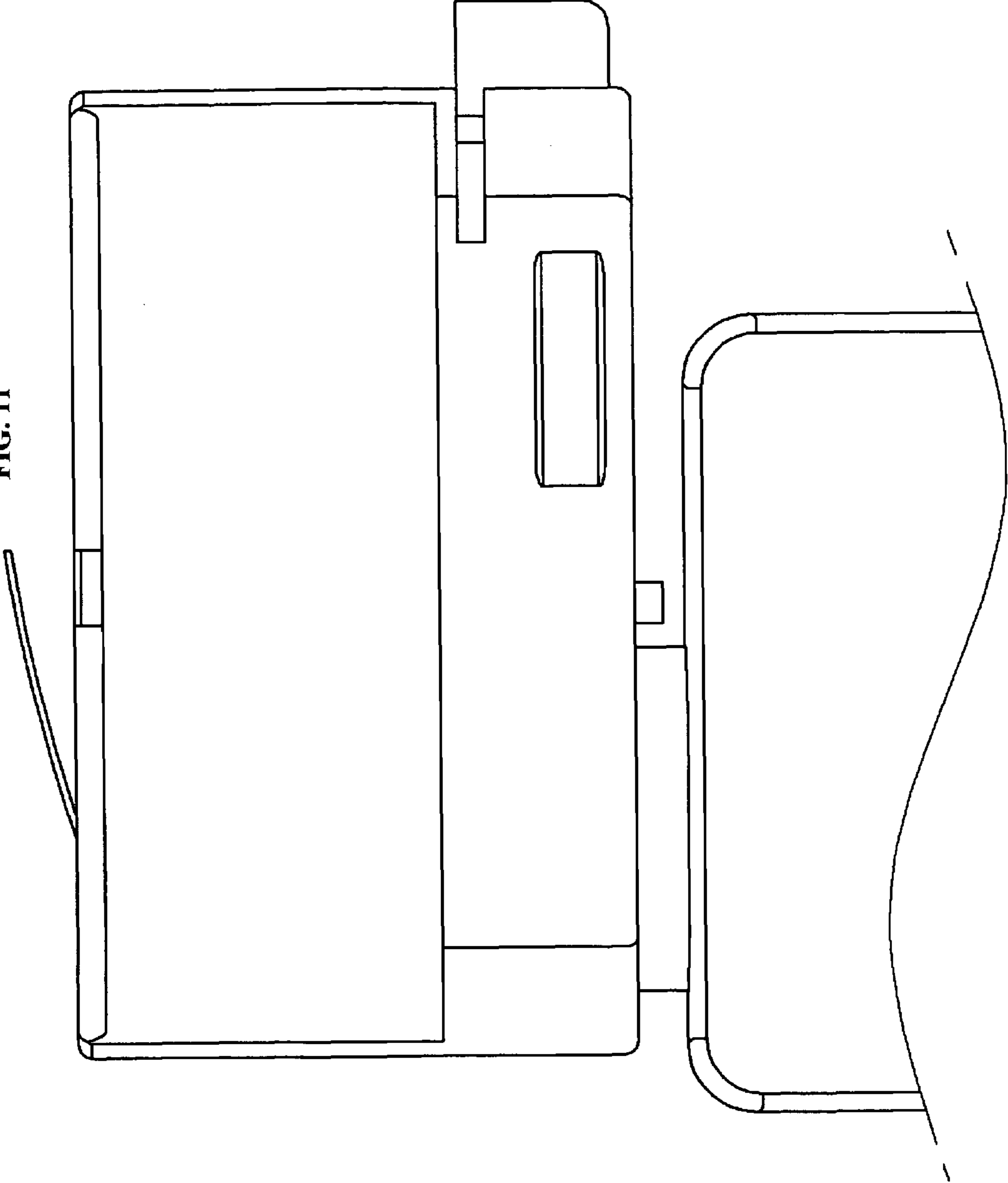


FIG. 12

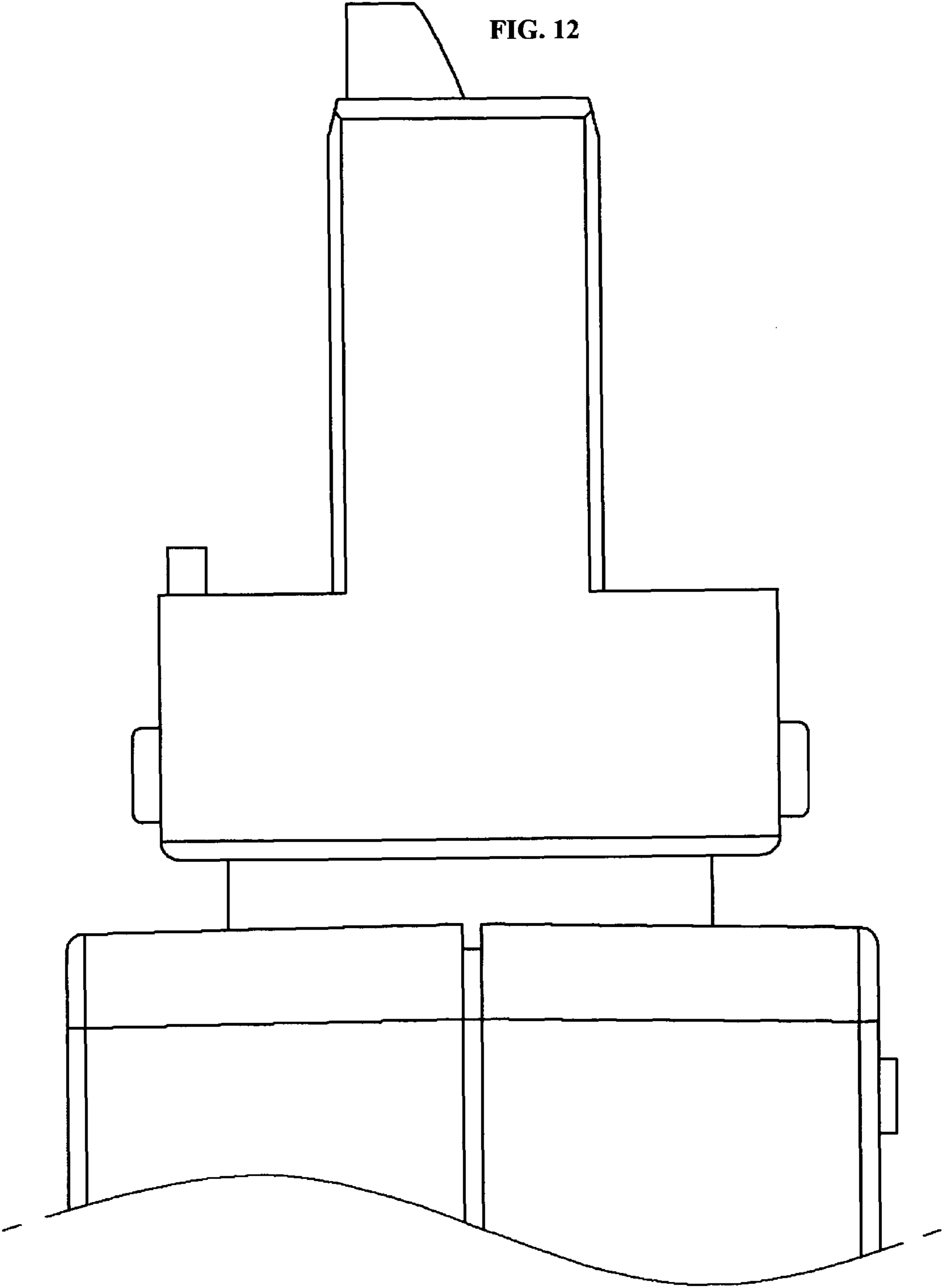
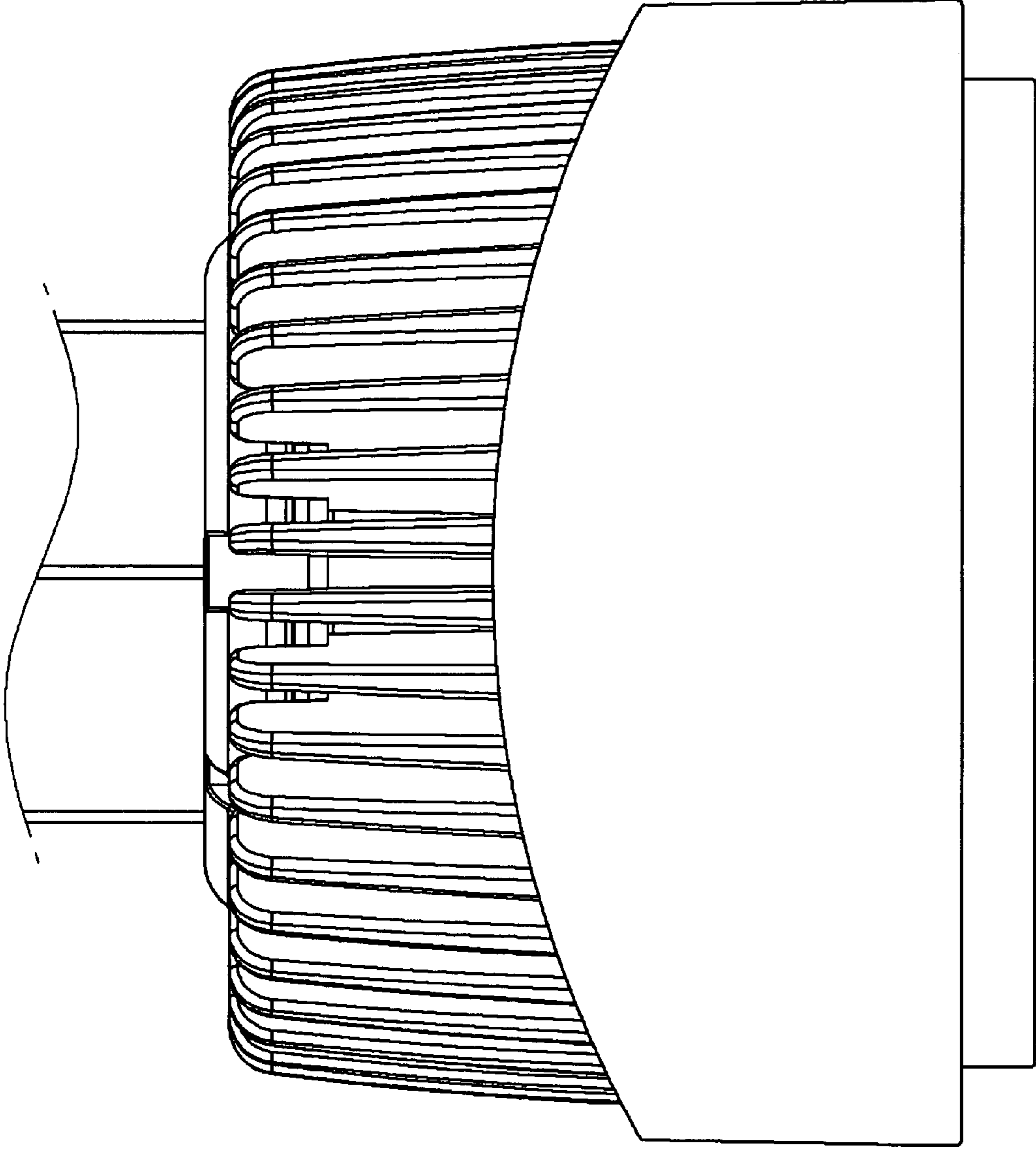


FIG. 13



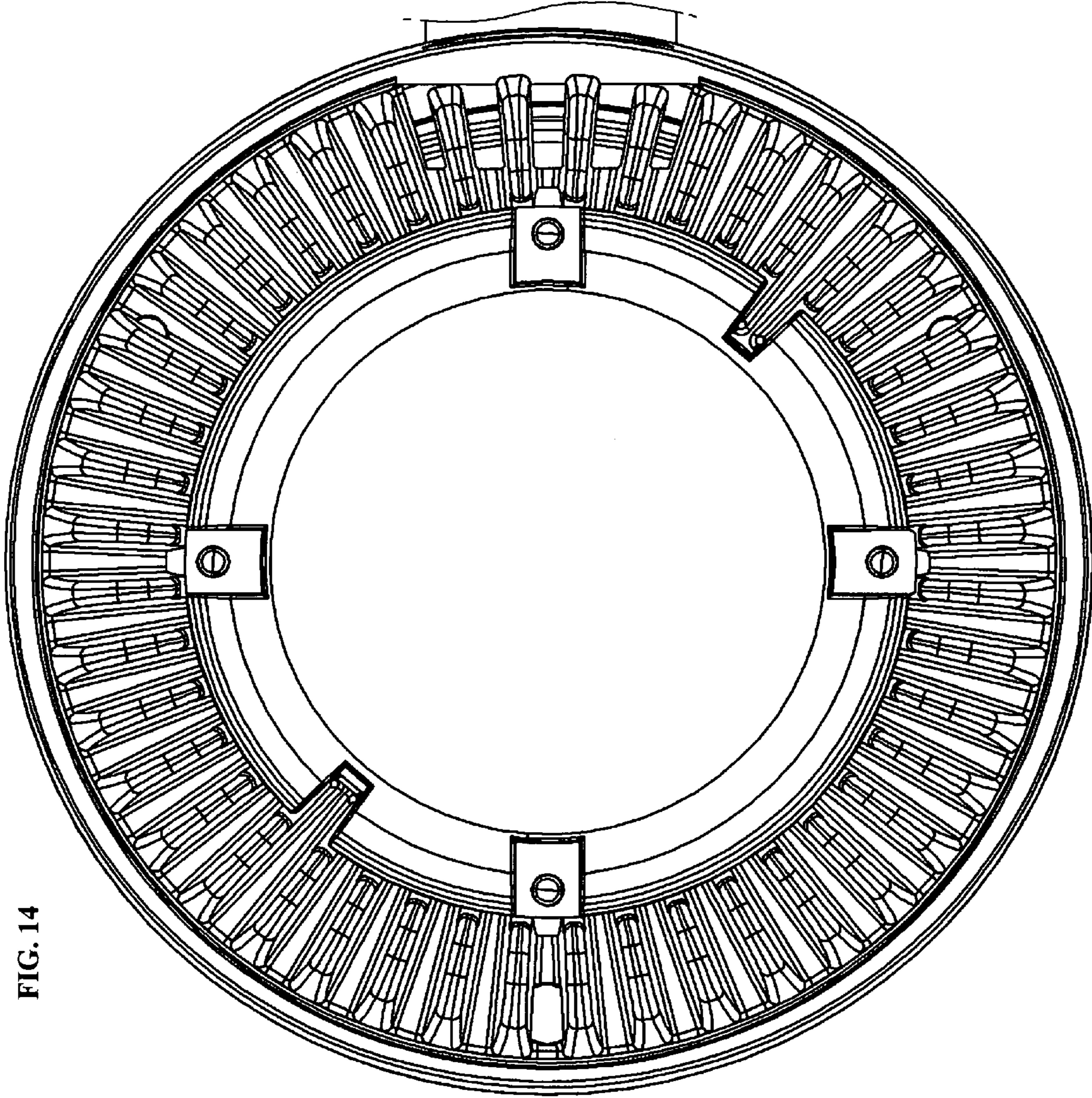
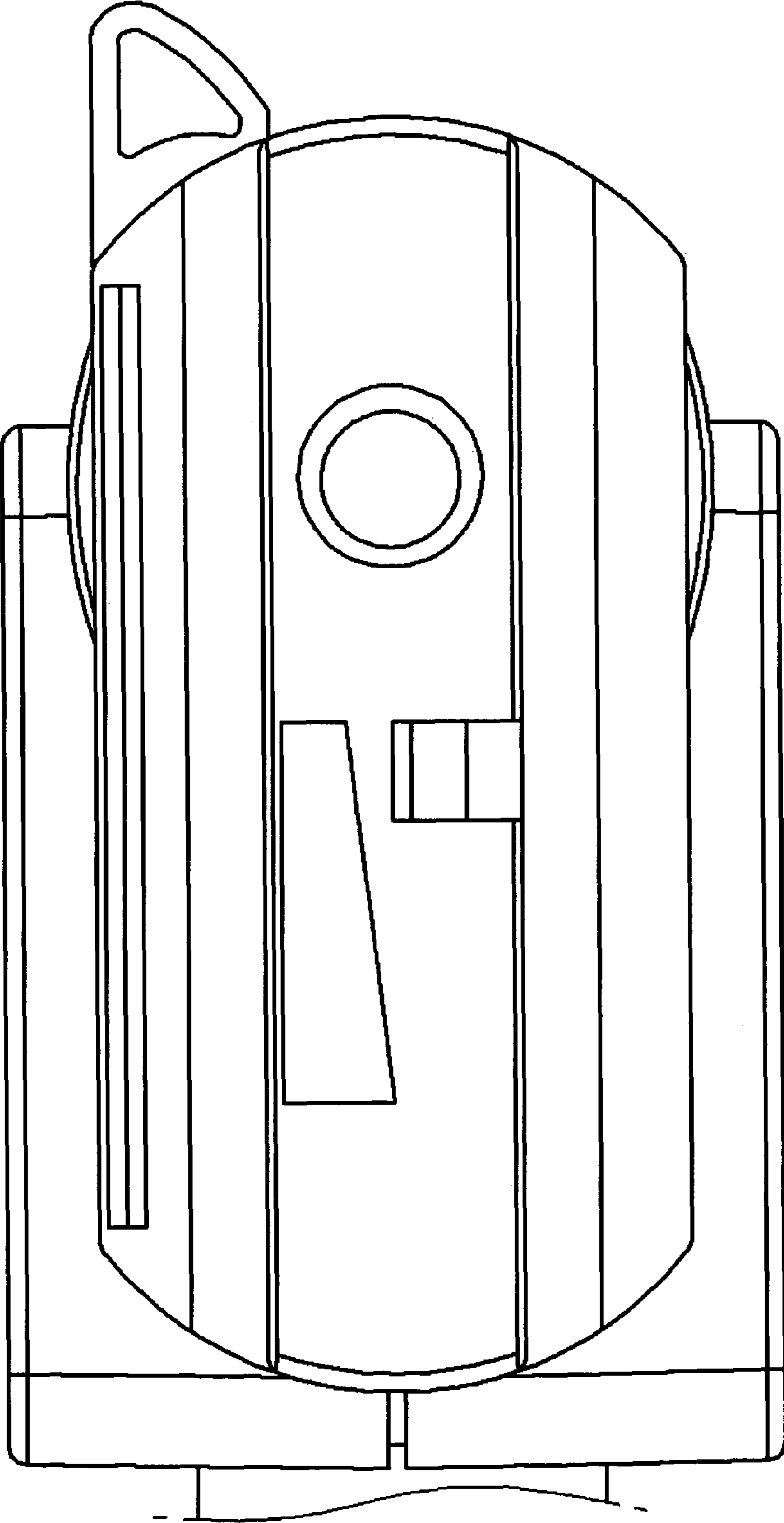


FIG. 14

FIG. 15



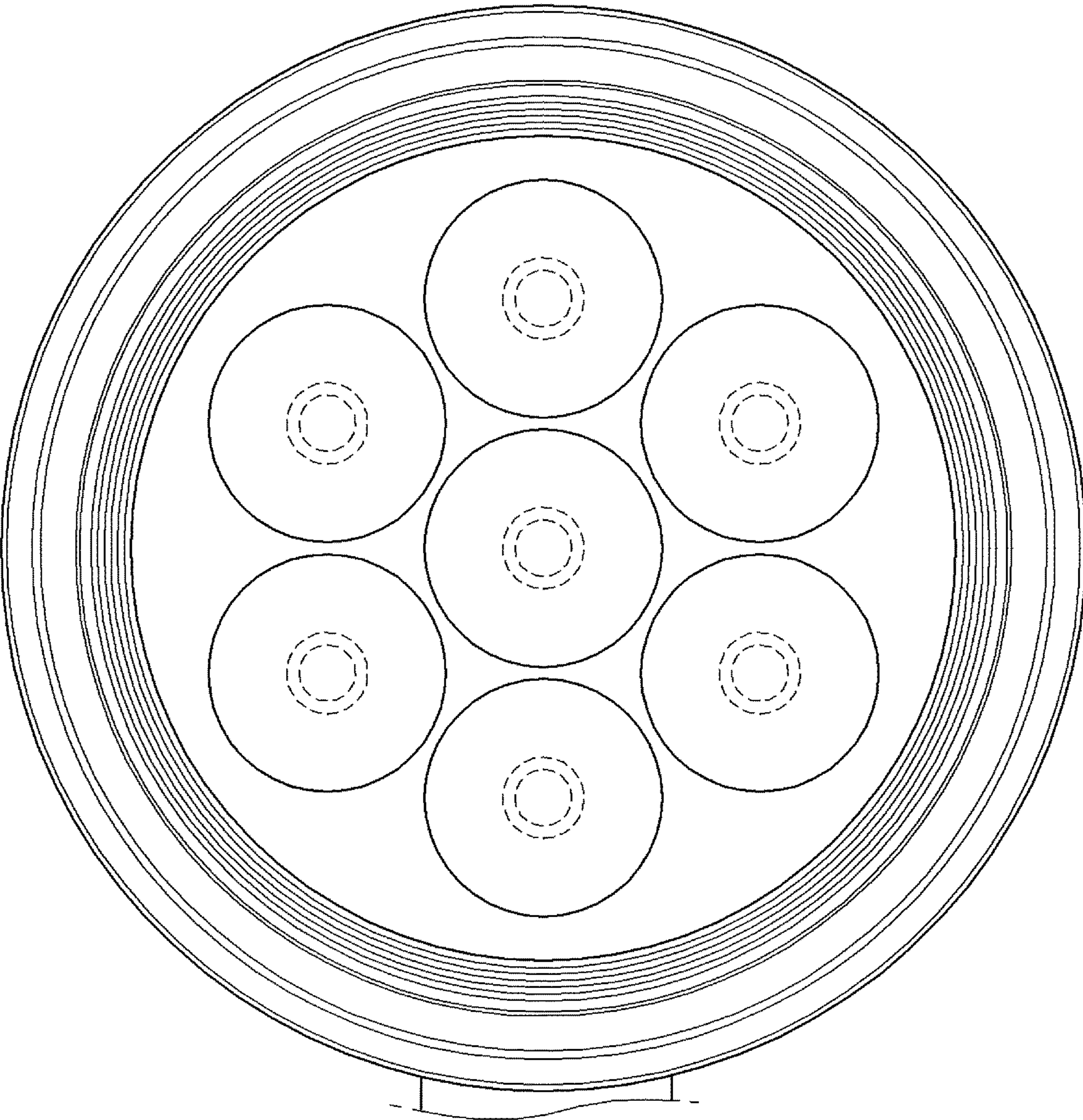


FIG. 16

FIG. 17

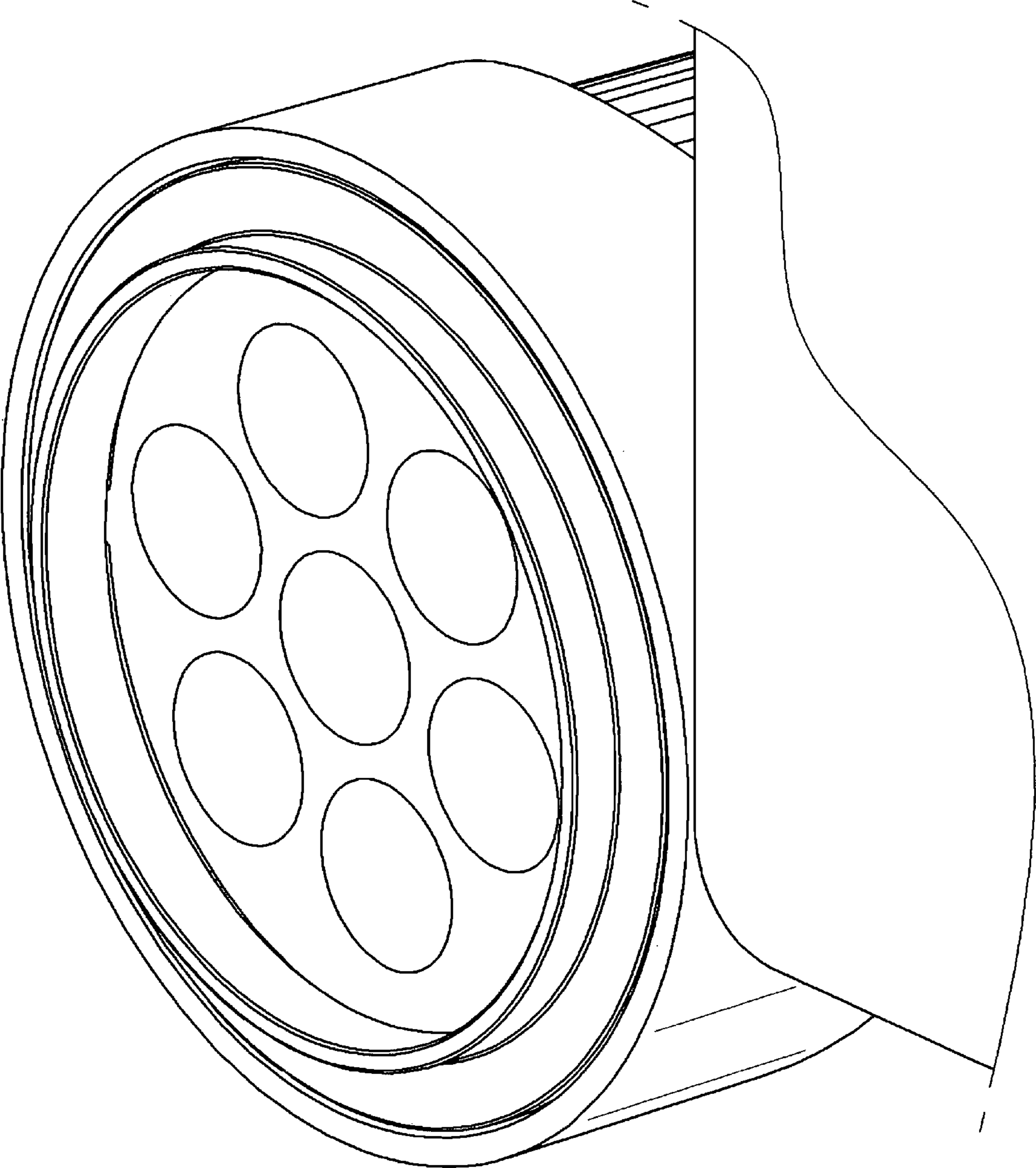


FIG. 18

