



US00D642719S

(12) **United States Design Patent**  
**Lindholm et al.**

(10) **Patent No.:** **US D642,719 S**

(45) **Date of Patent:** **\*\* Aug. 2, 2011**

(54) **WORKLIGHT**

(75) Inventors: **Janne Lindholm**, Pietarsaari (FI); **Jari Korpi**, Pietarsaari (FI)

(73) Assignee: **Herrmans Oy AB**, Pietarsaari (FI)

(\*\*) Term: **14 Years**

(21) Appl. No.: **29/364,816**

(22) Filed: **Jun. 29, 2010**

(30) **Foreign Application Priority Data**

Mar. 3, 2010 (EM) ..... 001676966

(51) **LOC (9) Cl.** ..... **26-05**

(52) **U.S. Cl.** ..... **D26/63**

(58) **Field of Classification Search** ..... D26/60-66,  
D26/72, 85, 92, 71, 67; 362/419, 431, 249.02,  
362/311.02, 800, 145, 640, 227, 235, 240,  
362/249.03, 249.07, 249.1, 249.09, 249.11,  
362/267-275, 277, 278, 282-285, 287, 289,  
362/294, 362-373, 418, 427, 430, 147, 396,  
362/264

See application file for complete search history.

(56) **References Cited**

U.S. PATENT DOCUMENTS

D550,878	S	*	9/2007	Korpi	.....	D26/63
D550,879	S	*	9/2007	Korpi	.....	D26/63
D564,688	S	*	3/2008	Korpi	.....	D26/63
D564,689	S	*	3/2008	Korpi	.....	D26/63
D573,285	S	*	7/2008	Zettl	.....	D26/63
D606,691	S	*	12/2009	Lindholm	.....	D26/63
D611,635	S	*	3/2010	Gordin	.....	D26/63

\* cited by examiner

*Primary Examiner* — Susan M Lee

*Assistant Examiner* — Linda Brooks

(74) *Attorney, Agent, or Firm* — Klauber & Jackson LLC

(57) **CLAIM**

The ornamental design for a worklight, as shown and described.

**DESCRIPTION**

FIG. 1 is a perspective view showing the rear, bottom and right side of the Worklight of our new design;

FIG. 2 is a rear view thereof;

FIG. 3 is a front view thereof;

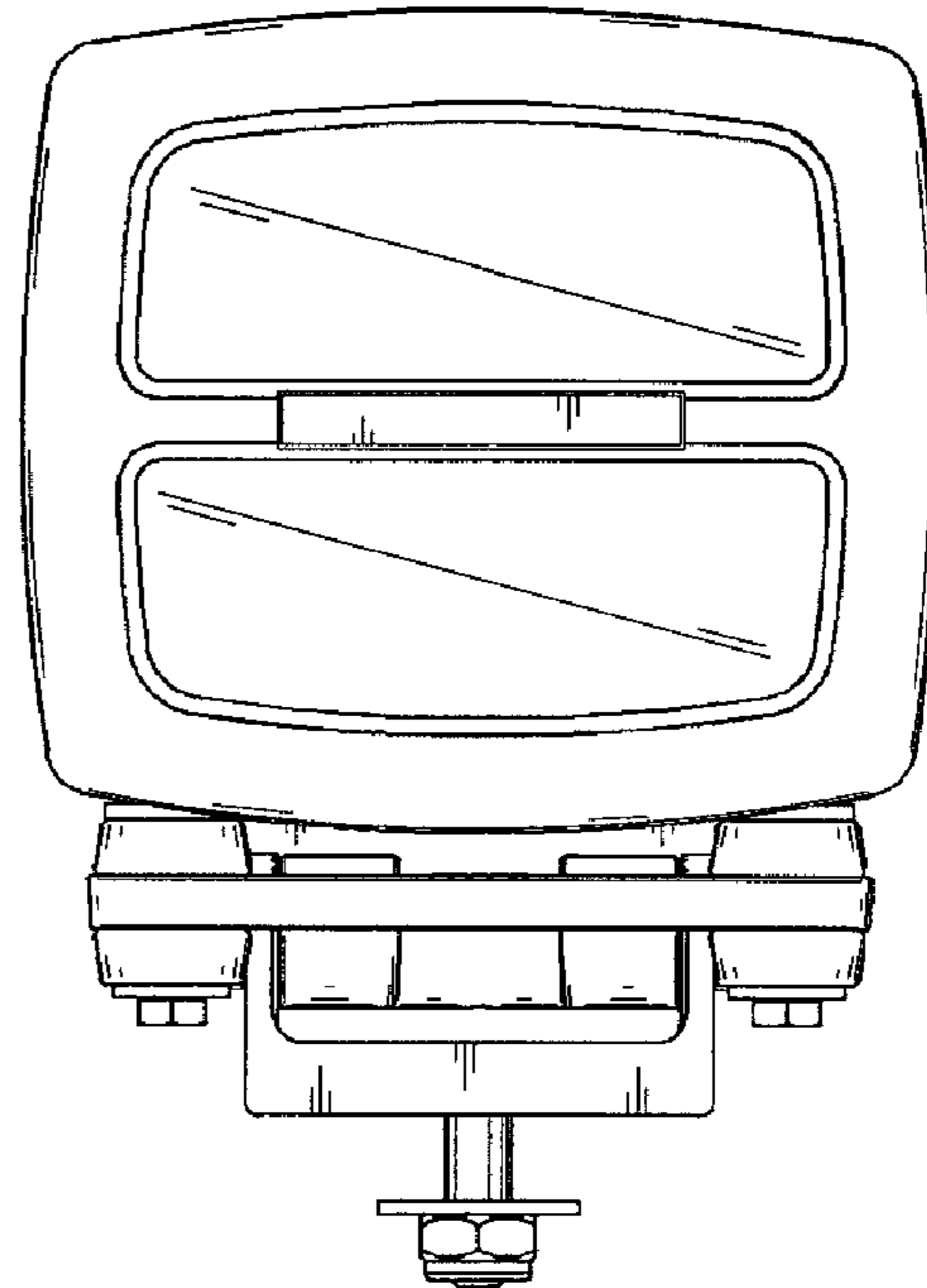
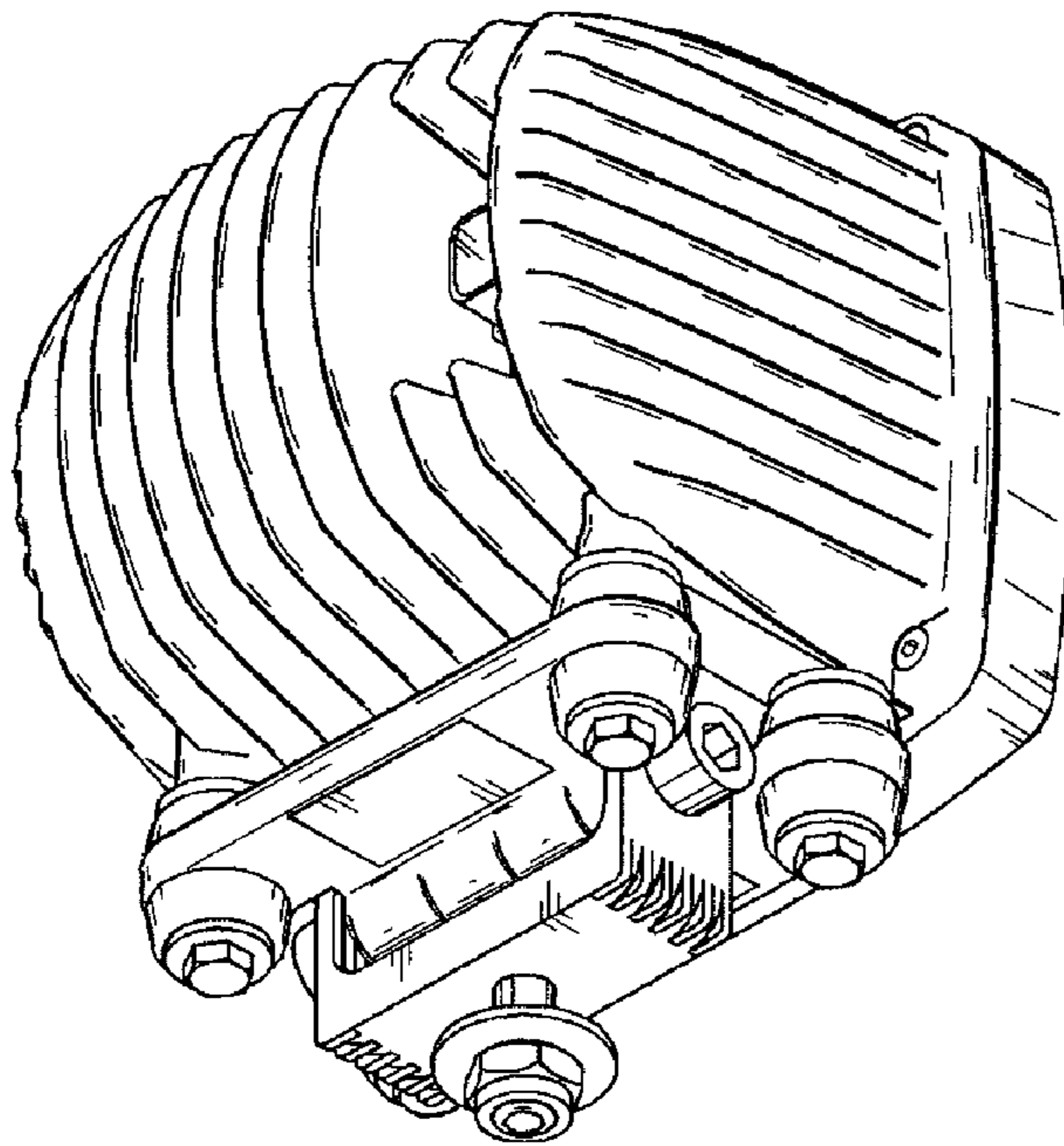
FIG. 4 is a right side view thereof;

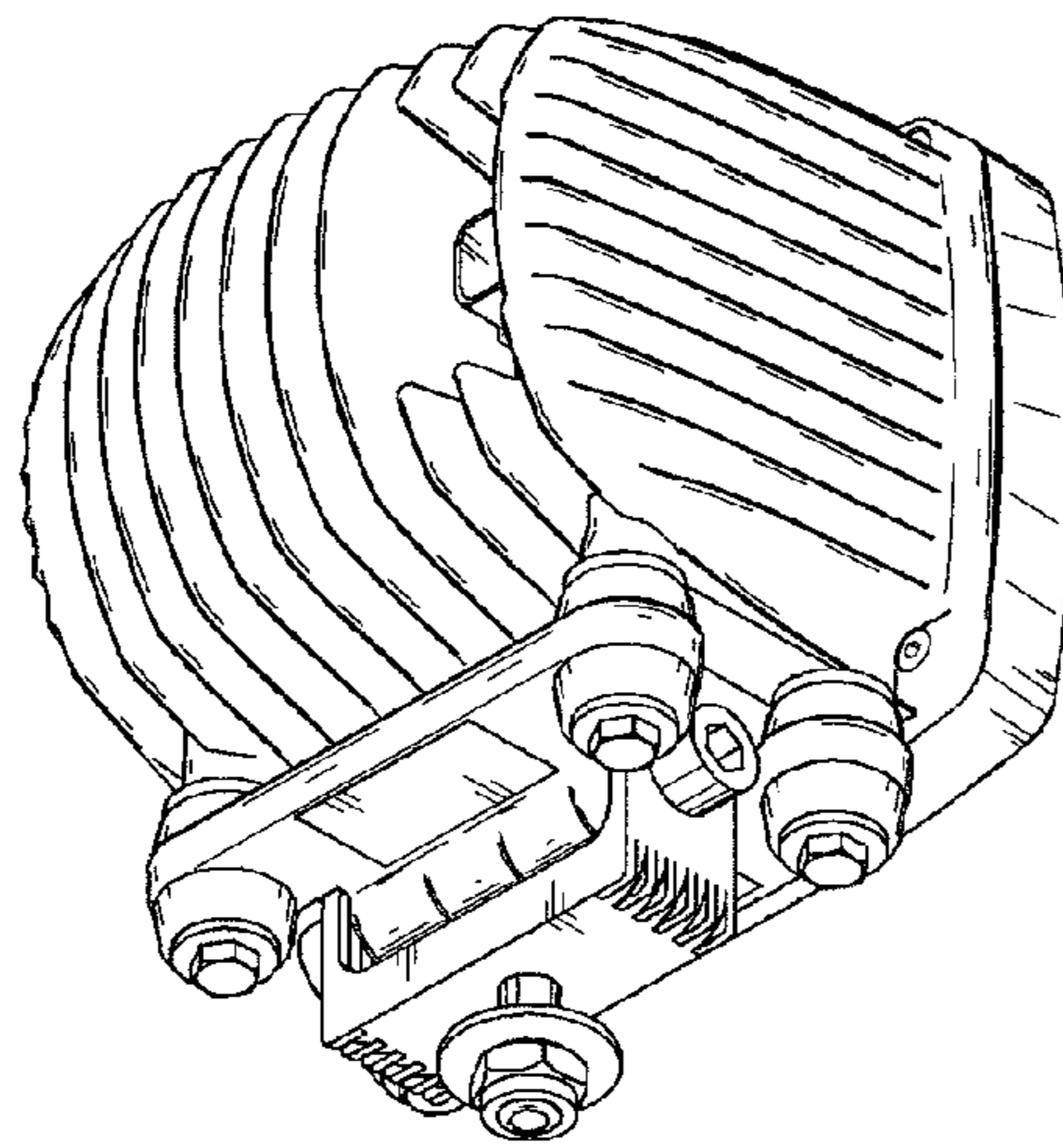
FIG. 5 is a left side view thereof;

FIG. 6 is a top view thereof; and,

FIG. 7 is a bottom view of the claimed design.

**1 Claim, 4 Drawing Sheets**





*FIG. 1*

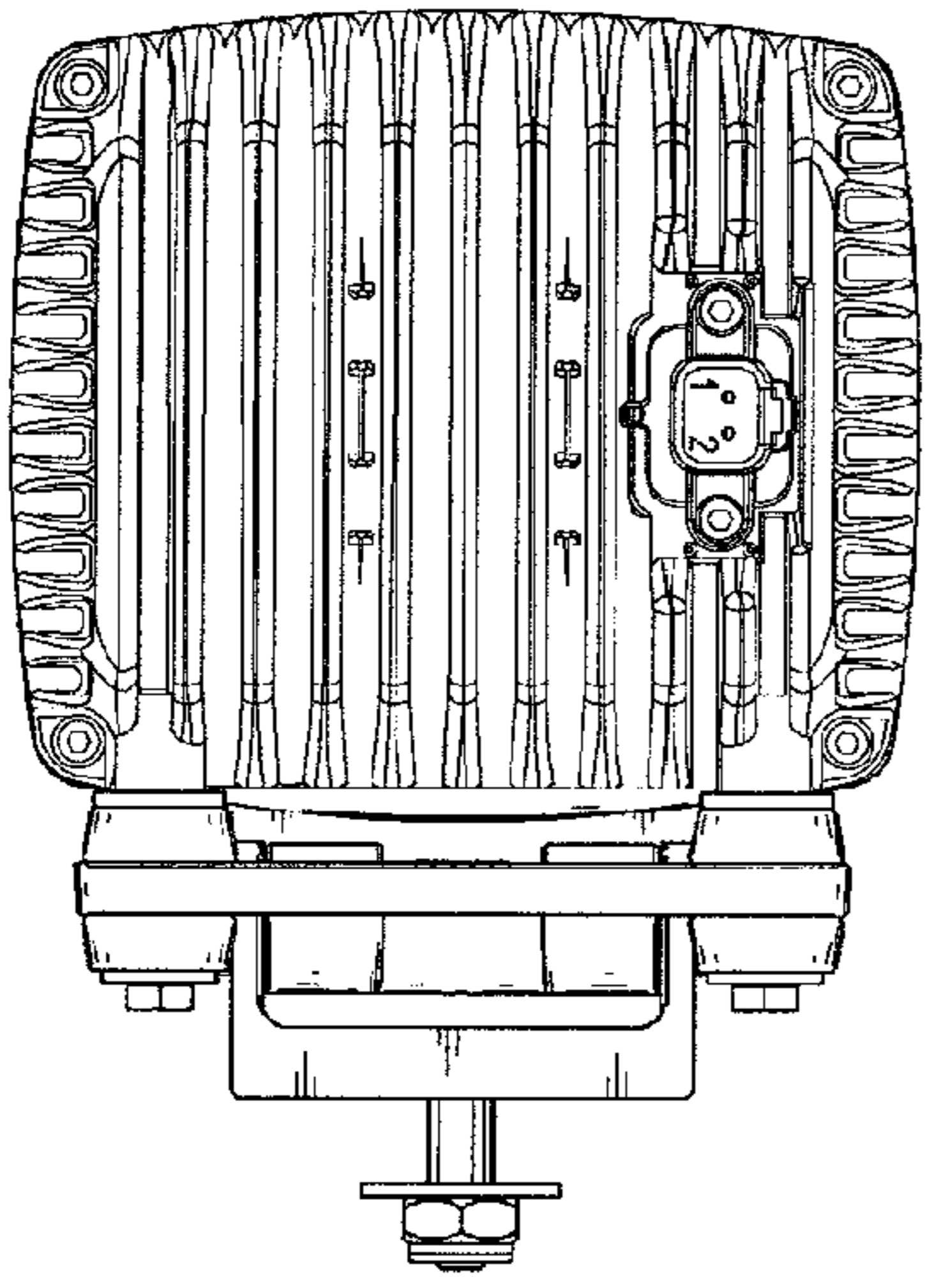


FIG. 2

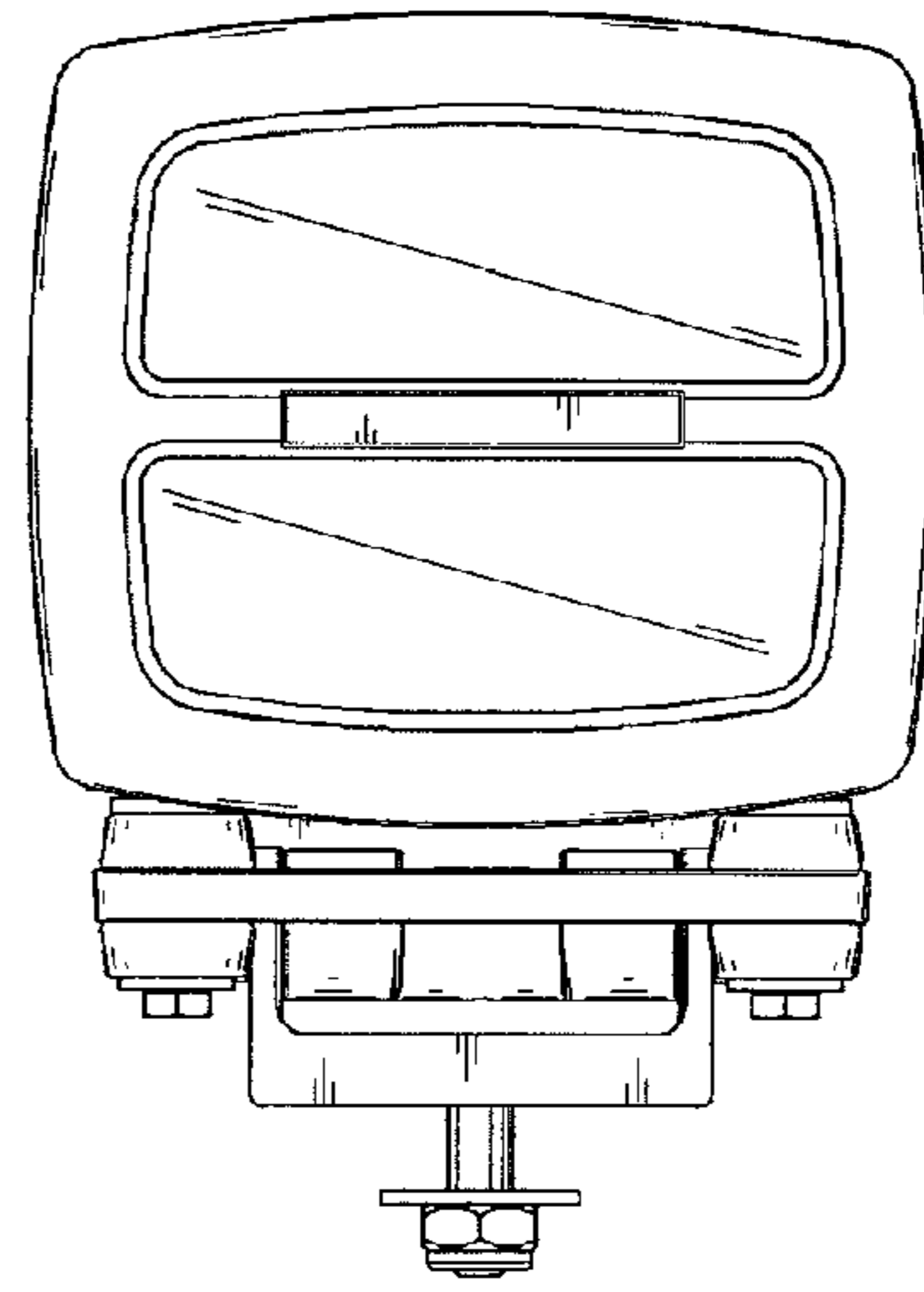


FIG. 3

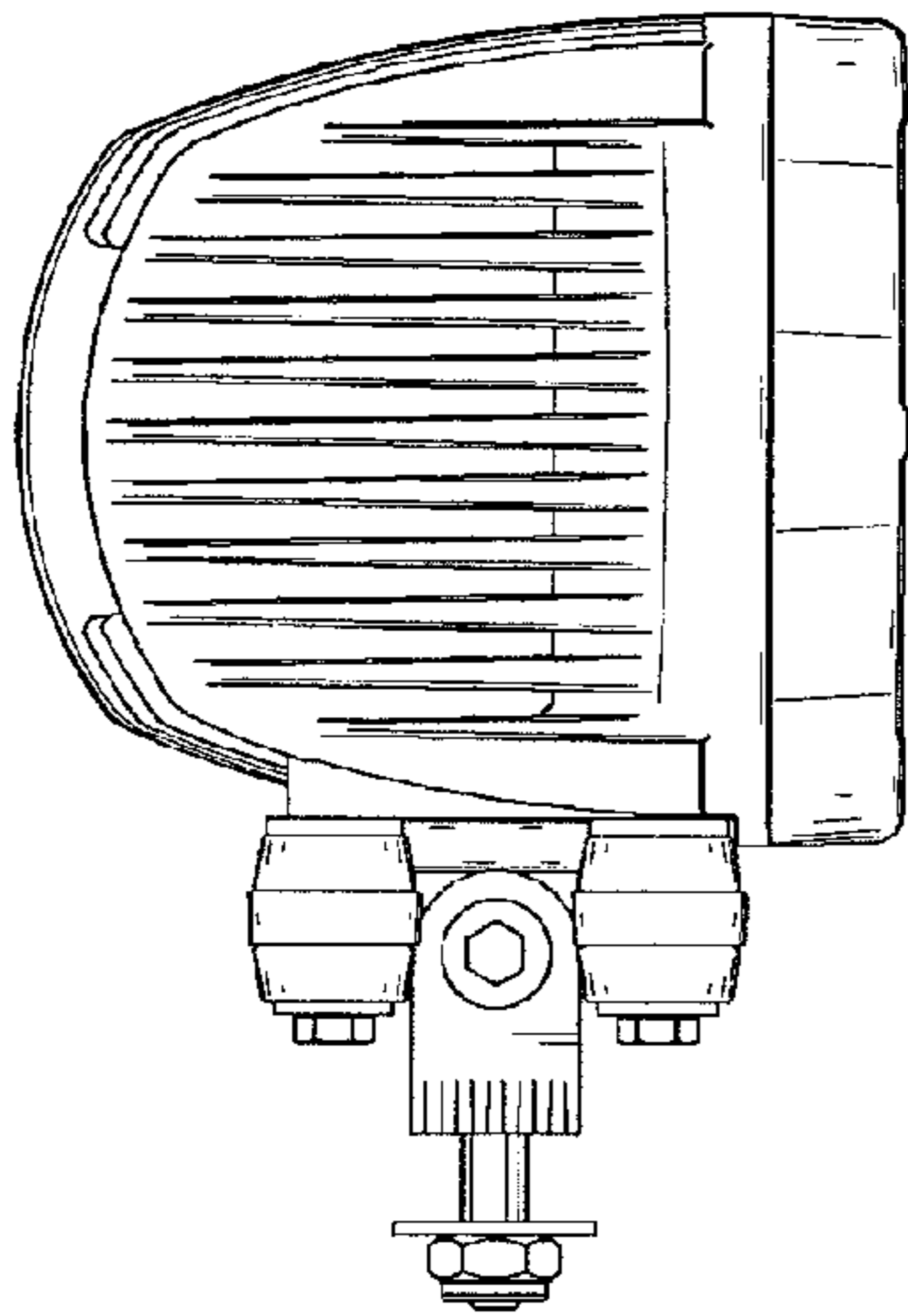


FIG. 4

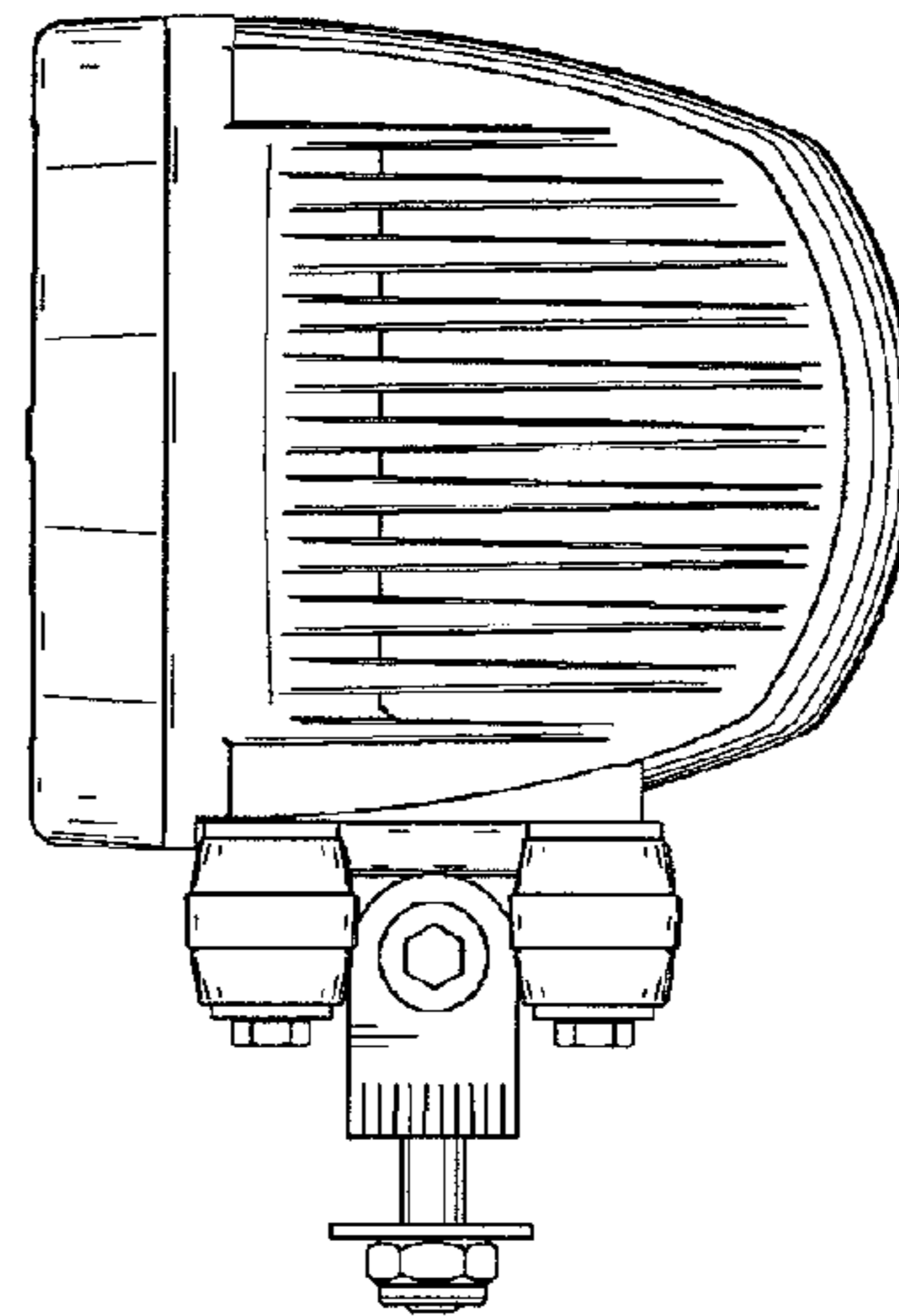


FIG. 5

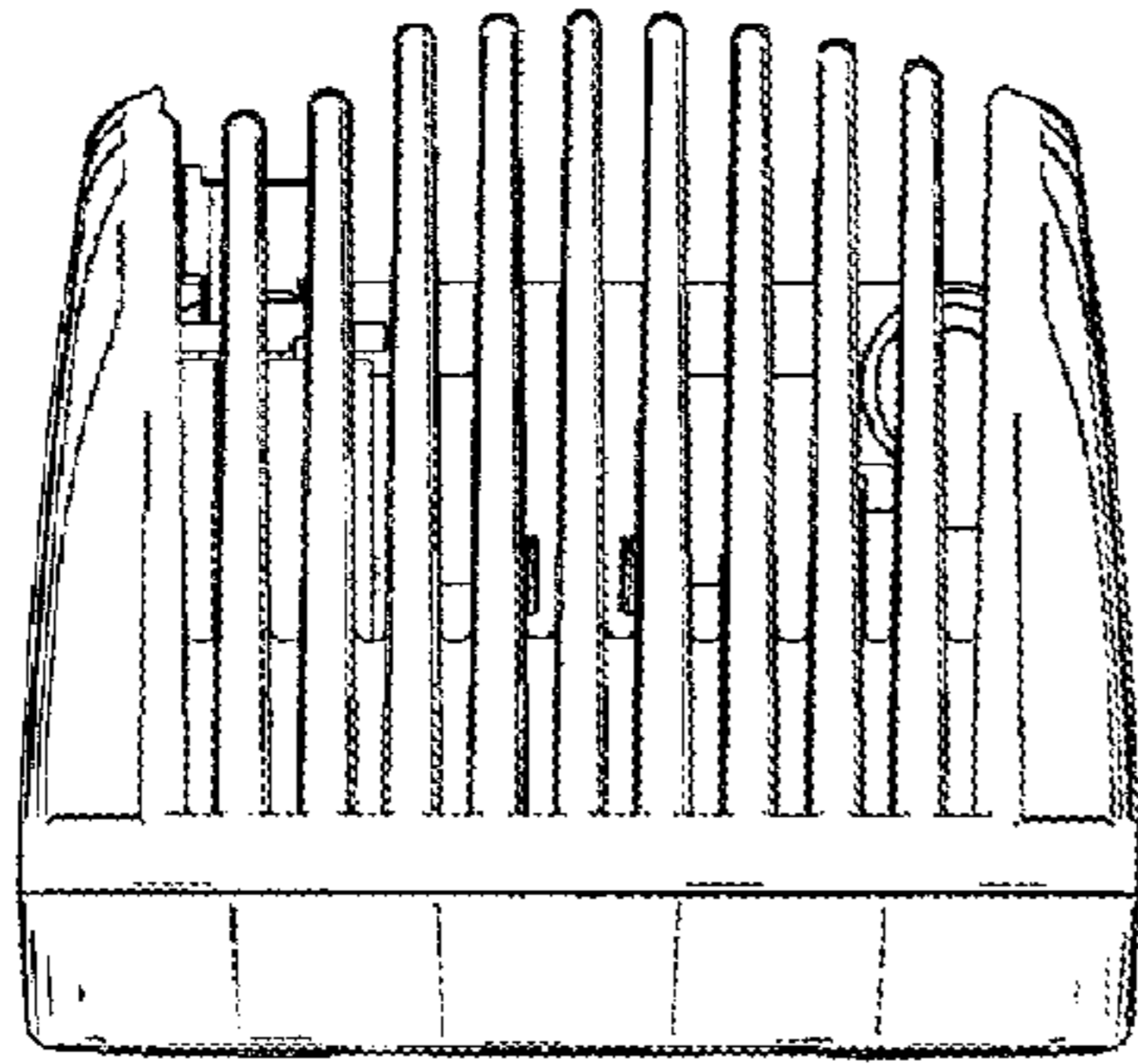


FIG. 6

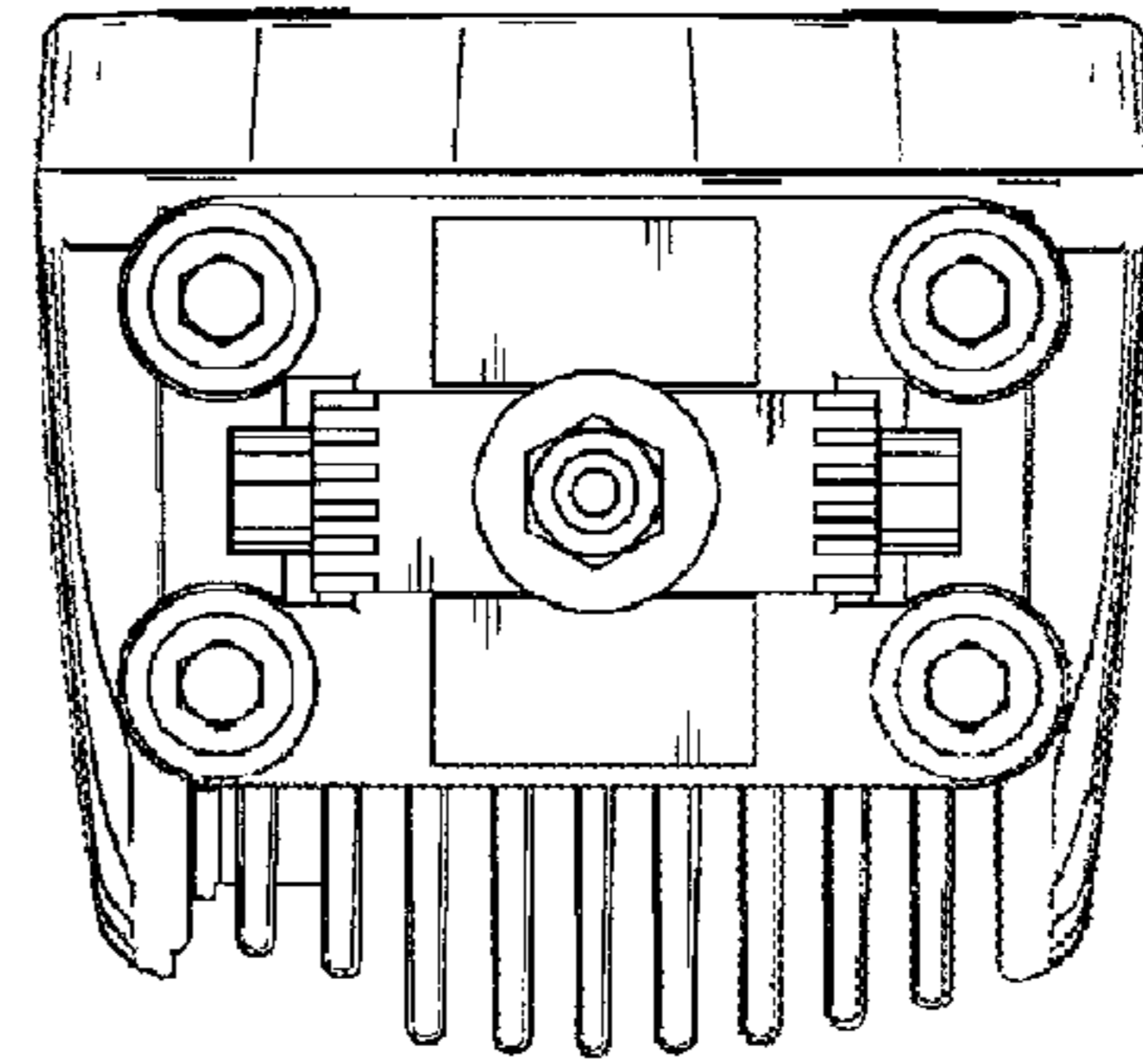


FIG. 7