



US00D642718S

(12) **United States Design Patent**
Lindholm et al.

(10) **Patent No.:** **US D642,718 S**

(45) **Date of Patent:** **** Aug. 2, 2011**

(54) **WORKLIGHT**

(75) Inventors: **Janne Lindholm**, Pietarsaari (FI); **Jari Korpi**, Pietarsaari (FI)

(73) Assignee: **Herrmans Oy AB**, Pietarsaari (FI)

(**) Term: **14 Years**

(21) Appl. No.: **29/364,815**

(22) Filed: **Jun. 29, 2010**

(30) **Foreign Application Priority Data**

Mar. 3, 2010 (EM) 001676966

(51) **LOC (9) Cl.** **26-05**

(52) **U.S. Cl.** **D26/63**

(58) **Field of Classification Search** D26/60-66,
D26/72, 85, 92, 71, 67; 362/419, 431, 249.02,
362/311.02, 800, 145, 640, 227, 235, 240,
362/249.03, 249.07, 249.1, 249.09, 249.11,
362/267-275, 277, 278, 282-285, 287, 289,
362/294, 362-373, 418, 427, 430, 147, 396,
362/264

See application file for complete search history.

(56) **References Cited**

U.S. PATENT DOCUMENTS

D550,878 S *	9/2007	Korpi	D26/63
D550,879 S *	9/2007	Korpi	D26/63
D564,688 S *	3/2008	Korpi	D26/63
D564,689 S *	3/2008	Korpi	D26/63
D573,285 S *	7/2008	Zettl	D26/63
D606,691 S *	12/2009	Lindholm	D26/63
D611,635 S *	3/2010	Gordin	D26/63

* cited by examiner

Primary Examiner — Susan M Lee

Assistant Examiner — Linda Brooks

(74) *Attorney, Agent, or Firm* — Klauber & Jackson LLC

(57) **CLAIM**

The ornamental design for a worklight, as shown and described.

DESCRIPTION

FIG. 1 is a perspective view showing the front, bottom and left side of the worklight of our new design;

FIG. 2 is a front view thereof;

FIG. 3 is a rear view thereof;

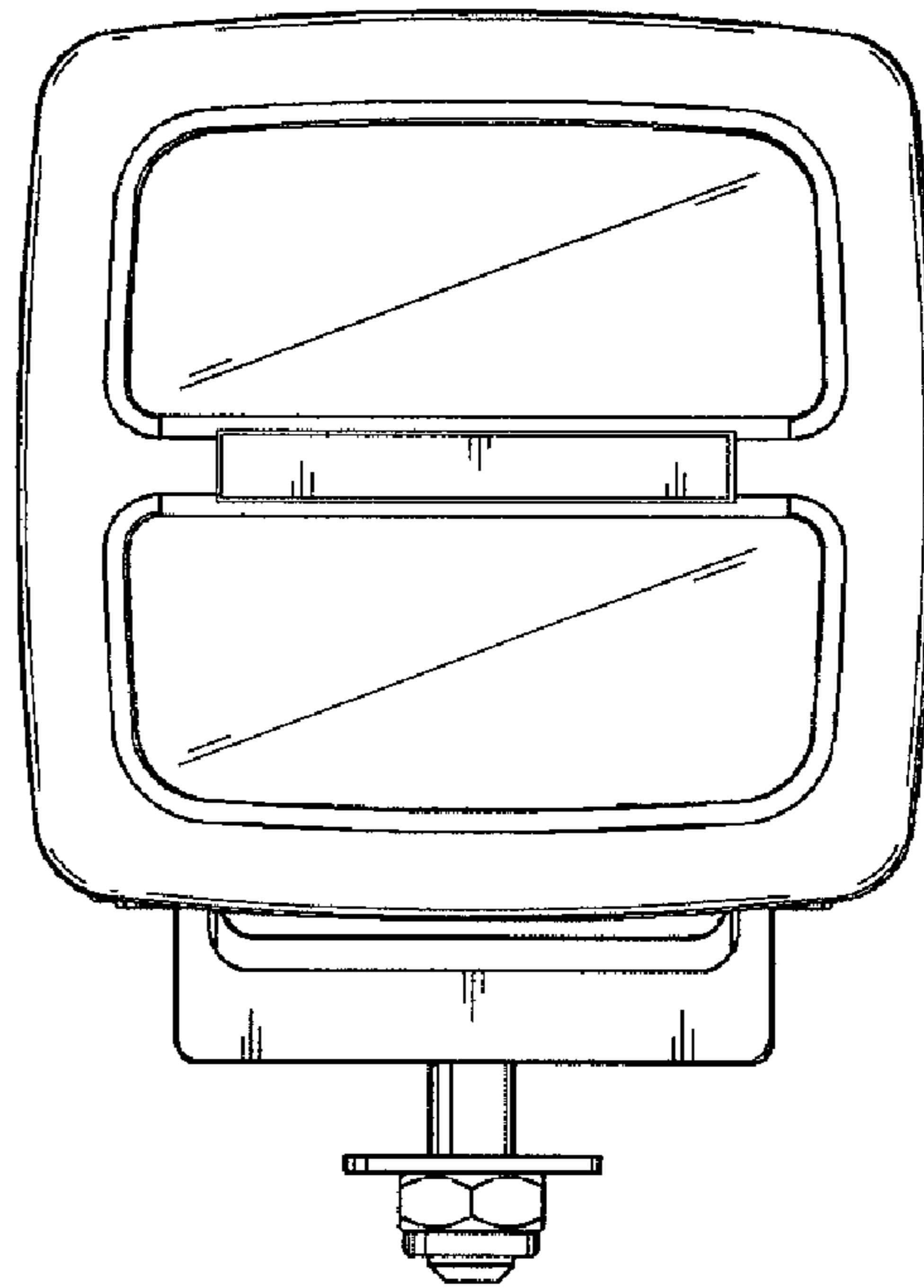
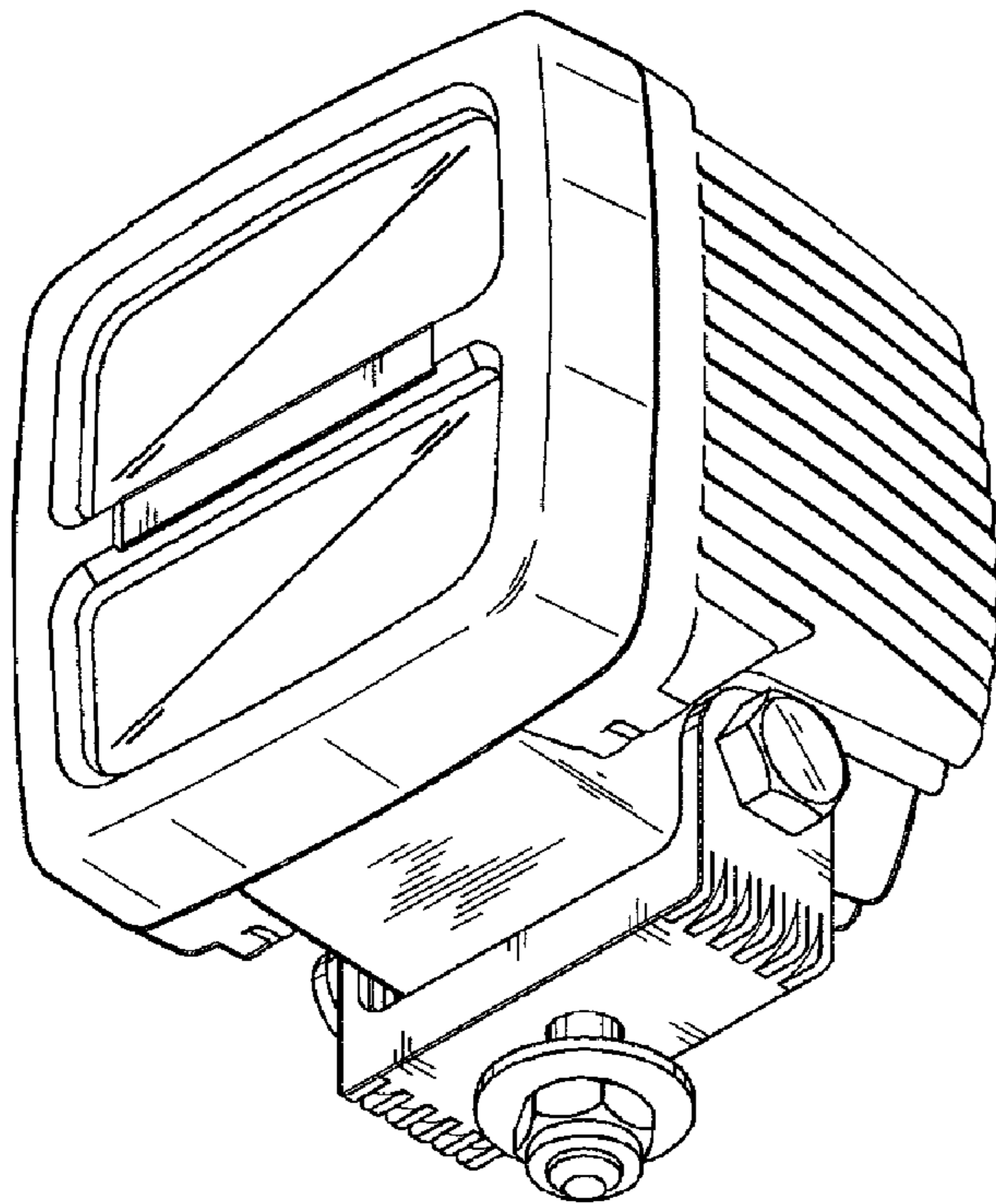
FIG. 4 is a right side view thereof;

FIG. 5 is a left side view thereof;

FIG. 6 is a top view thereof; and,

FIG. 7 is a bottom view of the claimed design.

1 Claim, 4 Drawing Sheets



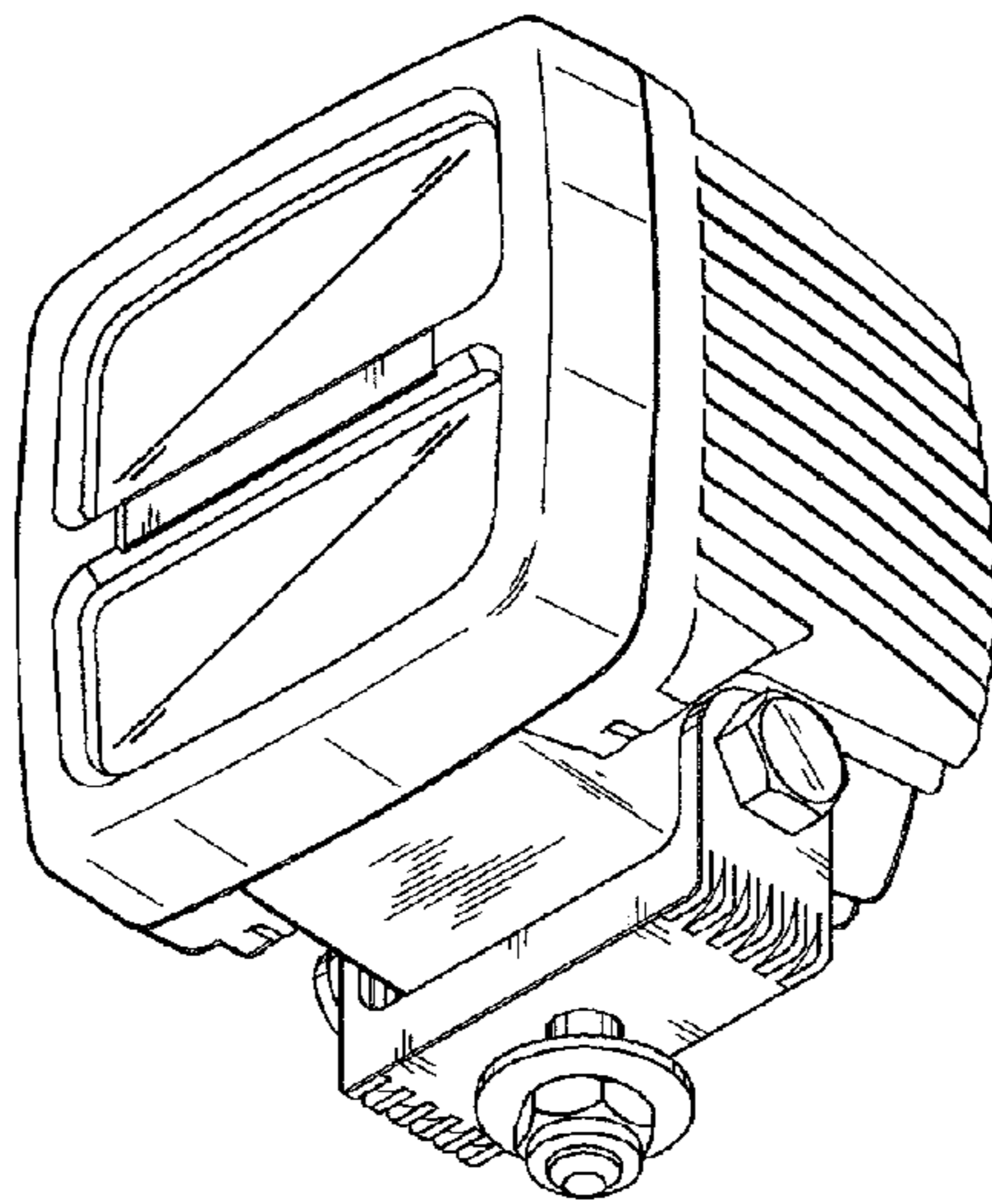


FIG. 1

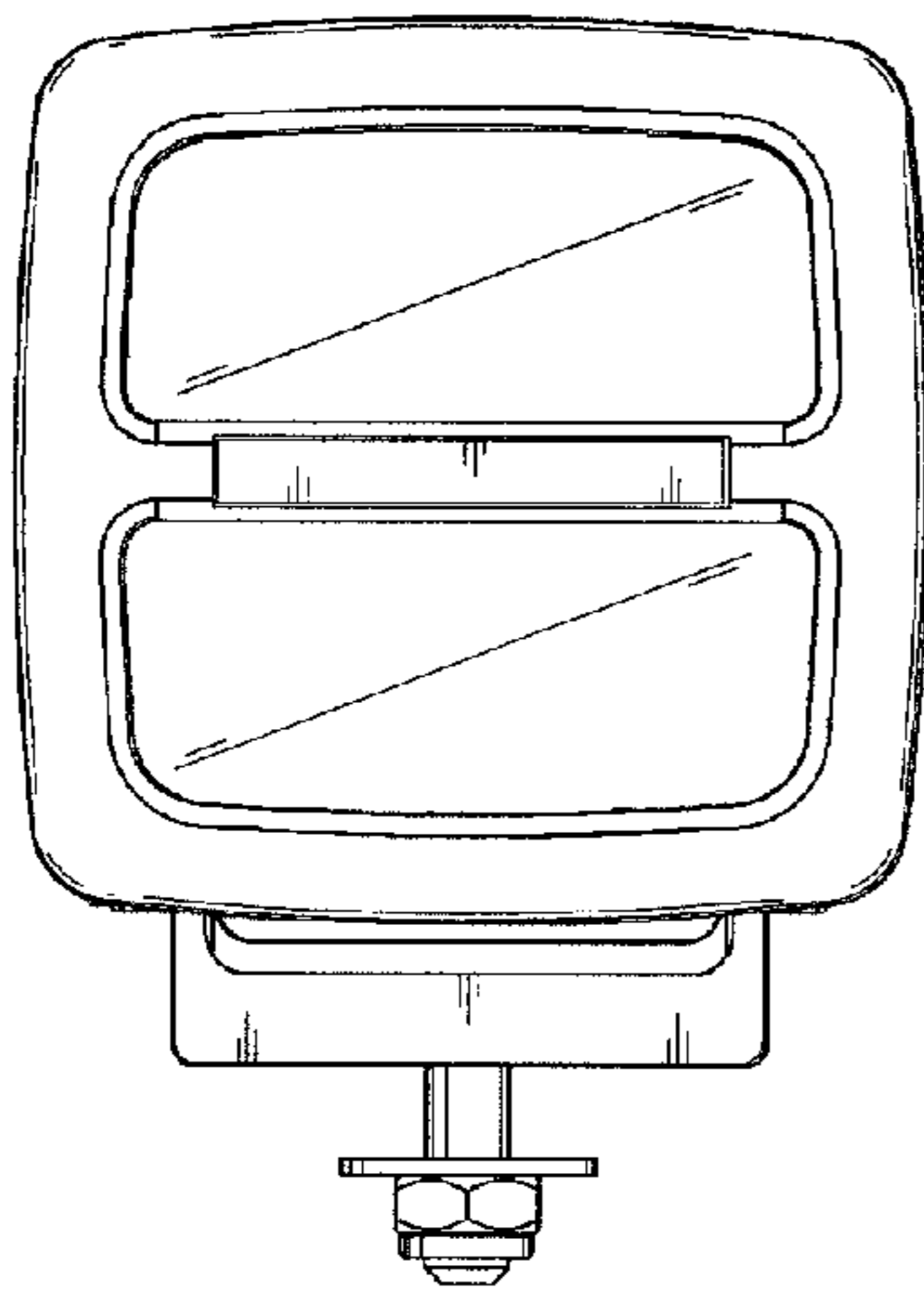


FIG. 2

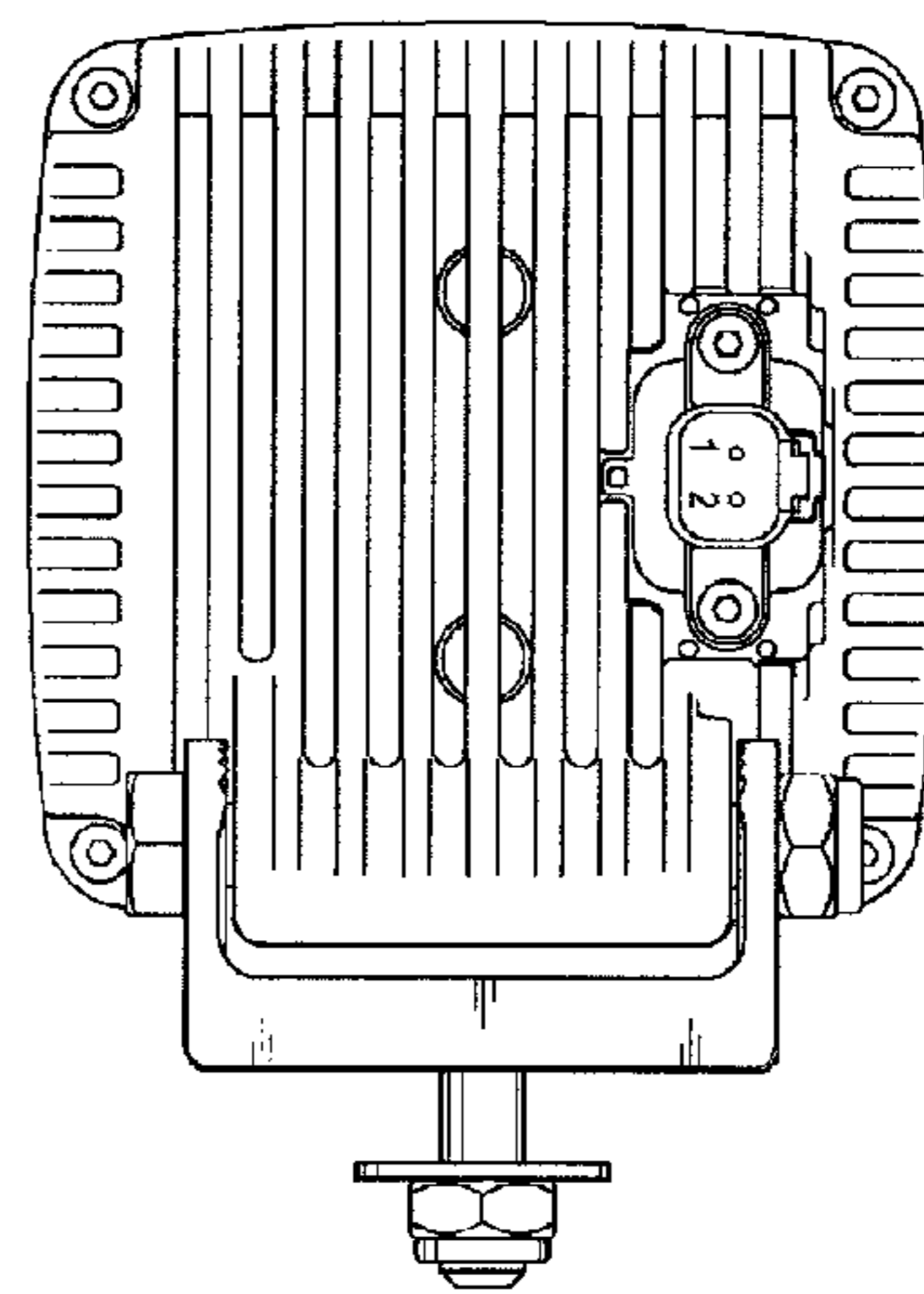


FIG. 3

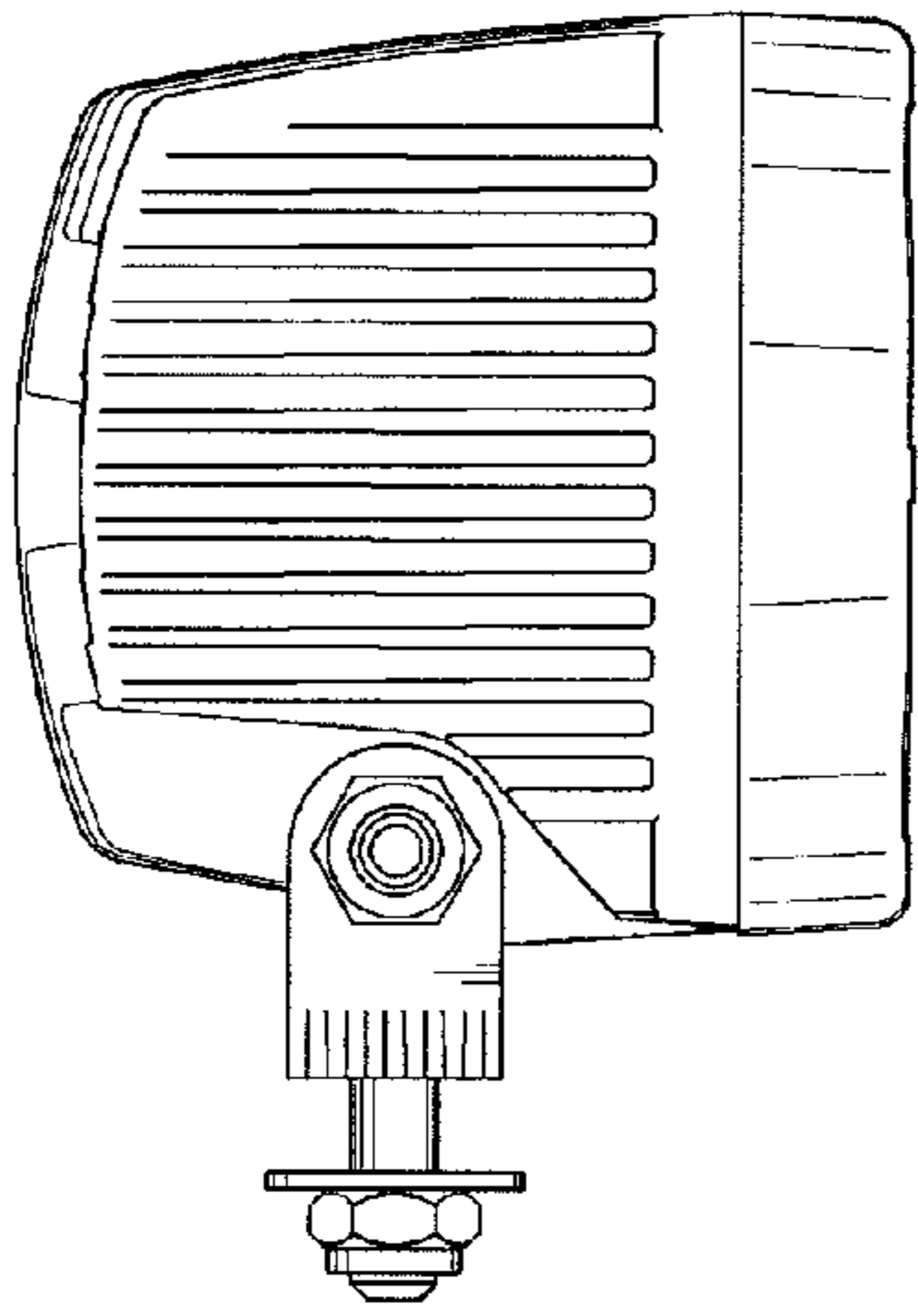


FIG. 4

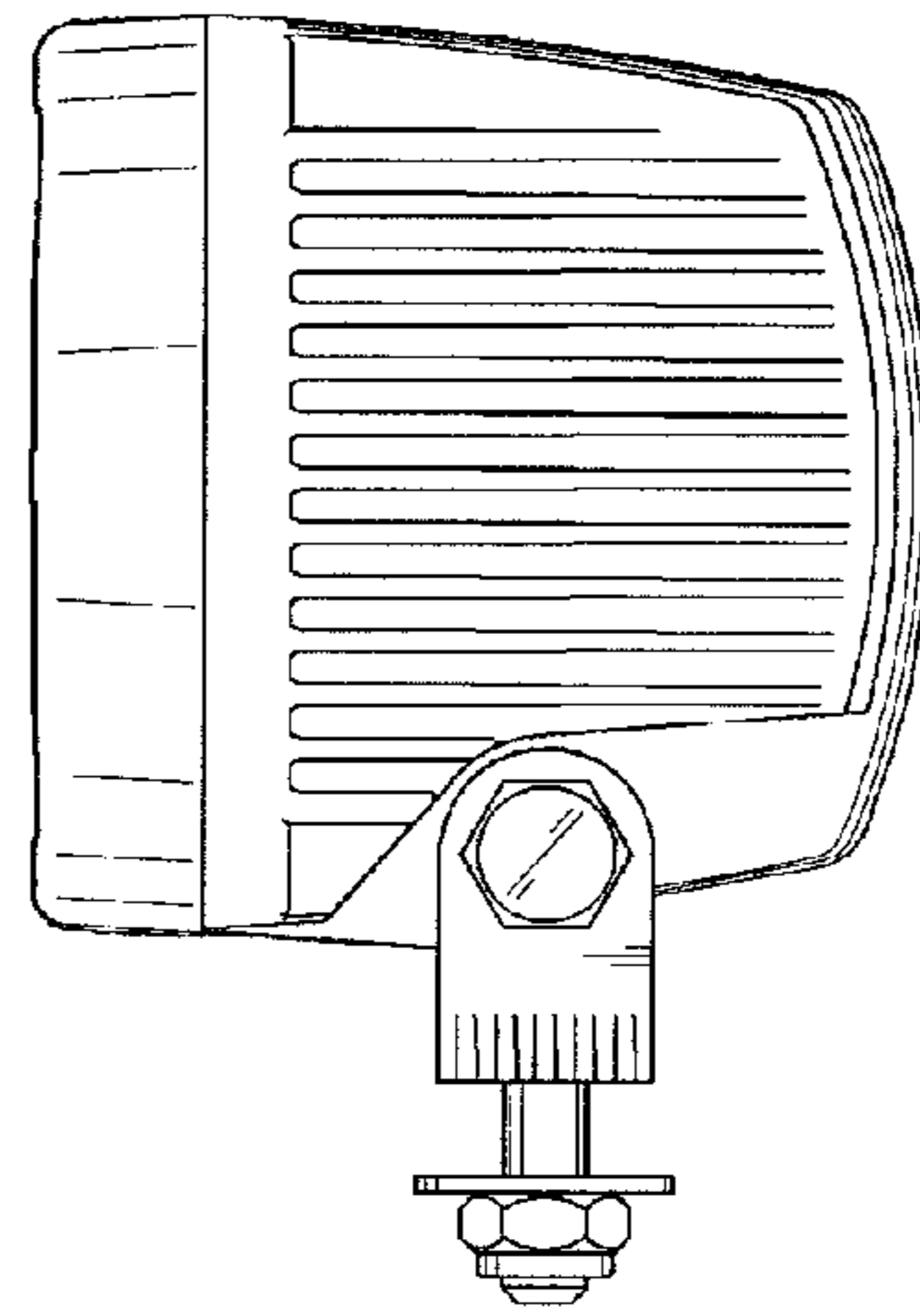


FIG. 5

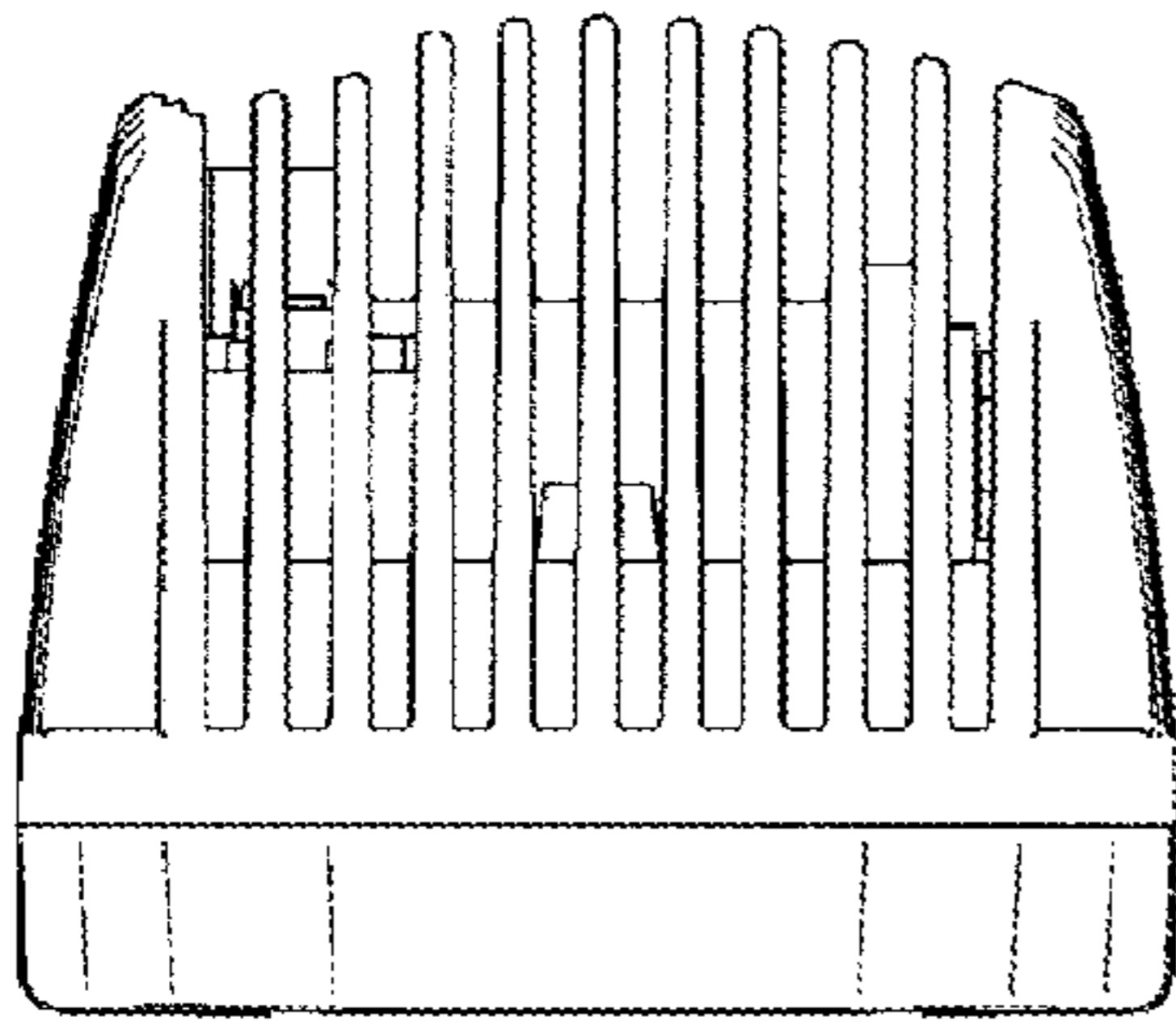


FIG. 6

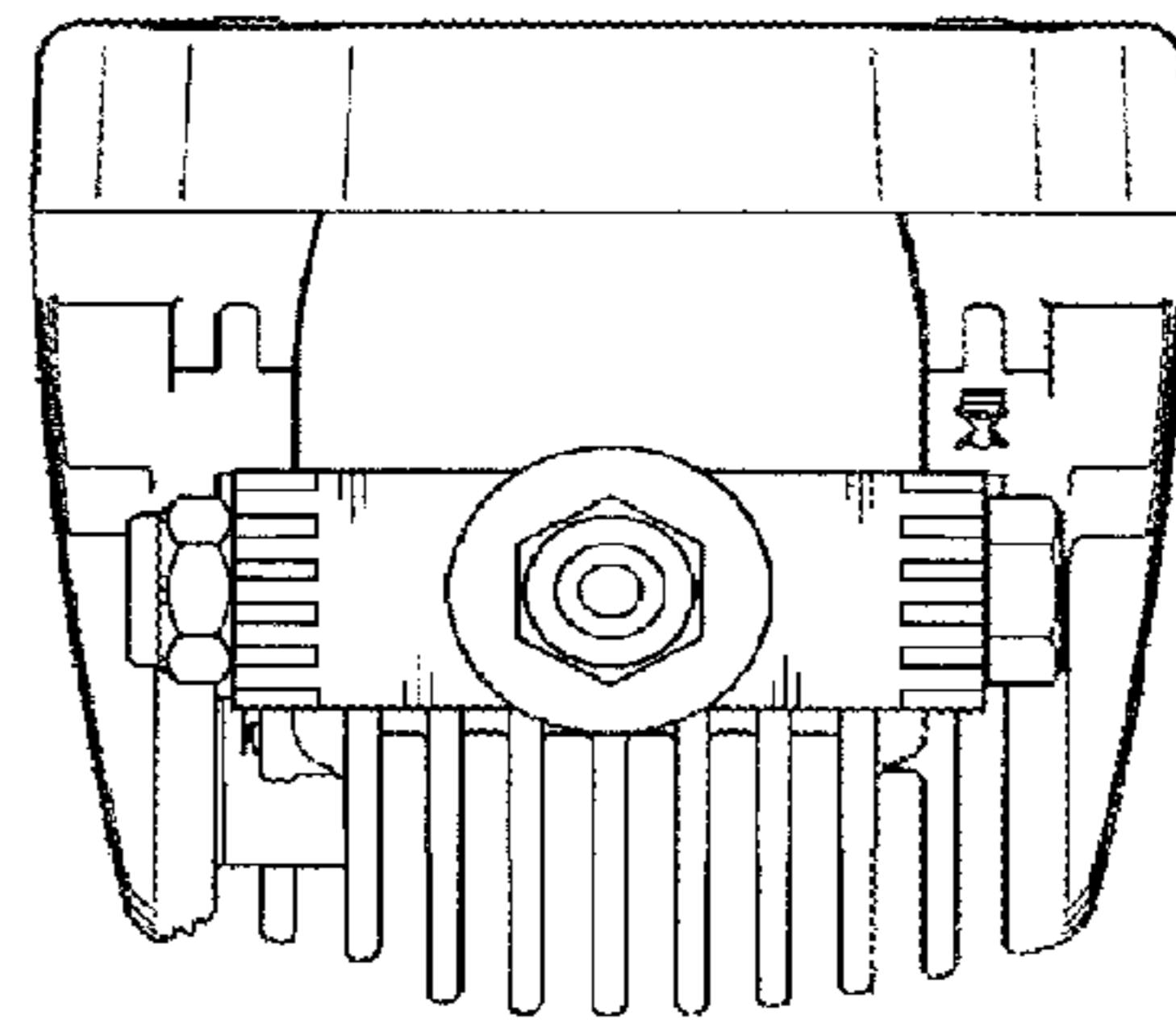


FIG. 7