



US00D642715S

(12) **United States Design Patent**
Lee

(10) **Patent No.:** **US D642,715 S**
(45) **Date of Patent:** **** Aug. 2, 2011**

(54) **DECORATIVE LAMP**

(76) Inventor: **Wen-Sung Lee**, Taichung (TW)

(**) Term: **14 Years**

(21) Appl. No.: **29/385,181**

(22) Filed: **Feb. 10, 2011**

(51) **LOC (9) Cl.** **26-05**

(52) **U.S. Cl.** **D26/61**

(58) **Field of Classification Search** D26/60-66,
D26/118, 120, 122; 362/145, 147, 257, 277,
362/278, 285, 290, 310, 296.05, 311.13,
362/319, 346, 352, 367, 372, 388, 450, 301,
362/362, 404, 413, 418, 806, 449

See application file for complete search history.

(56) **References Cited**

U.S. PATENT DOCUMENTS

4,429,030	A *	1/1984	Perlstein et al.	430/75
4,992,917	A *	2/1991	Earnshaw	362/346
5,068,773	A *	11/1991	Toth	362/386
5,605,396	A *	2/1997	Chin et al.	362/367
D534,670	S *	1/2007	Chengfeng	D26/37
D535,050	S *	1/2007	Acerbis	D26/104
7,476,006	B2 *	1/2009	Hinds	362/286
D608,039	S *	1/2010	Jones	D26/61
7,775,691	B2 *	8/2010	Burgei et al.	362/386

7,857,490	B1 *	12/2010	Fett et al.	362/352
D633,638	S *	3/2011	Vincent	D26/85
D633,639	S *	3/2011	Vincent	D26/85
D638,152	S *	5/2011	Leung	D26/40

* cited by examiner

Primary Examiner — Susan M Lee

Assistant Examiner — Linda G. Brooks

(57) **CLAIM**

The ornamental design for a decorative lamp, as shown and described.

DESCRIPTION

FIG. 1 is a perspective view of a decorative lamp showing my new design;

FIG. 2 is a front elevational view thereof;

FIG. 3 is a rear elevational view thereof;

FIG. 4 is a left side view thereof;

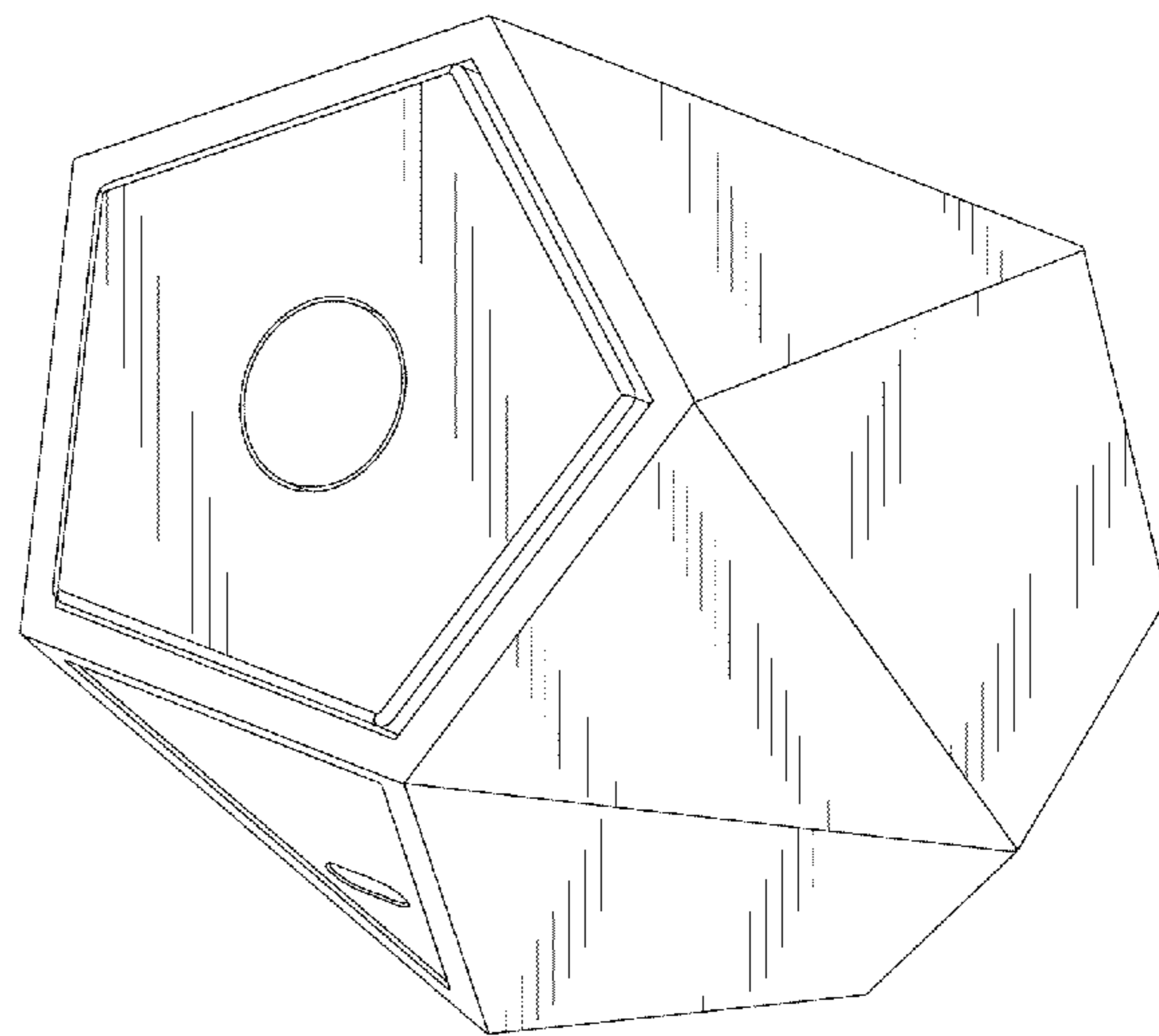
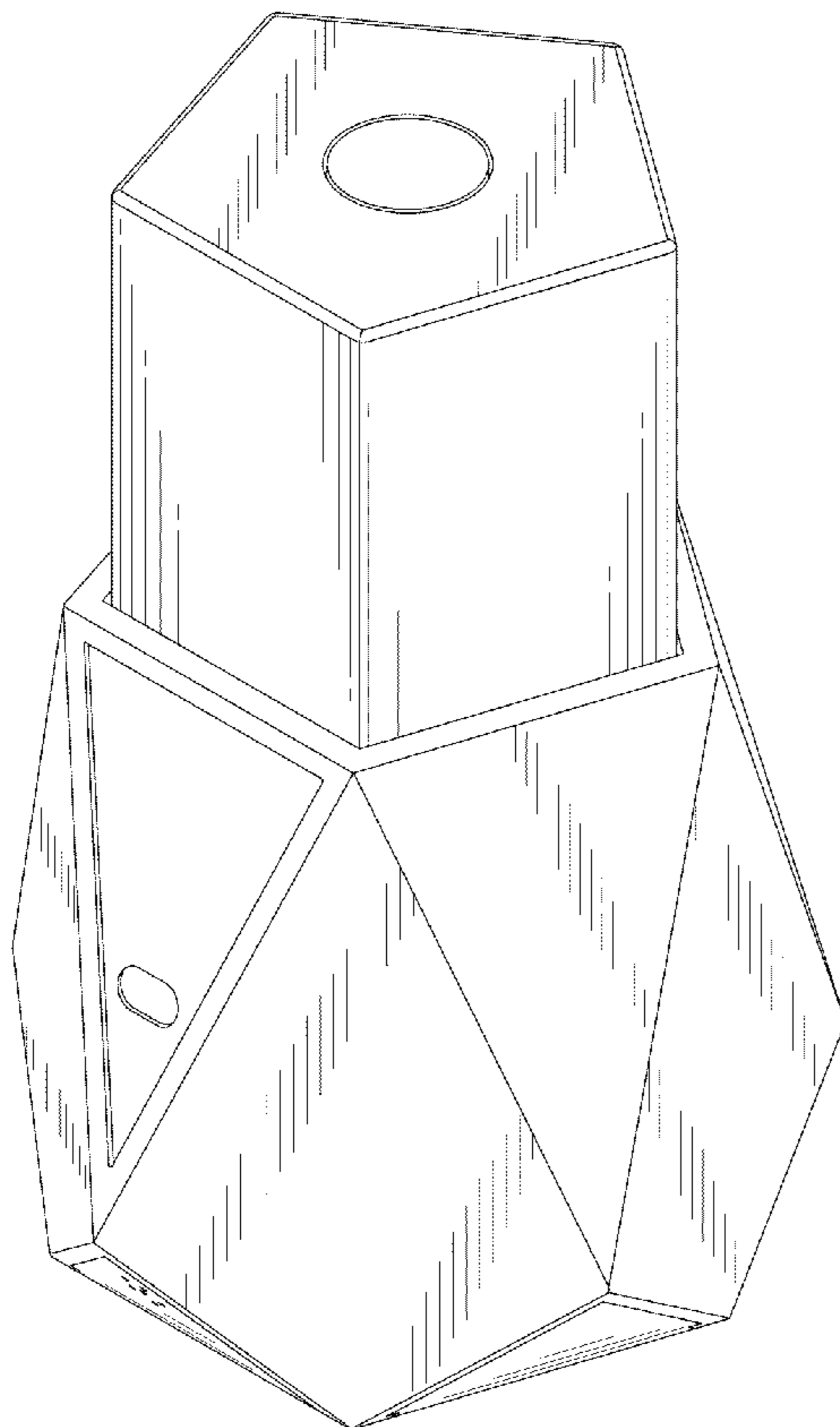
FIG. 5 is a right side view thereof;

FIG. 6 is a top plan view thereof;

FIG. 7 is a bottom plan view thereof; and,

FIG. 8 is a perspective view showing the decorative lamp in a position of use, wherein the upper part of the decorative lamp is movably received in the lower part thereof

1 Claim, 7 Drawing Sheets



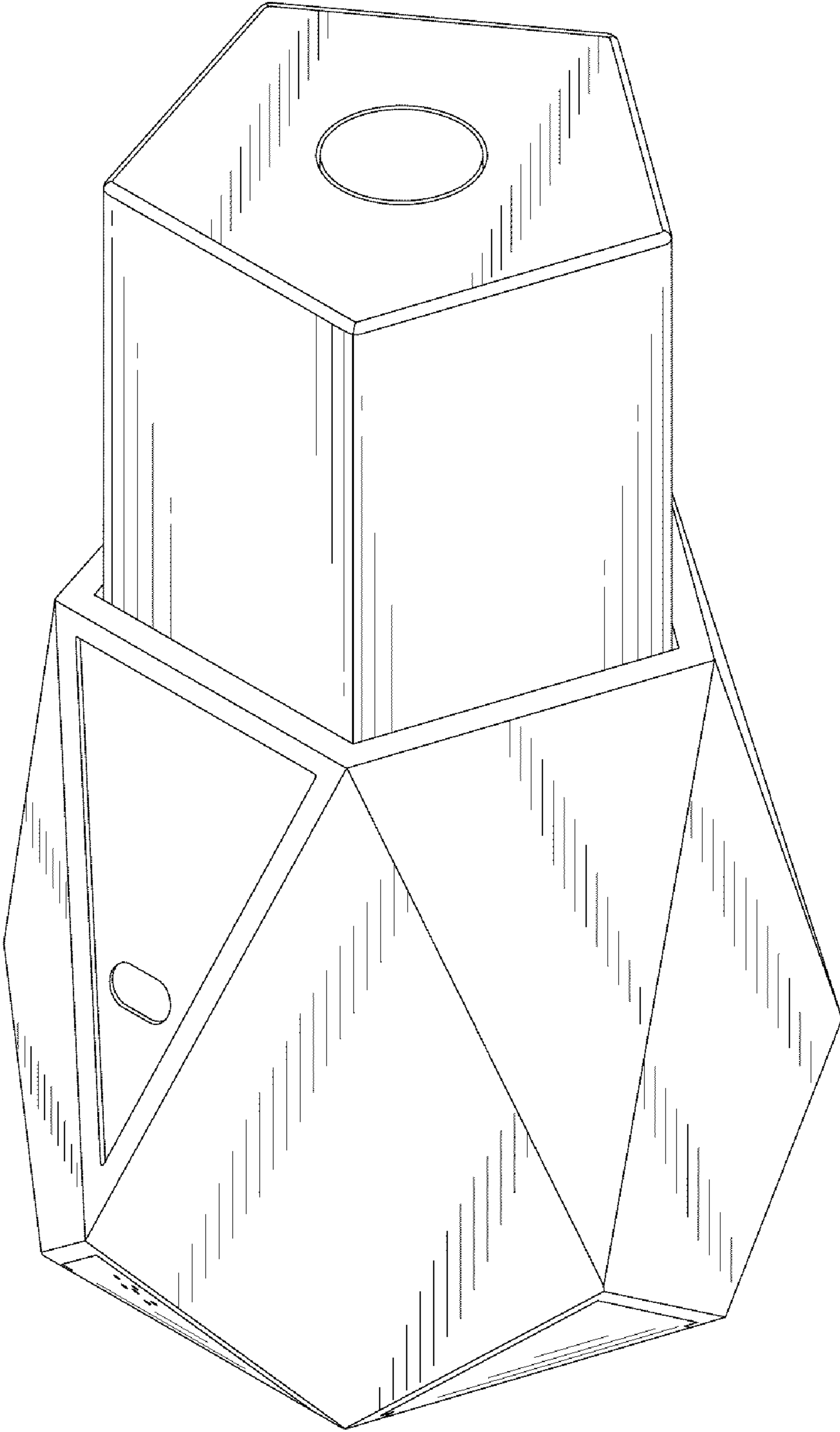


FIG. 1

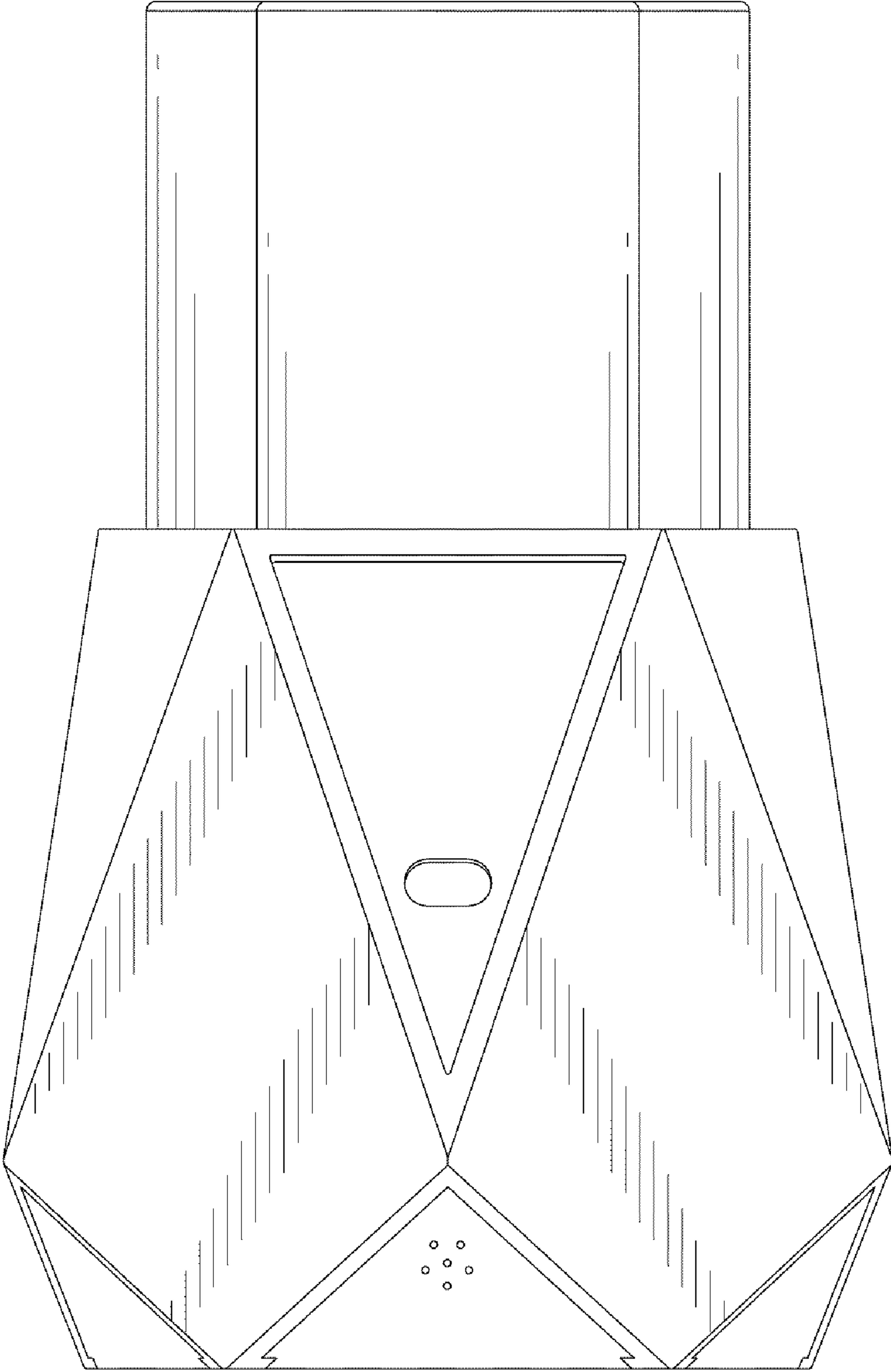


FIG. 2

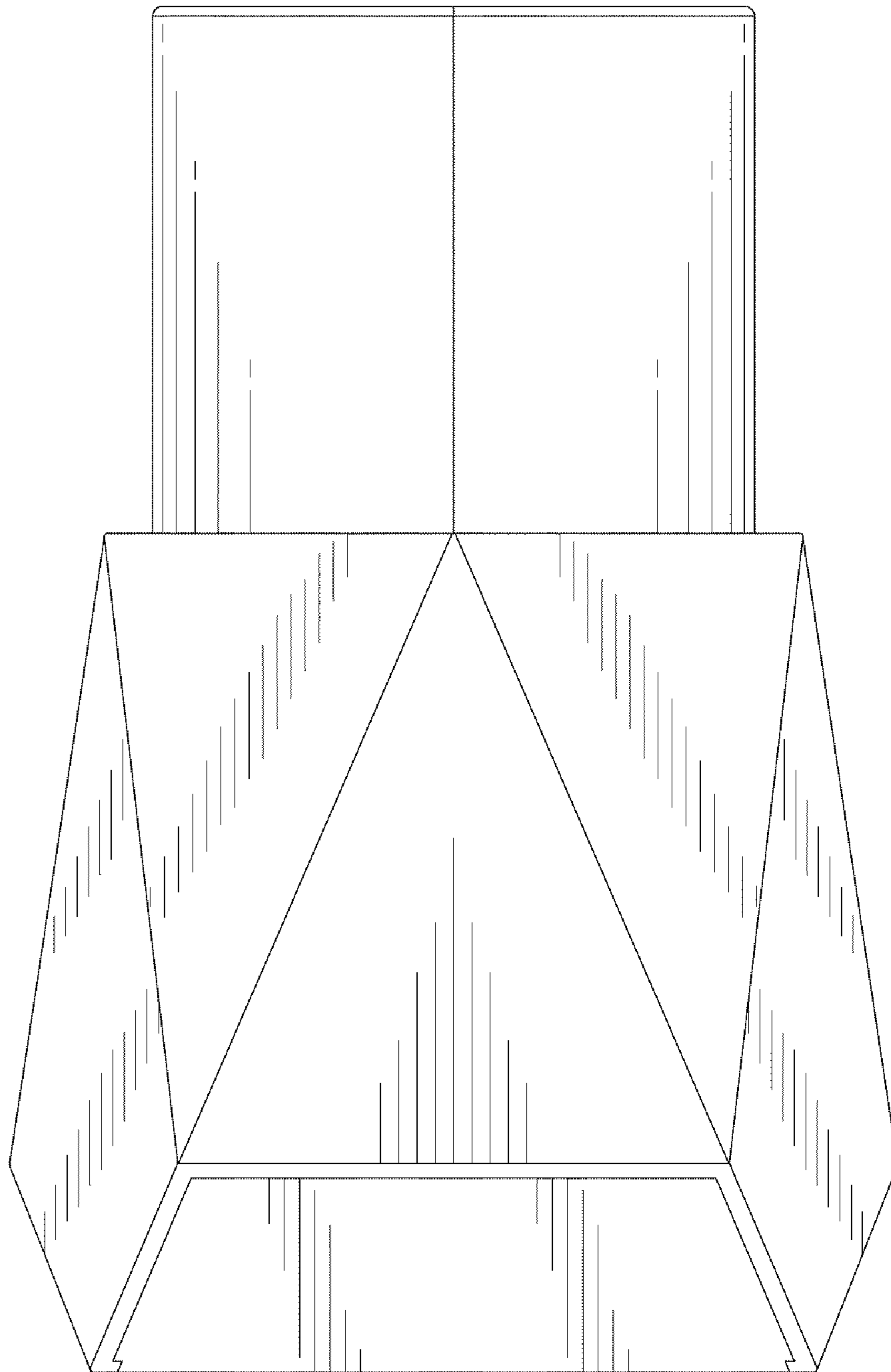


FIG. 3

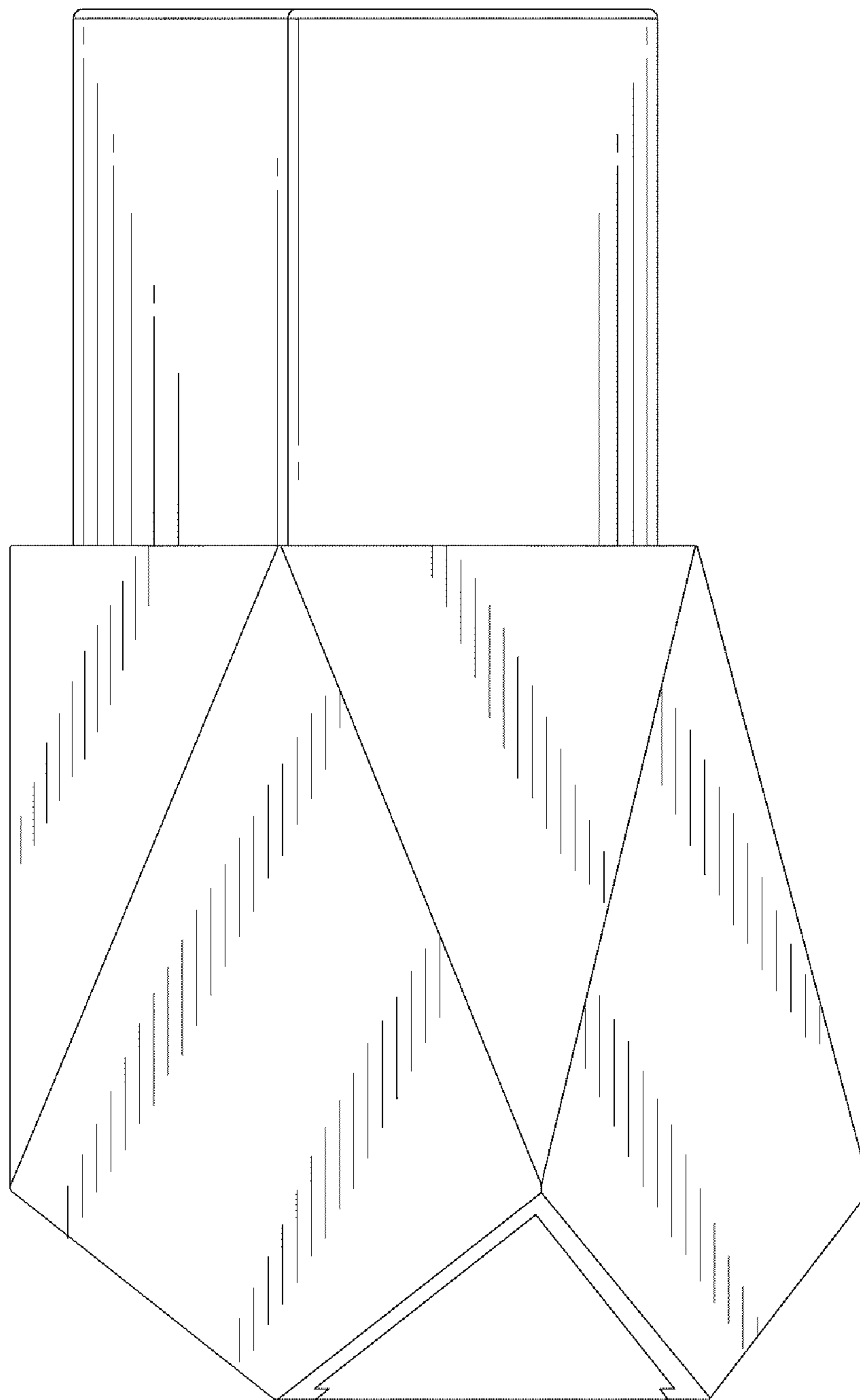


FIG. 4

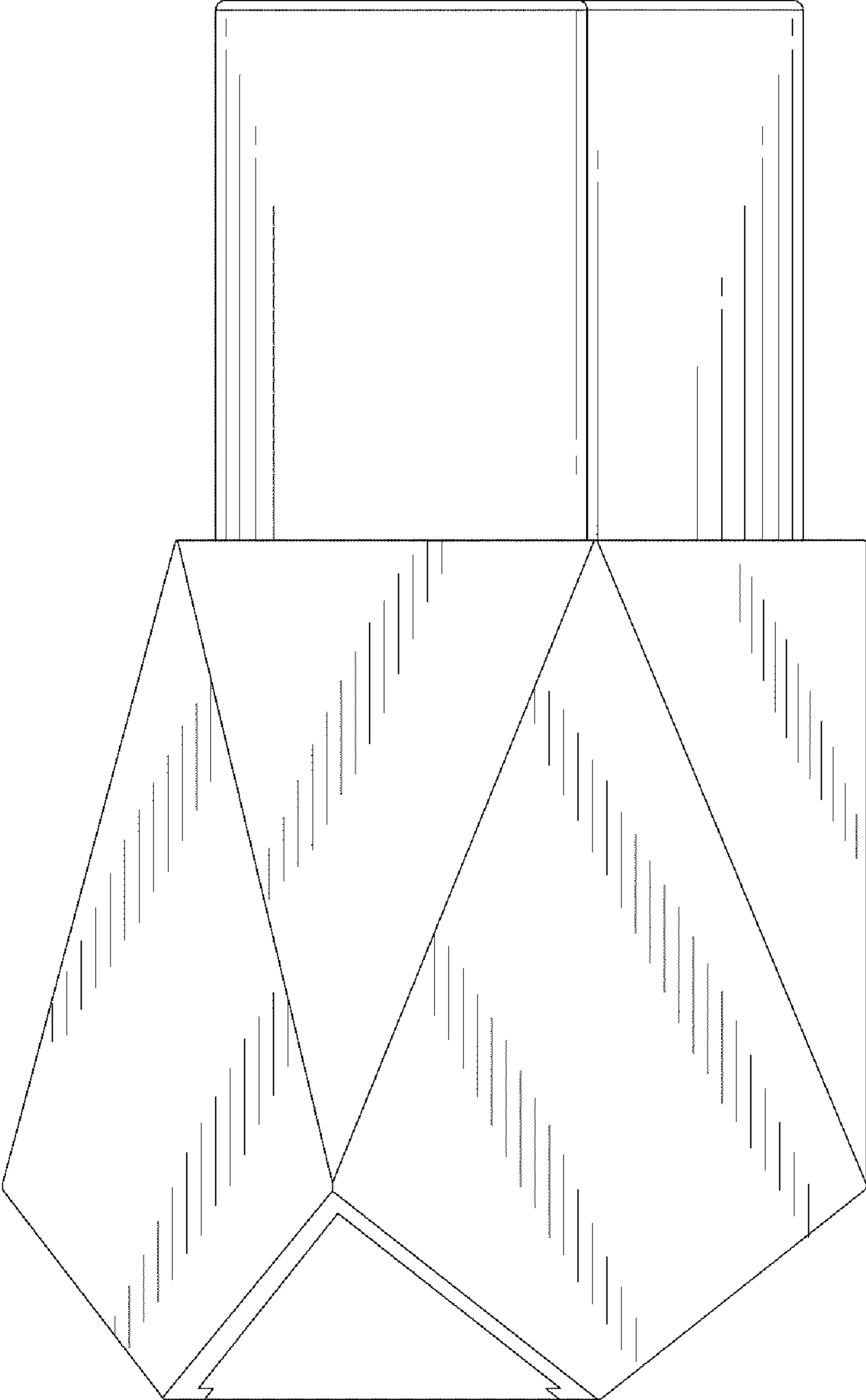


FIG. 5

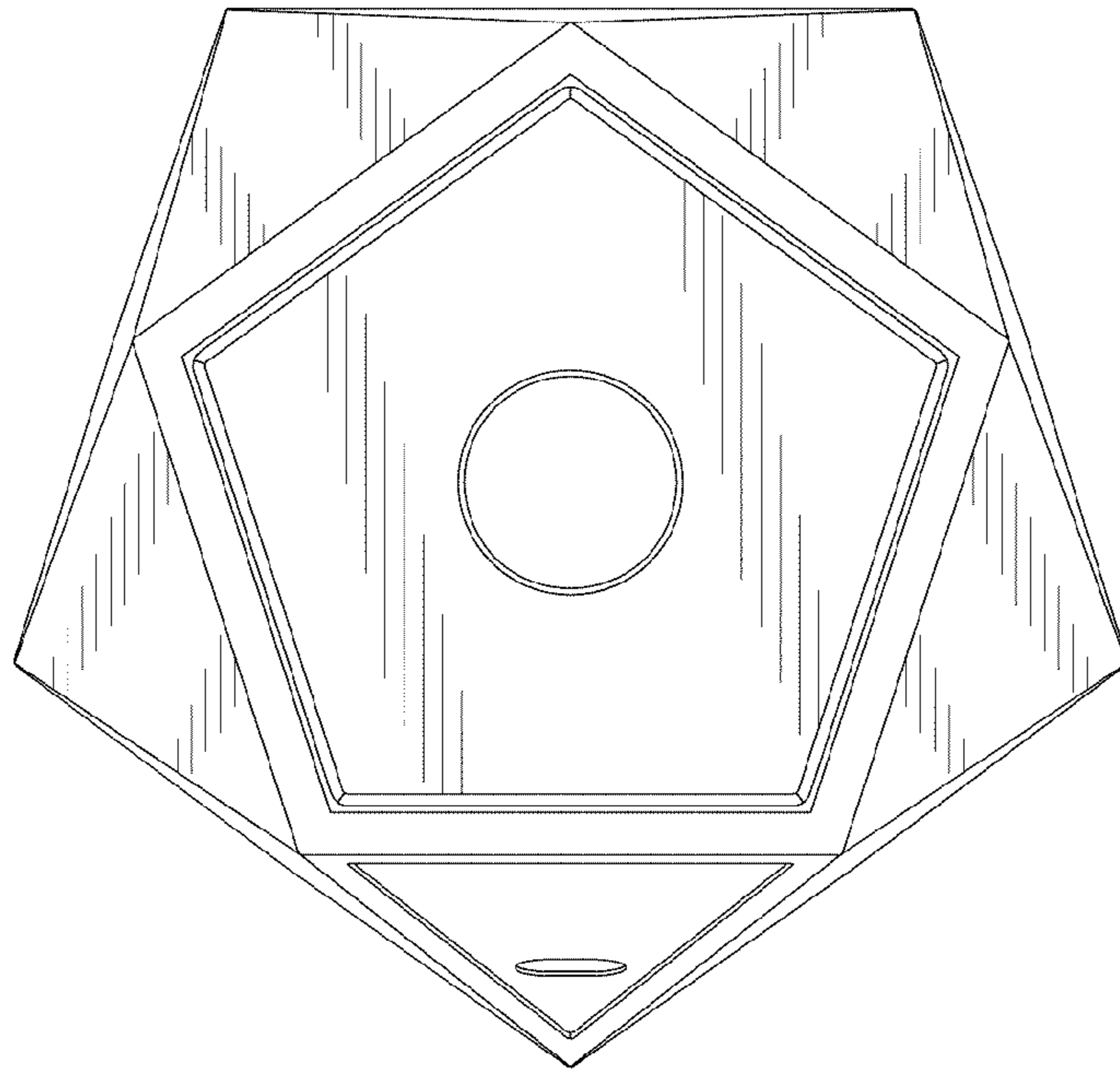


FIG. 6

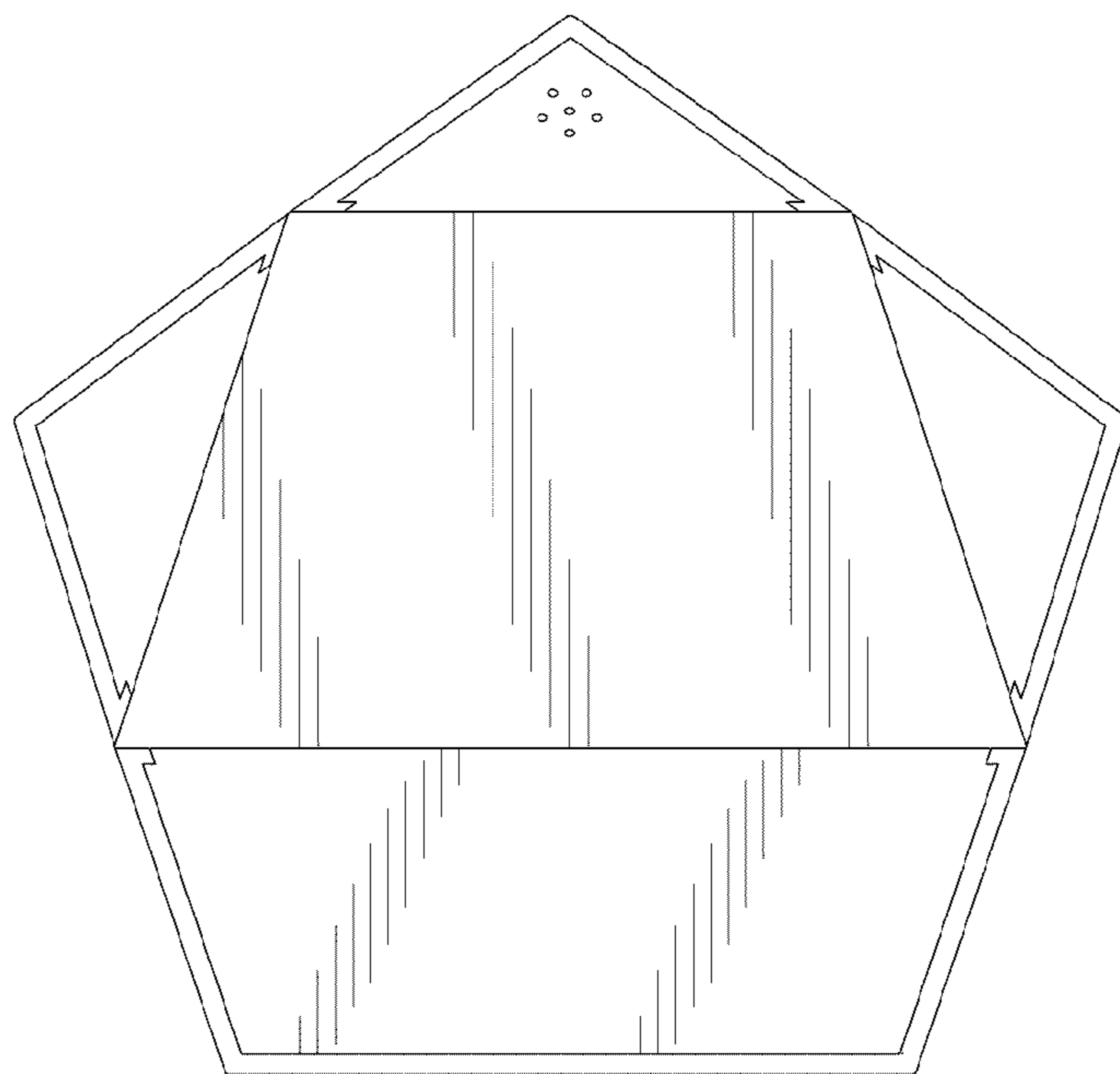


FIG. 7

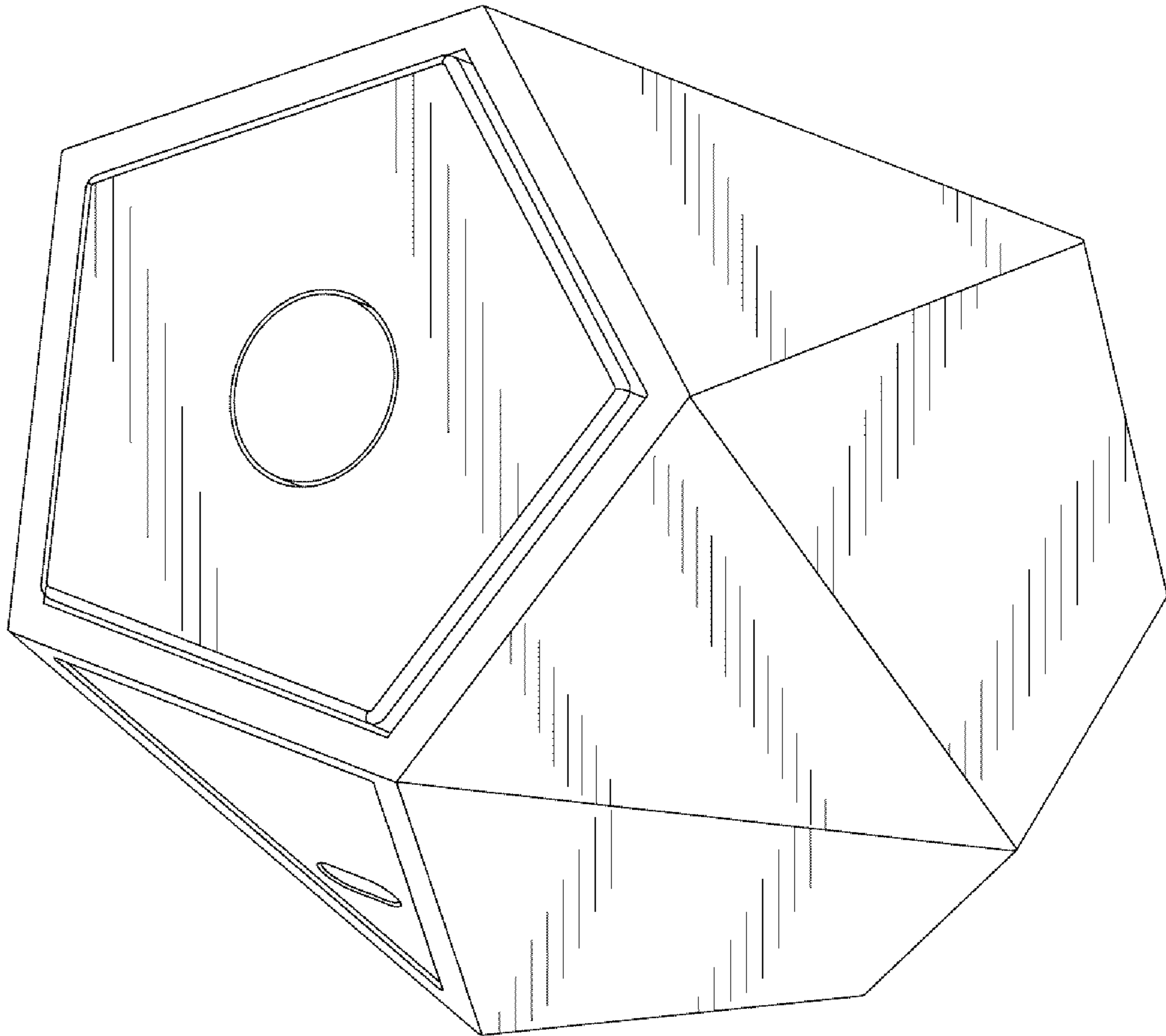


FIG. 8