



US00D642713S

(12) **United States Design Patent**
Babey

(10) **Patent No.:** **US D642,713 S**

(45) **Date of Patent:** **** Aug. 2, 2011**

(54) **FLASHLIGHT**

(76) Inventor: **Andy Babey**, Southampton (GB)

(**) Term: **14 Years**

(21) Appl. No.: **29/358,404**

(22) Filed: **Mar. 26, 2010**

(51) **LOC (9) Cl.** **26-02**

(52) **U.S. Cl.** **D26/46**

(58) **Field of Classification Search** D26/37,
D26/40, 38, 41, 43, 44, 46, 48-50; 362/157,
362/158, 183, 184, 186, 194, 195-196, 200-208
See application file for complete search history.

D449,703 S *	10/2001	Dalton et al.	D26/49
D555,818 S *	11/2007	Crawford	D26/37
D600,378 S *	9/2009	Choi	D26/37
D601,284 S *	9/2009	Schonenbach	D26/46
D606,689 S *	12/2009	Bent	D26/48
D625,865 S *	10/2010	Poon	D26/48

* cited by examiner

Primary Examiner — Ian Simmons

Assistant Examiner — Carissa C Fitts

(74) *Attorney, Agent, or Firm* — Dax D. Anderson; Kirton & McConkie

(57) **CLAIM**

The ornamental design for a flashlight, as shown and described.

(56) **References Cited**

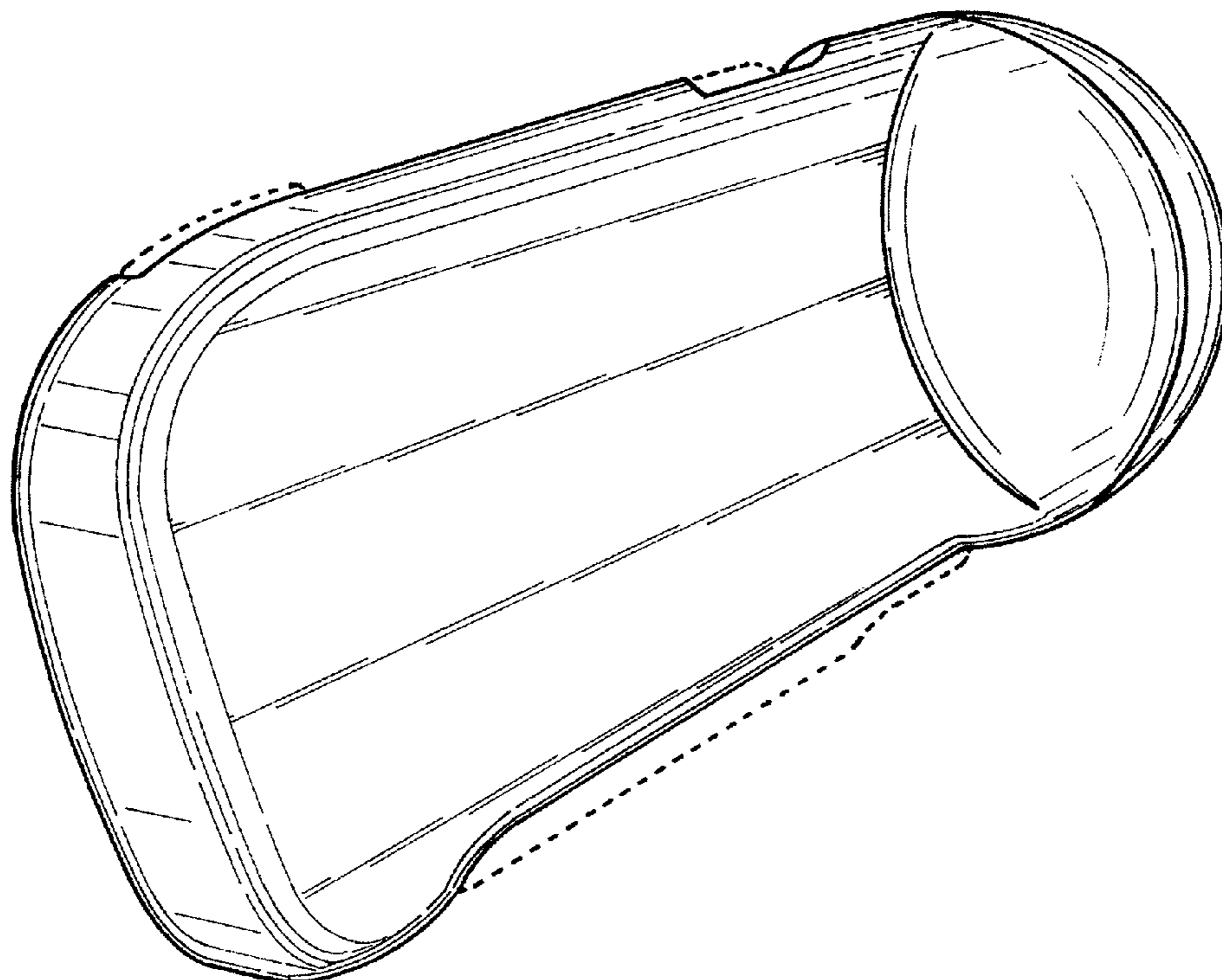
U.S. PATENT DOCUMENTS

D137,394 S *	2/1944	Nicoud	D26/45
D199,264 S *	9/1964	Doring	D26/46
D332,319 S *	1/1993	Yuen	D26/38
D332,321 S *	1/1993	Yuen	D26/46
D346,236 S *	4/1994	Yuen	D26/46
D373,436 S *	9/1996	Li et al.	D26/44
D422,729 S *	4/2000	Chiu et al.	D26/42
D422,734 S *	4/2000	Stephens	D26/49
D444,897 S *	7/2001	Yuen	D26/46
D445,933 S *	7/2001	Israel et al.	D26/46
D445,934 S *	7/2001	Dalton et al.	D26/49
D447,259 S *	8/2001	Lynch et al.	D26/49

DESCRIPTION

FIG. 1 shows a first side view of the flashlight.
FIG. 2 shows a second side view of the flashlight.
FIG. 3 shows a bottom view of the flashlight.
FIG. 4 shows a top view of the flashlight.
FIG. 5 shows a front view of the flashlight.
FIG. 6 shows a rear view of the flashlight; and,
FIG. 7 shows a rear perspective view of the flashlight.
The broken line showing is for environmental purposes only and forms no part of the claimed design.

1 Claim, 6 Drawing Sheets



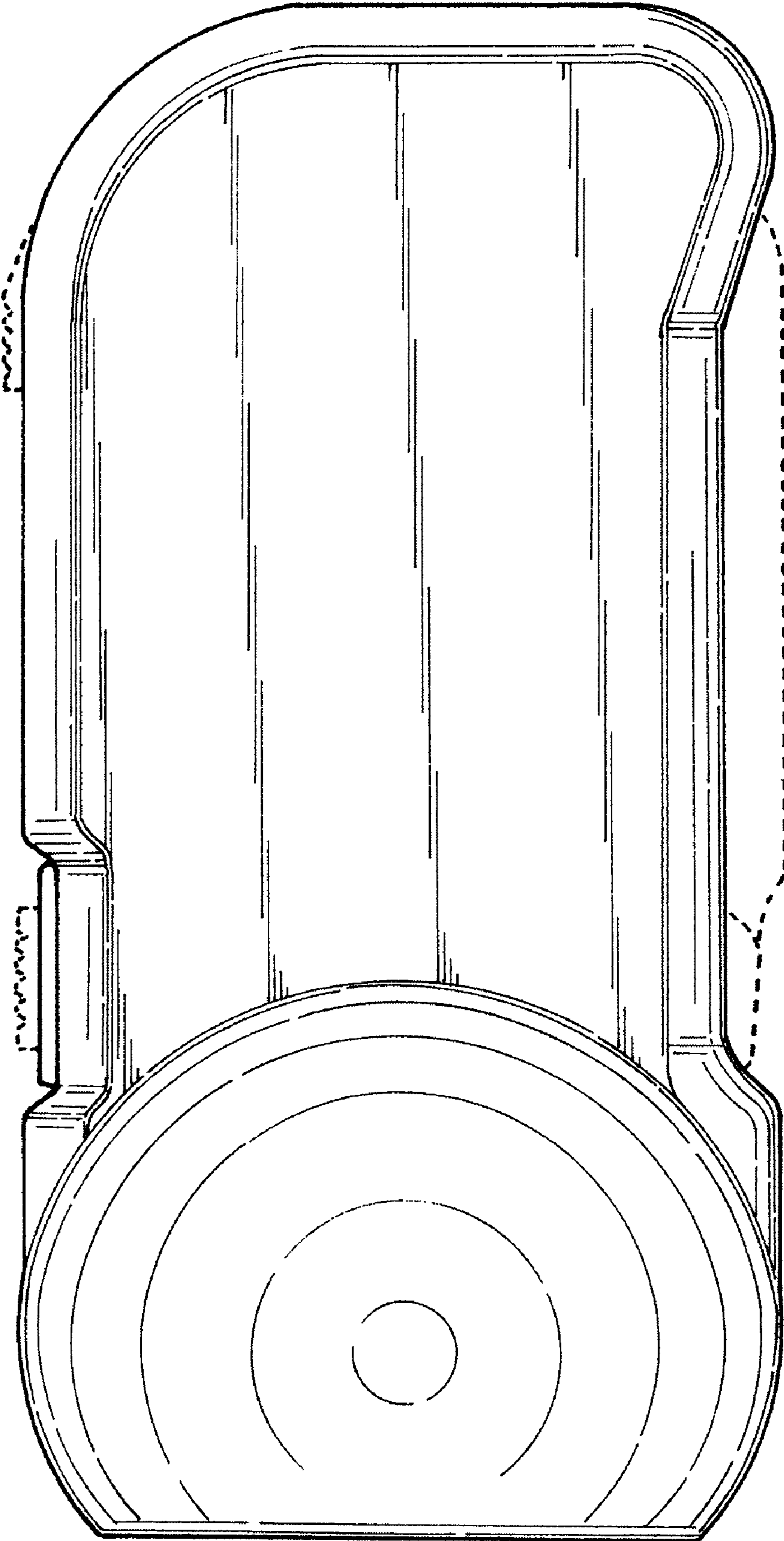


FIG.1

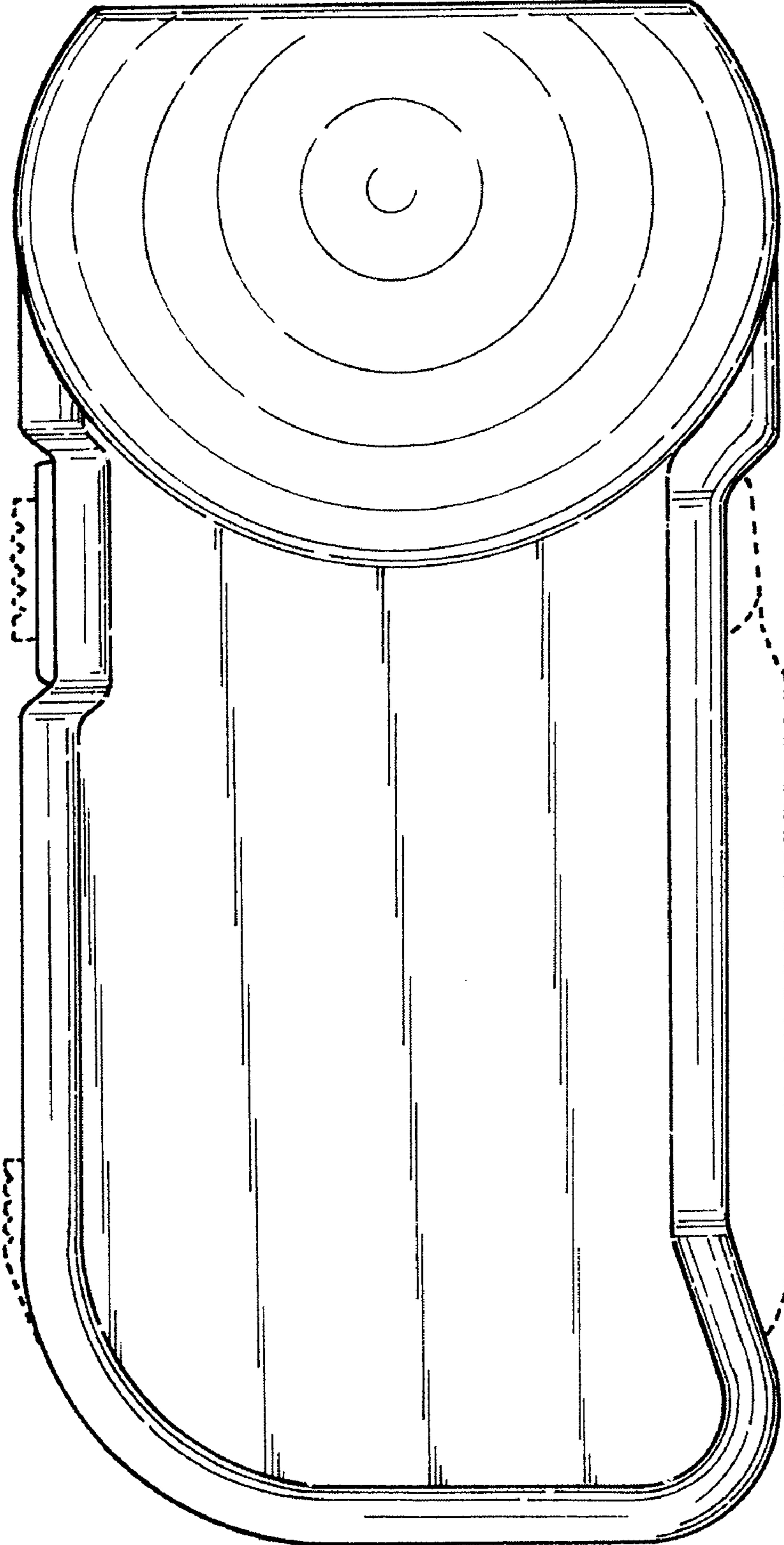


FIG. 2

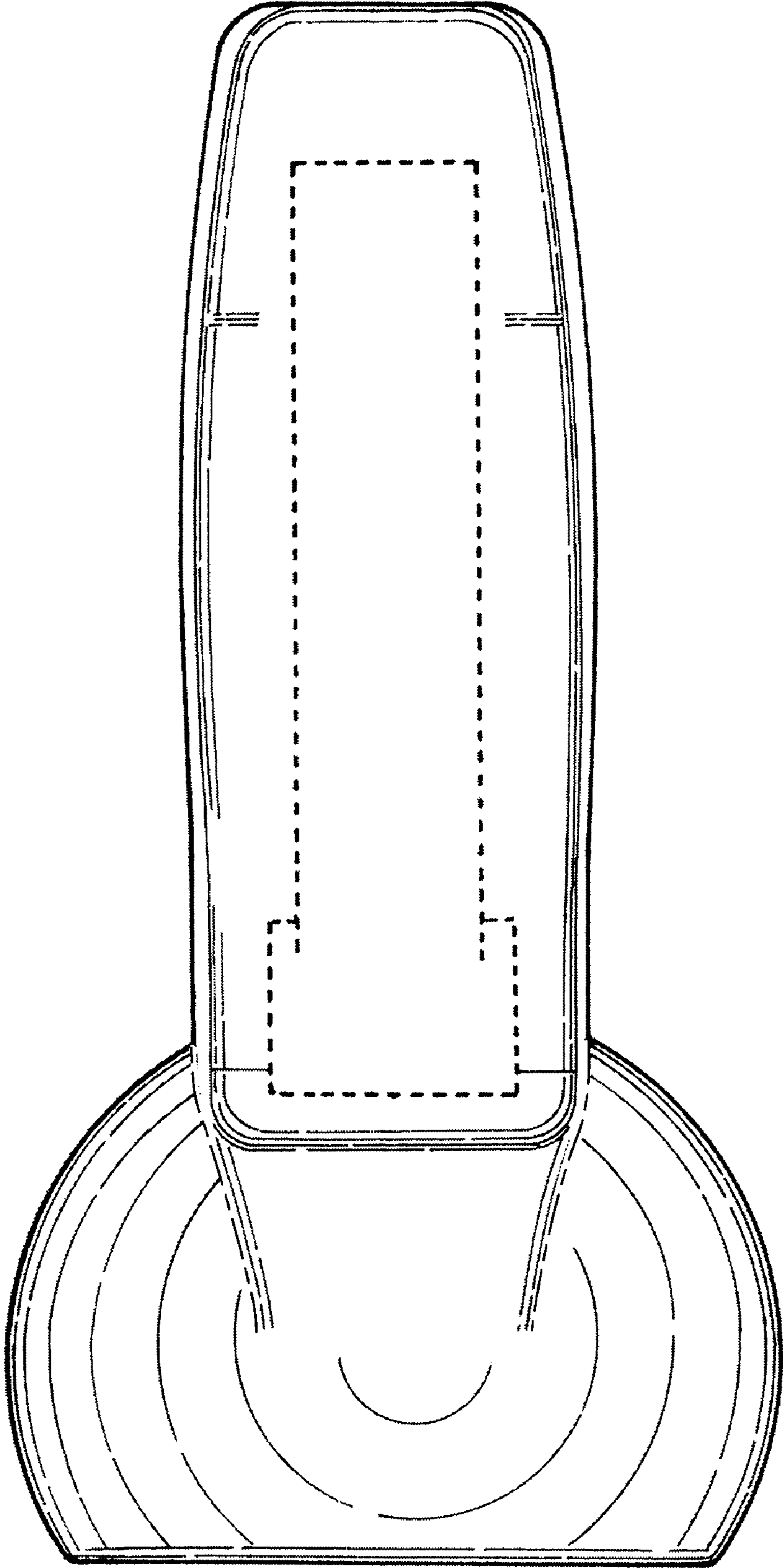


FIG.3

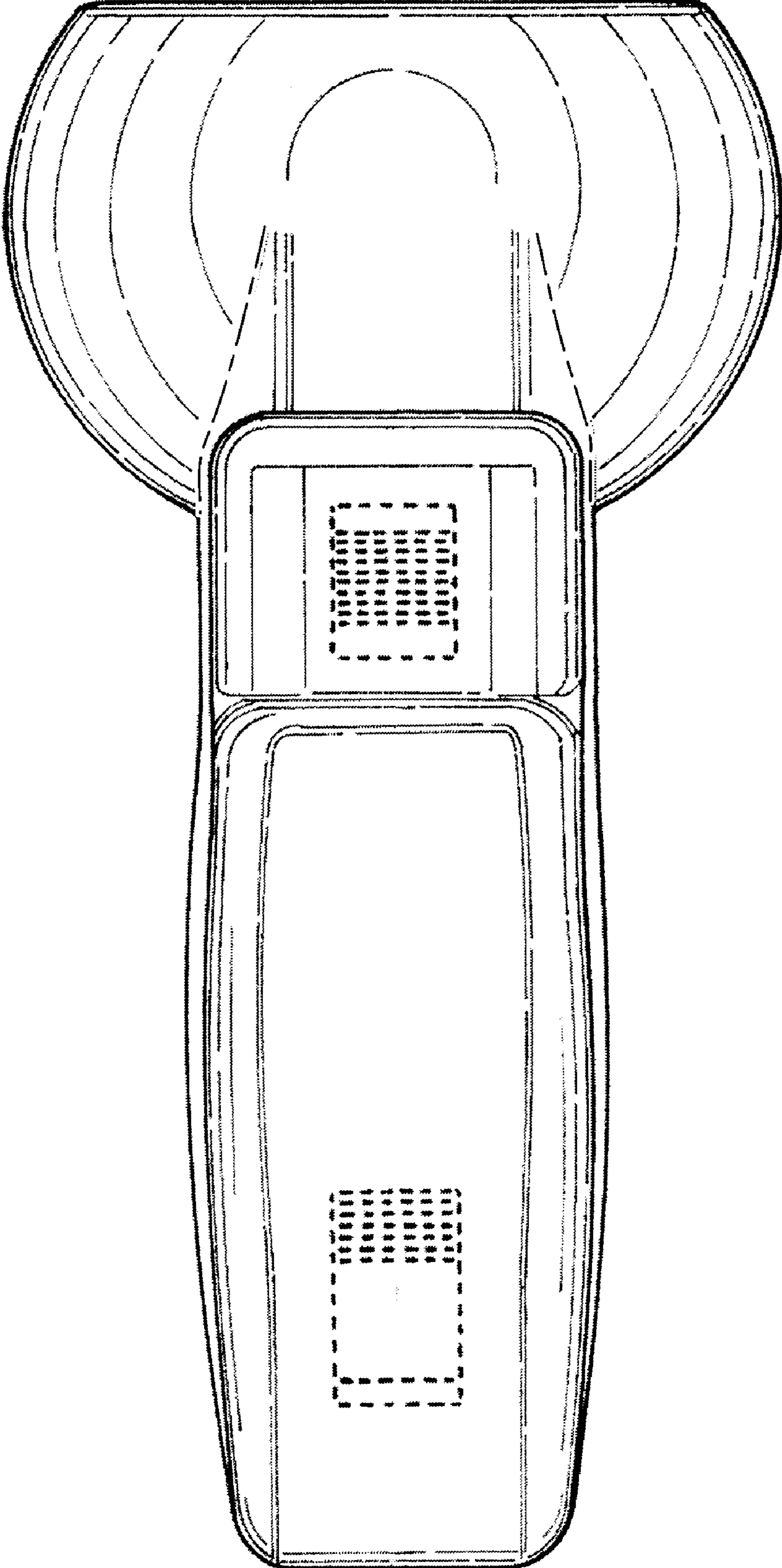


FIG.4

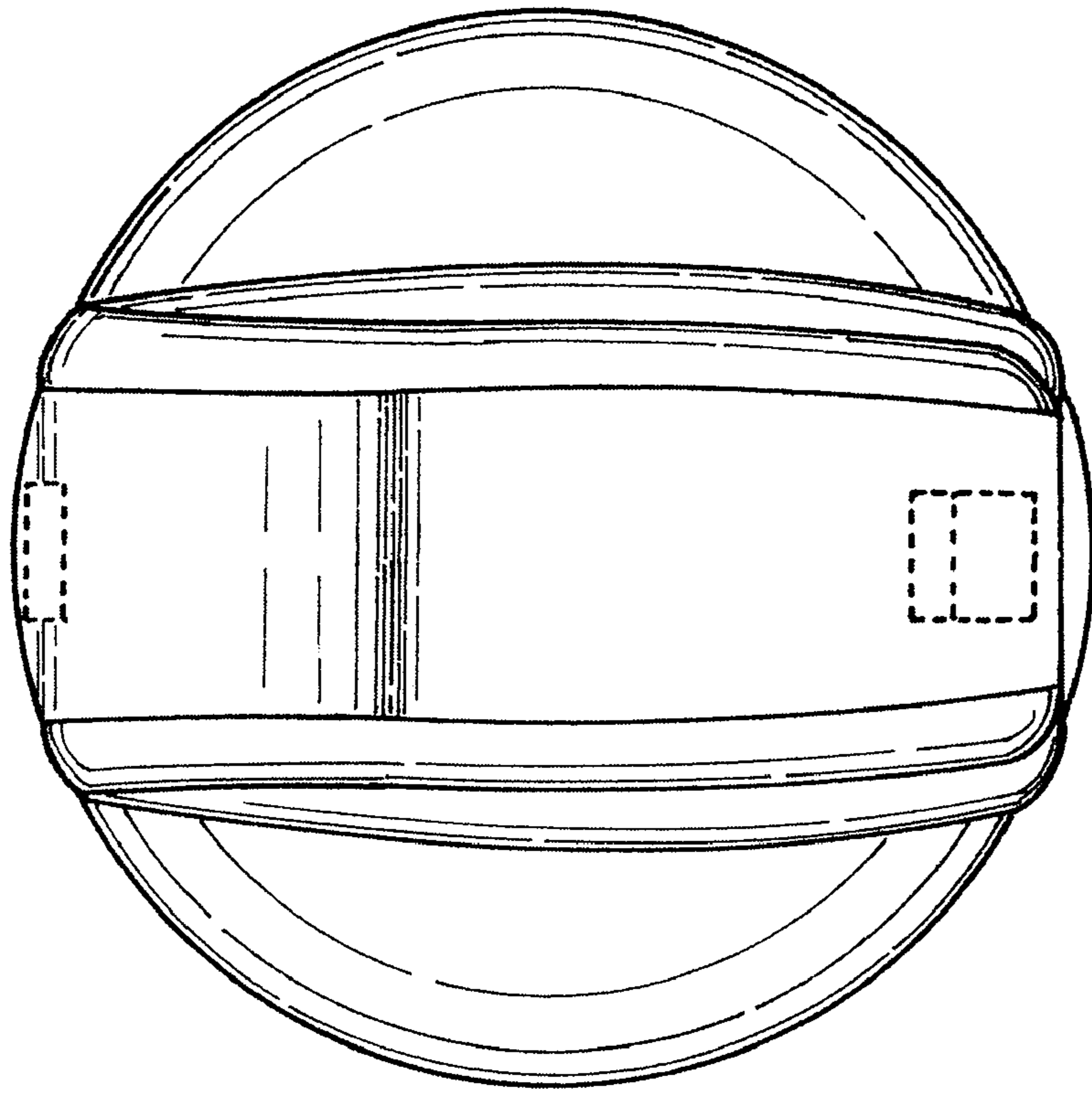


FIG. 6

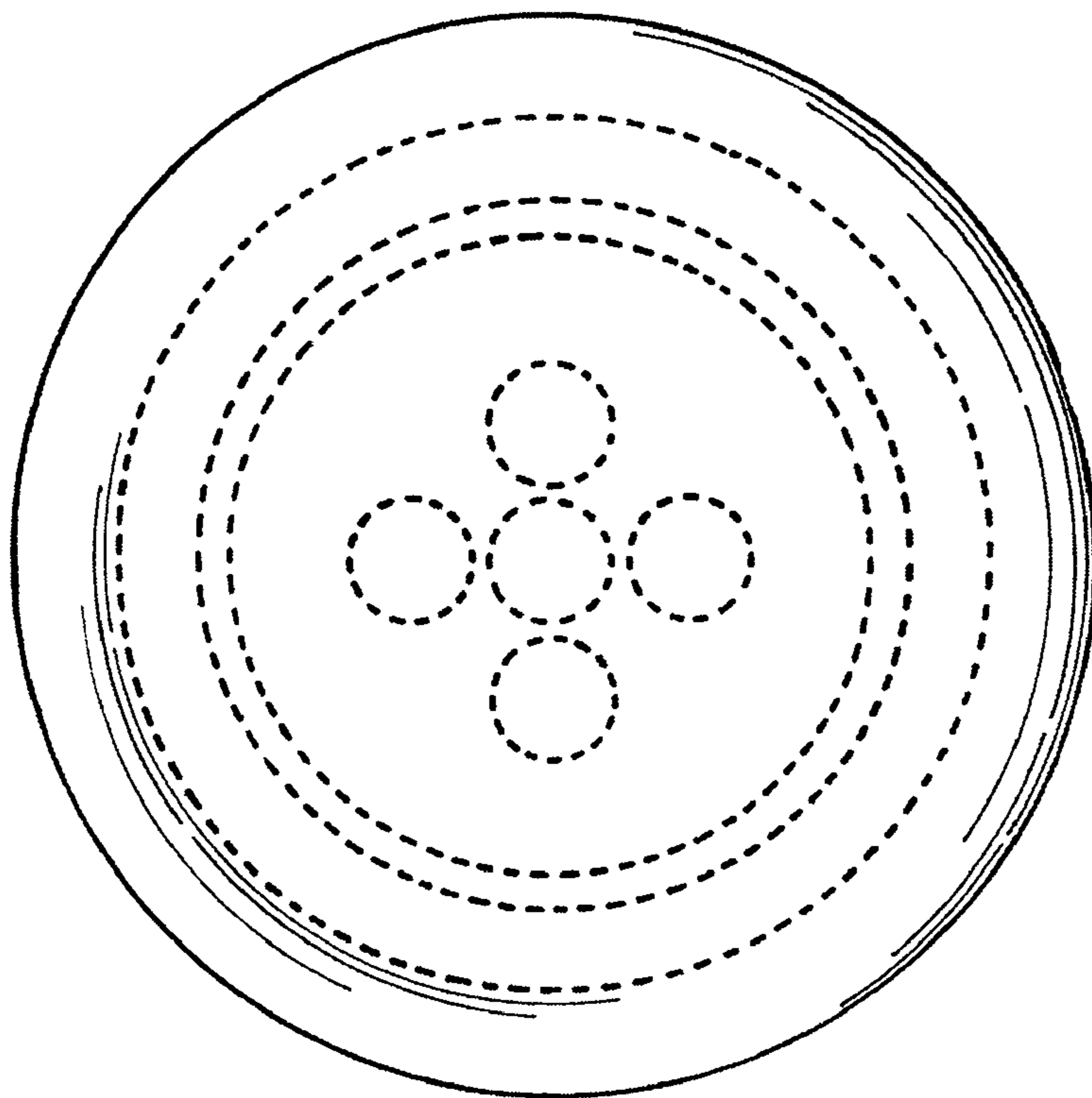


FIG. 5

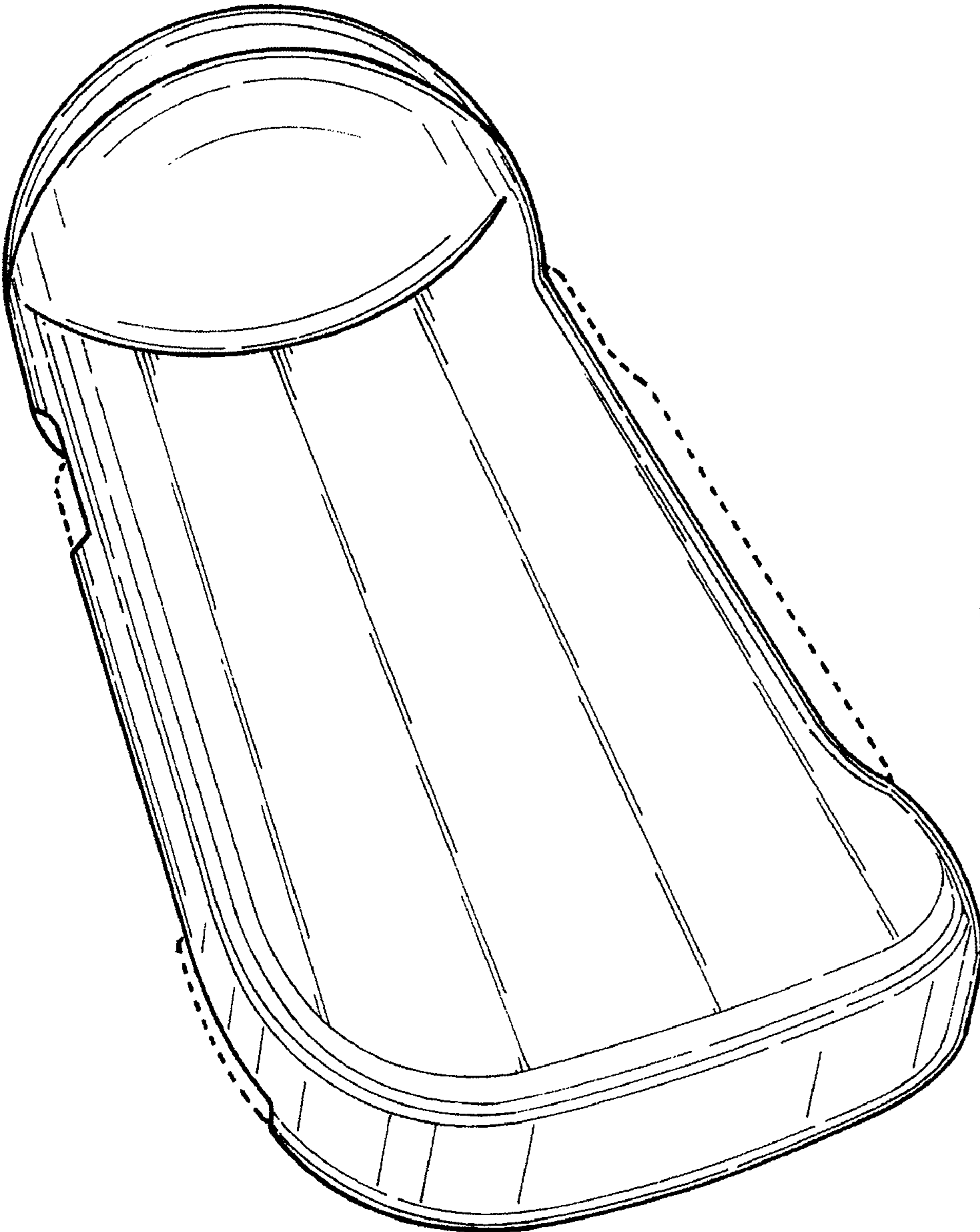


FIG.7