



US00D642712S

(12) **United States Design Patent**
Ishigaki

(10) **Patent No.:** **US D642,712 S**

(45) **Date of Patent:** **** Aug. 2, 2011**

(54) **FRONT COMBINATION LAMP FOR
AUTOMOBILE**

(75) Inventor: **Shingo Ishigaki, Wako (JP)**

(73) Assignee: **Honda Motor Co., Ltd., Tokyo (JP)**

(**) Term: **14 Years**

(21) Appl. No.: **29/384,824**

(22) Filed: **Feb. 4, 2011**

(30) **Foreign Application Priority Data**

Aug. 6, 2010 (JP) 2010-019325

(51) **LOC (9) Cl.** **26-06**

(52) **U.S. Cl.** **D26/28**

(58) **Field of Classification Search** D26/28-36;
362/459-468, 475-478, 485-487

See application file for complete search history.

(56) **References Cited**

U.S. PATENT DOCUMENTS

D550,383 S *	9/2007	Asai	D26/28
D556,349 S *	11/2007	Golden et al.	D26/28
D560,291 S *	1/2008	Koyama	D26/28
D561,358 S *	2/2008	Tachibana	D26/28

* cited by examiner

Primary Examiner — Marcus Jackson

(74) *Attorney, Agent, or Firm* — Birch, Stewart, Kolasch & Birch, LLP

(57) **CLAIM**

The ornamental design for a front combination lamp for automobile, as shown and described.

DESCRIPTION

FIG. 1 is a perspective view from the front side of a front combination lamp for automobile.

FIG. 2 is a front elevation view thereof.

FIG. 3 is a top plan view thereof.

FIG. 4 is a left side elevation view thereof; and,

FIG. 5 is a right side elevation view thereof.

The portion of the article shown in broken lines is for the purpose of showing environmental structure only and forms no part of the claimed design.

1 Claim, 5 Drawing Sheets

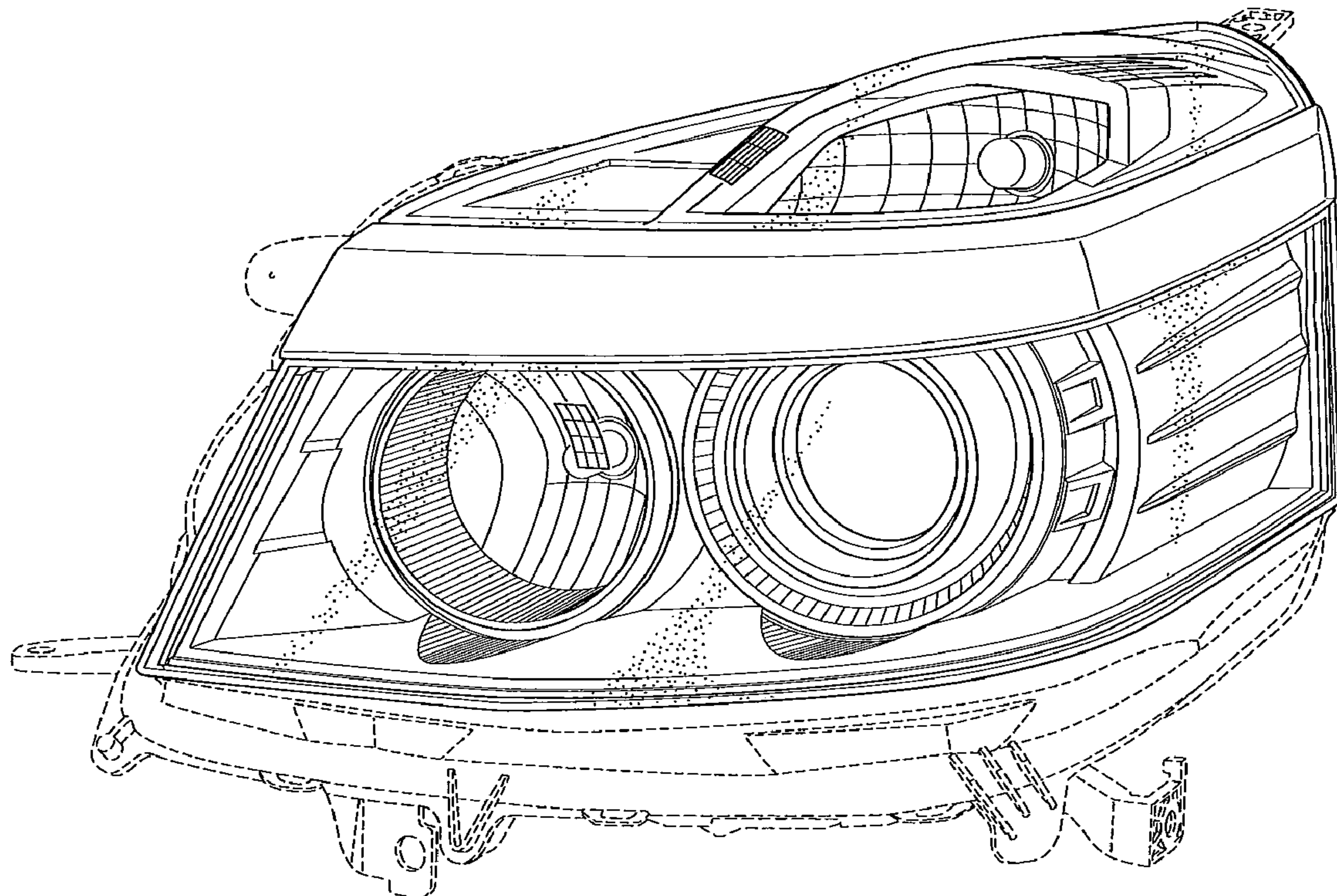


FIG. 1

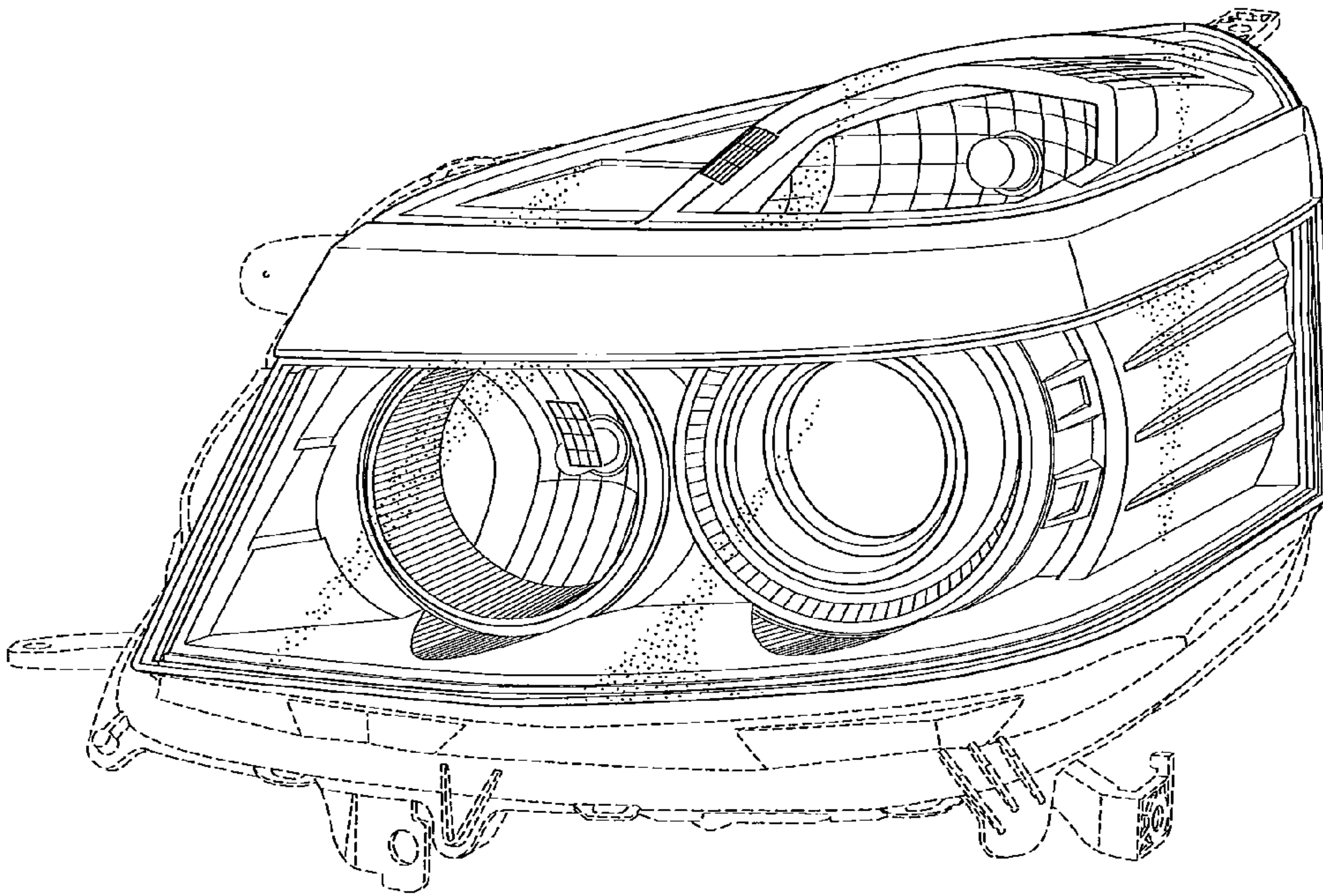


FIG. 2

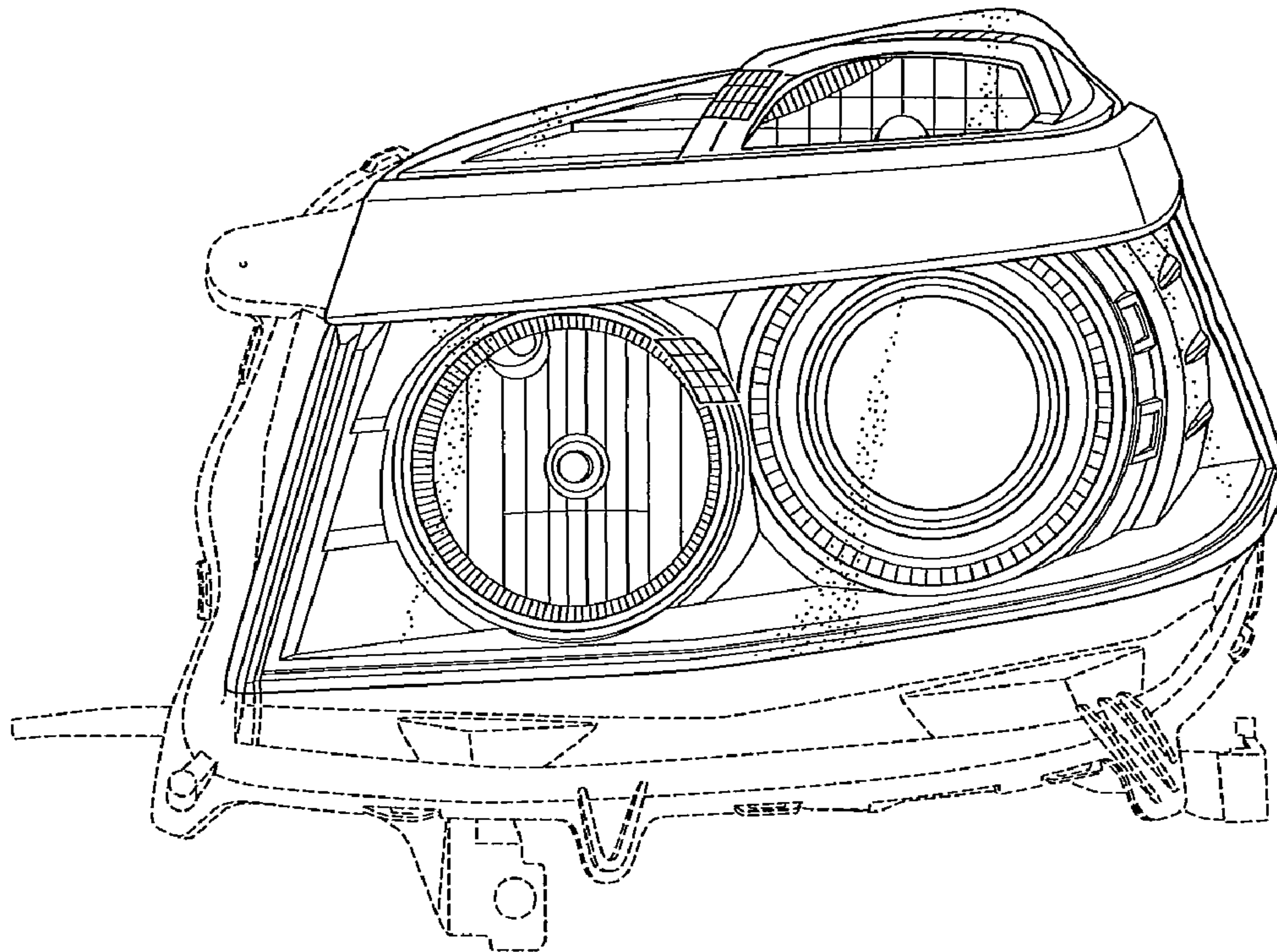


FIG. 3

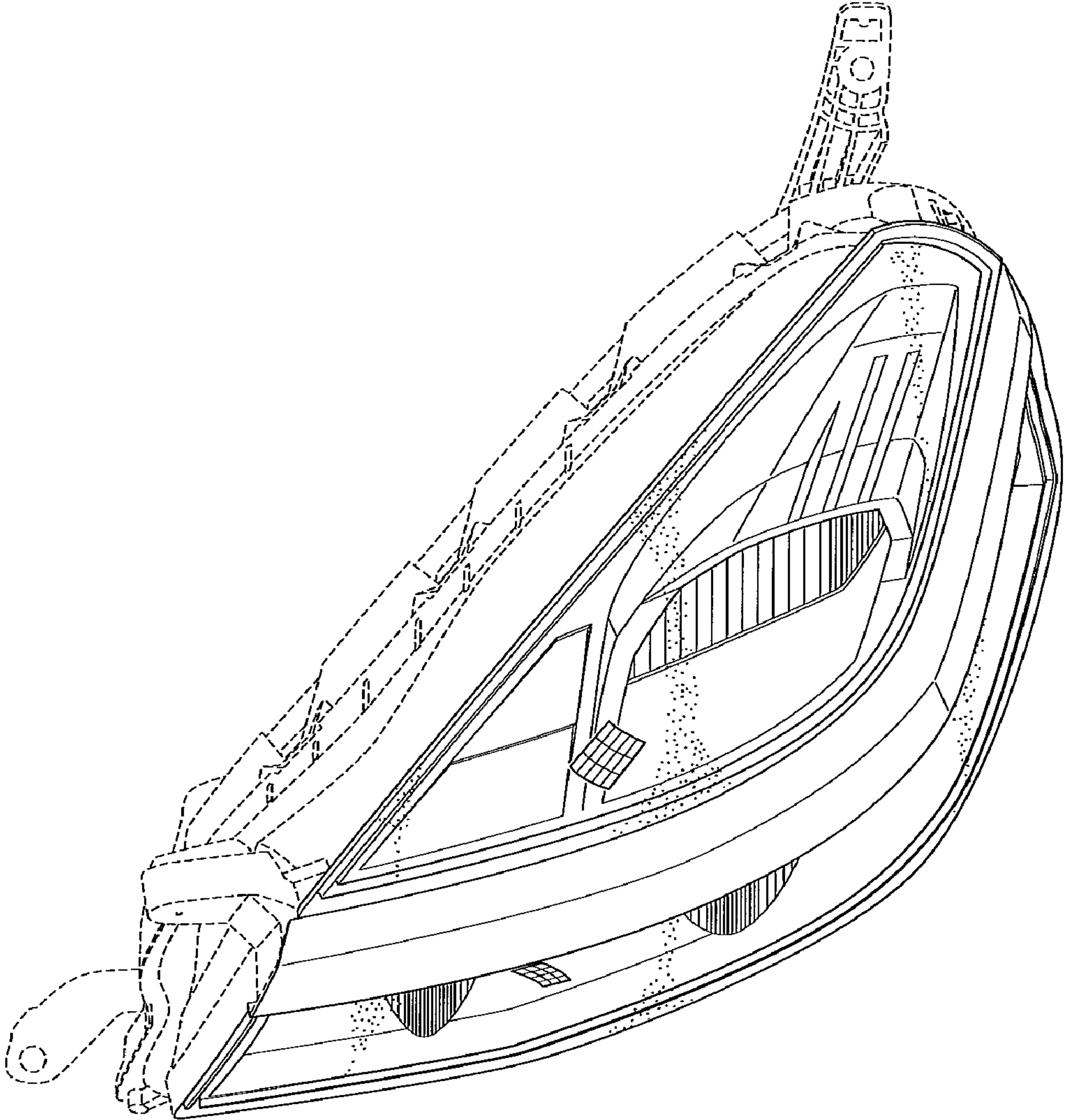


FIG. 4

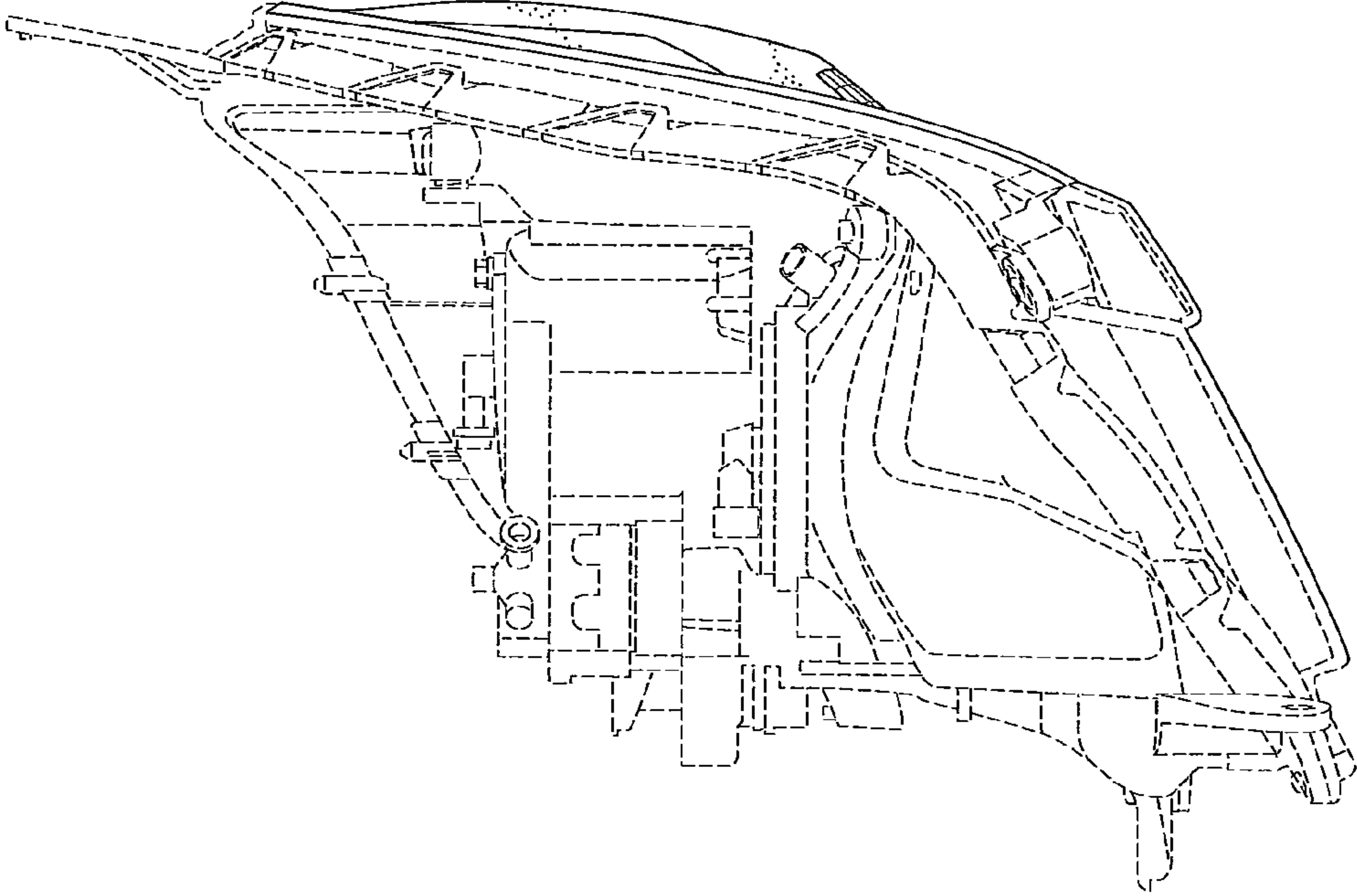


FIG. 5

