



US00D642710S

(12) **United States Design Patent**
Woolley et al.

(10) **Patent No.:** **US D642,710 S**

(45) **Date of Patent:** **** Aug. 2, 2011**

(54) **VEHICLE LAMP**

(75) Inventors: **Richard Woolley**, West Midlands (GB);
Earl Lucas, Southfield, MI (US); **Dean Carbis**, Birmingham, MI (US); **Dong Park**, Royal Oak, MI (US); **Michael Boyd**, Detroit, MI (US)

(73) Assignee: **Ford Motor Company**, Dearborn, MI (US)

(**) Term: **14 Years**

(21) Appl. No.: **29/330,137**

(22) Filed: **Dec. 30, 2008**

(51) **LOC (9) Cl.** **26-06**

(52) **U.S. Cl.** **D26/28**

(58) **Field of Classification Search** D26/28-36;
362/459-468, 475-478, 485-487

See application file for complete search history.

(56) **References Cited**

U.S. PATENT DOCUMENTS

D549,363	S	*	8/2007	Pfeiffer	D26/28
D550,380	S	*	9/2007	Lin	D26/28
D552,769	S	*	10/2007	Leclercq	D26/28
D553,268	S	*	10/2007	Pfeiffer	D26/28
D555,815	S		11/2007	Golden et al.		
D560,292	S	*	1/2008	Sato	D26/28
D560,303	S		1/2008	Mays et al.		
D561,357	S	*	2/2008	Leclercq	D26/28
D565,211	S	*	3/2008	Haller et al.	D26/28

D570,015	S	*	5/2008	Hsu	D26/28
D573,282	S	*	7/2008	Hsu	D26/28
D576,765	S		9/2008	Song et al.		
D586,267	S		2/2009	Ebel et al.		
D595,895	S		7/2009	Lamm		

OTHER PUBLICATIONS

Paris 2006 Mondeo Break Concept, <http://www.a2mac1.net>.
<http://www.autoblog.com;2008/04-09spy-shots-2010ford-aurus-finally/>.

* cited by examiner

Primary Examiner — Marcus A Jackson

(74) *Attorney, Agent, or Firm* — Damian Porcari

(57) **CLAIM**

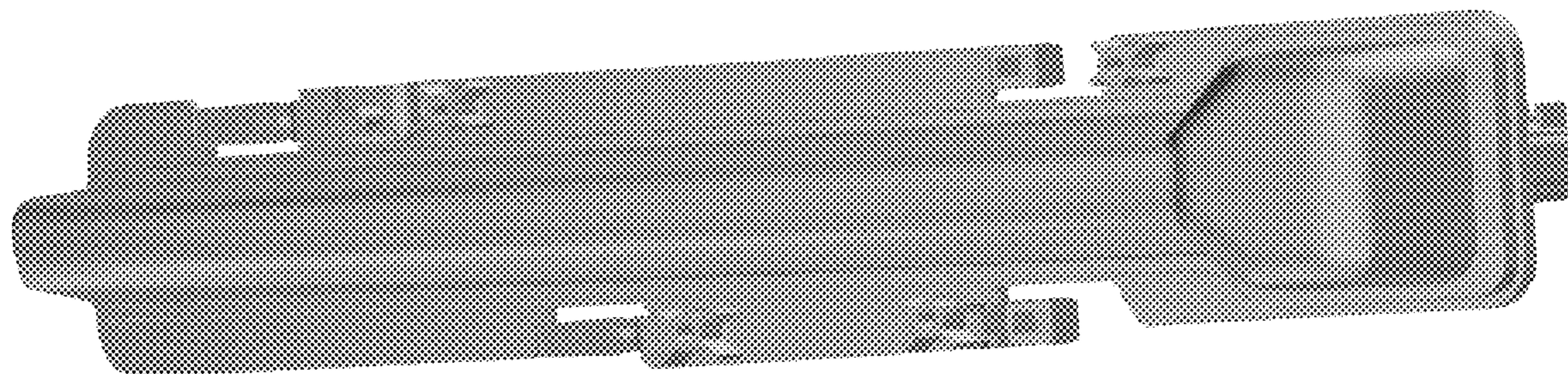
We claim an ornamental design for a vehicle lamp, as shown and described.

DESCRIPTION

FIG. 1 is a left side view of a vehicle lamp (the right being a mirror image and is not illustrated);
FIG. 2 is a right side view of the vehicle lamp;
FIG. 3 is a top plan view of the vehicle lamp;
FIG. 4 is a bottom plan view of the vehicle lamp;
FIG. 5 is a front elevational view of the vehicle lamp; and,
FIG. 6 is a rear elevational view of the vehicle lamp.

The vehicle lamp is styled independently of adjacent vehicle panels. Shading is used to illustrate the curvature of the part and not color. Functional features of the vehicle lamp are not claimed, nor are the reflections thereon. Views are computer aided orthogonal renderings of the vehicle lamp.

1 Claim, 6 Drawing Sheets



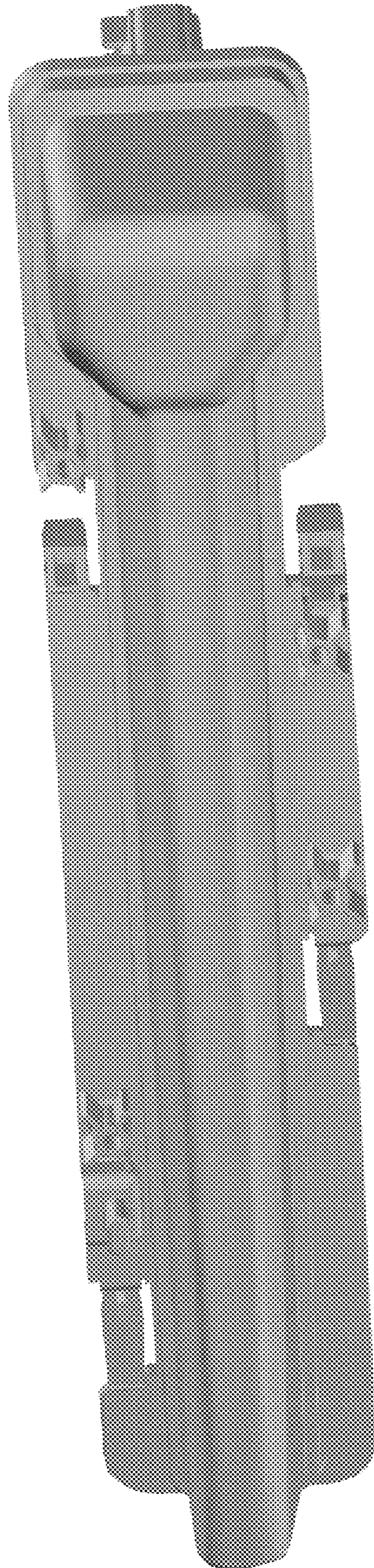


Figure 1

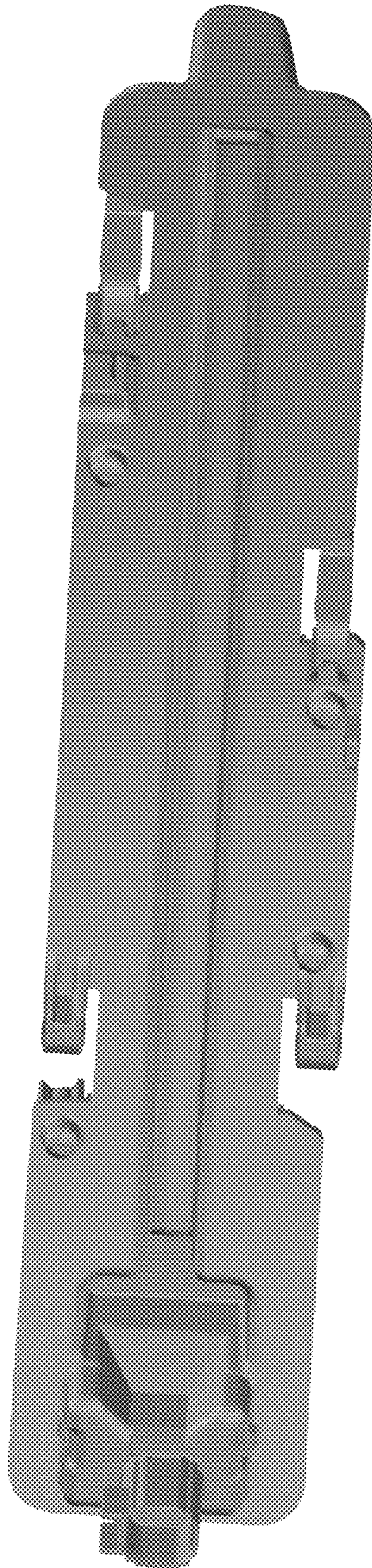


Figure 2

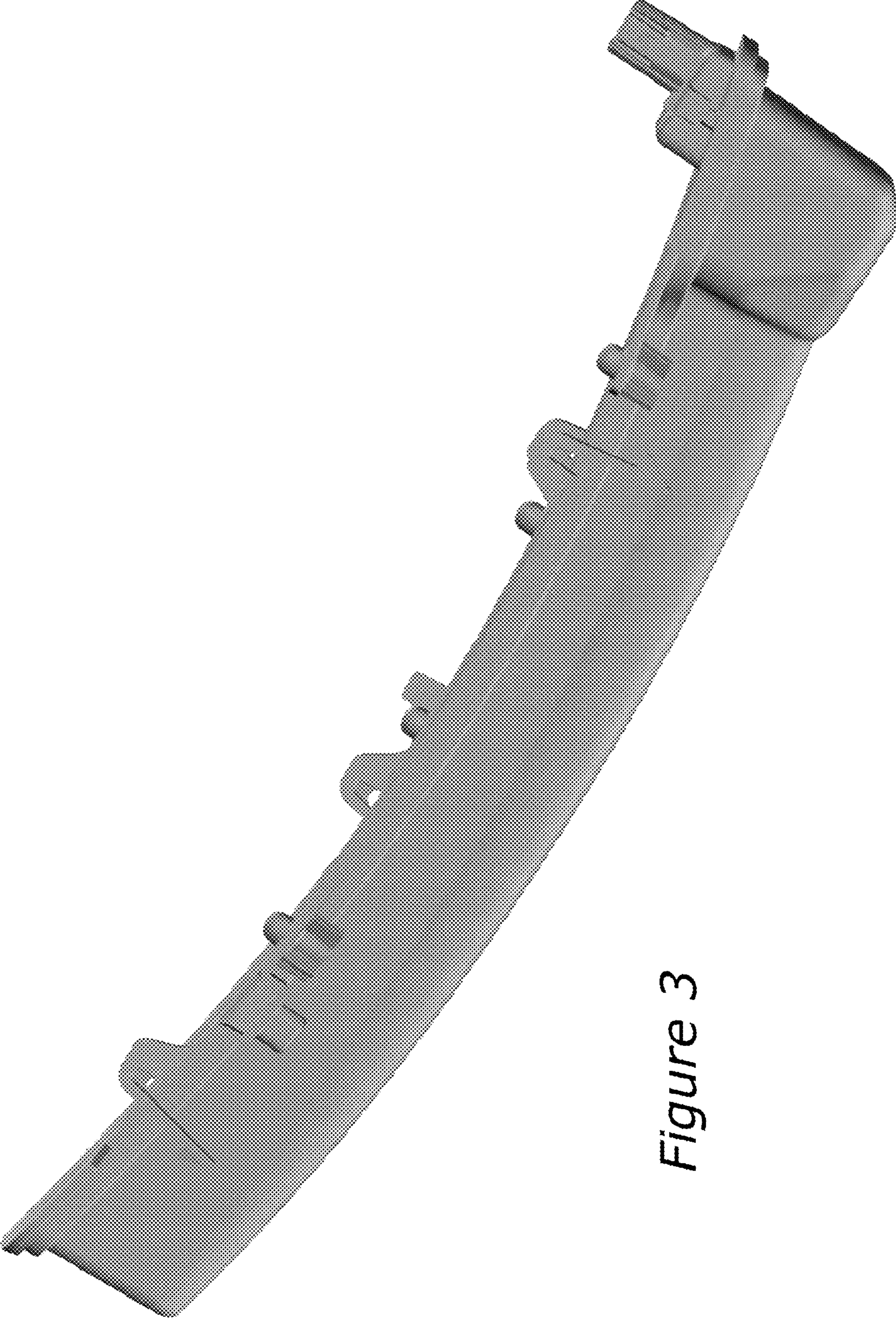


Figure 3

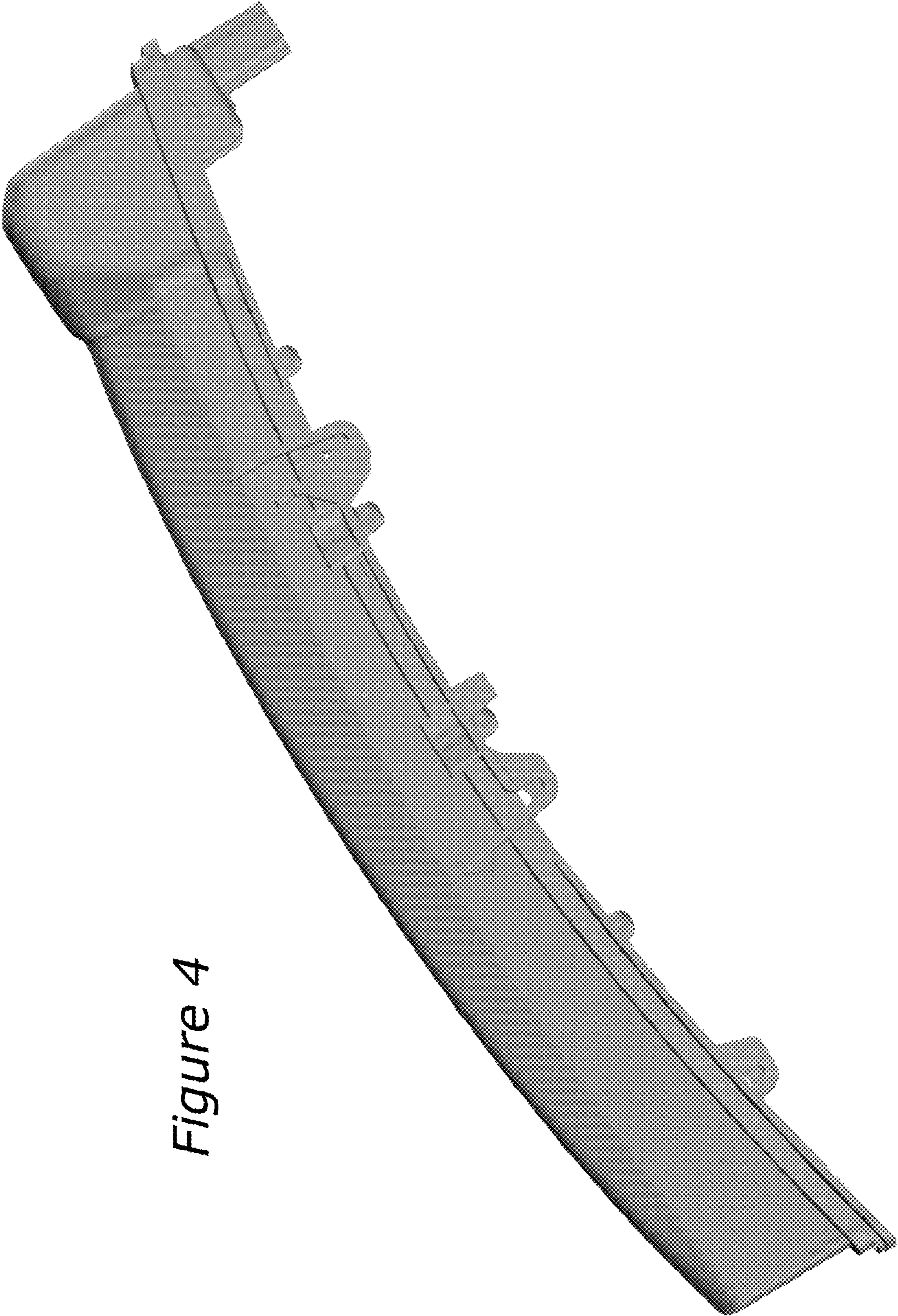


Figure 4

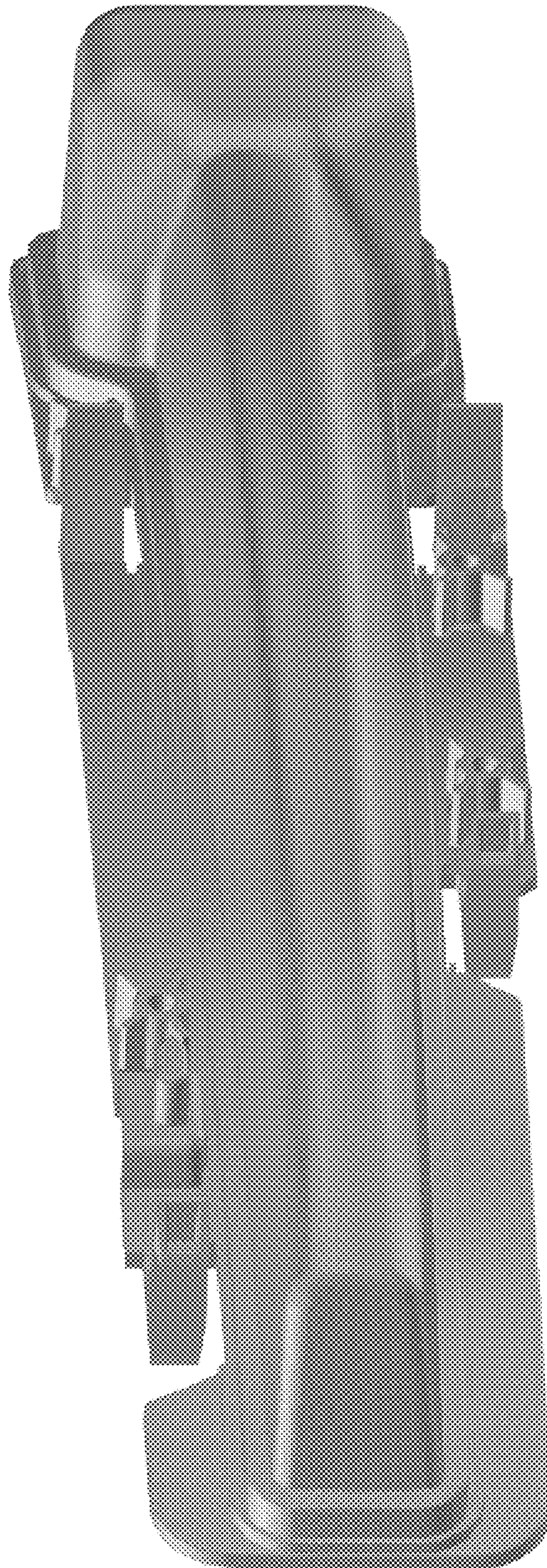


Figure 5

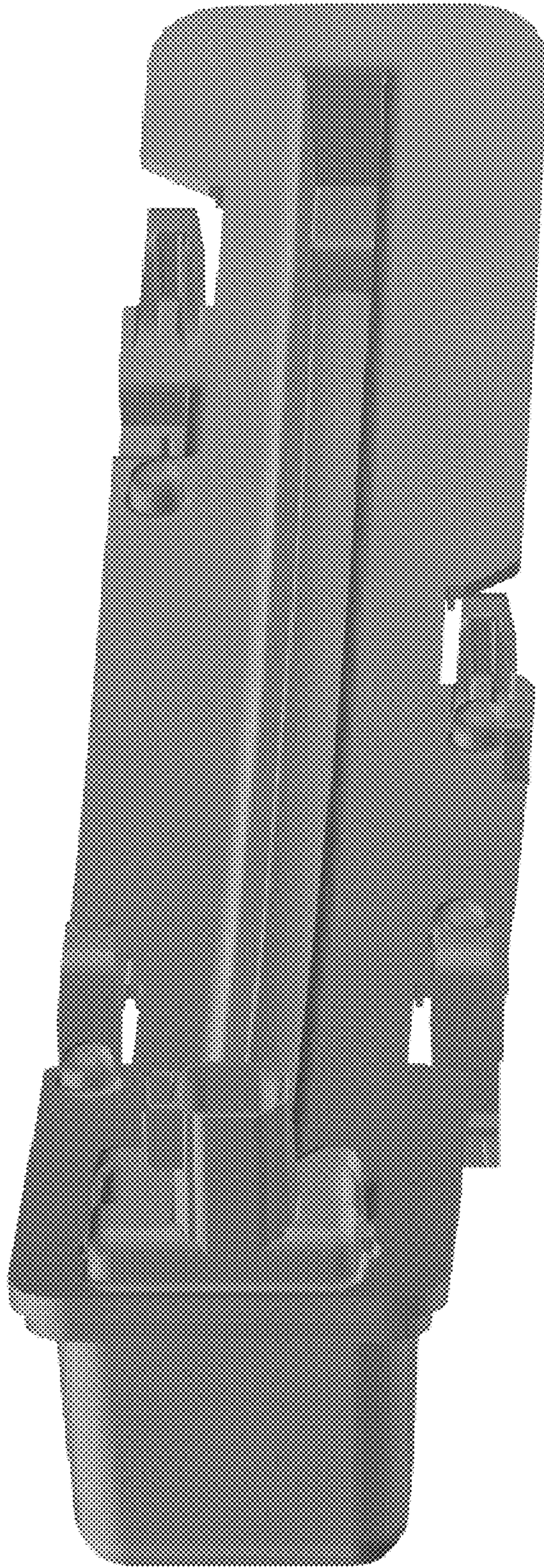


Figure 6