



US00D642709S

(12) **United States Design Patent**
Kang

(10) **Patent No.:** **US D642,709 S**

(45) **Date of Patent:** **** Aug. 2, 2011**

(54) **NIGHT LIGHT DEVICE**

(75) **Inventor:** **Donwoong Kang**, Camillus, NY (US)

(73) **Assignee:** **Eveready Battery Company, Inc.**, St. Louis, MO (US)

(**) **Term:** **14 Years**

(21) **Appl. No.:** **29/382,679**

(22) **Filed:** **Jan. 6, 2011**

(51) **LOC (9) Cl.** **26-05**

(52) **U.S. Cl.** **D26/26**

(58) **Field of Classification Search** D26/26,
D26/24, 37, 38, 57, 73, 94, 98, 101; D10/110,
D10/114; D22/120, 122, 123; D21/315,
D21/318, 650, 712, 713, 780, 788; D11/119,
D11/137, 139, 144, 162; 362/640, 641, 642,
362/643, 644, 652, 653, 657, 658, 659, 563,
362/567, 122, 124, 183, 805, 806

See application file for complete search history.

(56) **References Cited**

U.S. PATENT DOCUMENTS

4,343,032	A	8/1982	Schwartz
D287,408	S	12/1986	Gaines
D288,967	S	3/1987	Naft
D291,125	S	7/1987	Fenne
D303,717	S	9/1989	Korte
D323,898	S	2/1992	Schwartz
D343,015	S	1/1994	Yuen
D347,288	S	5/1994	Ham
D348,111	S	6/1994	Yuen
D359,575	S	6/1995	How et al.
D376,214	S	12/1996	Pinchuk
D393,912	S	4/1998	Yuen
D401,367	S	11/1998	DeLay
D403,786	S	1/1999	Lai
D409,317	S	5/1999	Yuen
D417,923	S	12/1999	Chiu

D425,222	S	5/2000	Yuen	
D426,328	S	6/2000	Yuen	
D426,658	S *	6/2000	Yuen	D26/26
D426,904	S	6/2000	Simon	
D430,945	S *	9/2000	Ham	D26/26
D431,660	S *	10/2000	Yuen	D26/26
D434,863	S *	12/2000	Boessel	D26/26
D444,248	S *	6/2001	Boessel	D26/26
6,250,773	B1	6/2001	Lai	
D449,700	S *	10/2001	Liu et al.	D26/26
D452,336	S *	12/2001	Liu et al.	D26/26
D457,667	S *	5/2002	Pieprgras et al.	D26/26
6,527,400	B2	3/2003	Dickie et al.	
D476,428	S	6/2003	Stekelenburg	
D496,476	S	9/2004	Garrity et al.	

(Continued)

FOREIGN PATENT DOCUMENTS

CN 2867086 Y 2/2007

(Continued)

Primary Examiner — Angela J Lee

(74) *Attorney, Agent, or Firm* — Michael C. Pophal

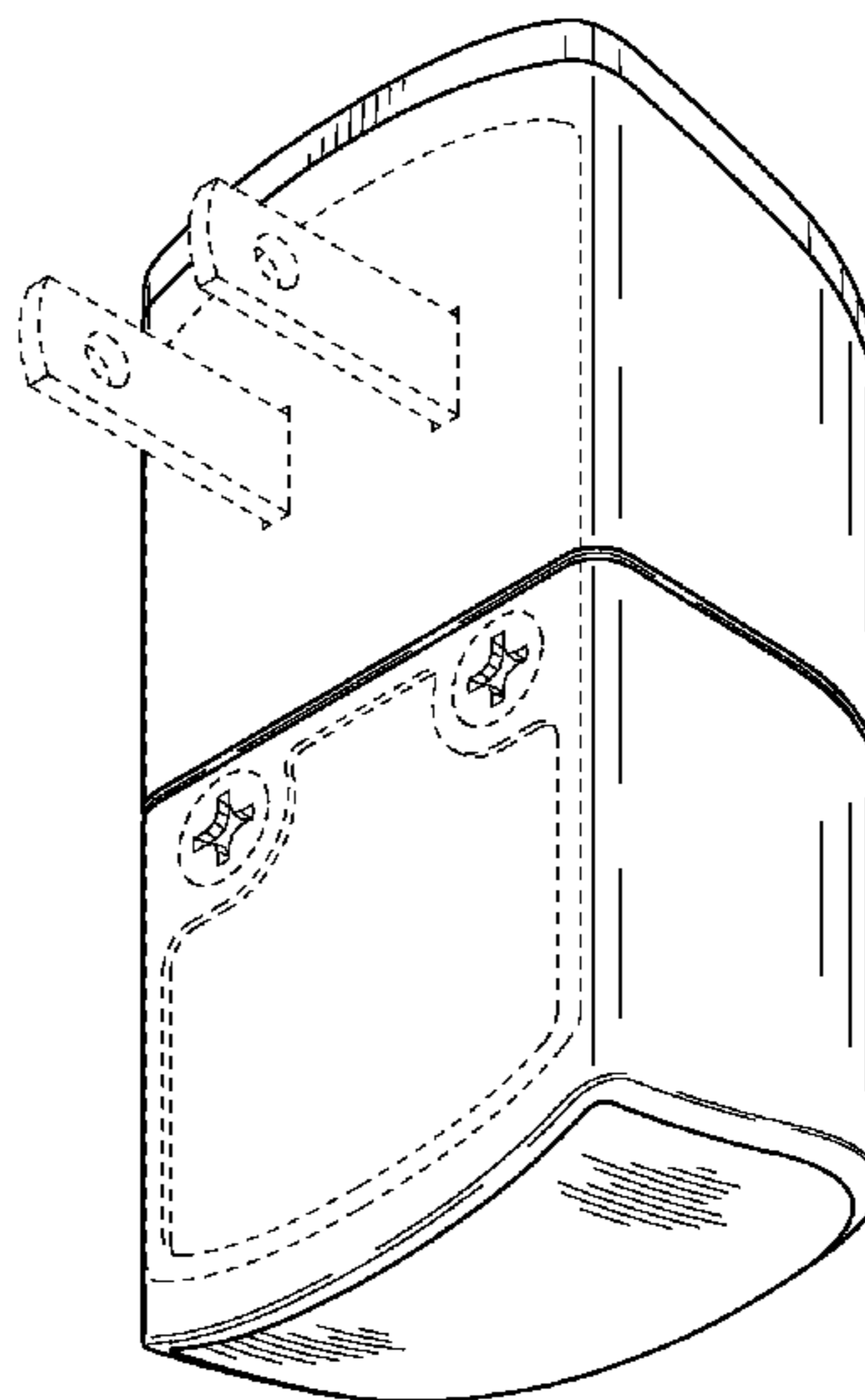
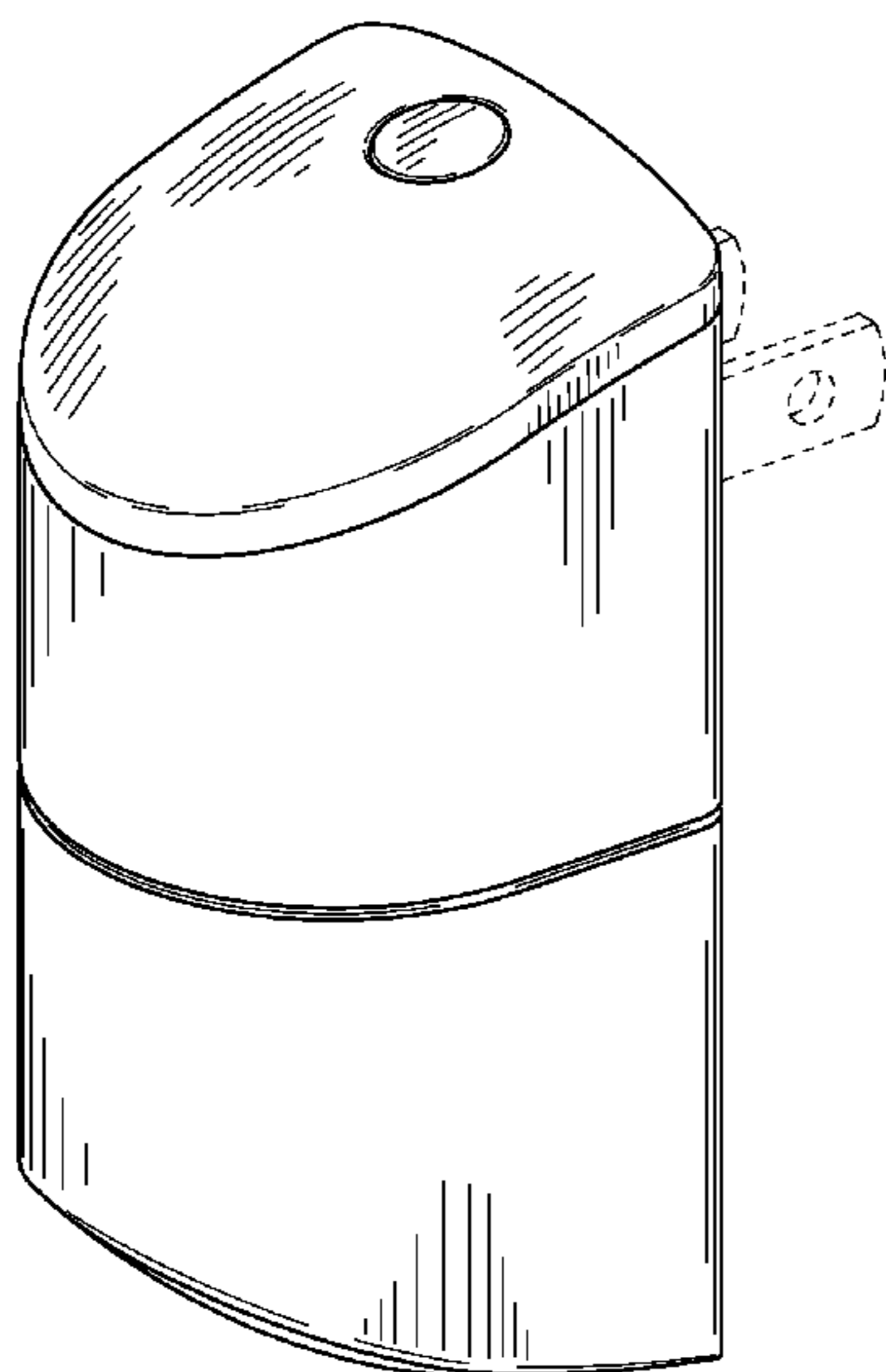
(57) **CLAIM**

I claim the ornamental design for a night light device, as shown and described.

DESCRIPTION

FIG. 1 is a front perspective view of the design.
FIG. 2 is a rear perspective view of the design.
FIG. 3 is a front view of the design.
FIG. 4 is a rear view of the design.
FIG. 5 is a right side view of the design. The left side view is a mirror image of the right side view.
FIG. 6 is a top view of the design; and,
FIG. 7 is a bottom view of the design.
The portions of the night light device shown in broken lines form no part of the claimed design.

1 Claim, 3 Drawing Sheets



US D642,709 S

Page 2

U.S. PATENT DOCUMENTS

D498,009 S 11/2004 Donnelly et al.
D498,857 S 11/2004 Smith et al.
D524,458 S 7/2006 Chan
D524,956 S * 7/2006 Chan D26/26
D545,979 S 7/2007 Molenaar et al.
D567,430 S * 4/2008 Kingston et al. D26/104
7,419,294 B2 9/2008 Lai

D618,830 S 6/2010 Choi
D622,424 S * 8/2010 Smith D26/26
2006/0221617 A1 10/2006 Chien

FOREIGN PATENT DOCUMENTS

CN 201196397 Y 2/2009
CN 201273553 Y 7/2009

* cited by examiner

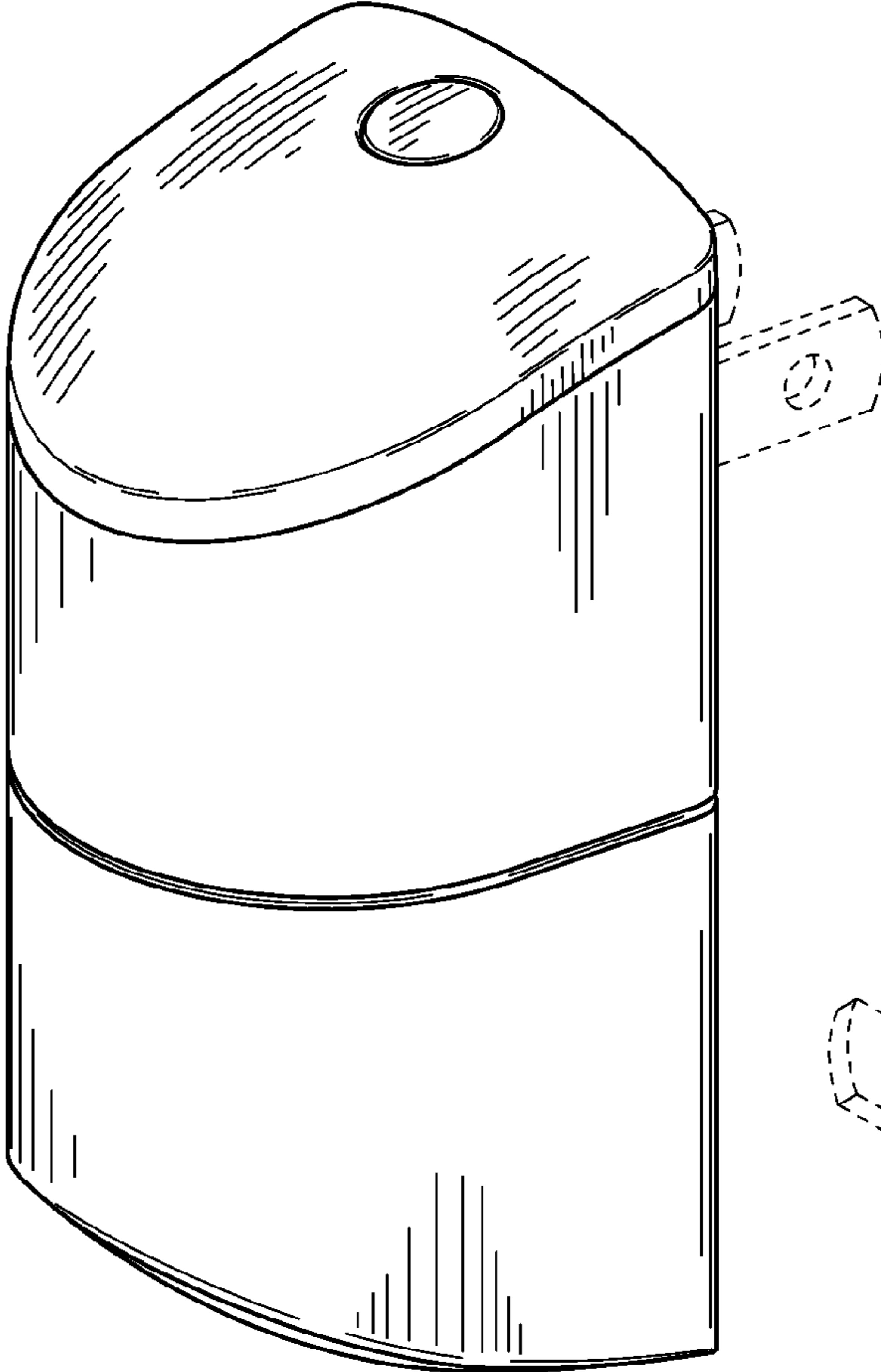


Fig. 1

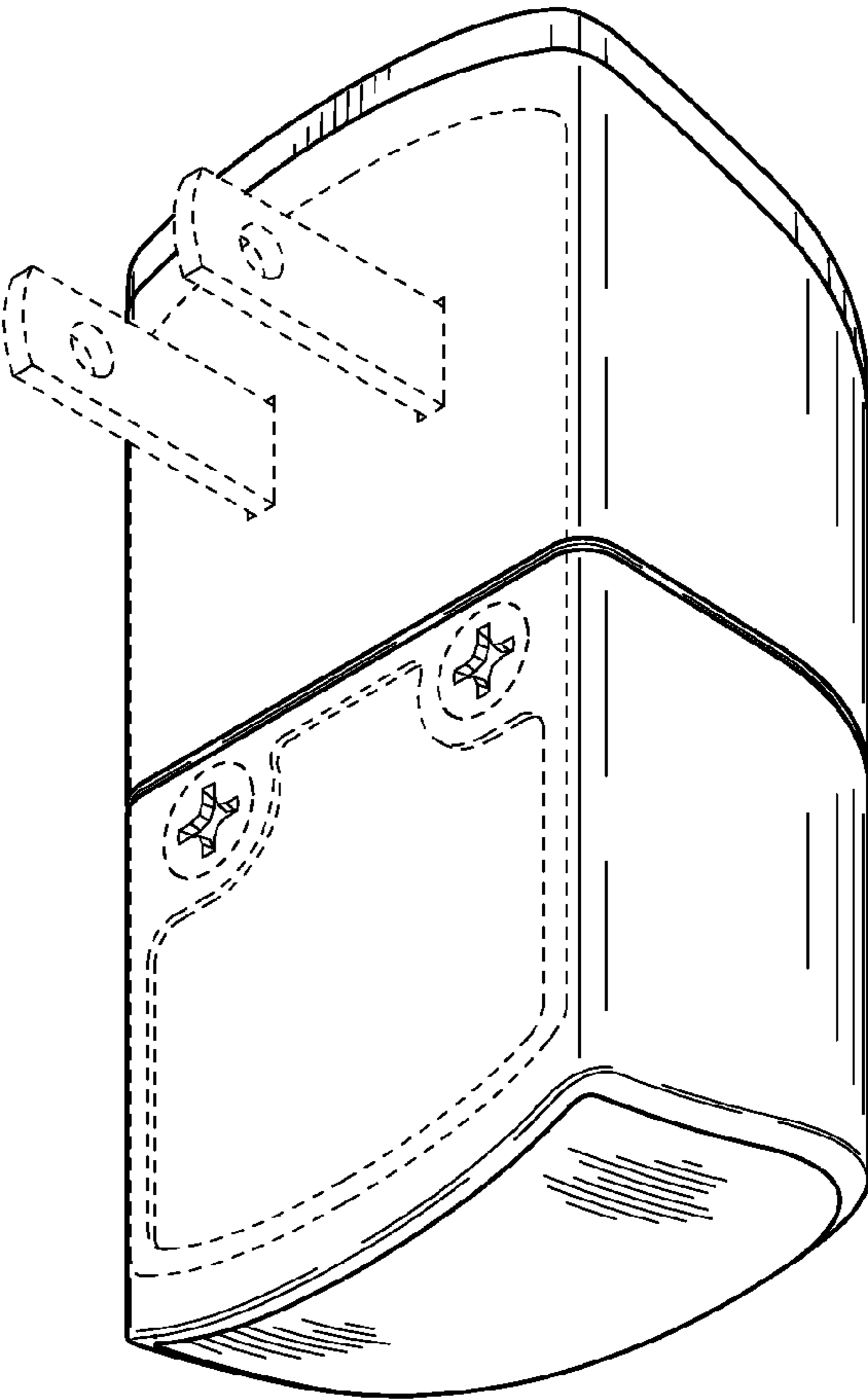


Fig. 2

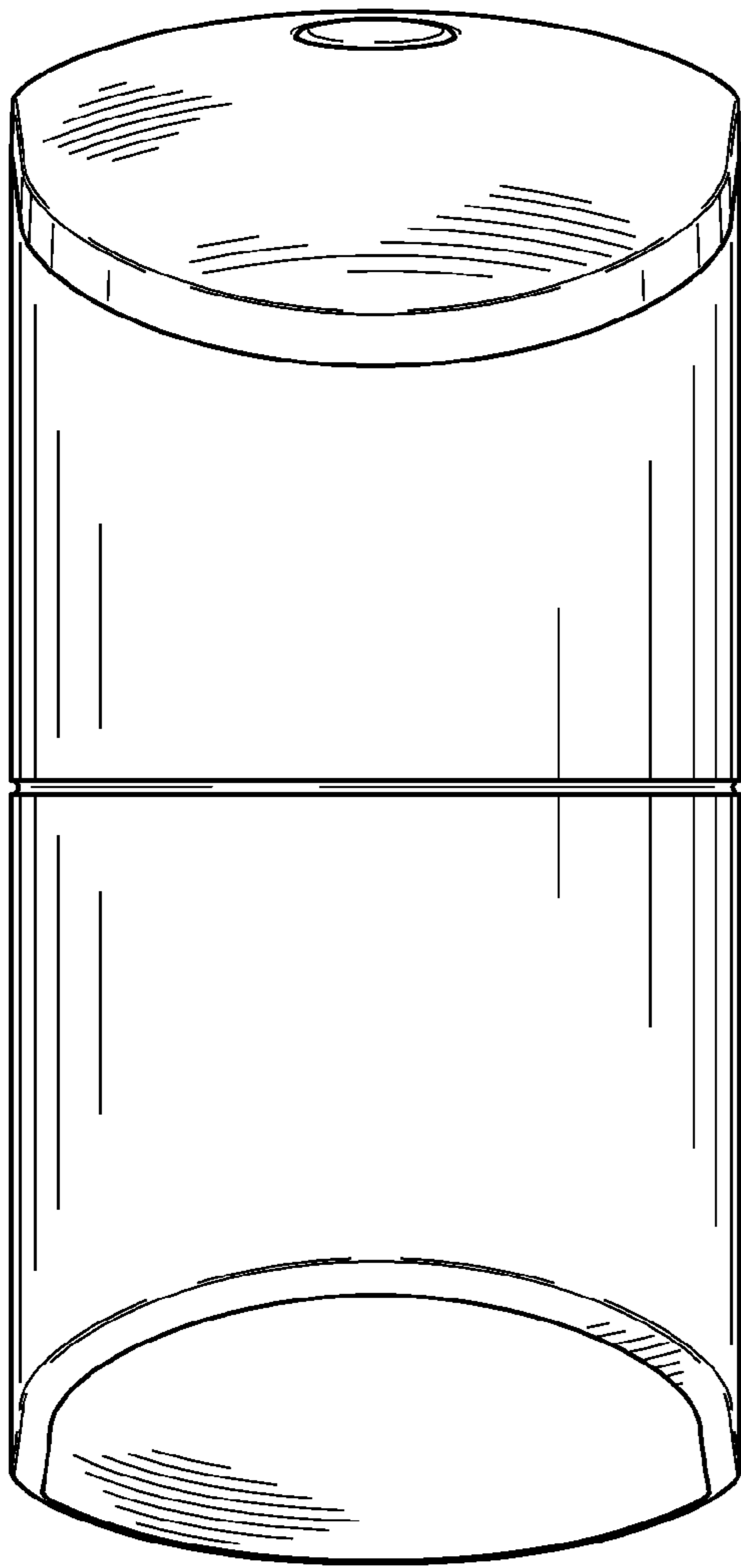


Fig. 3

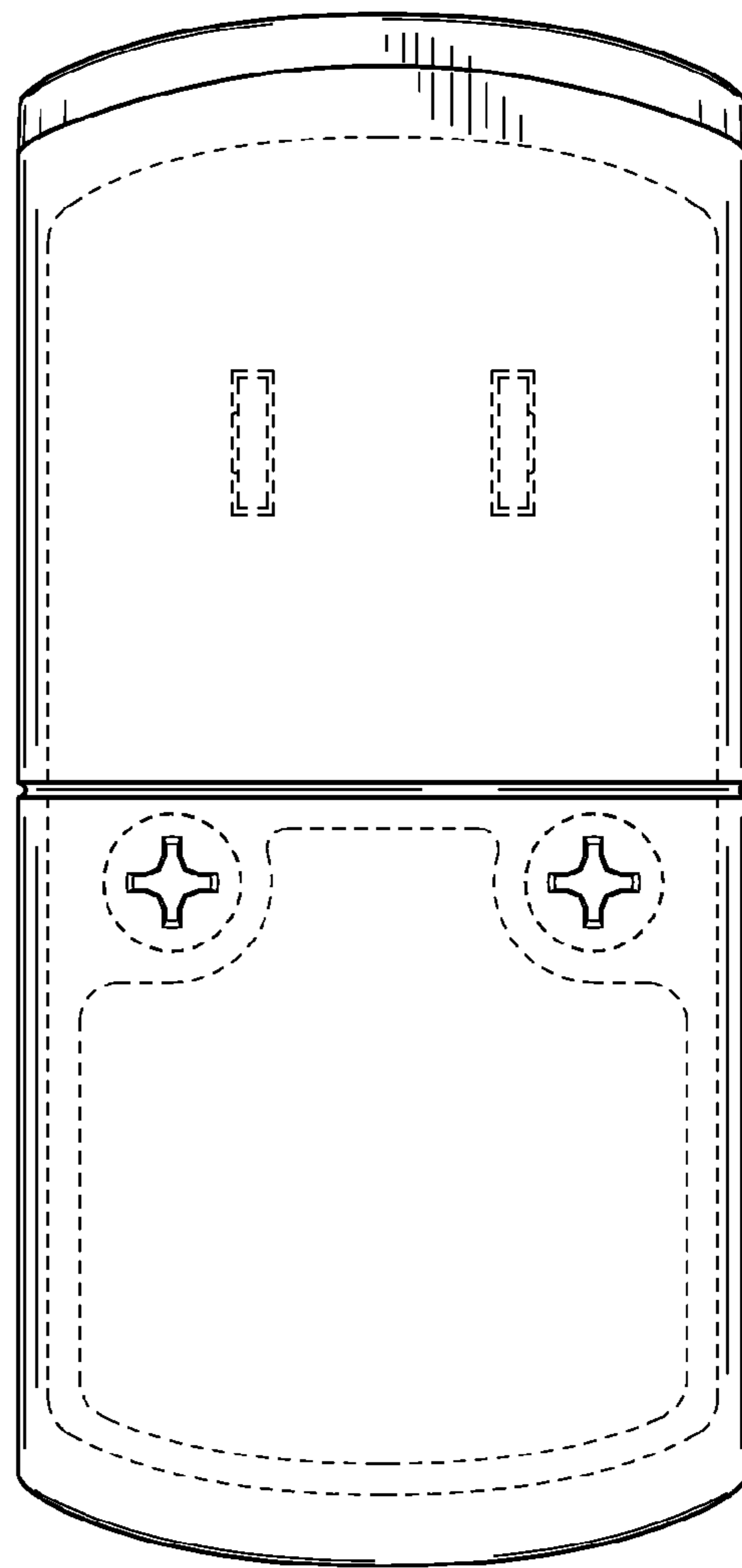


Fig. 4

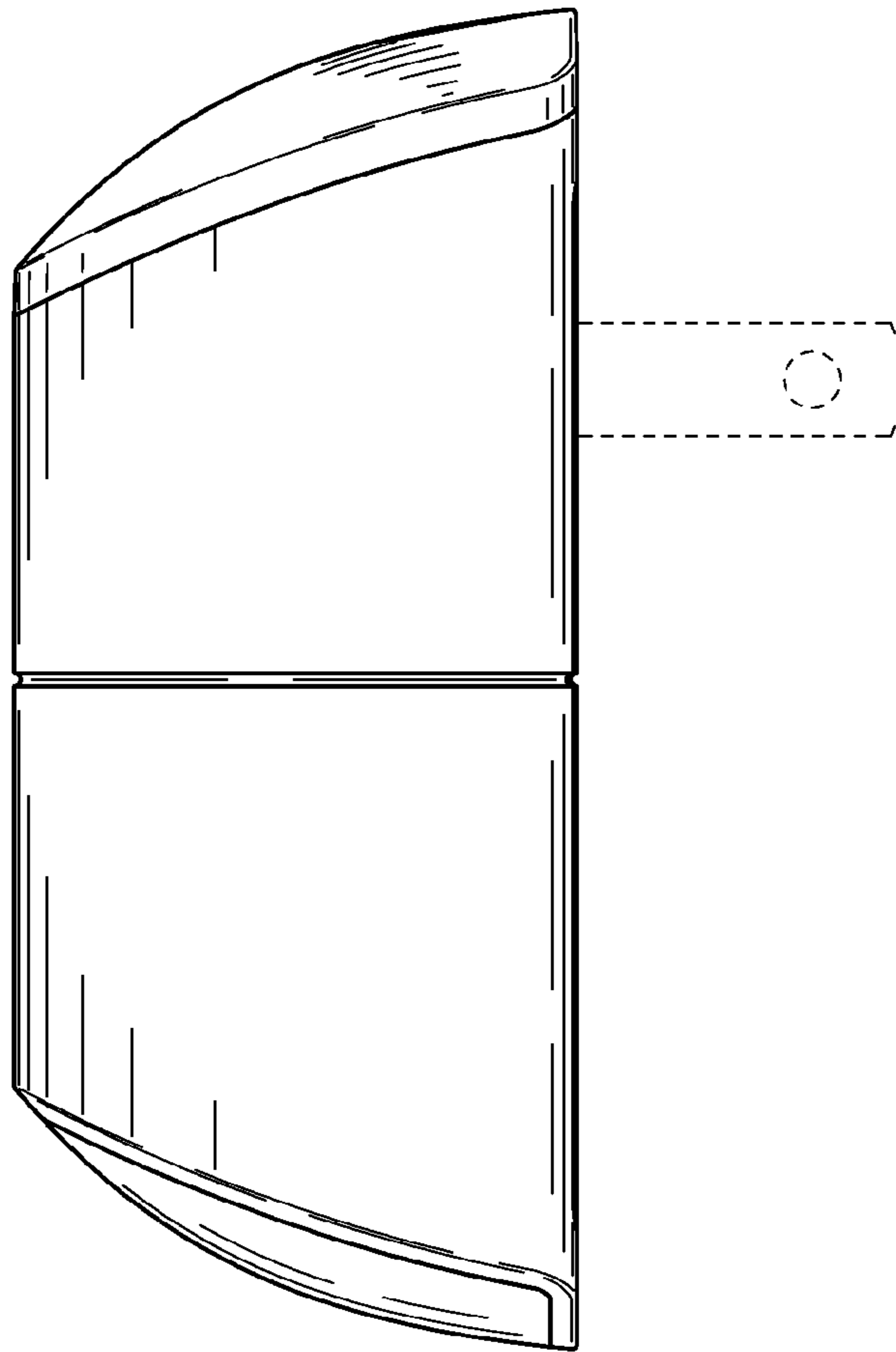


Fig. 5

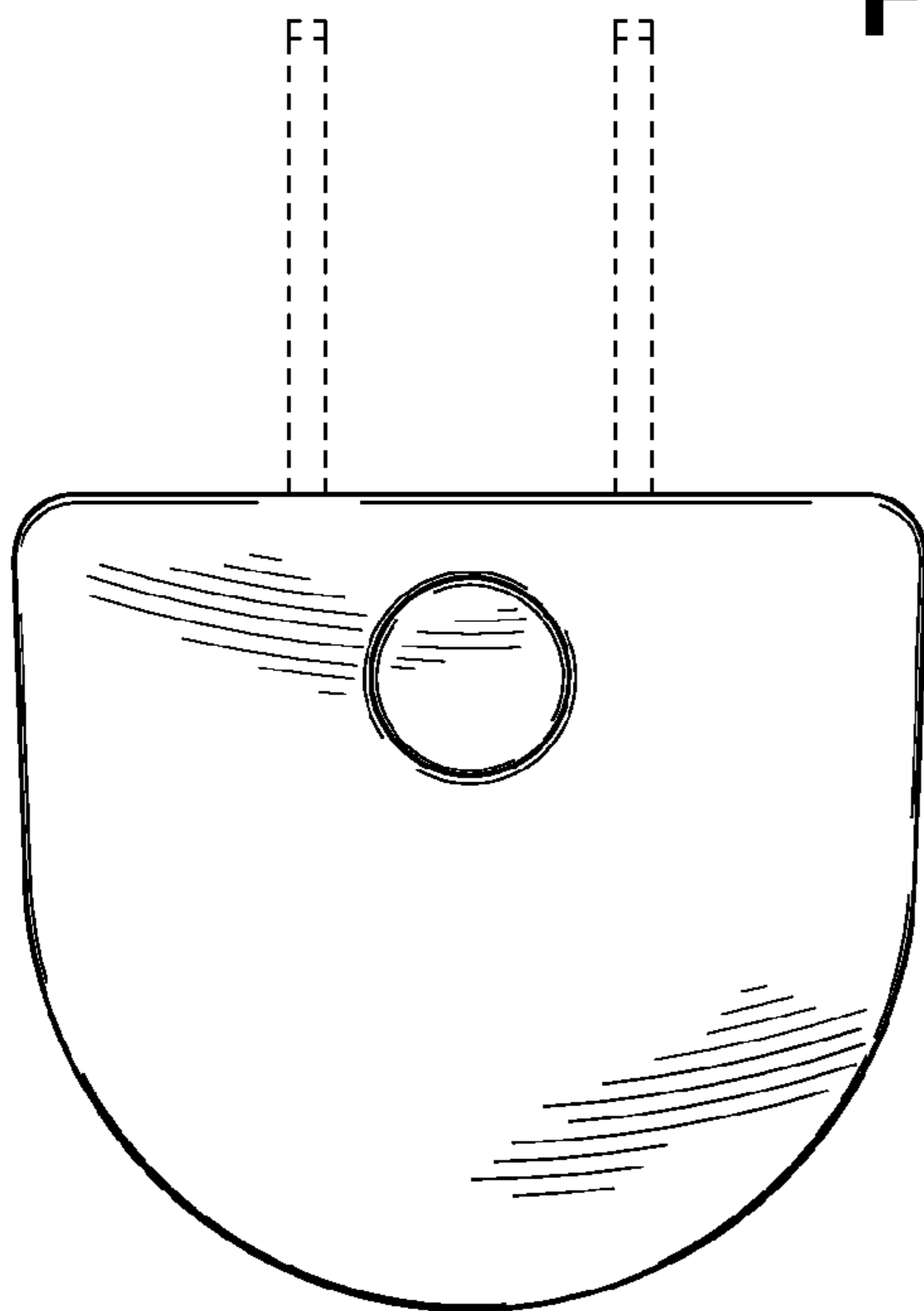


Fig. 6

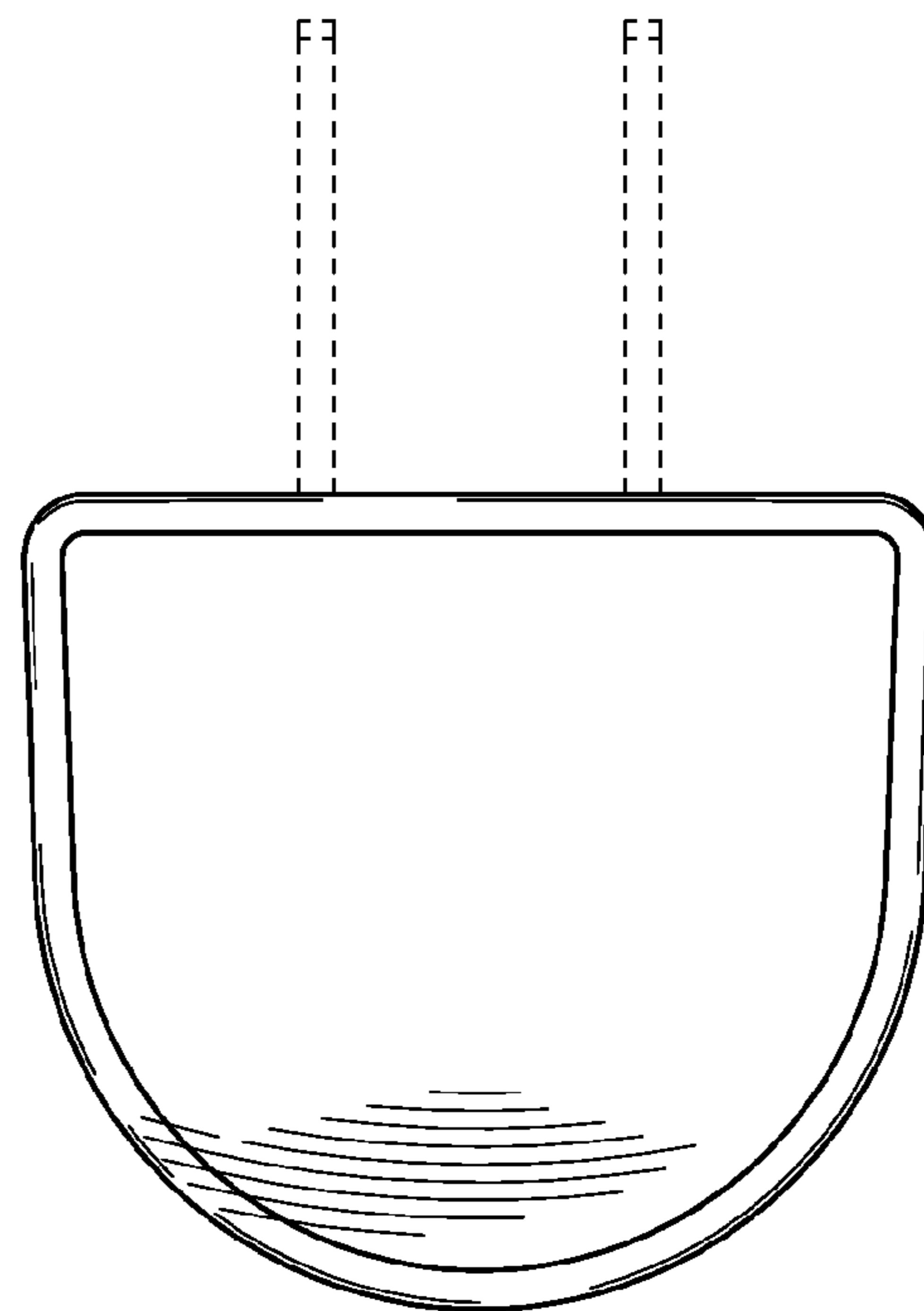


Fig. 7