



US00D642708S

(12) **United States Design Patent**
Kaule et al.

(10) **Patent No.:** **US D642,708 S**

(45) **Date of Patent:** **** Aug. 2, 2011**

(54) **WALL LIGHT DEVICE**

(75) Inventors: **Brian M. Kaule**, Cicero, NY (US);
Scott W. Osiecki, Skaneateles, NY (US)

(73) Assignee: **Eveready Battery Company, Inc.**, St.
Louis, MO (US)

(**) Term: **14 Years**

(21) Appl. No.: **29/382,677**

(22) Filed: **Jan. 6, 2011**

(51) **LOC (9) Cl.** **26-05**

(52) **U.S. Cl.** **D26/26**

(58) **Field of Classification Search** D26/26,
D26/24, 37, 38, 57, 73, 94, 98, 101; D10/110,
D10/114; D22/120, 122, 123; D21/315,
D21/318, 650, 712, 713, 780, 788; D11/119,
D11/137, 139, 144, 162; 362/640, 641, 642,
362/643, 644, 652, 653, 657, 658, 659, 563,
362/567, 122, 124, 183, 805, 806

See application file for complete search history.

(56) **References Cited**

U.S. PATENT DOCUMENTS

4,343,032 A	8/1982	Schwartz
D287,408 S	12/1986	Gaines
D288,967 S	3/1987	Naft
D291,125 S	7/1987	Fenne
D303,717 S	9/1989	Korte
D323,898 S	2/1992	Schwartz
D343,015 S	1/1994	Yuen
D347,288 S	5/1994	Ham
D348,111 S	6/1994	Yuen
D359,575 S	6/1995	How et al.
D376,214 S	12/1996	Pinchuk
D393,912 S	4/1998	Yuen
D401,367 S	11/1998	DeLay
D403,786 S	1/1999	Lai
D409,317 S	5/1999	Yuen

D417,923 S	12/1999	Chiu	
D425,222 S	5/2000	Yuen	
D426,328 S	6/2000	Yuen	
D426,904 S *	6/2000	Simon	D26/26
D429,352 S *	8/2000	Weinstein	D26/26
D429,829 S *	8/2000	Doran	D26/26
D430,945 S	9/2000	Ham	
D431,660 S	10/2000	Yuen	
D434,863 S *	12/2000	Boessel	D26/26
6,250,773 B1	6/2001	Lai	
D449,700 S *	10/2001	Liu et al.	D26/26
6,527,400 B2	3/2003	Dickie et al.	
D476,428 S	6/2003	Stekelenburg	
D496,476 S	9/2004	Garrity et al.	
D498,009 S	11/2004	Donnelly et al.	

(Continued)

FOREIGN PATENT DOCUMENTS

CN 2867086 Y 2/2007

(Continued)

Primary Examiner — Angela Lee

(74) *Attorney, Agent, or Firm* — Michael C. Pophal

(57) **CLAIM**

We claim the ornamental design for a wall light device, as shown and described.

DESCRIPTION

FIG. 1 is a front perspective view of the design.

FIG. 2 is a rear perspective view of the design.

FIG. 3 is a front view of the design.

FIG. 4 is a rear view of the design.

FIG. 5 is a right side view of the design.

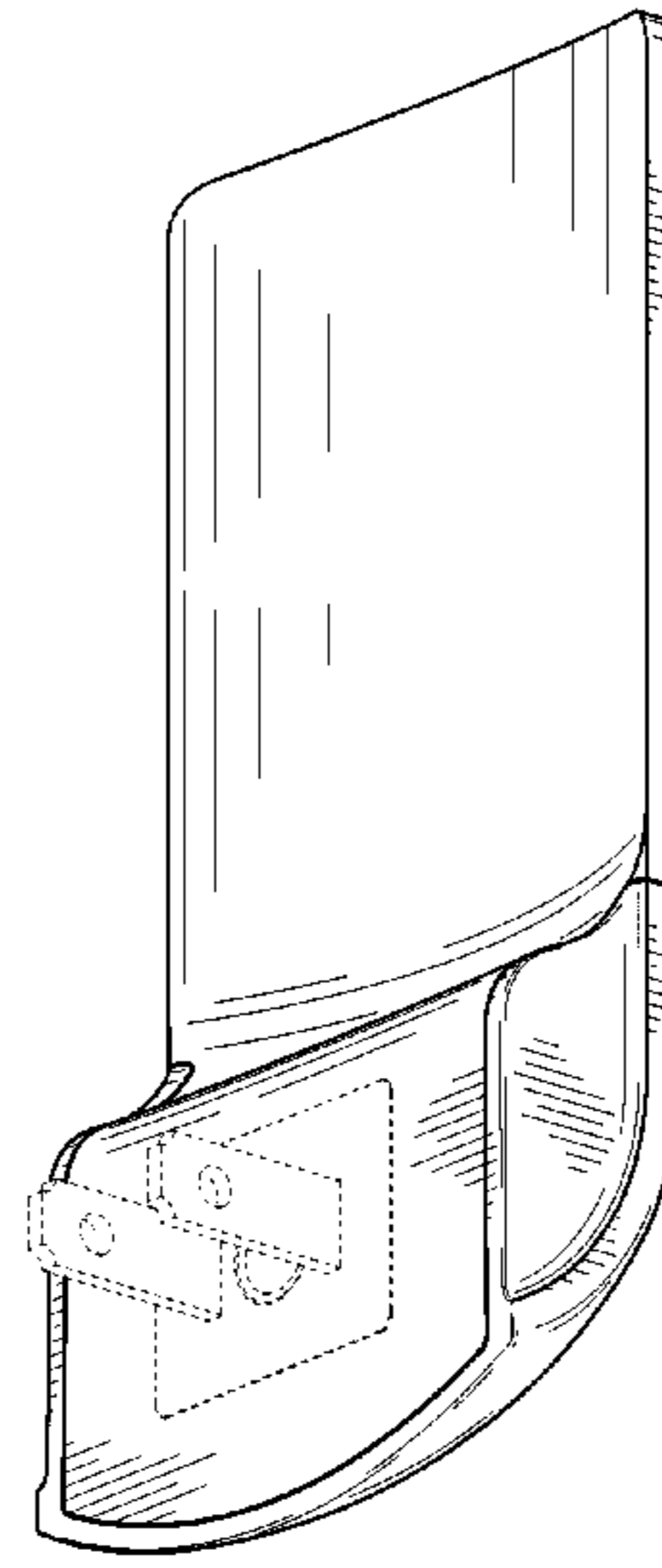
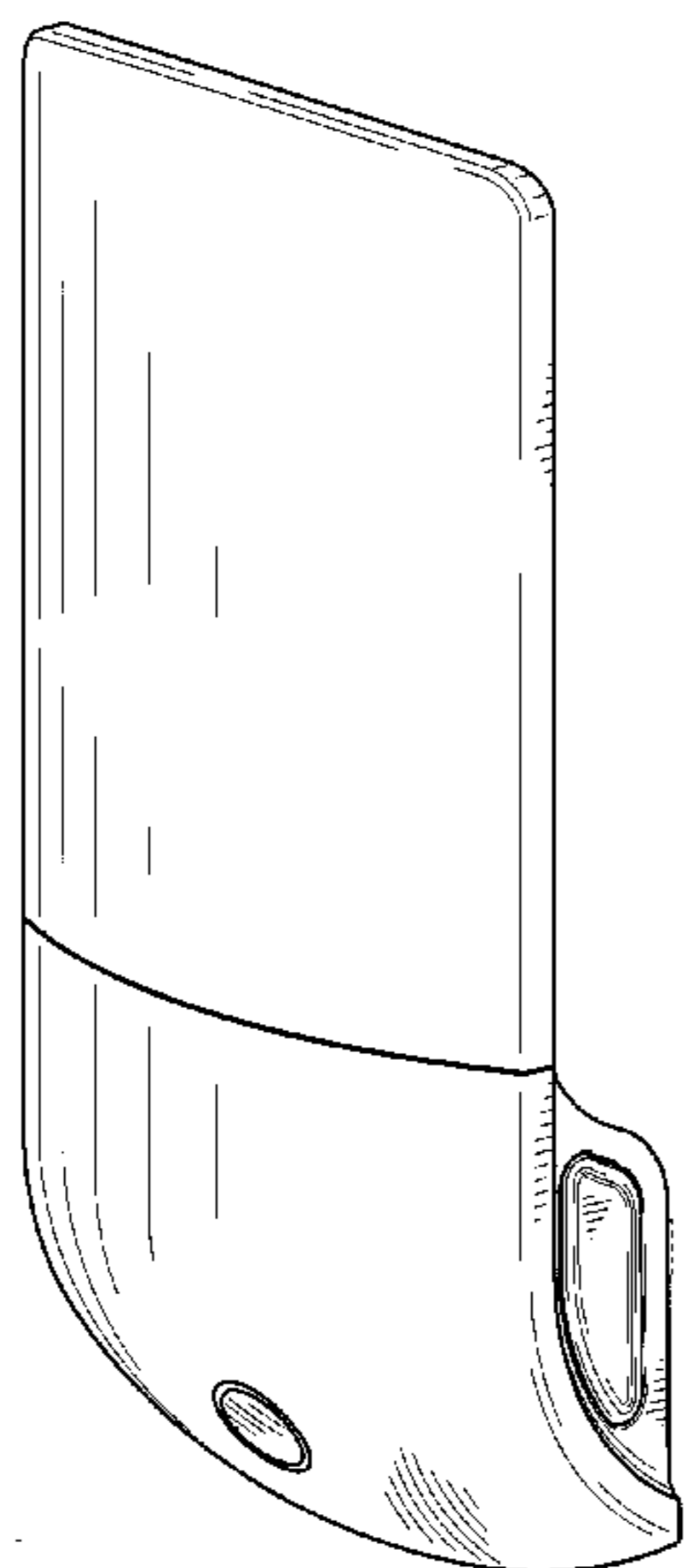
FIG. 6 is a left side view of the design.

FIG. 7 is a top view of the design; and,

FIG. 8 is a bottom view of the design.

The portions of the wall light device shown in broken lines form no part of the claimed design.

1 Claim, 3 Drawing Sheets



US D642,708 S

Page 2

U.S. PATENT DOCUMENTS

D498,857 S 11/2004 Smith et al.
D524,458 S 7/2006 Chan
D524,461 S * 7/2006 Molenaar et al. D26/26
D545,979 S * 7/2007 Molenaar et al. D26/26
7,419,294 B2 9/2008 Lai
D618,830 S 6/2010 Choi

D633,237 S * 2/2011 Wang et al. D26/26
2006/0221617 A1 10/2006 Chien

FOREIGN PATENT DOCUMENTS

CN 201196397 Y 2/2009
CN 201273553 Y 7/2009

* cited by examiner

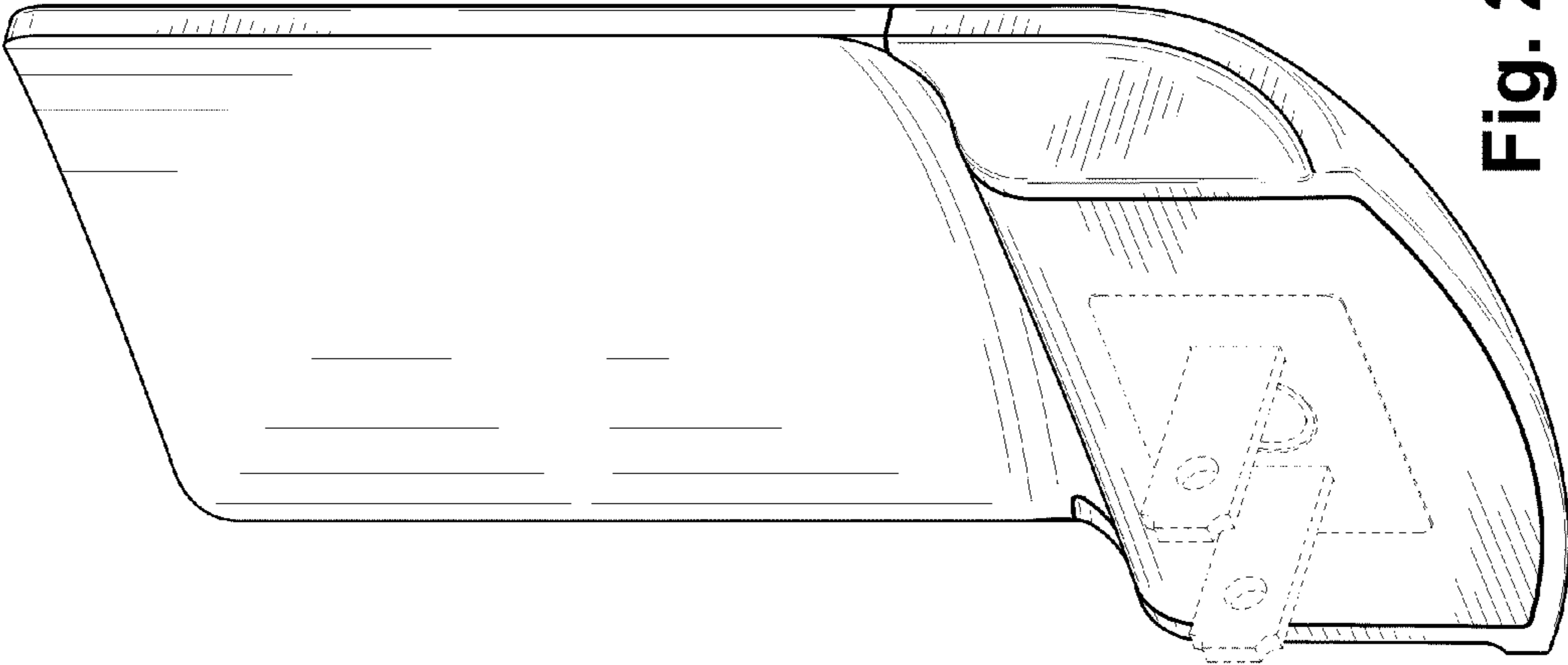


Fig. 2

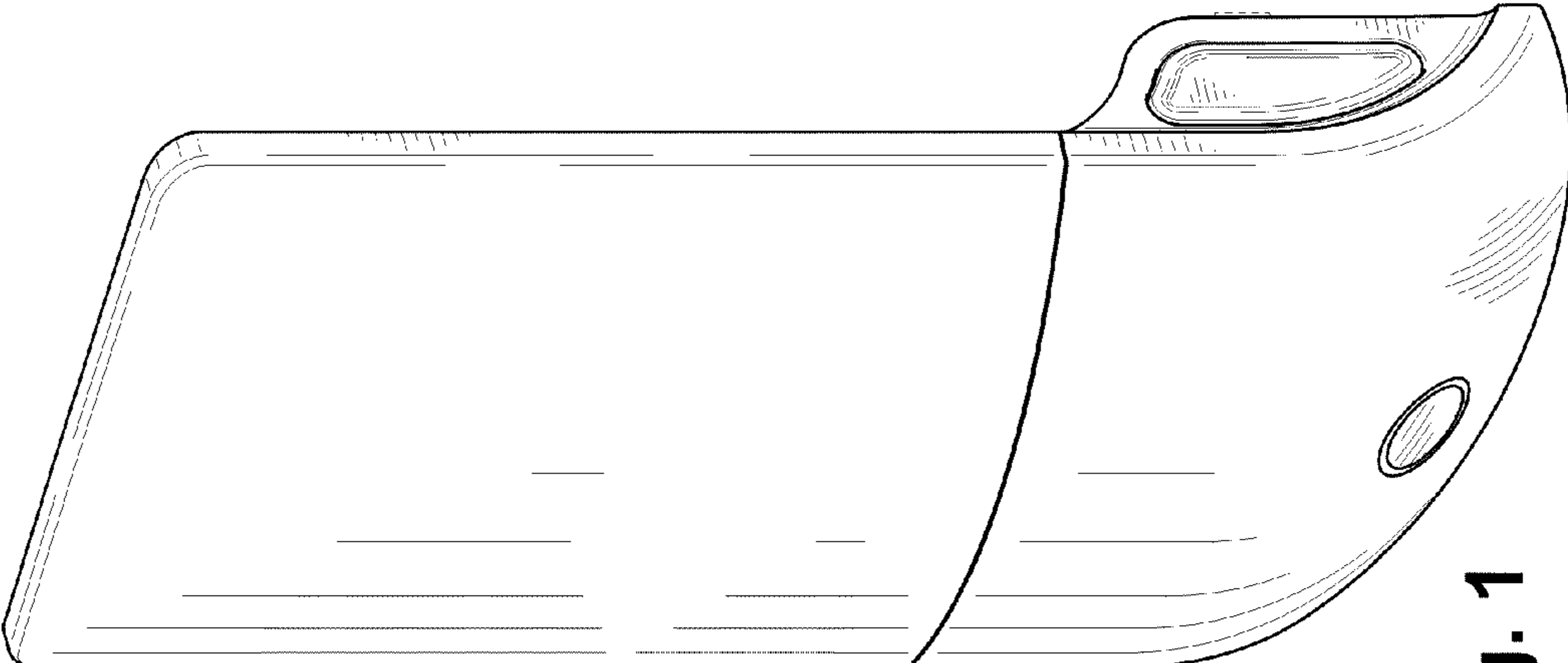


Fig. 1

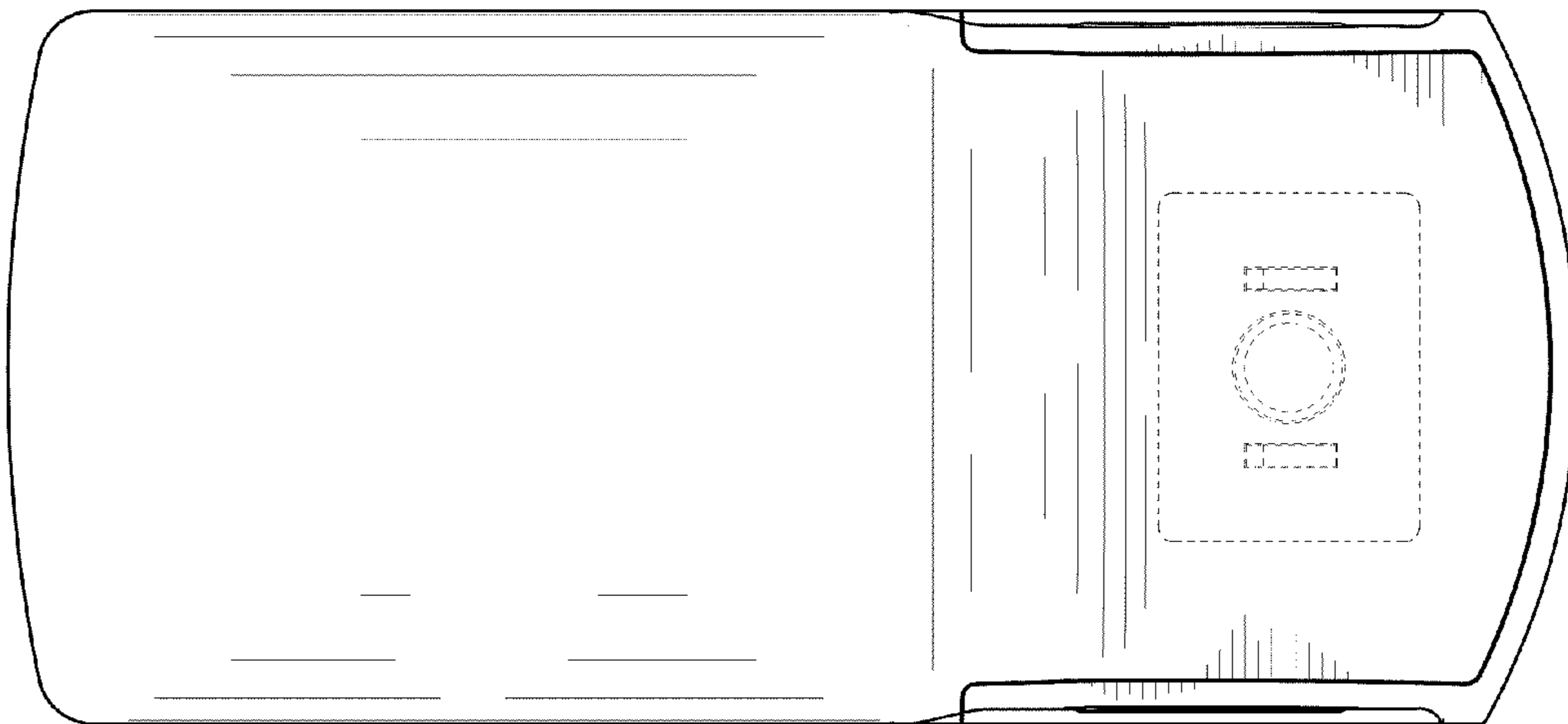


Fig. 4

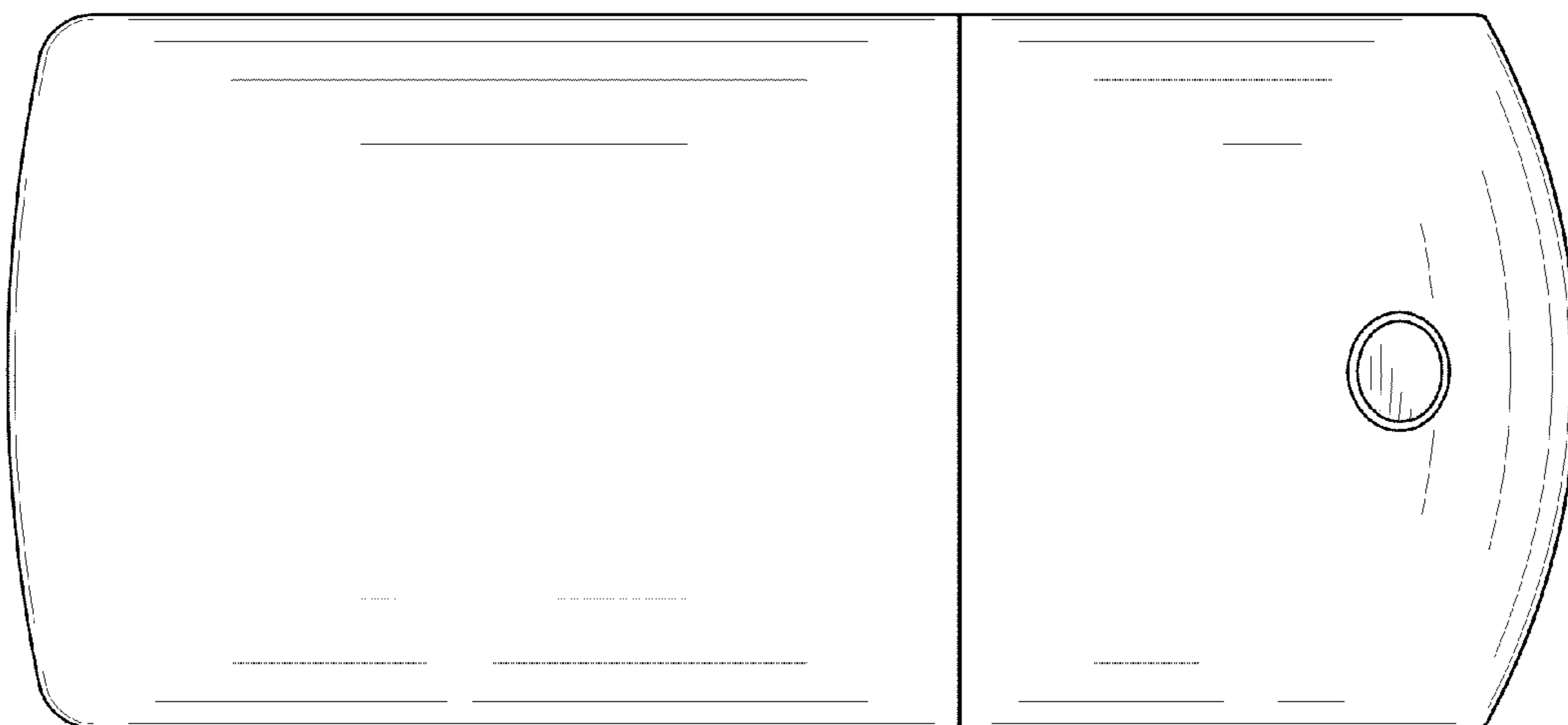


Fig. 3

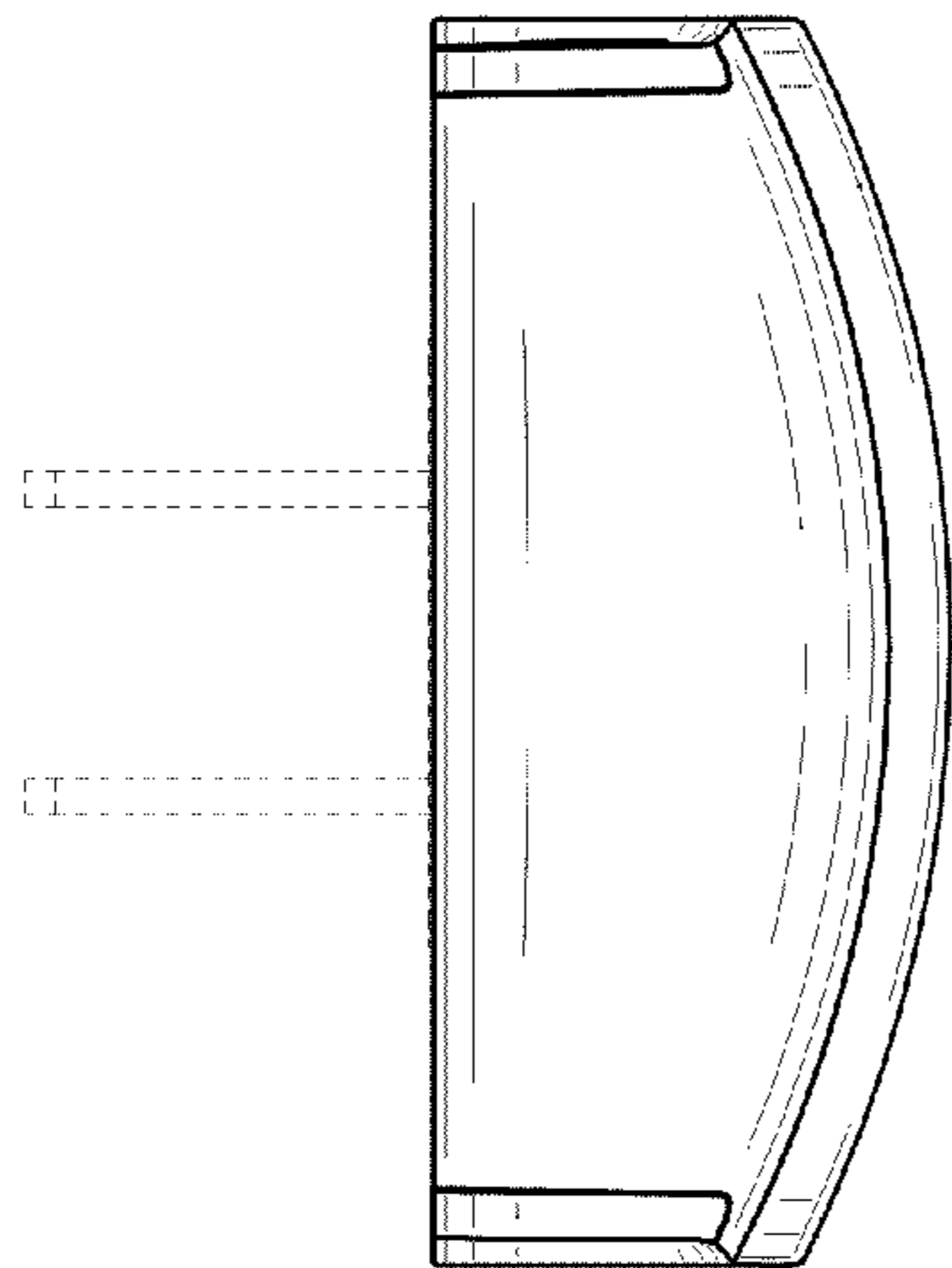
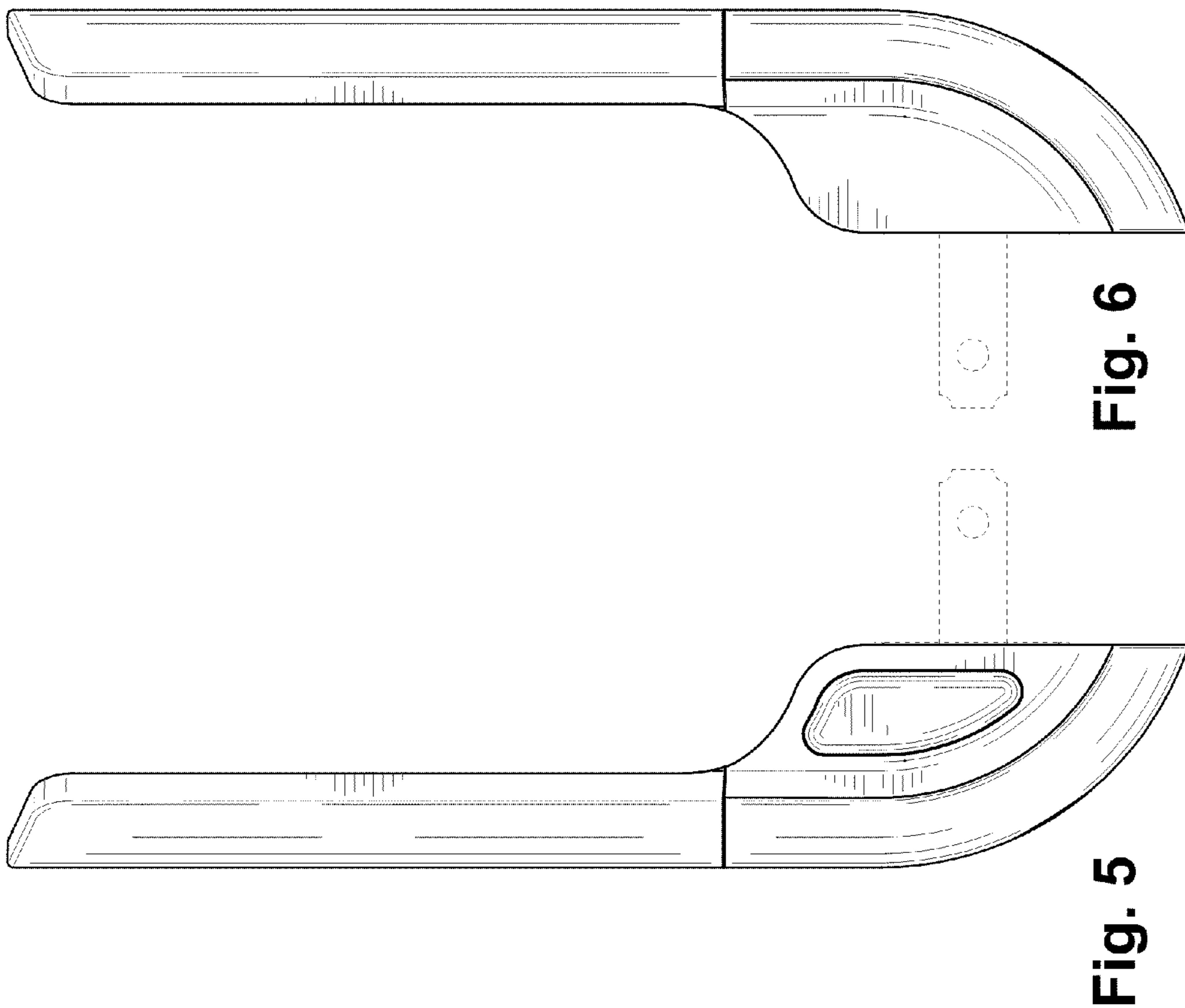


Fig. 7

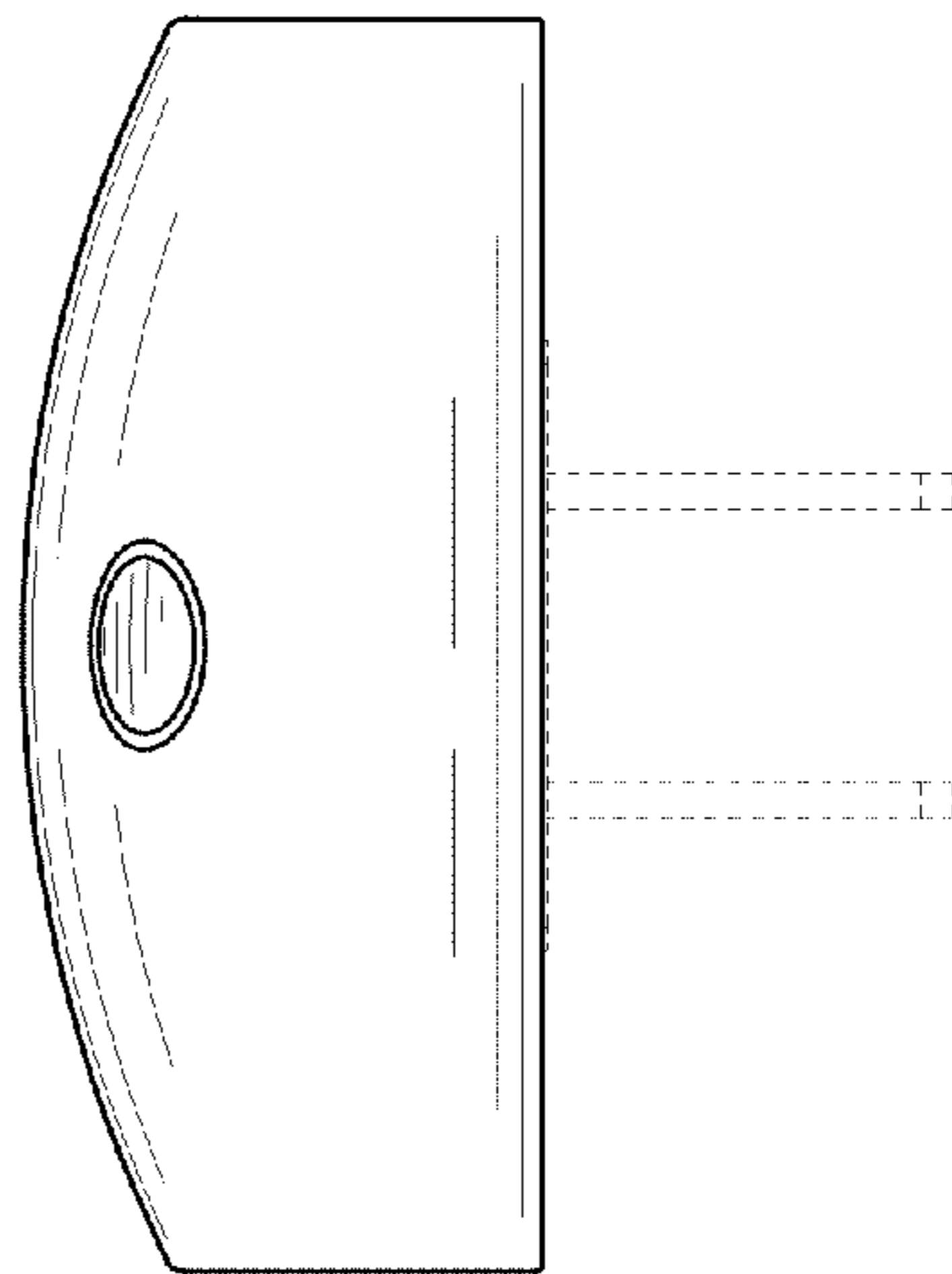


Fig. 8