



US00D642706S

(12) **United States Design Patent**
Chao

(10) **Patent No.:** **US D642,706 S**

(45) **Date of Patent:** **** Aug. 2, 2011**

(54) **SWIVEL NIGHT LIGHT**

(76) Inventor: **Albert Chao**, Saddle River, NJ (US)

(**) Term: **14 Years**

(21) Appl. No.: **29/378,402**

(22) Filed: **Nov. 4, 2010**

(51) **LOC (9) Cl.** **26-04**

(52) **U.S. Cl.** **D26/26; D26/63**

(58) **Field of Classification Search** D26/26,
D26/24, 25, 86, 60-66, 72, 80, 118; D10/111,
D10/114; 362/20, 283, 367, 338, 340, 223,
362/224, 225, 147, 227, 235, 238, 240, 432,
362/640, 641, 427, 277, 282, 285, 311.01,
362/418, 157, 184, 187, 211, 213
See application file for complete search history.

(56) **References Cited**

U.S. PATENT DOCUMENTS

D389,591 S *	1/1998	Blackman et al.	D26/26
D424,721 S *	5/2000	Garrity et al.	D26/26
D430,320 S *	8/2000	Ham	D26/26
D431,873 S *	10/2000	Petterson et al.	D26/26
D432,688 S *	10/2000	Petterson	D26/26
D460,204 S *	7/2002	Giese	D26/26
D507,373 S *	7/2005	Kim	D26/80

D532,918 S *	11/2006	Lay et al.	D26/80
D580,083 S *	11/2008	Sanoner	D26/63
D619,275 S *	7/2010	Pineault et al.	D26/26

* cited by examiner

Primary Examiner — Susan M Lee

Assistant Examiner — Linda G. Brooks

(74) *Attorney, Agent, or Firm* — Notaro, Michalos & Zaccaria P.C.

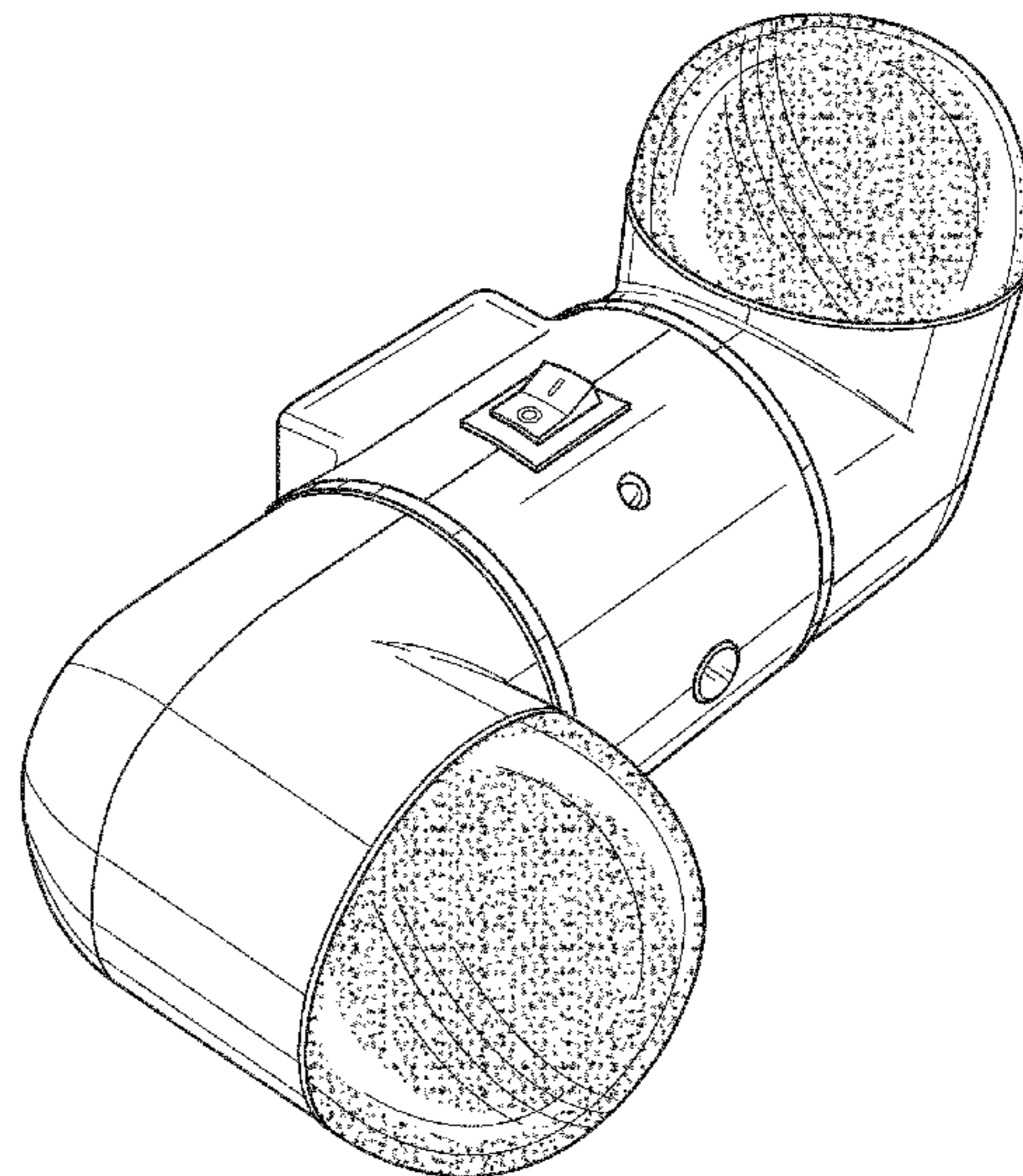
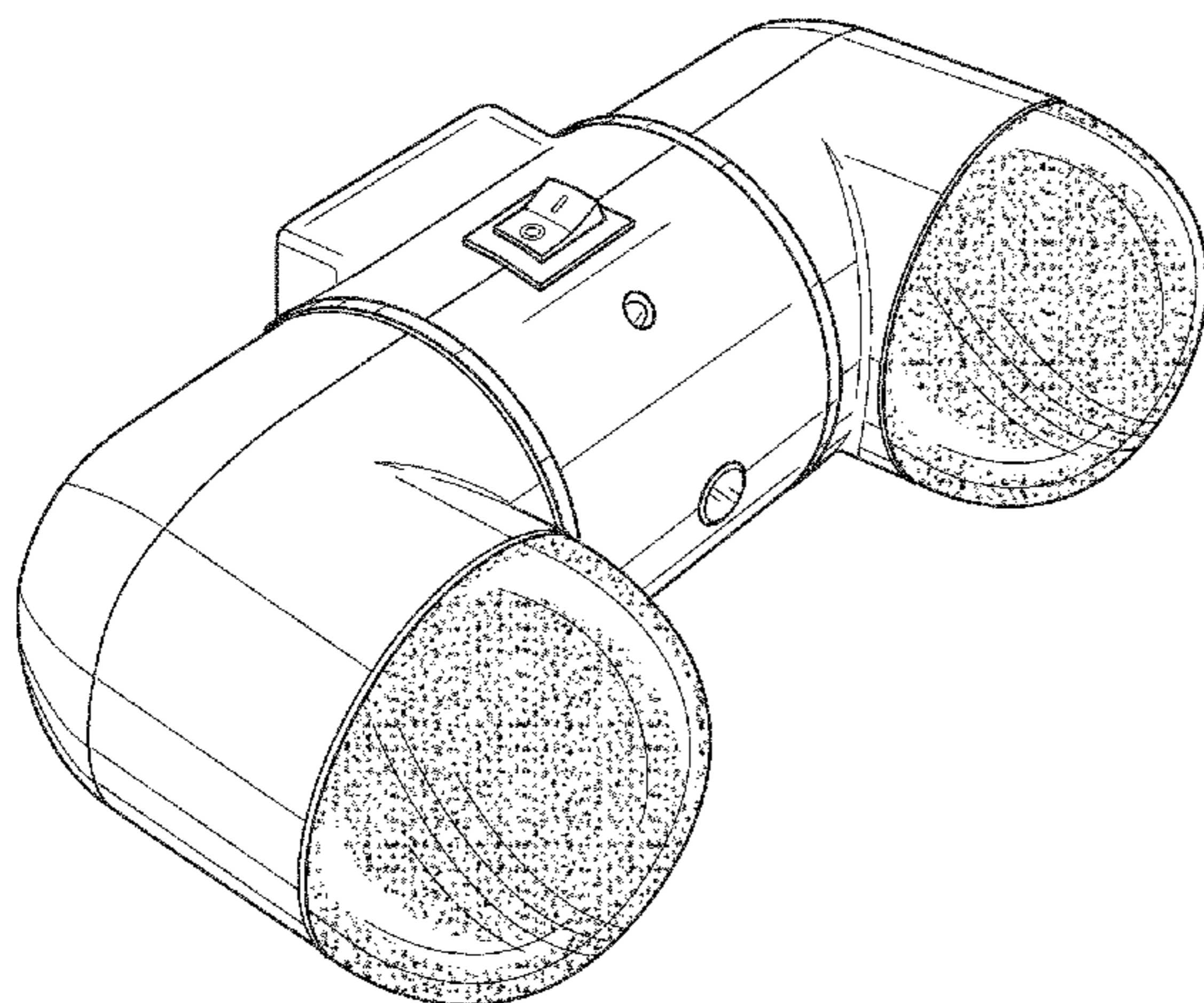
(57) **CLAIM**

The ornamental design for a swivel night light, as shown and described.

DESCRIPTION

FIG. 1 is a top, front, right side perspective view of a swivel night light showing my design in a first swivel position;
FIG. 2 is a top, front, right side perspective view of the swivel night light in a second swivel position;
FIG. 3 is a top, front, left side perspective view of the swivel night light in a third swivel position;
FIG. 4 is a front elevational view of the swivel night light in its first position;
FIG. 5 is a top plan view thereof;
FIG. 6 is a left side elevational view thereof;
FIG. 7 is a right side elevational view thereof;
FIG. 8 is a rear elevational view thereof; and,
FIG. 9 is a bottom plan view thereof.

1 Claim, 7 Drawing Sheets



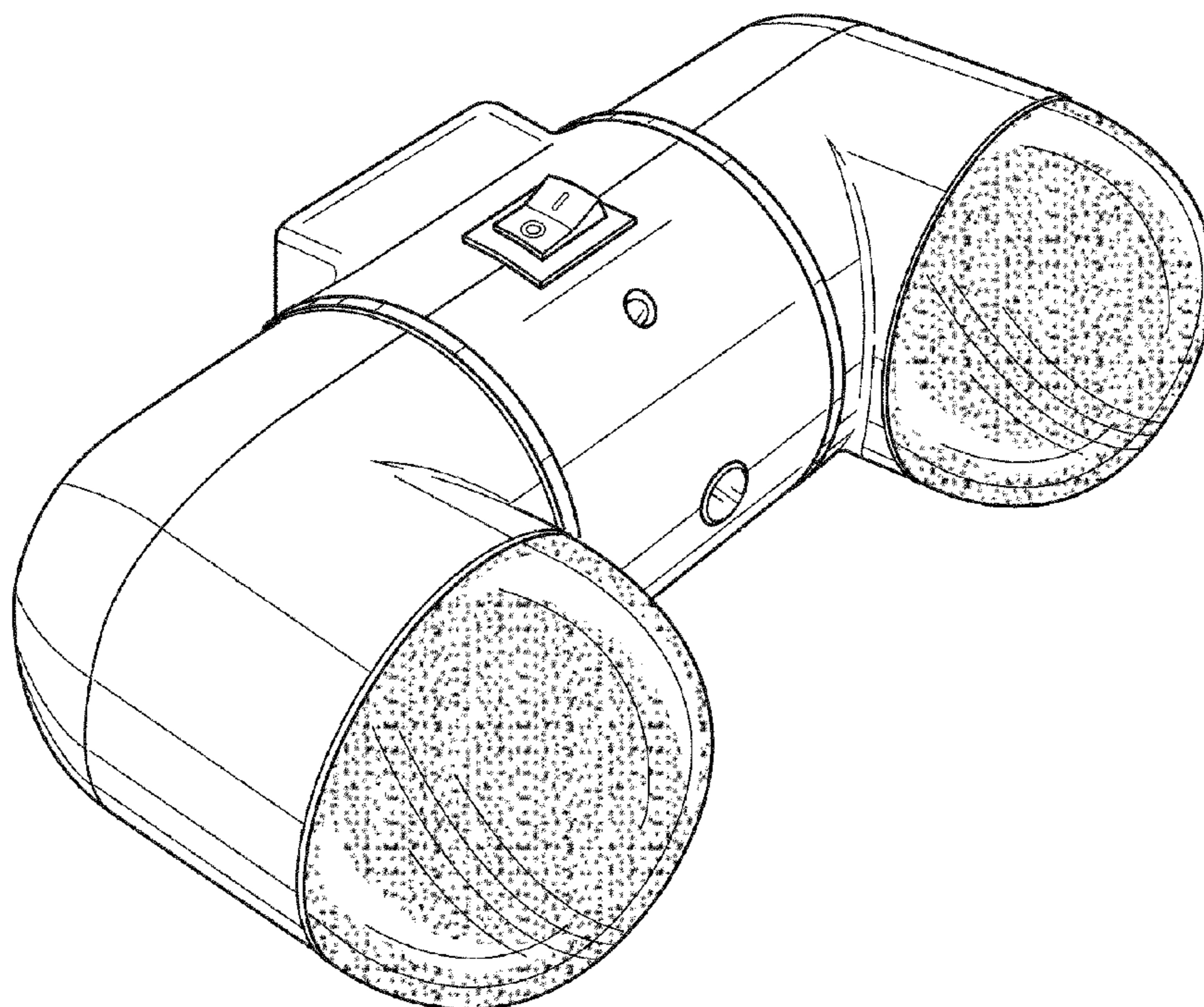


FIG. 1

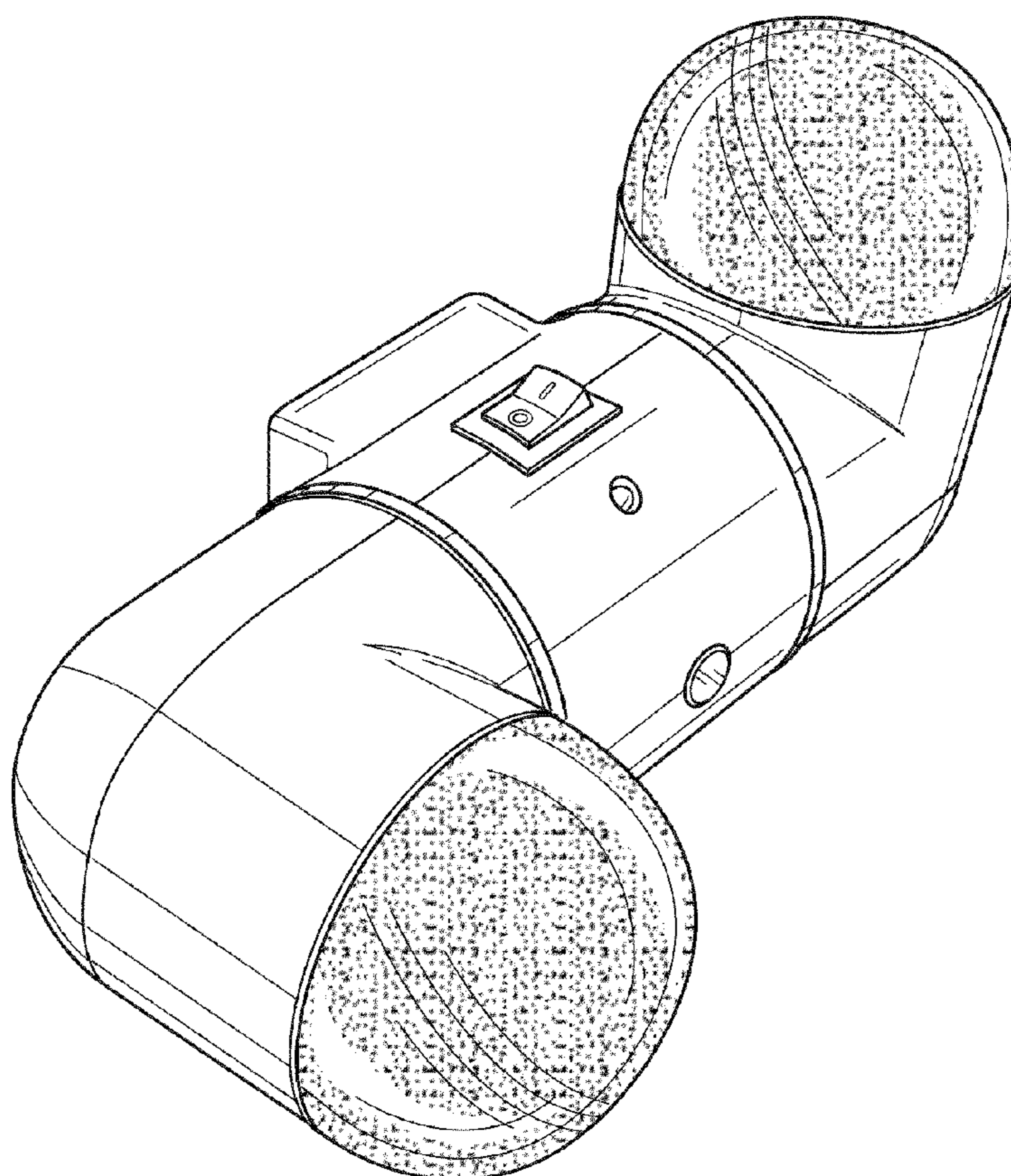


FIG. 2

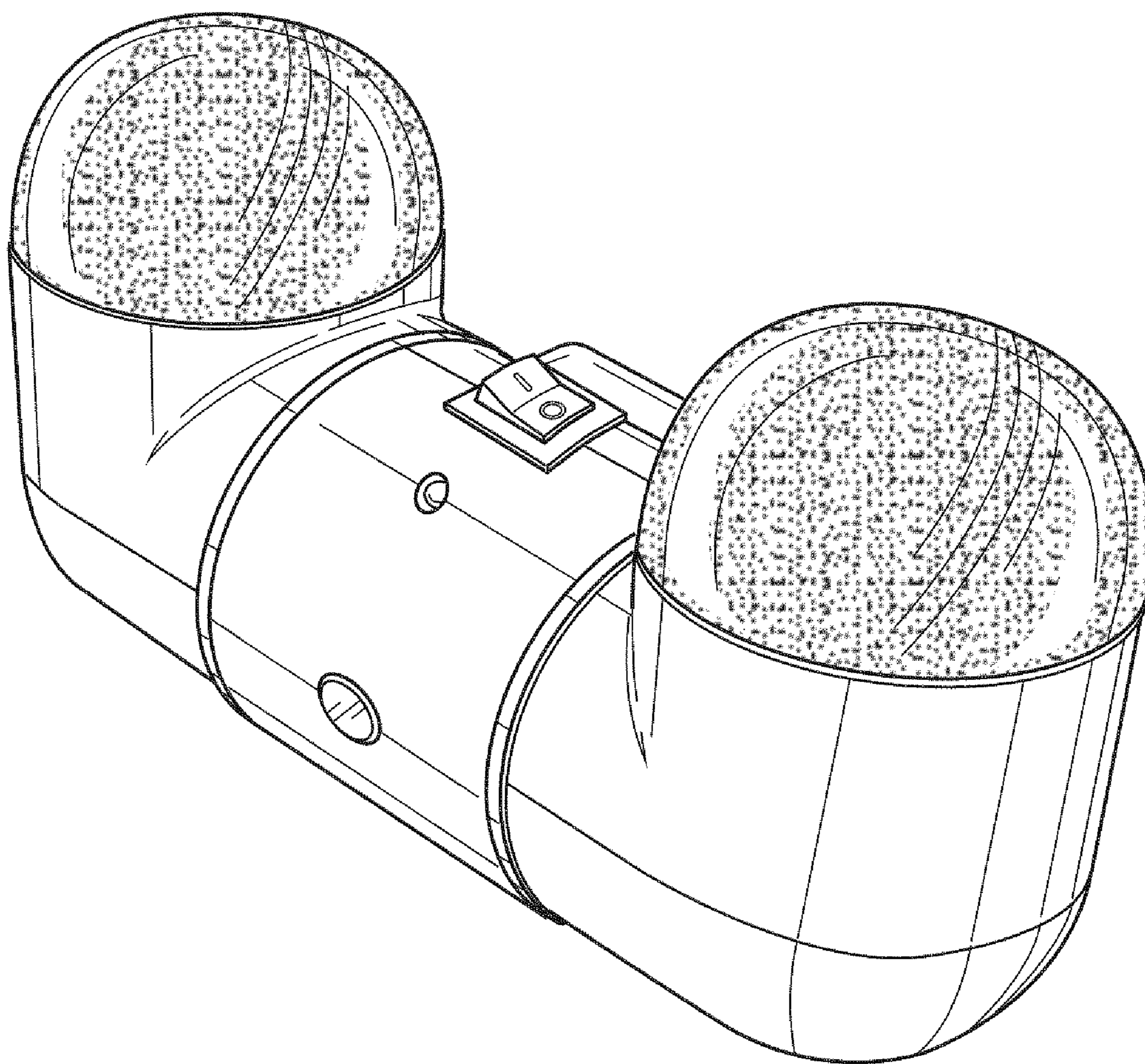


FIG. 3

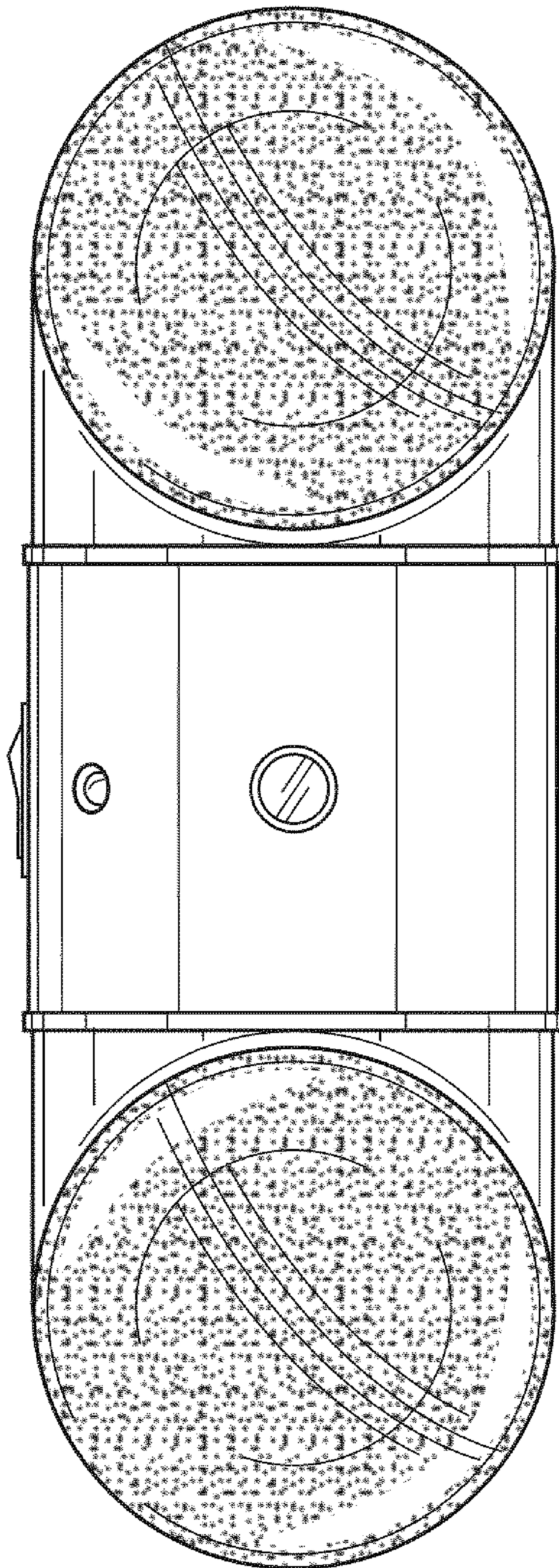


FIG. 4

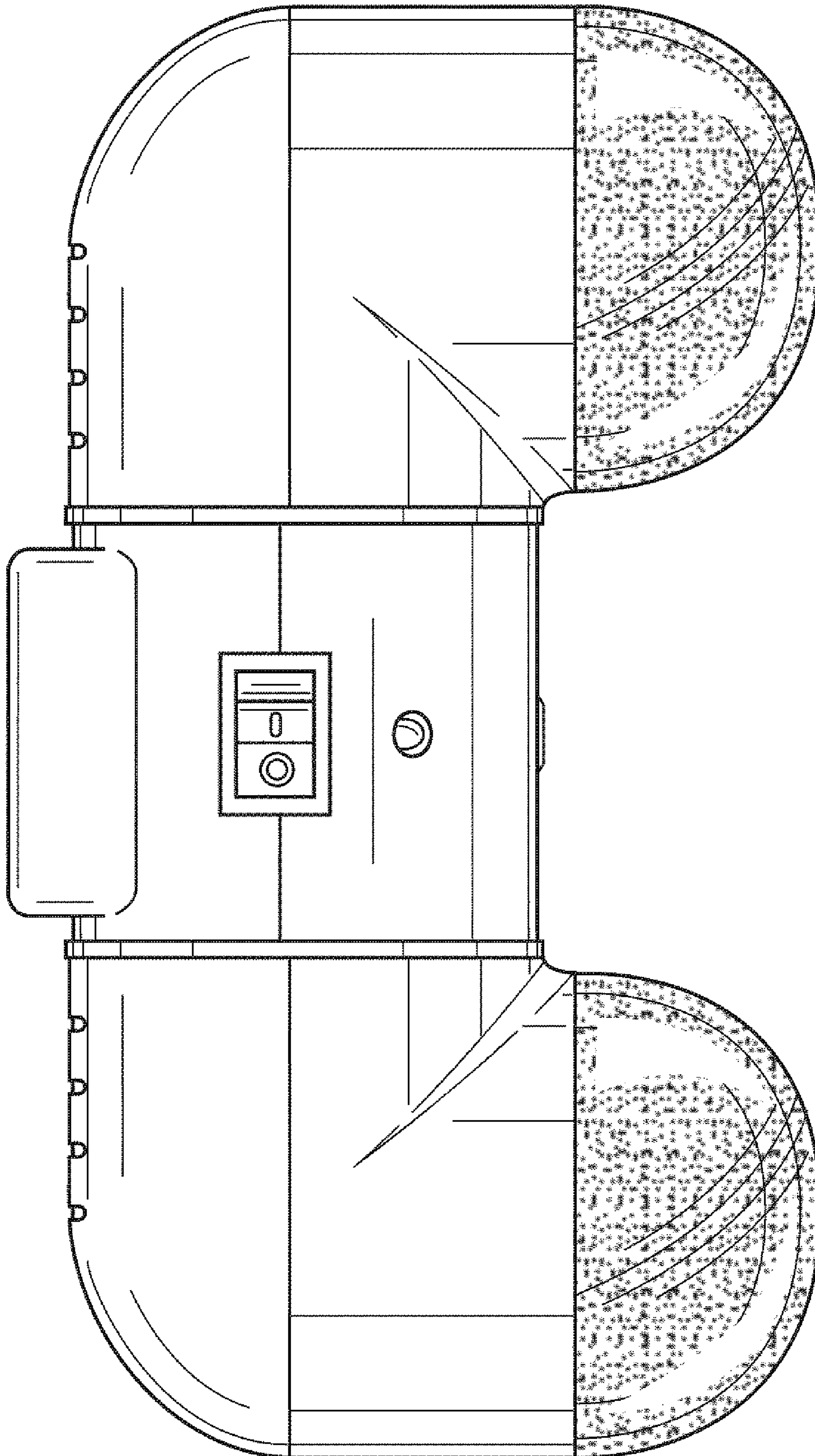


FIG. 5

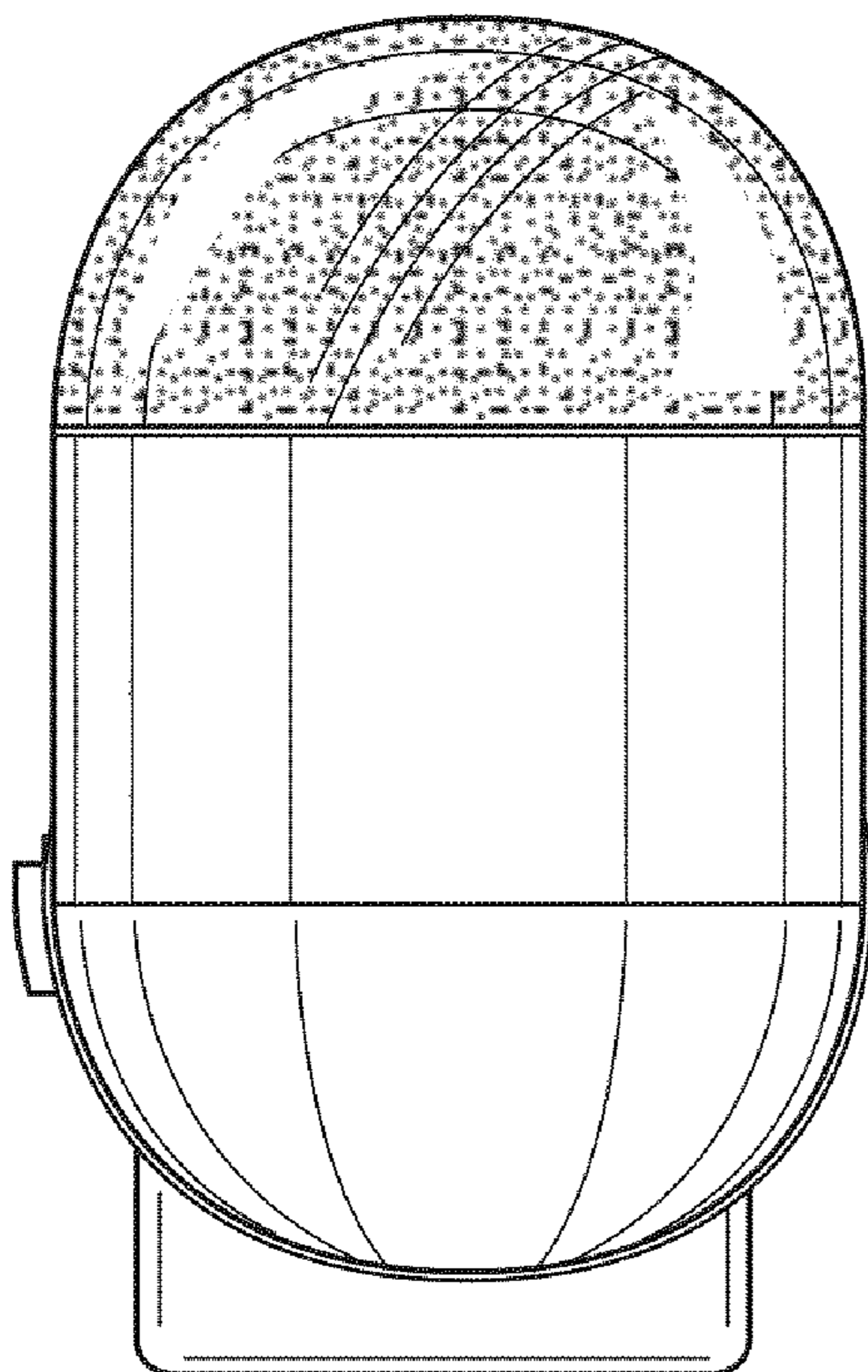


FIG. 7

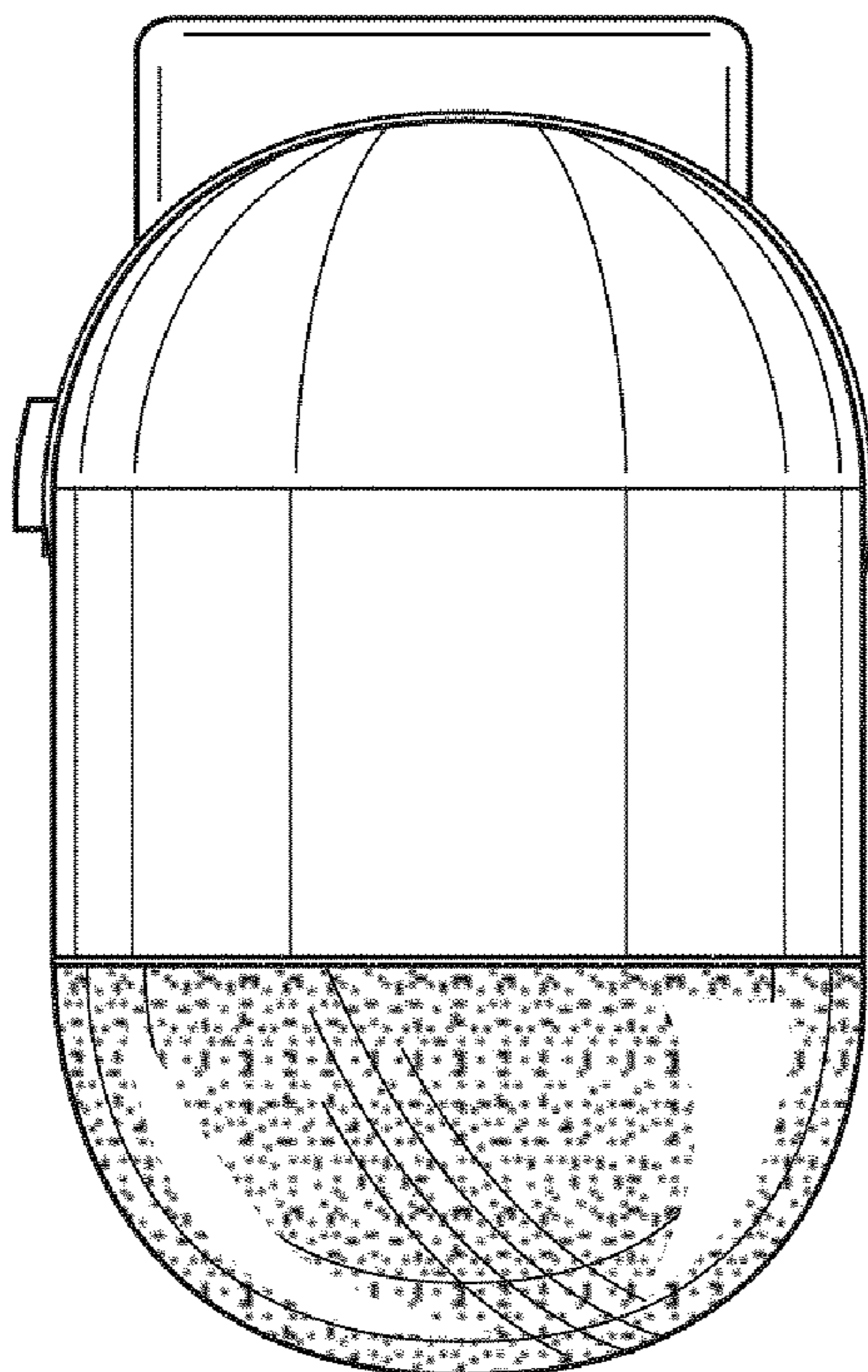


FIG. 6

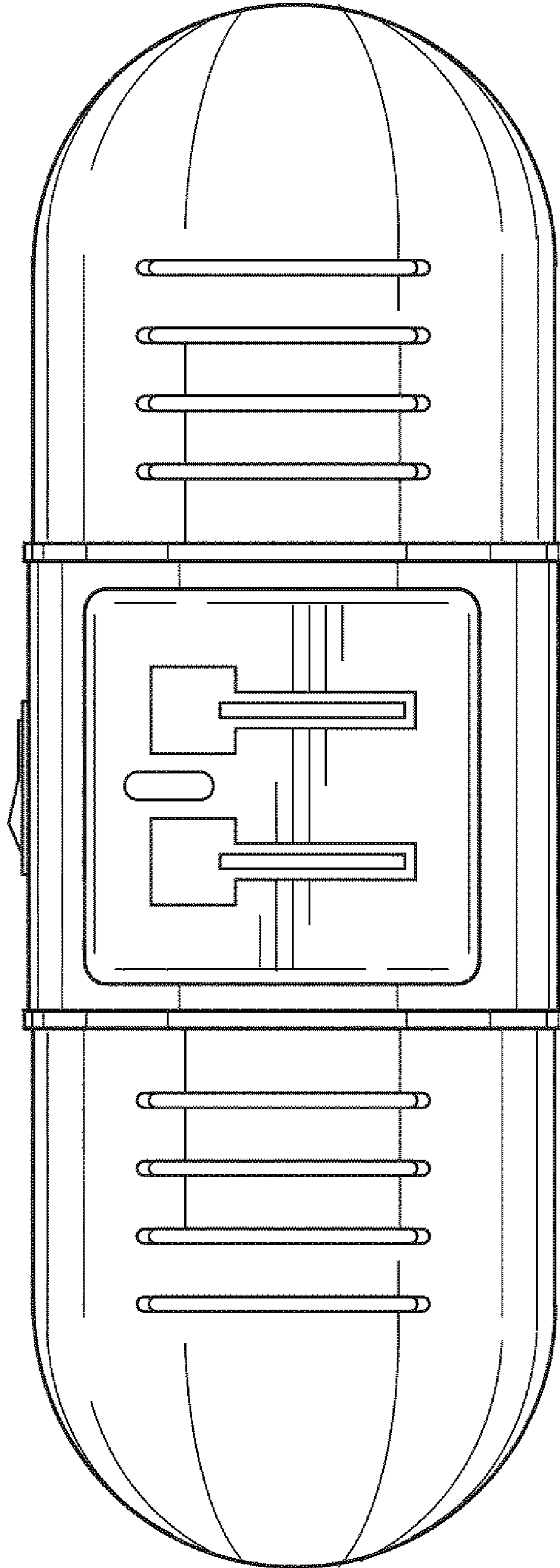


FIG. 8

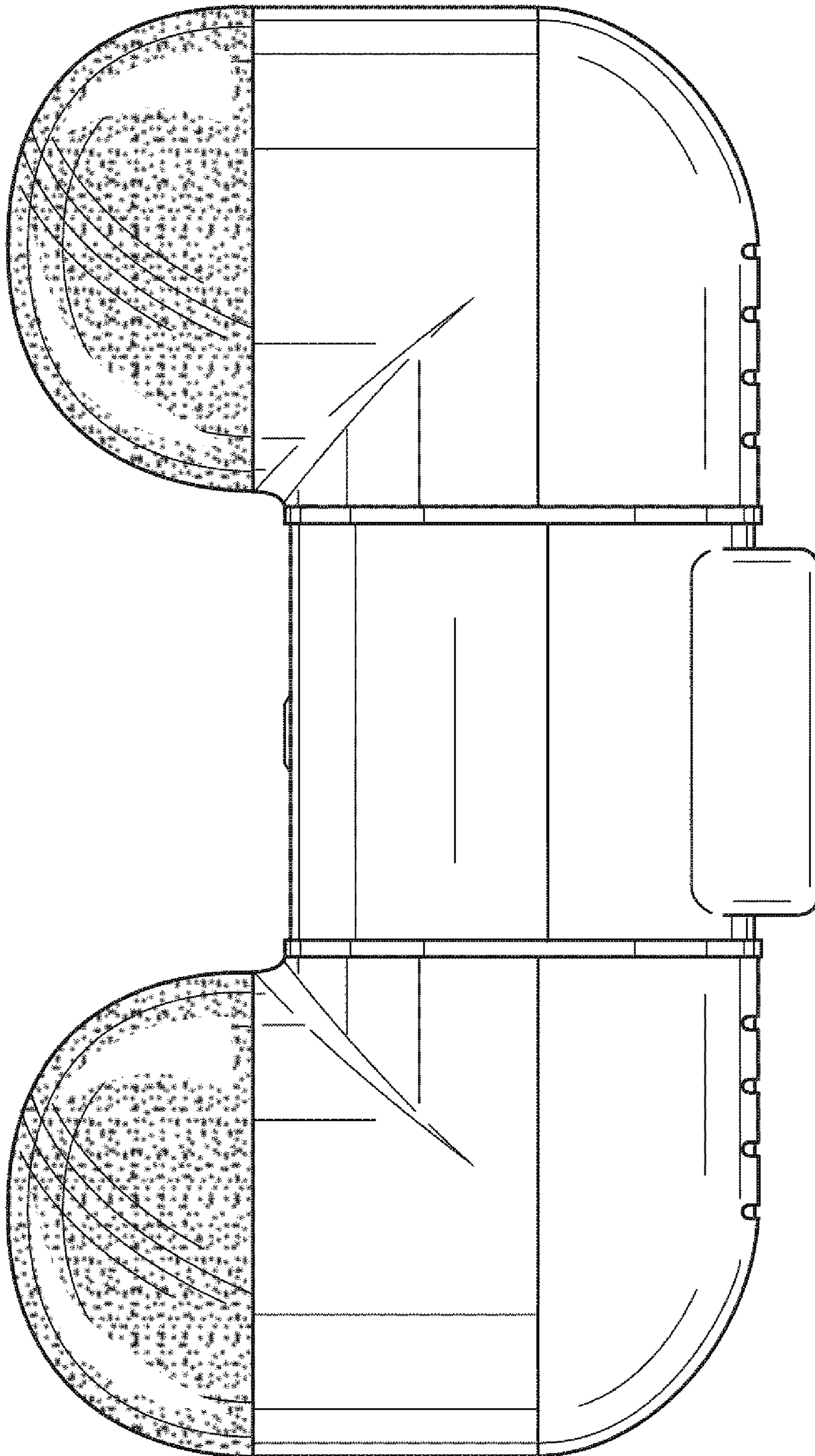


FIG. 9