



US00D642705S

(12) **United States Design Patent**  
**Stewart**

(10) **Patent No.:** **US D642,705 S**

(45) **Date of Patent:** **\*\* Aug. 2, 2011**

(54) **PULL TAB FOR REMOVING SOLIDIFIED SUBSTANCE**

(75) Inventor: **Julie Stewart**, Kuna, ID (US)

(73) Assignee: **Scentsy, Inc.**, Meridian, ID (US)

(\*\*) Term: **14 Years**

(21) Appl. No.: **29/380,220**

(22) Filed: **Dec. 1, 2010**

(51) **LOC (9) Cl.** ..... **26-01**

(52) **U.S. Cl.** ..... **D26/23**

(58) **Field of Classification Search** ..... D26/1-23,  
D26/114-137; D11/117; 428/7-11; 431/291,  
431/311, 320, 298, 288; 362/161-163, 351,  
362/369, 392

See application file for complete search history.

(56) **References Cited**

U.S. PATENT DOCUMENTS

2,246,346	A *	6/1941	Carroll	.....	431/298
3,475,246	A *	10/1969	Collie	.....	156/268
2004/0091184	A1 *	5/2004	Miller	.....	383/205
2009/0000972	A1 *	1/2009	Bartusiak	.....	206/411
2009/0004422	A1 *	1/2009	Bartusiak	.....	428/41.8

\* cited by examiner

*Primary Examiner* — T. Chase Nelson

*Assistant Examiner* — Ania Dworzecka

(74) *Attorney, Agent, or Firm* — TraskBritt

(57) **CLAIM**

The ornamental design for a pull tab for removing solidified substance, as shown and described.

**DESCRIPTION**

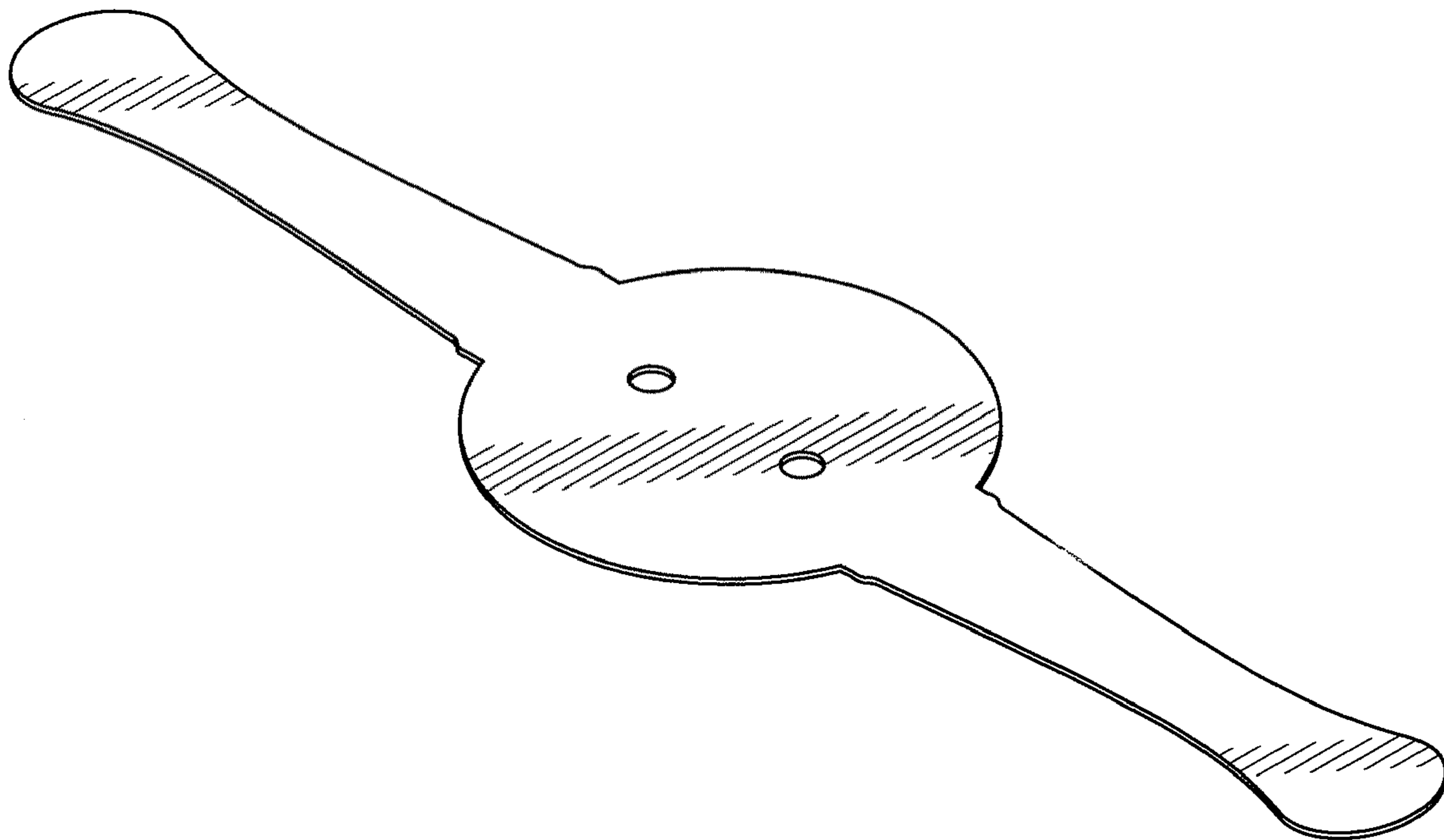
FIG. 1 is a perspective view of a pull tab for removing solidified substance showing my new design;

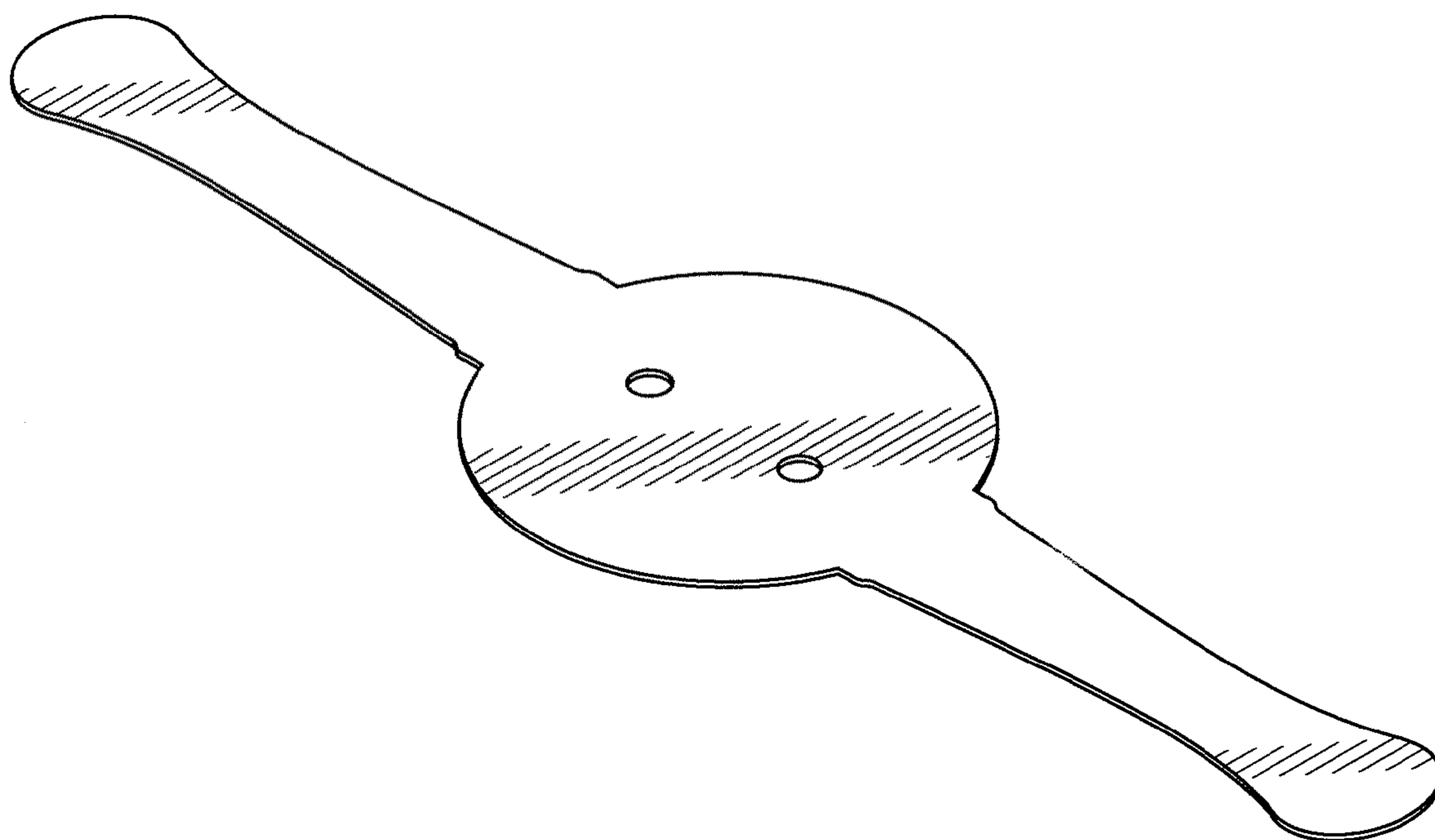
FIG. 2 is a top view of the pull tab for removing solidified substance shown in FIG. 1, a bottom view of the pull tab for removing solidified substance being a mirror image of the top view shown in FIG. 2;

FIG. 3 is a right side view of the pull tab for removing solidified substance shown in FIG. 1, a left side view of the pull tab for removing solidified substance being a mirror image of the right side view shown in FIG. 3; and,

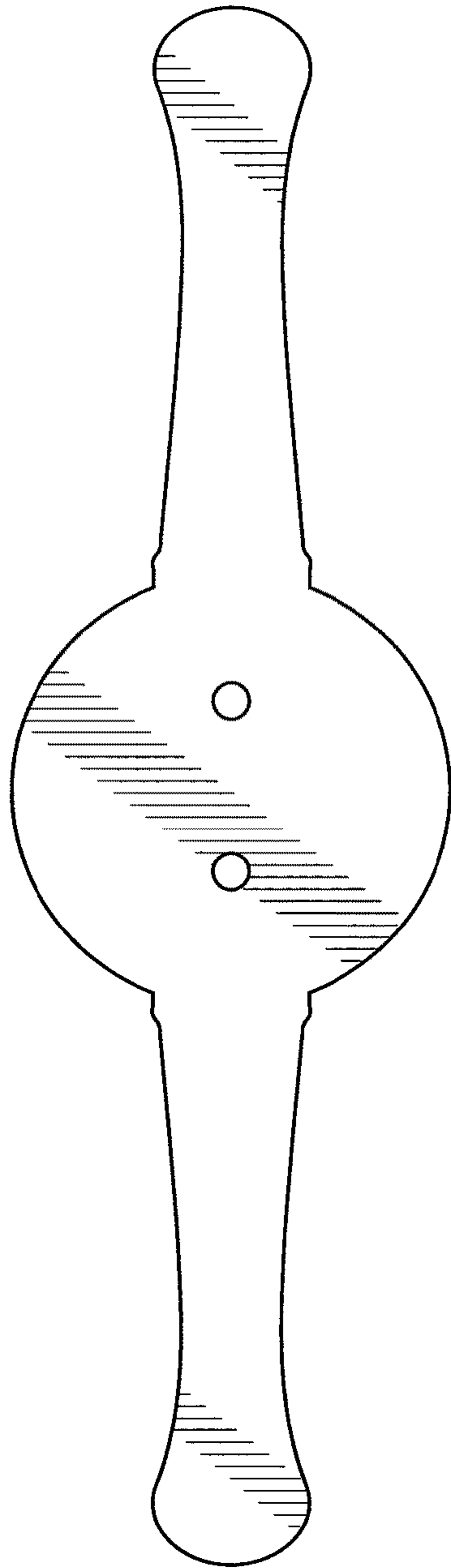
FIG. 4 is a front view of the pull tab for removing solidified substance shown in FIG. 1, the rear view of the pull tab for removing solidified substance being a mirror image of the front view shown in FIG. 4.

**1 Claim, 2 Drawing Sheets**





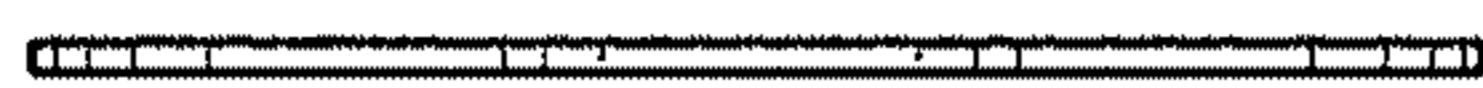
**FIG. 1**



**FIG. 2**



**FIG. 3**



**FIG. 4**