



US00D642704S

(12) **United States Design Patent**
Hagens et al.

(10) **Patent No.:** **US D642,704 S**

(45) **Date of Patent:** **** Aug. 2, 2011**

(54) **SOLID STATE LIGHT ASSEMBLY**

(75) Inventors: **Kayla A. Hagens**, Cottage Grove, MN (US); **Raymond P. Johnston**, Lake Elmo, MN (US); **Charles N. DeVore**, Hugo, MN (US); **Martin Kristoffersen**, Maplewood, MN (US); **Brian W. Lueck**, Houlton, WI (US); **Katie B. Thompson**, River Falls, WI (US)

2005/0195600 A1 9/2005 Porchia et al.
2005/0200262 A1 9/2005 Wu
2006/0274529 A1 12/2006 Cao
2006/0285325 A1 12/2006 Ducharme et al.
2007/0263393 A1 11/2007 Van De Ven

(Continued)

FOREIGN PATENT DOCUMENTS

AU 2005100101 3/2005

(Continued)

(73) Assignee: **3M Innovative Properties Company**, Saint Paul, MN (US)

OTHER PUBLICATIONS

U.S. Appl. No. 12/829,611, filed Jul. 2, 2010, "Transistor Ladder Network for Driving a Light Emitting Diode Series String".

(Continued)

(**) Term: **14 Years**

Primary Examiner — Marcus Jackson

(21) Appl. No.: **29/380,445**

(22) Filed: **Dec. 6, 2010**

(51) **LOC (9) Cl.** **26-04**

(52) **U.S. Cl.** **D26/2**

(58) **Field of Classification Search** D26/1-4;
313/313, 315, 316, 317, 318, 493; 315/52,
315/53, 56, 57, 58

See application file for complete search history.

(57) **CLAIM**

The ornamental design for a solid state light assembly, as shown and described.

DESCRIPTION

FIG. 1 is a perspective view of the new design for a solid state light assembly having a transparent or semi-transparent optical guide for distributing light from solid state light sources, such as light emitting diodes, and an integrated internal thermal guide for dissipating heat from the solid state light sources;

FIG. 2 is an exploded perspective view thereof, showing the upper portion of the optical guide and the thermal guide removed from the other components of the assembly;

FIG. 3 is a side view thereof, the right view, left view, and rear view being mirror images of the side view shown;

FIG. 4 is a top view thereof; and,

FIG. 5 is a bottom view thereof.

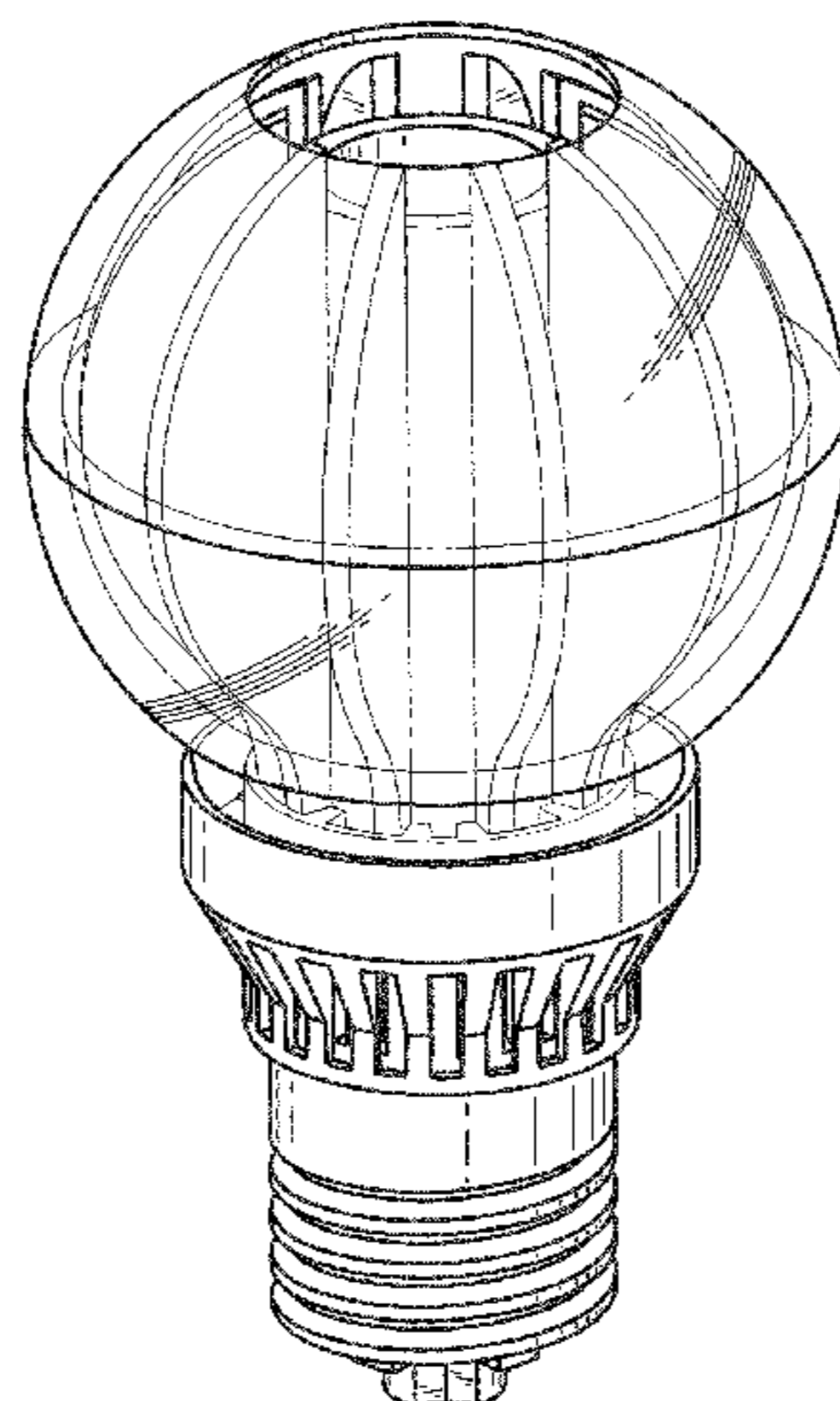
The claim is directed to the collective appearance of the components of the solid state light assembly shown.

(56) **References Cited**

U.S. PATENT DOCUMENTS

5,387,458	A	2/1995	Pavelka et al.	
6,523,978	B1	2/2003	Huang	
6,802,363	B1	10/2004	Wang	
7,144,135	B2	12/2006	Martin et al.	
7,160,012	B2	1/2007	Hilscher et al.	
7,270,458	B2	9/2007	Kuo et al.	
7,270,460	B2	9/2007	Merz et al.	
7,347,584	B2	3/2008	Sun et al.	
D627,085	S *	11/2010	Duan et al.	D26/2
D629,929	S *	12/2010	Chen et al.	D26/2
7,863,831	B2	1/2011	Vos	
D633,226	S *	2/2011	Katsaros	D26/2
D634,451	S *	3/2011	de Visser	D26/2
2004/0201990	A1	10/2004	Meyer	
2005/0117332	A1	6/2005	Maack	

1 Claim, 4 Drawing Sheets



US D642,704 S

Page 2

U.S. PATENT DOCUMENTS

2008/0049399	A1	2/2008	Lu et al.
2008/0084692	A1	4/2008	DeRose
2008/0084700	A1	4/2008	Van De Ven
2008/0210953	A1	9/2008	Ladstatter et al.
2009/0034250	A1	2/2009	Chen
2010/0097823	A1	4/2010	Chang et al.
2010/0181888	A1	7/2010	Lu

FOREIGN PATENT DOCUMENTS

CN	200968565	10/2007
CN	201003702	1/2008
CN	201081146	7/2008
CN	10-1852356	10/2010
DE	20 2004 012513	12/2004

GB	2 345 954	7/2000
JP	2007-265892	10/2007
JP	2008-091140	4/2008
WO	2006/006473	1/2006
WO	2007/130359	11/2007
WO	2010/058325	5/2010
WO	2010/0146746	10/2010

OTHER PUBLICATIONS

U.S. Appl. No. 12/960,642, filed Dec. 6, 2010, "Solid State Light With Optical Guide and Integrated Thermal Guide".

U.S. Appl. No. 12/535,203, filed Aug. 4, 2009, "Solid State Light With Optical Guide and Integrated Thermal Guide".

* cited by examiner

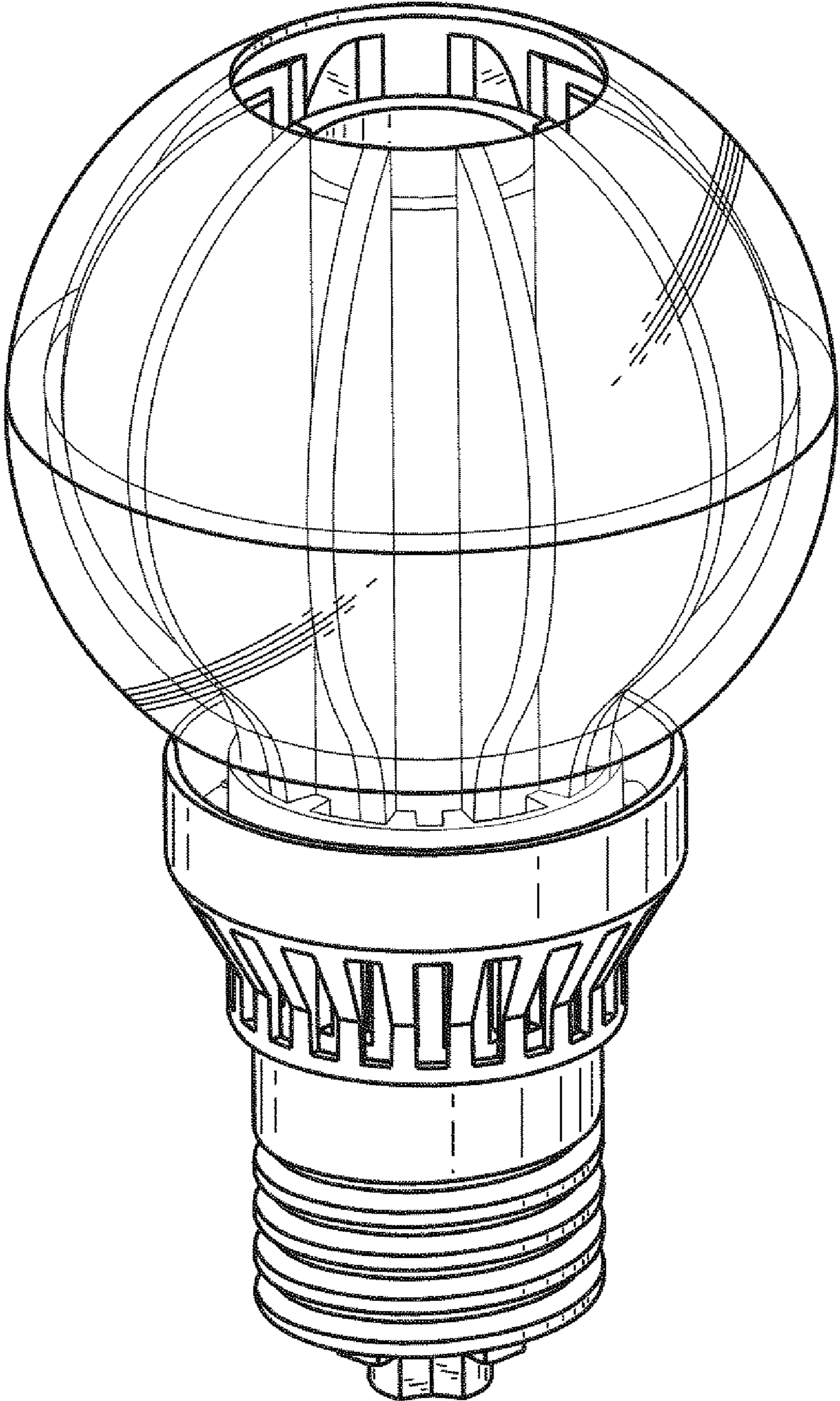


Fig. 1

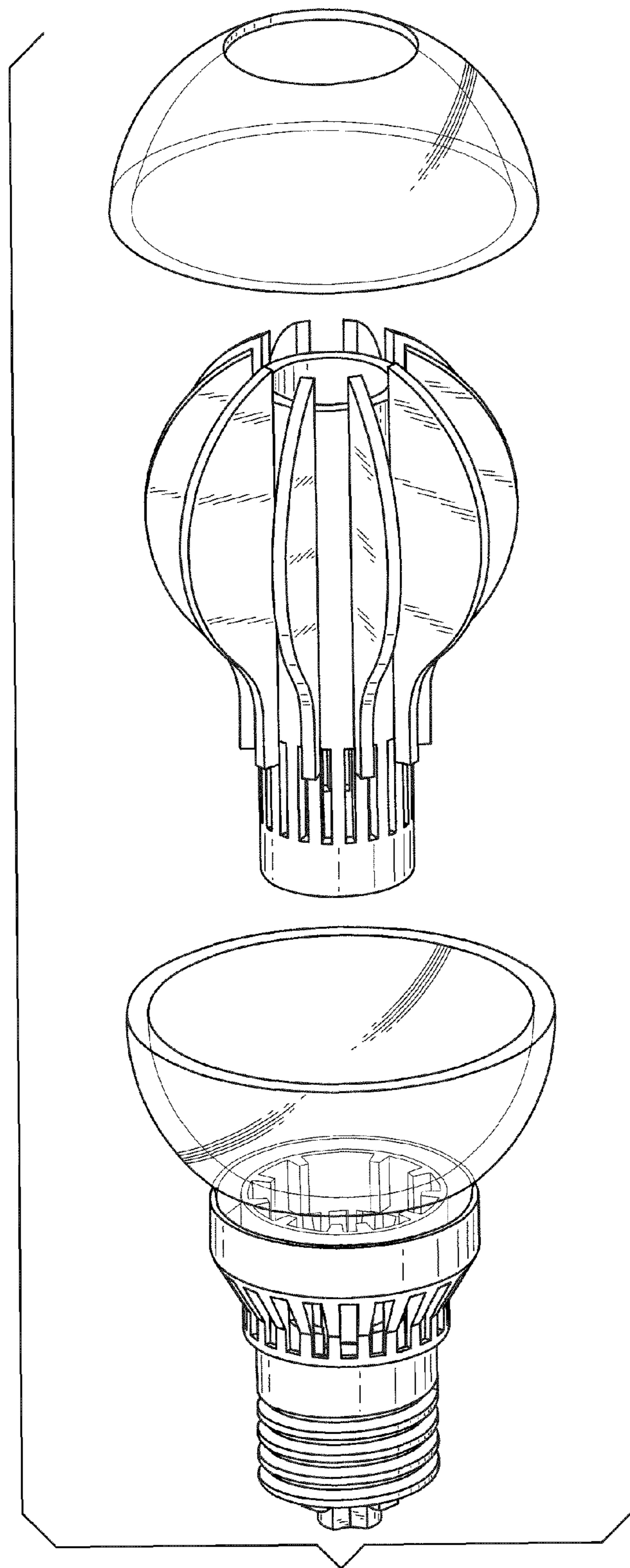


Fig. 2

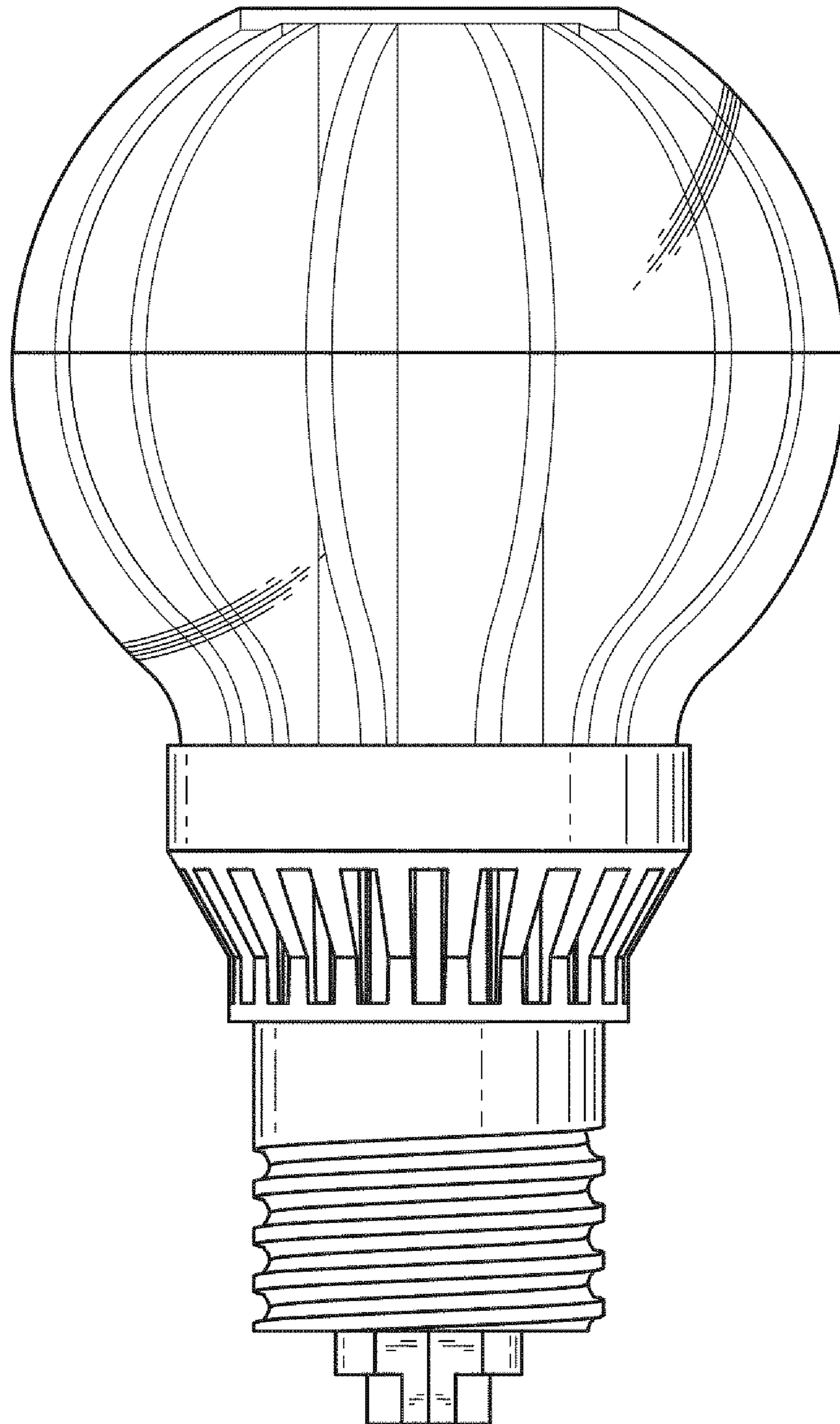


Fig. 3

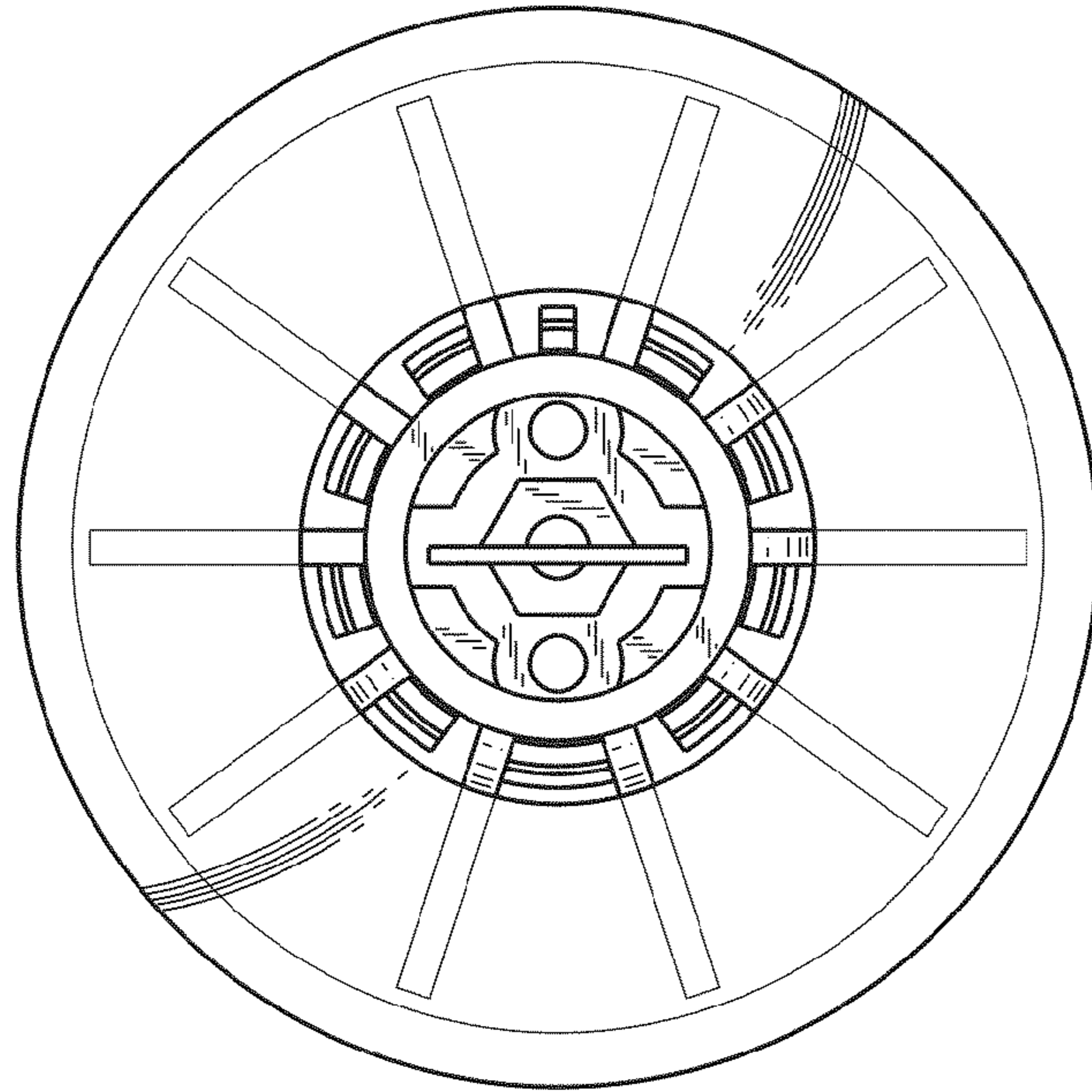


Fig. 4

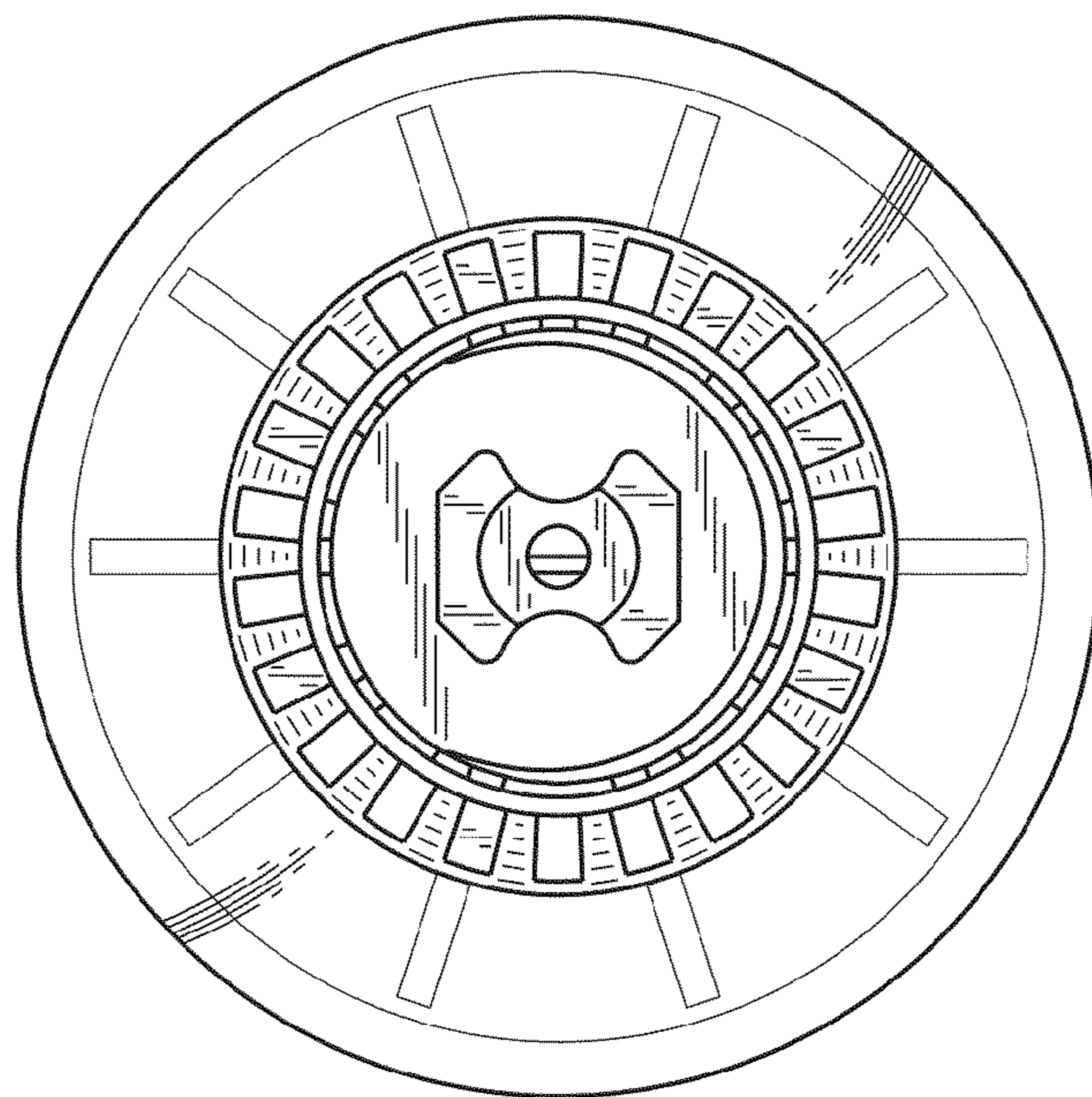


Fig. 5