



US00D642698S

(12) **United States Design Patent**
Stanley et al.

(10) **Patent No.:** **US D642,698 S**

(45) **Date of Patent:** **** Aug. 2, 2011**

(54) **FAUCET MOUNTED EYEWASH UNIT**

Primary Examiner — Robin Webster

(75) Inventors: **Stephen L. Stanley**, Sun Valley, NV (US); **Ian T. Roberts**, Sparks, NV (US); **Zoltan Goncze**, Reno, NV (US)

(74) *Attorney, Agent, or Firm* — Lowry Blixseth LLP; Stuart O. Lowry; Scott M. Lowry

(73) Assignee: **Haws Corporation**, Sparks, NV (US)

(57) **CLAIM**

(**) Term: **14 Years**

The ornamental design for a faucet mounted eyewash unit, as shown.

(21) Appl. No.: **29/377,469**

(22) Filed: **Oct. 21, 2010**

DESCRIPTION

(51) **LOC (9) Cl.** **24-00**

(52) **U.S. Cl.** **D24/231; D23/249**

(58) **Field of Classification Search** D23/213, D23/249; D24/231; 604/294, 300; 4/620
See application file for complete search history.

FIG. 1 is a perspective view showing the top, front and left sides of a faucet mounted eyewash unit in accordance with the invention, and showing the unit in a faucet mode;

FIG. 2 is a front elevation view thereof;

FIG. 3 is a rear elevation view thereof;

FIG. 4 is a left side elevation view thereof;

FIG. 5 is a right side elevation view thereof;

FIG. 6 is a top plan view thereof;

FIG. 7 is a bottom plan view thereof; and,

FIG. 8 is a bottom perspective view showing the unit in eyewash mode.

The dotted line depiction of a faucet spout in FIGS. 1 and 8 is for illustrative purposes only, and does not form a part of the claimed design.

(56) **References Cited**

U.S. PATENT DOCUMENTS

3,602,436	A *	8/1971	Wright	239/553.3
5,695,124	A *	12/1997	Demeny et al.	239/327
5,754,990	A *	5/1998	Gurries, II	4/620
6,205,599	B1 *	3/2001	Anders	4/620
6,782,568	B2 *	8/2004	Novak et al.	4/620
7,658,729	B2 *	2/2010	Hull	604/294
D612,064	S *	3/2010	Strandberg et al.	D24/231

* cited by examiner

1 Claim, 2 Drawing Sheets

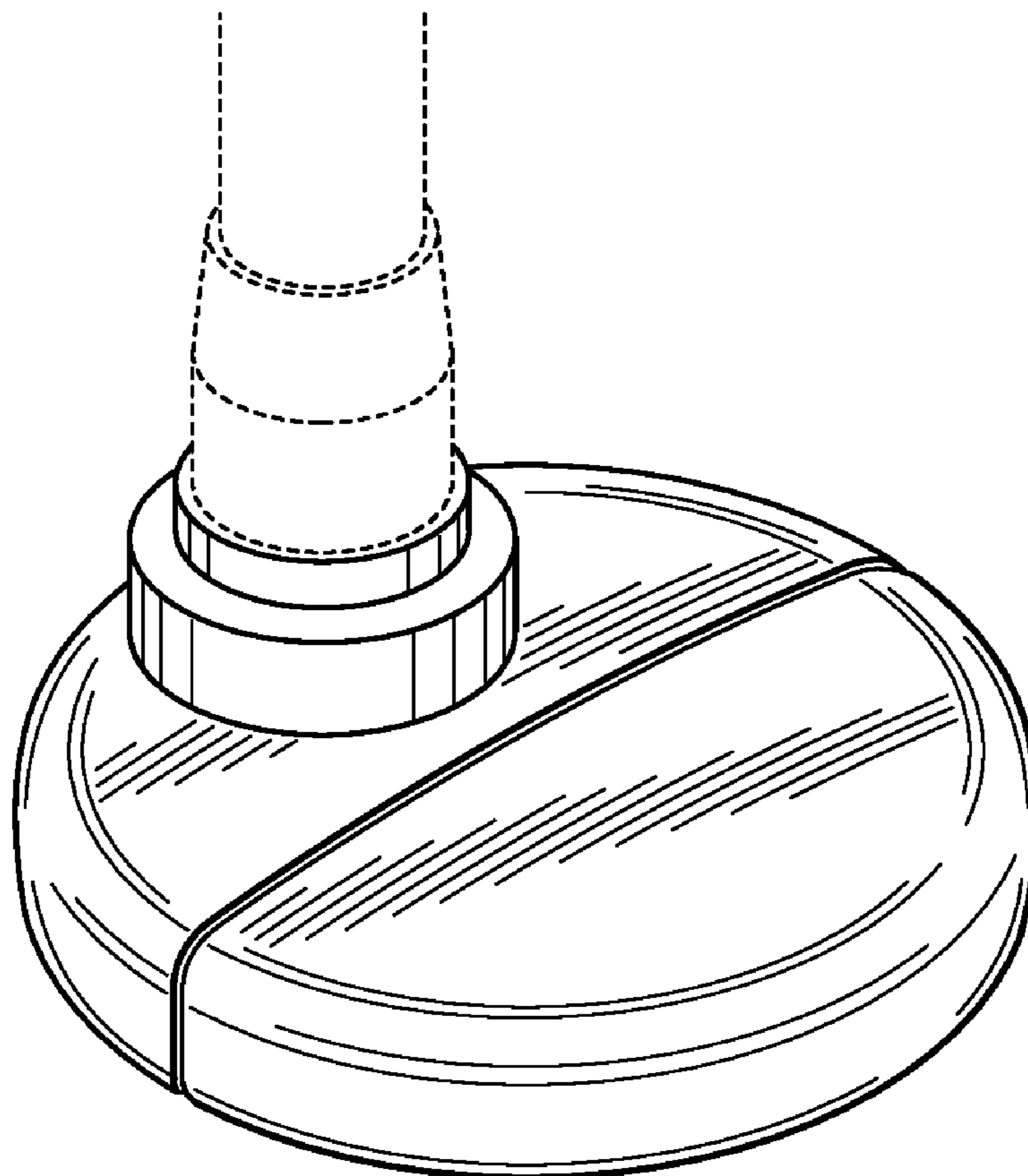


FIG. 1

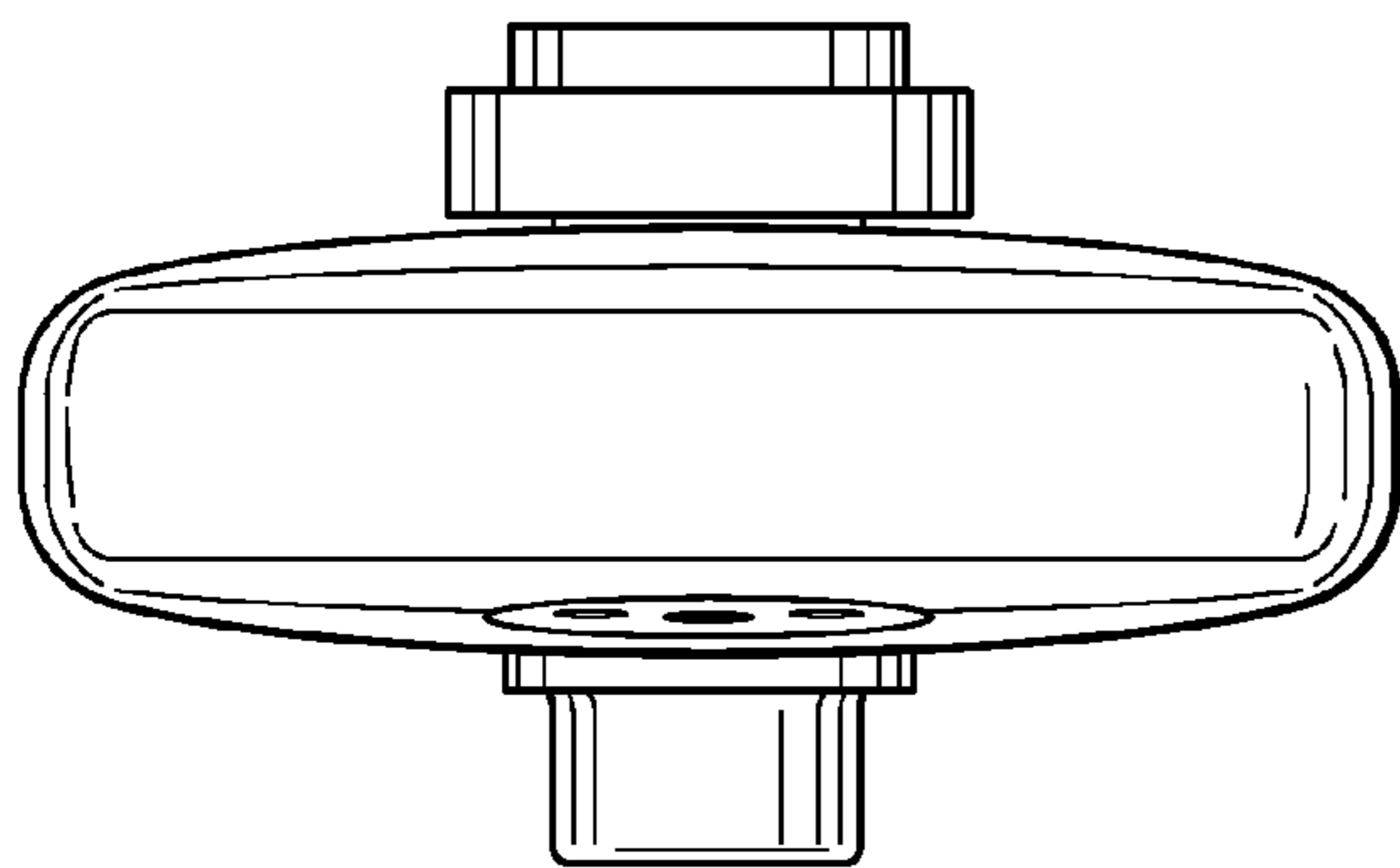
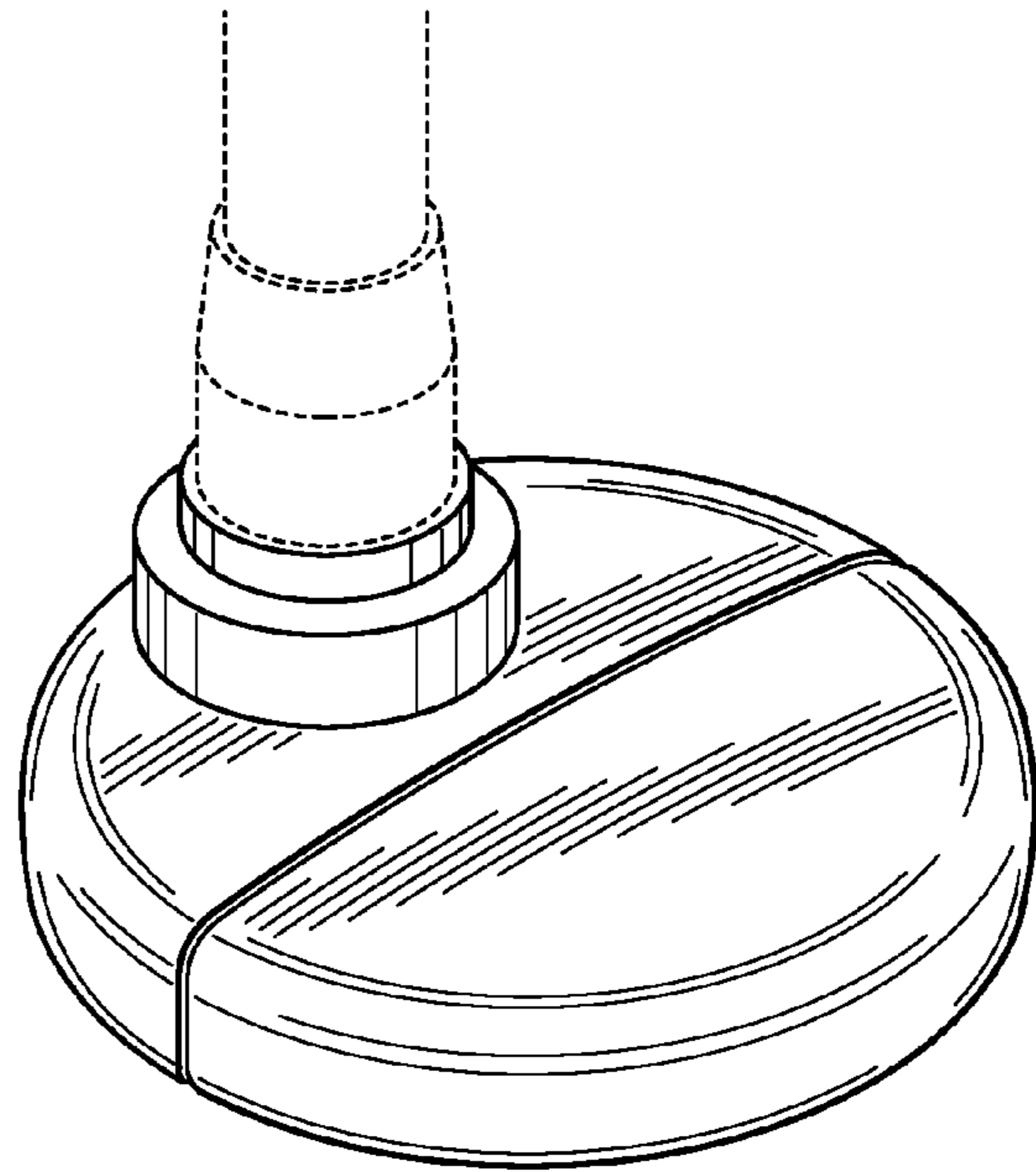


FIG. 2

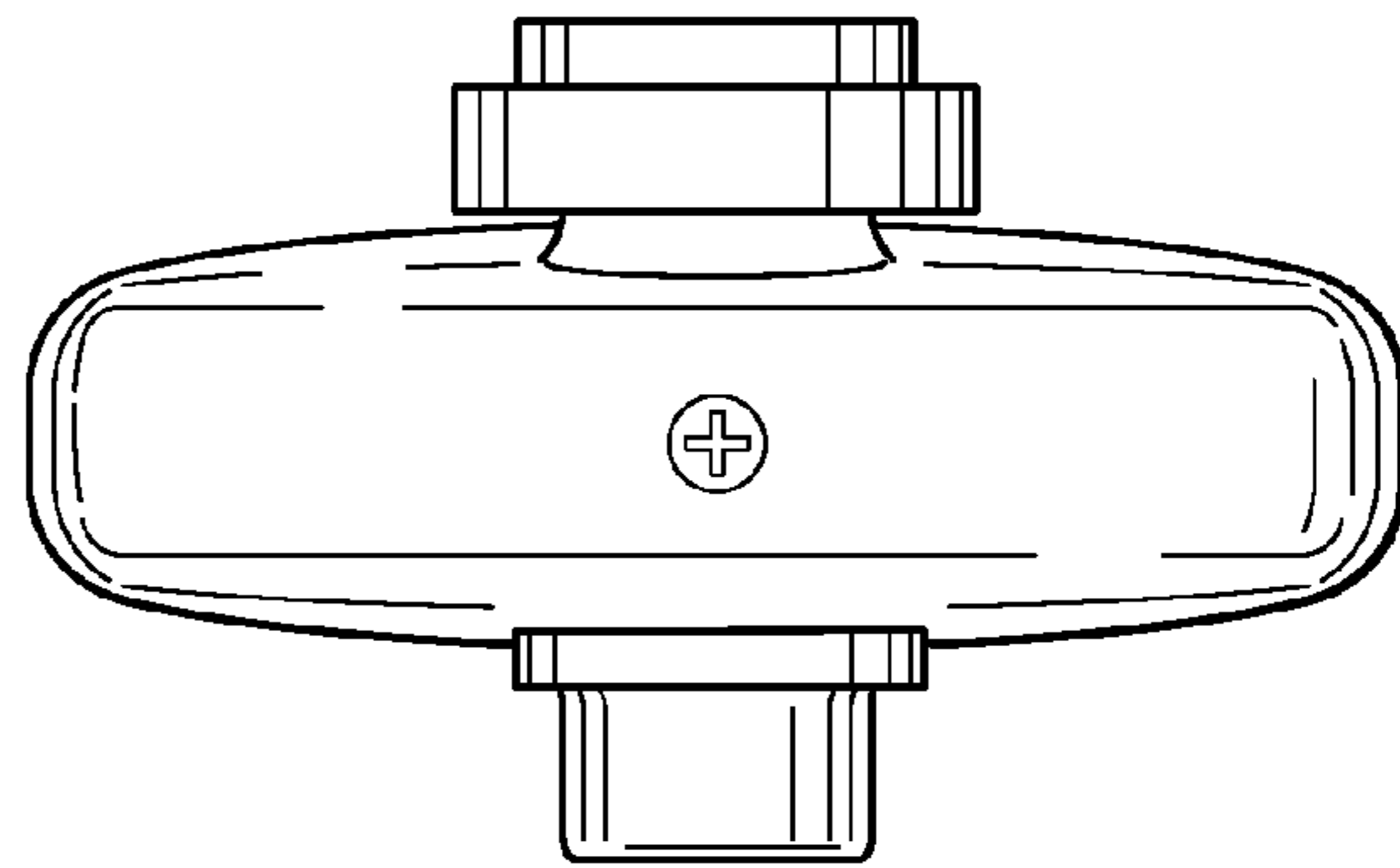


FIG. 3

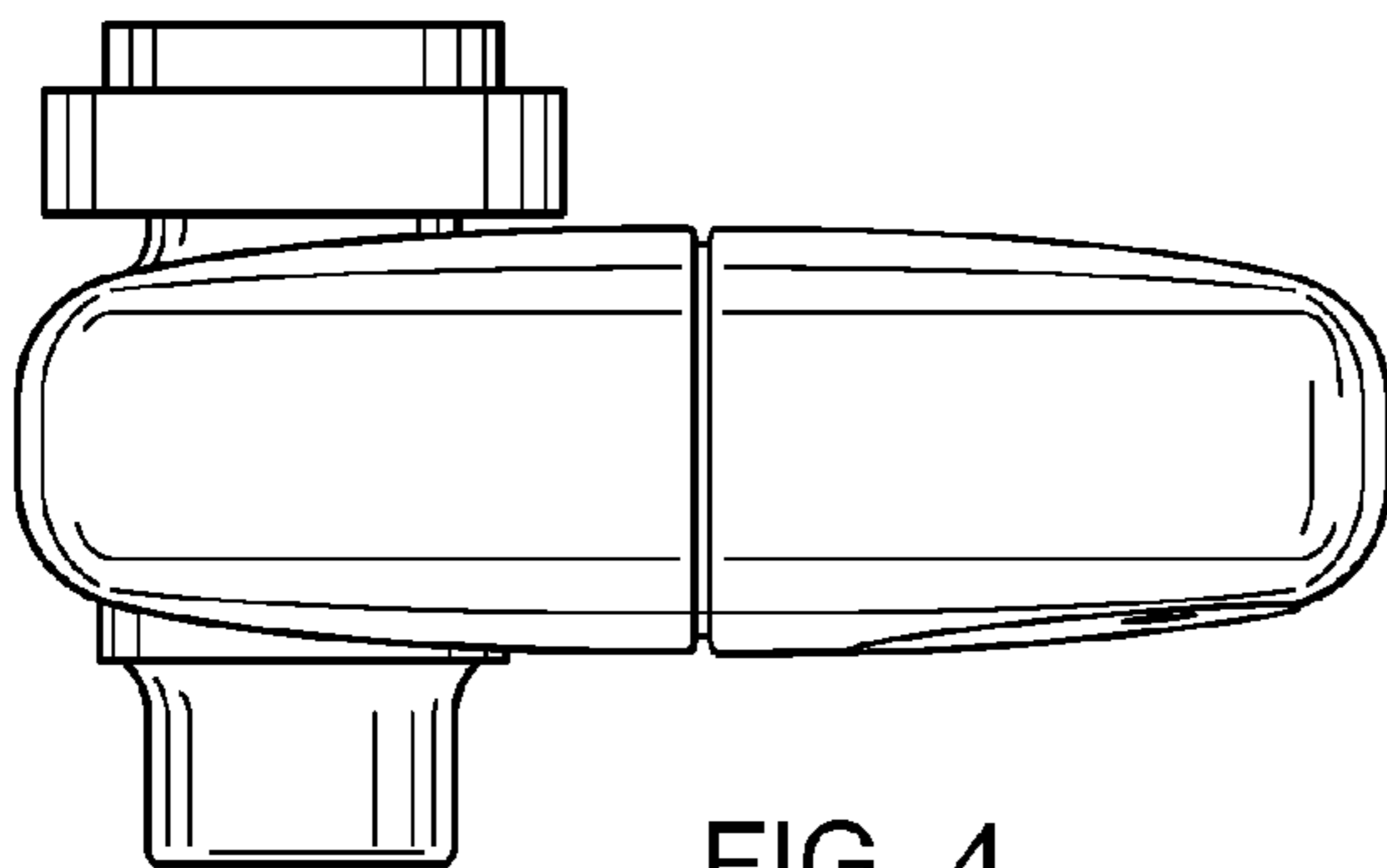


FIG. 4

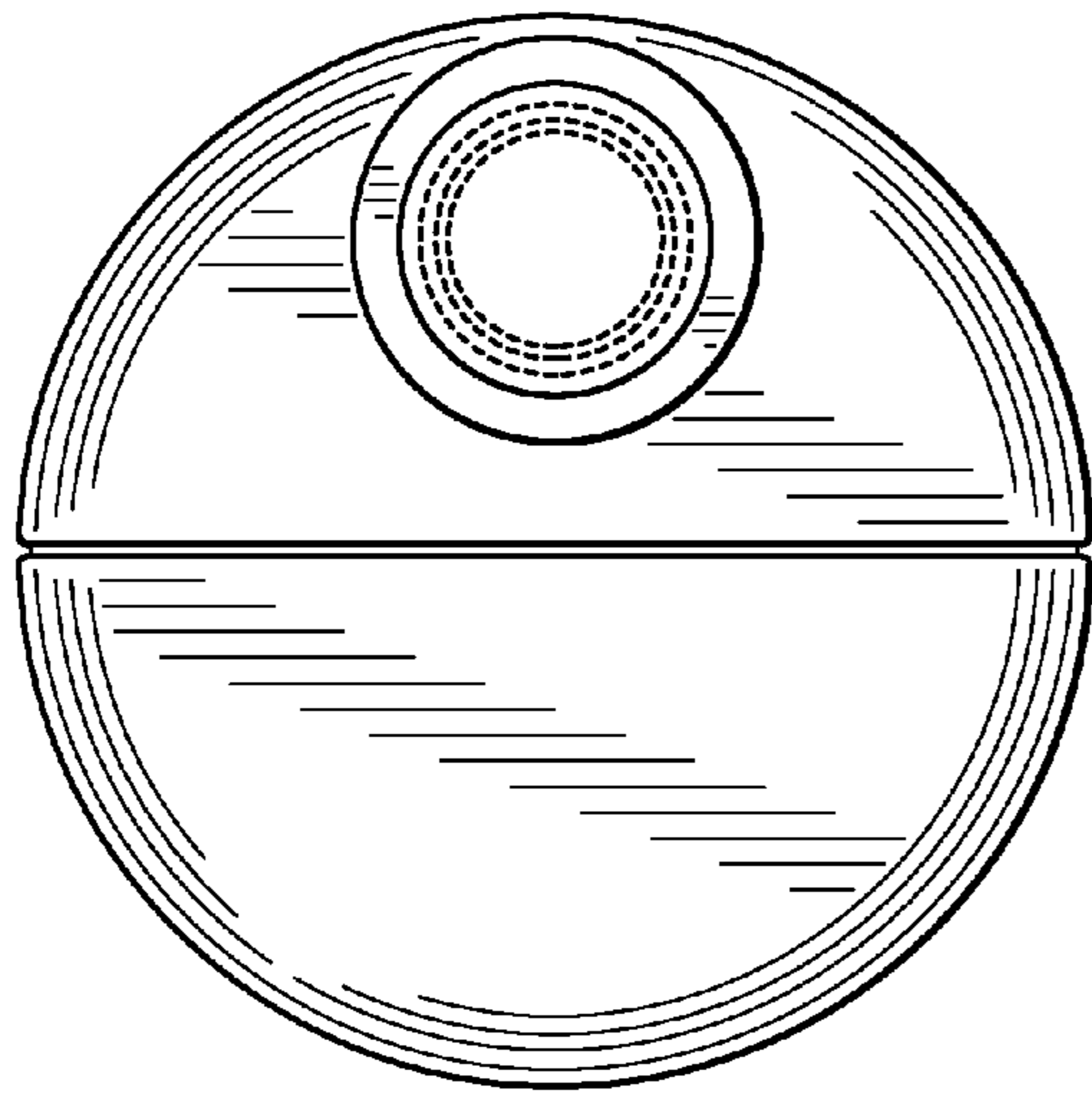


FIG. 6

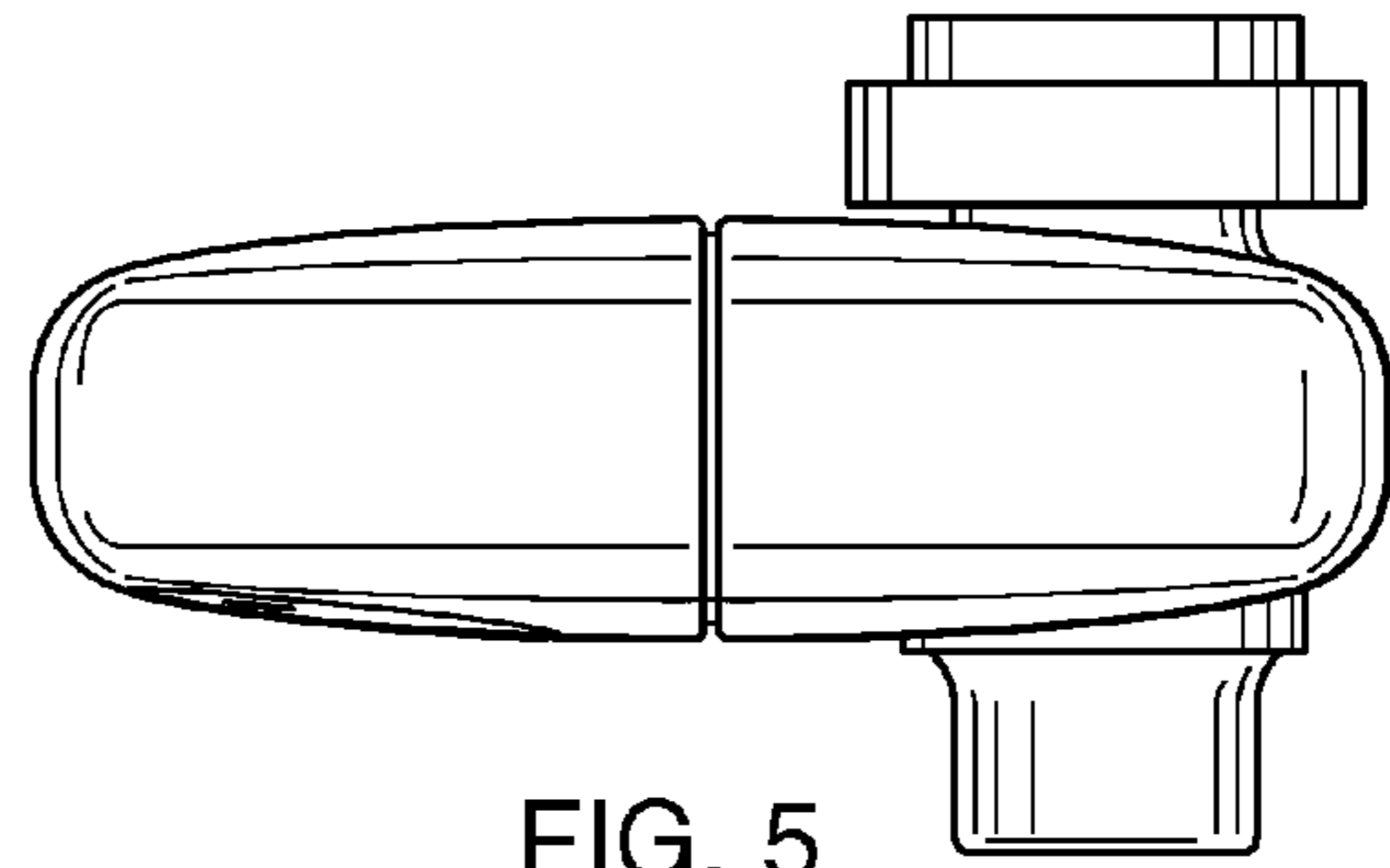


FIG. 5

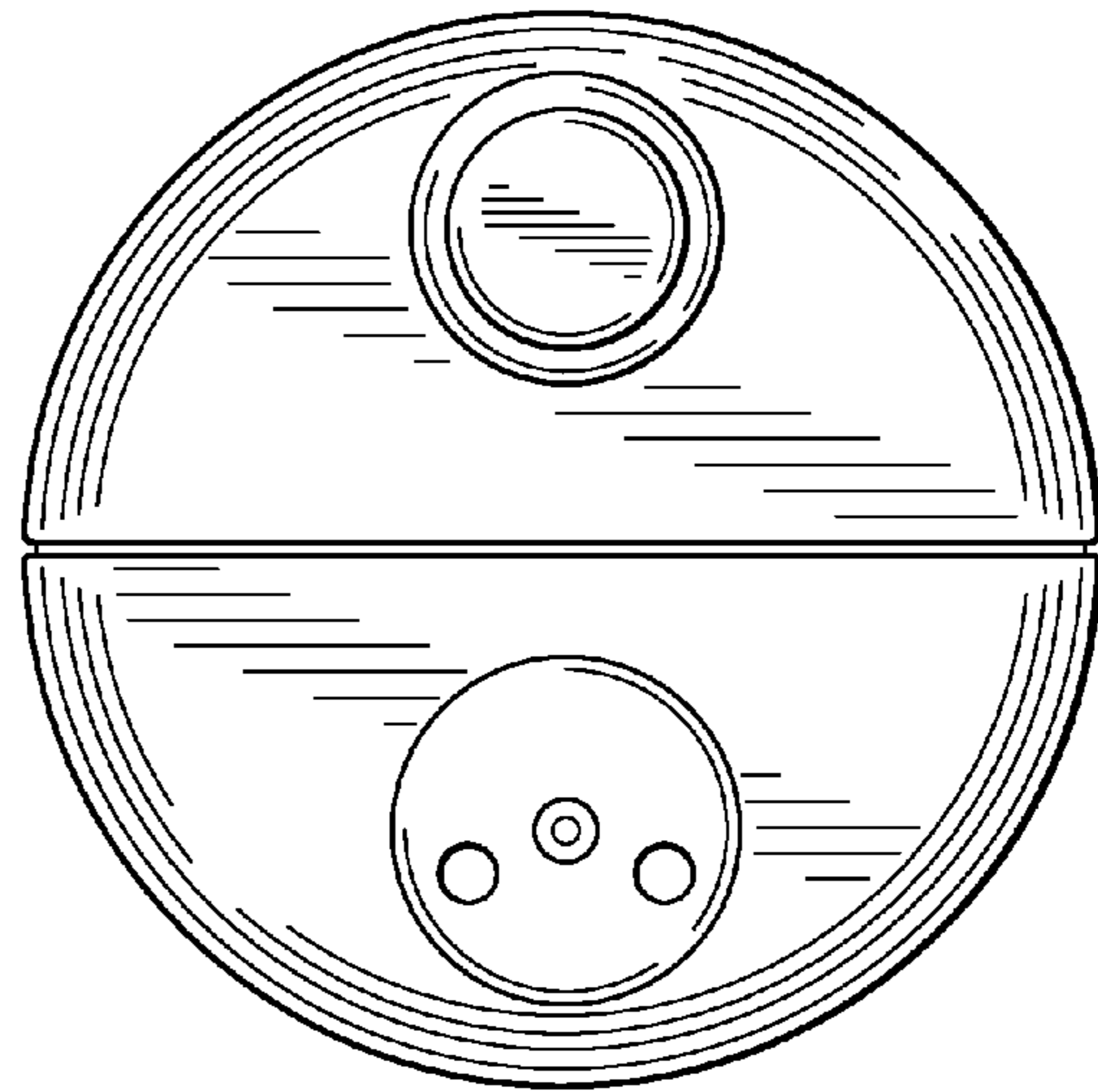


FIG. 7

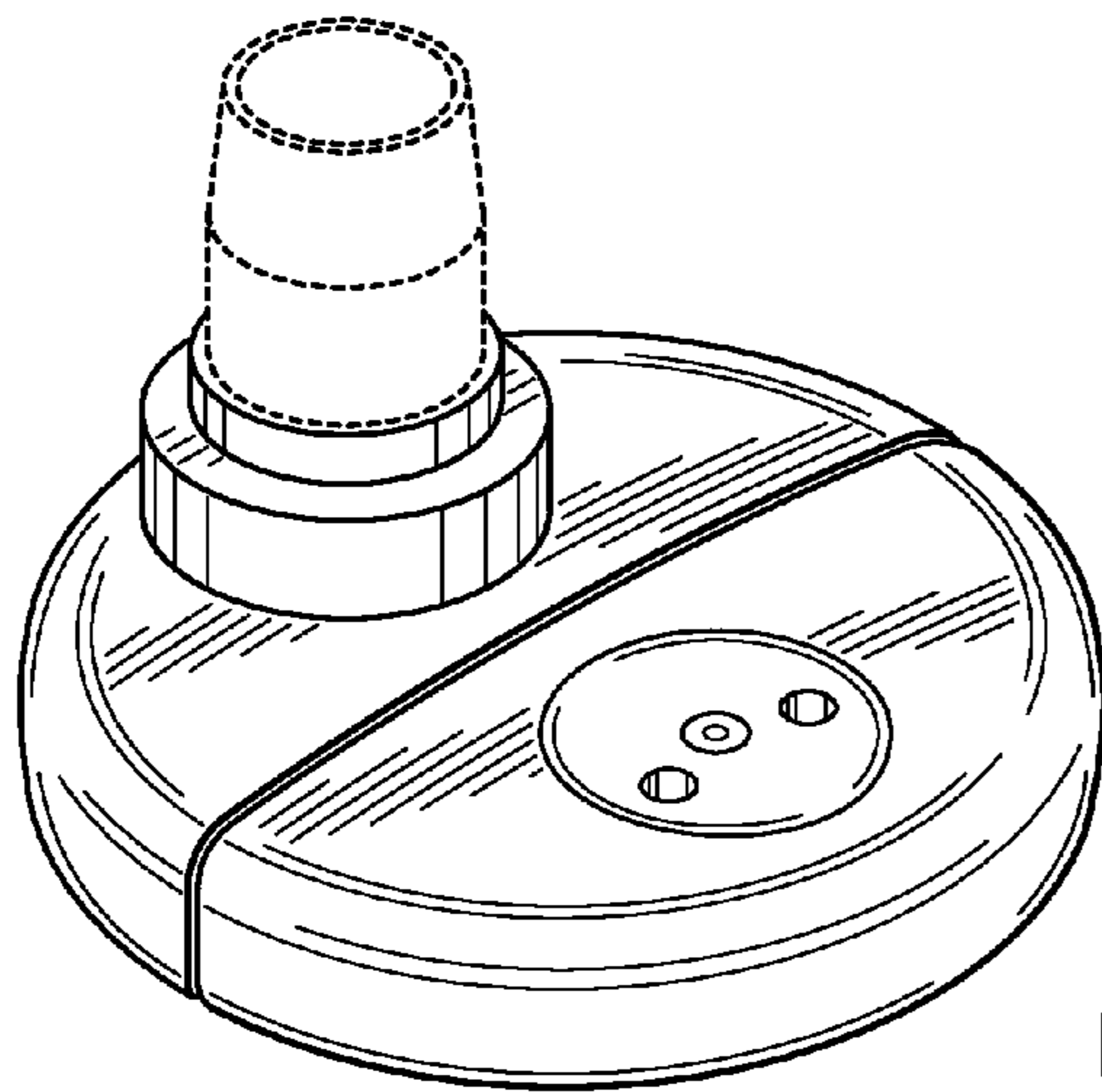


FIG. 8