



US00D642696S

(12) **United States Design Patent**
Blaine et al.

(10) **Patent No.:** **US D642,696 S**

(45) **Date of Patent:** **** Aug. 2, 2011**

(54) **VIBRATING ANESTHESIA DEVICE**

(75) Inventors: **Robert C. Blaine**, Buena Park, CA
(US); **Ashley S. Tilling**, San Juan
Capistrano, CA (US)

(73) Assignee: **Blaine Laboratories, Inc.**, Santa Fe
Springs, CA (US)

(**) Term: **14 Years**

(21) Appl. No.: **29/369,132**

(22) Filed: **Sep. 2, 2010**

(51) **LOC (9) Cl.** **28-03**

(52) **U.S. Cl.** **D24/200**

(58) **Field of Classification Search** D24/210,
D24/209, 200, 158, 176, 144, 133, 147; 362/555,
362/545, 800, 294, 249, 267; D26/29, 37,
D26/39, 41, 104; 606/2-4, 16, 131; 607/88-95;
433/29; 128/203.12, 203.27; 604/279, 112;
601/15, 46, 72, 80

See application file for complete search history.

(56) **References Cited**

U.S. PATENT DOCUMENTS

D331,288 S * 11/1992 Yuen D24/200
5,171,225 A * 12/1992 Sterrett 604/112

D339,419 S * 9/1993 Hood et al. D24/133
D344,801 S * 3/1994 Hughes et al. D24/144
D360,036 S * 7/1995 Doria D24/200
D362,067 S * 9/1995 Chang D24/133
D374,932 S * 10/1996 Engelman D24/176
D438,979 S * 3/2001 Gomes et al. D24/133
6,463,928 B1 * 10/2002 Buisson 128/203.12
D508,296 S * 8/2005 Dibnah et al. D24/147
D558,396 S * 12/2007 Sierra et al. D24/147
D609,361 S * 2/2010 McGarry et al. D24/209
7,748,070 B2 * 7/2010 Chan et al. 433/29

* cited by examiner

Primary Examiner — David Muller

(74) *Attorney, Agent, or Firm* — McKee, Voorhees & Sease,
P.L.C.

(57) **CLAIM**

We claim the ornamental design for a vibrating anesthesia
device, substantially as shown and described.

DESCRIPTION

FIG. 1 is a front perspective view of the vibrating anesthesia
device of the present invention.

FIG. 2 is a rear perspective view of the device.

FIG. 3 is a left side elevation view of the device.

FIG. 4 is a right side elevation view of the device.

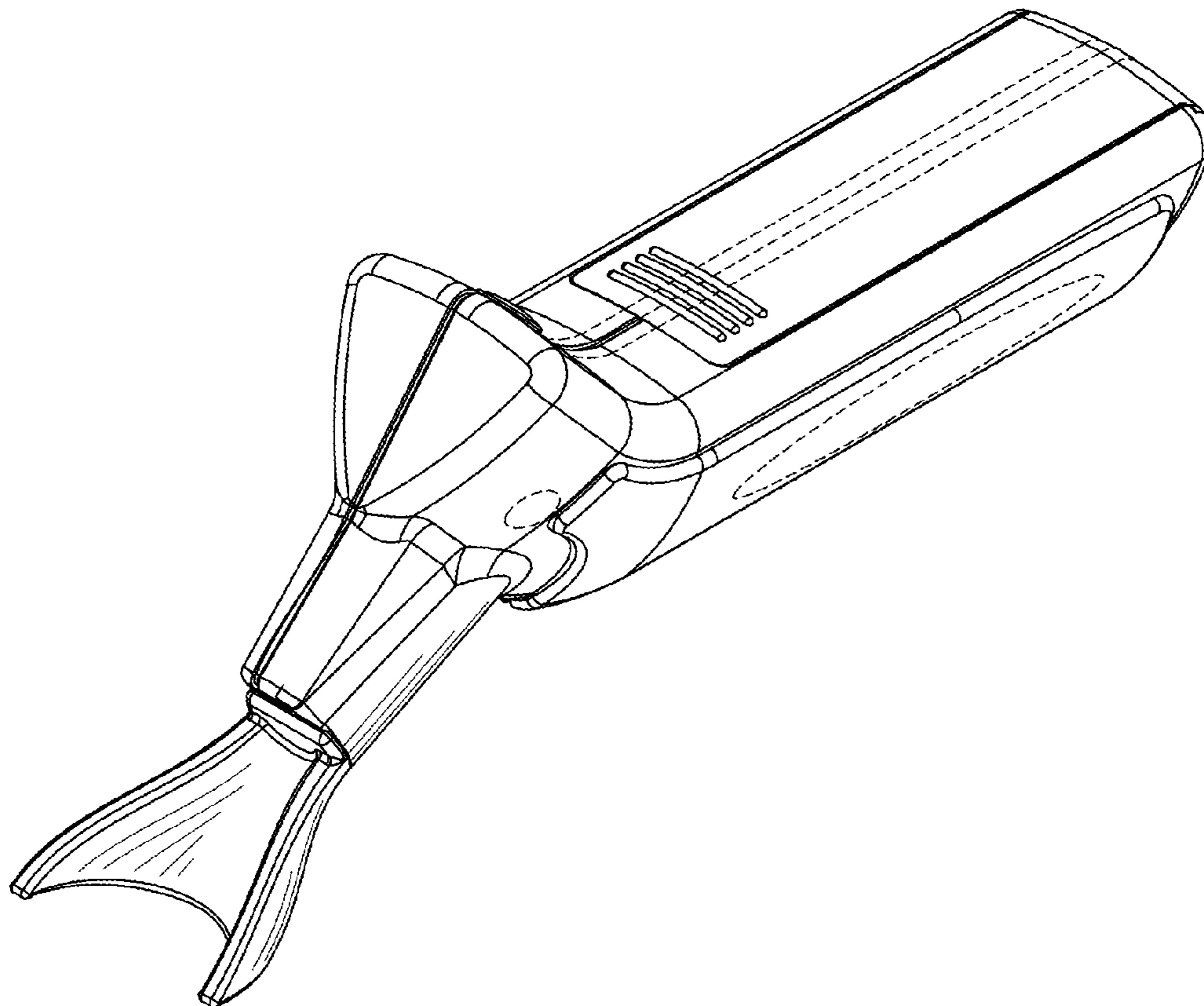
FIG. 5 is a rear elevation view of the device.

FIG. 6 is a front elevation view of the device.

FIG. 7 is a top plan view of the device; and,

FIG. 8 is a bottom plan view of the device.

1 Claim, 3 Drawing Sheets



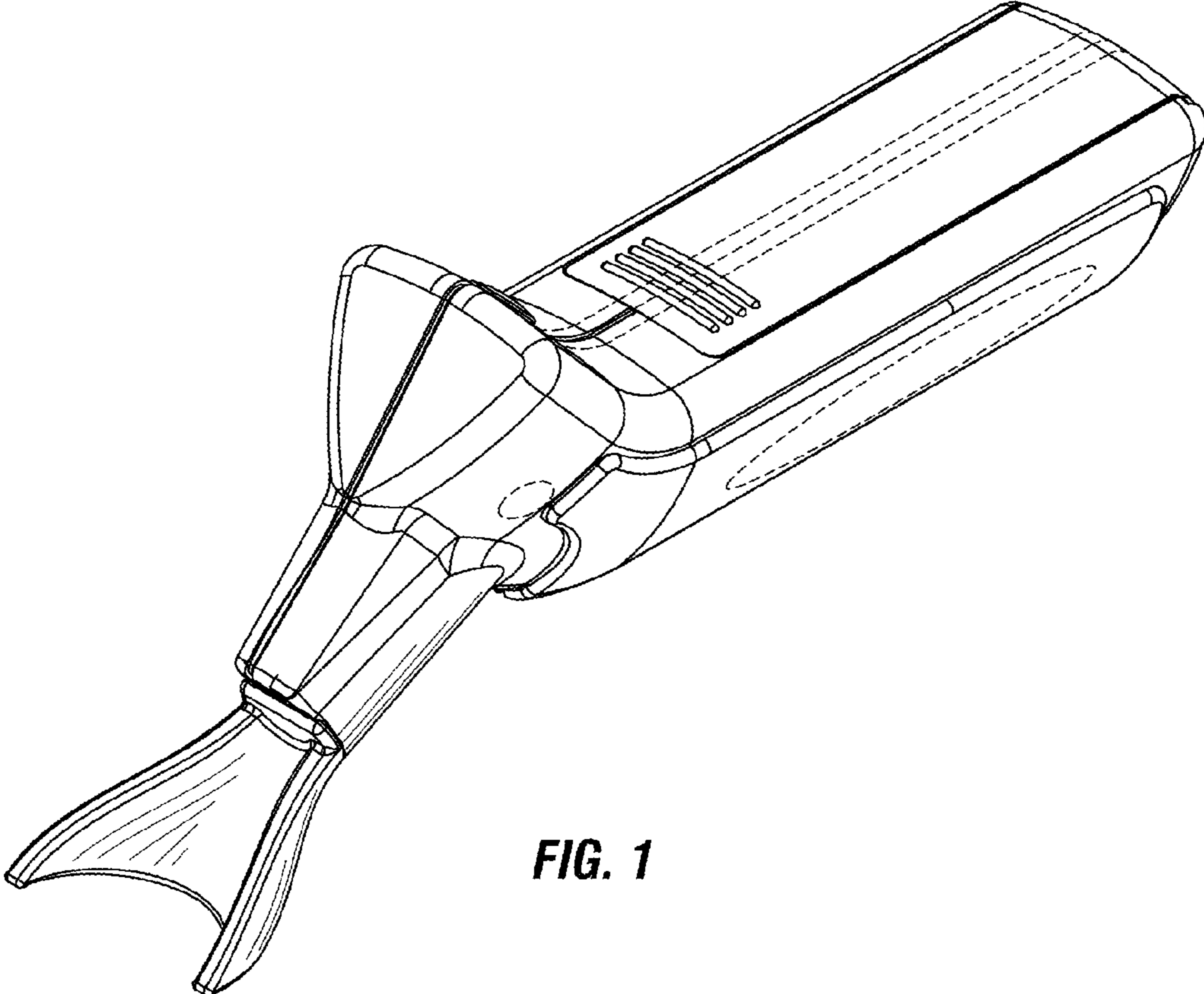


FIG. 1

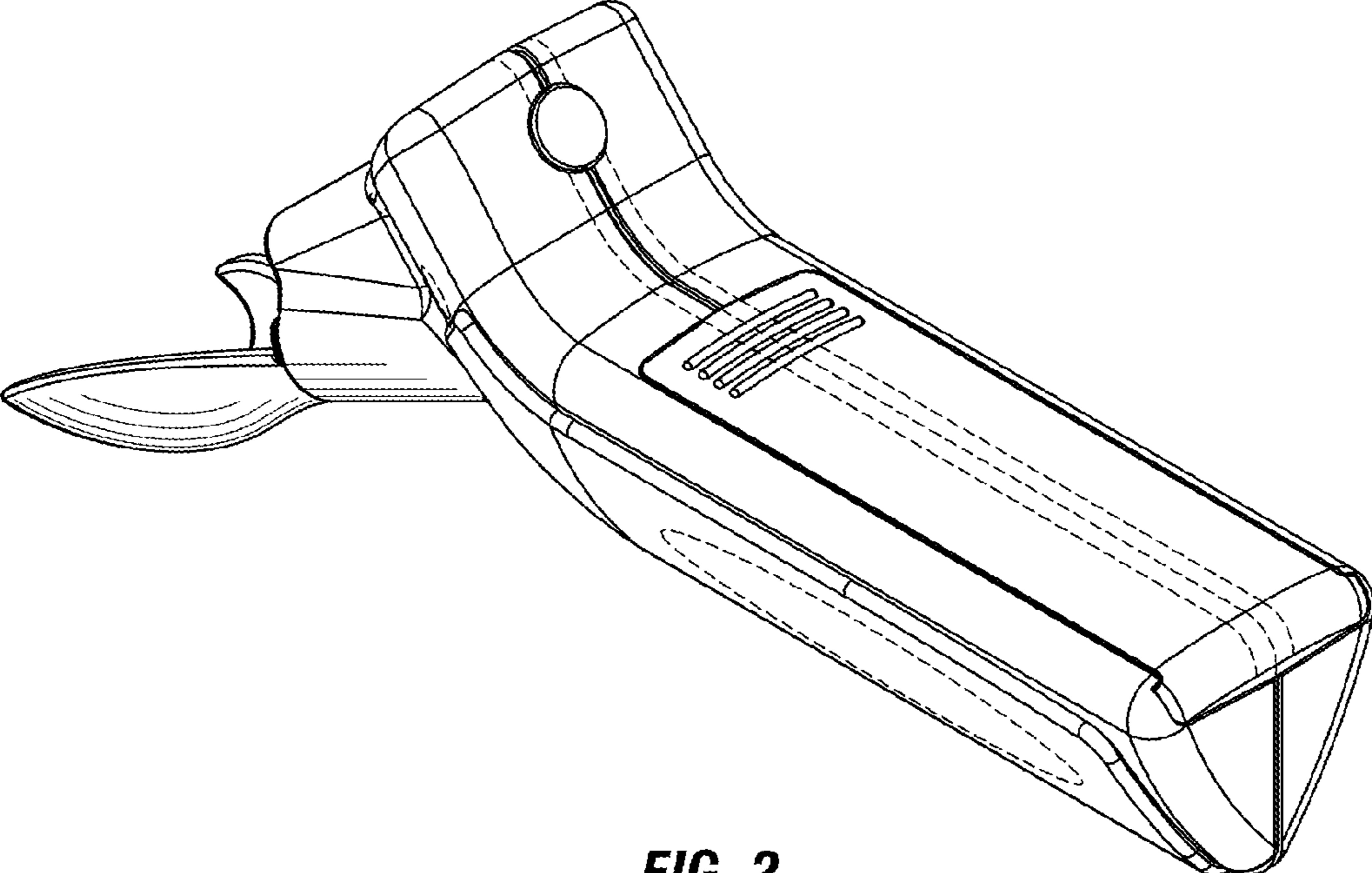


FIG. 2

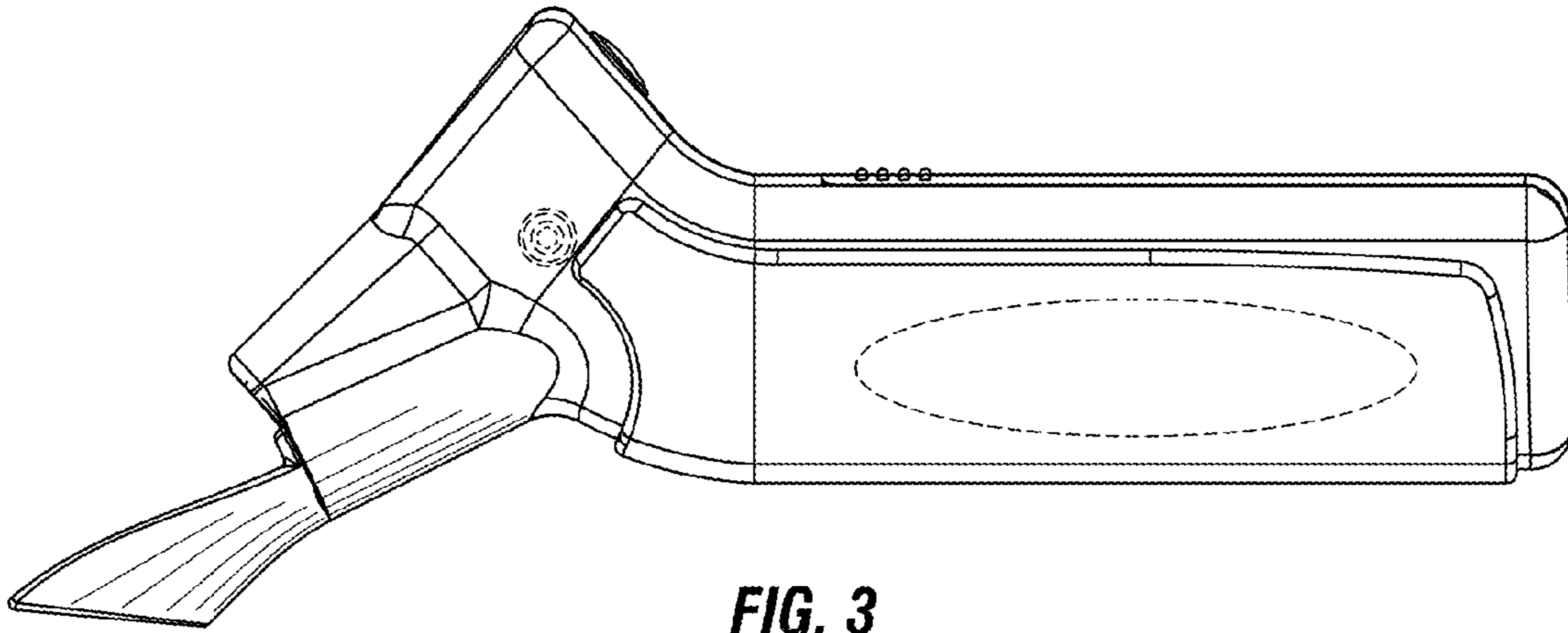


FIG. 3

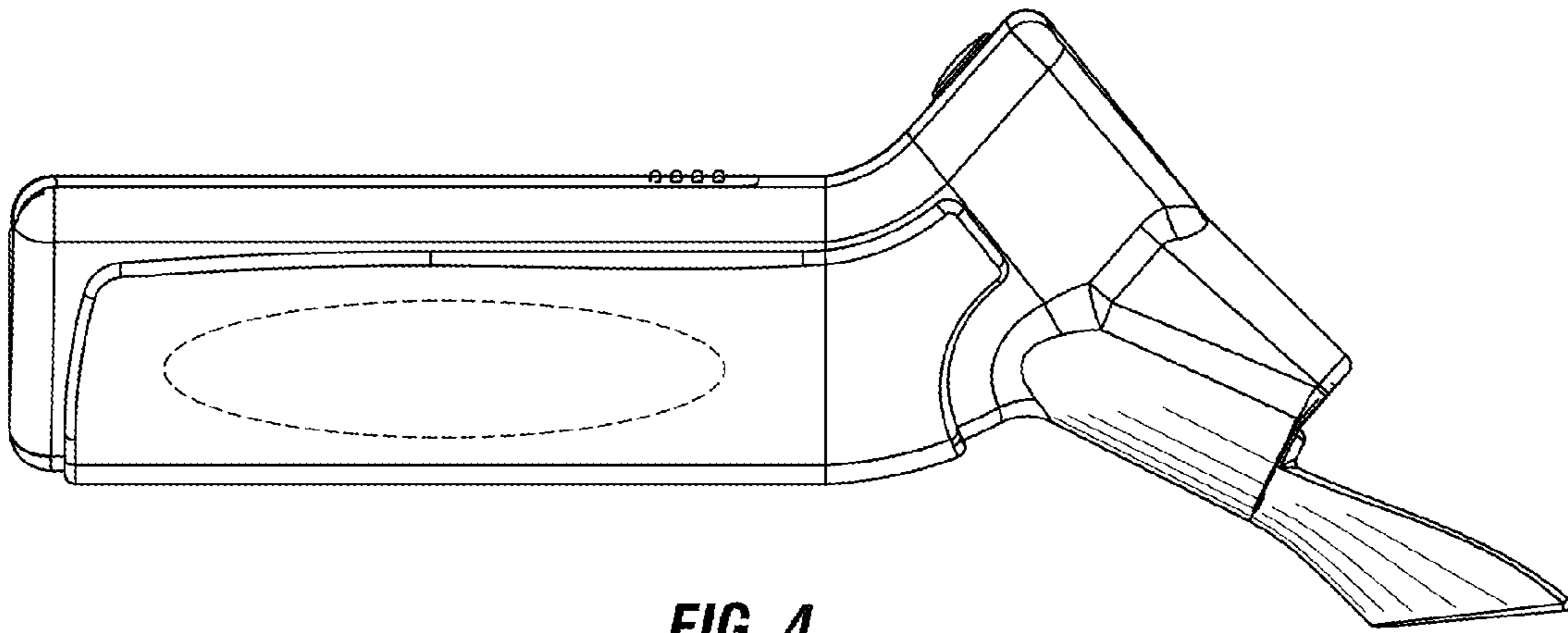


FIG. 4

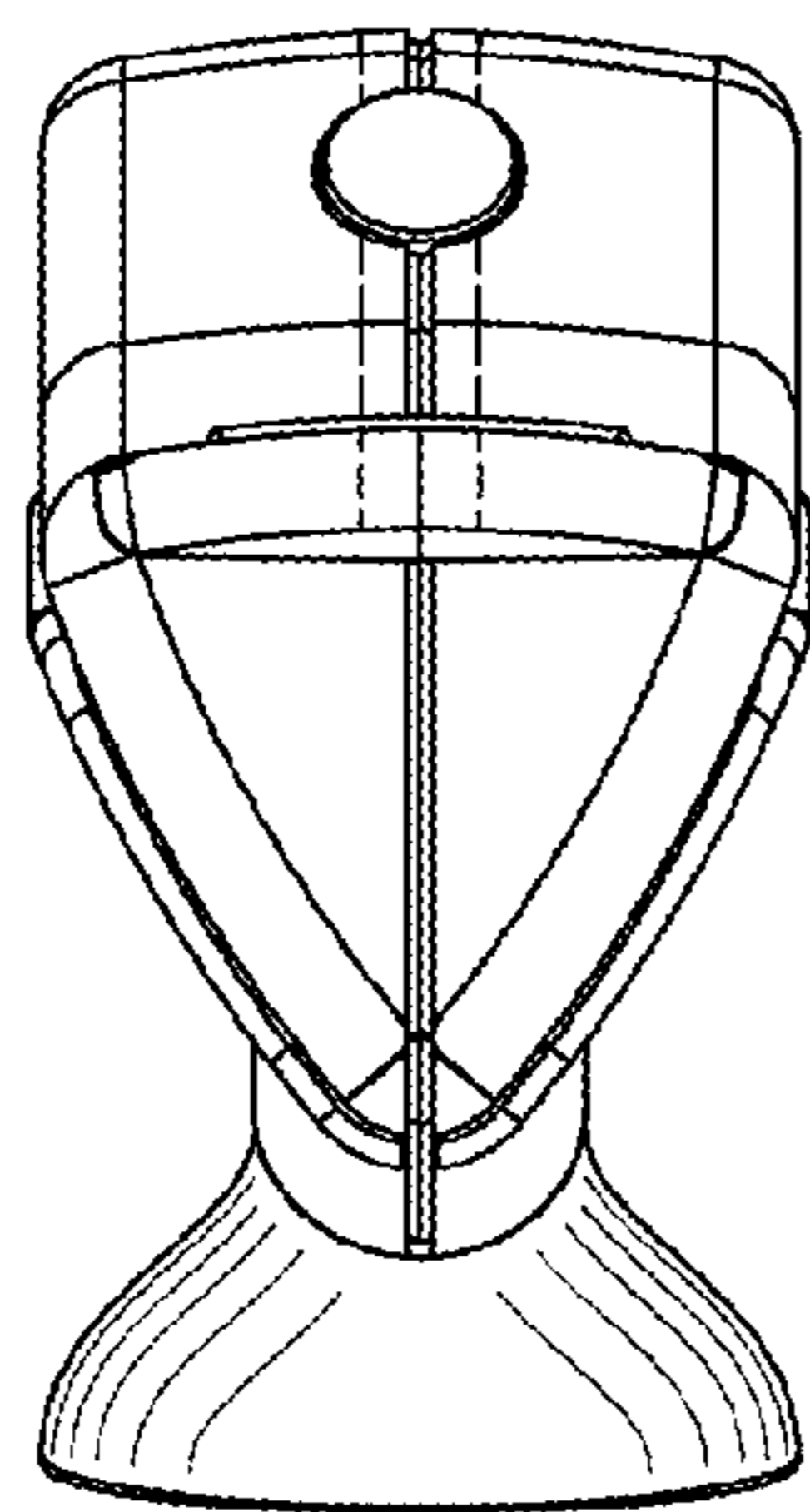


FIG. 5

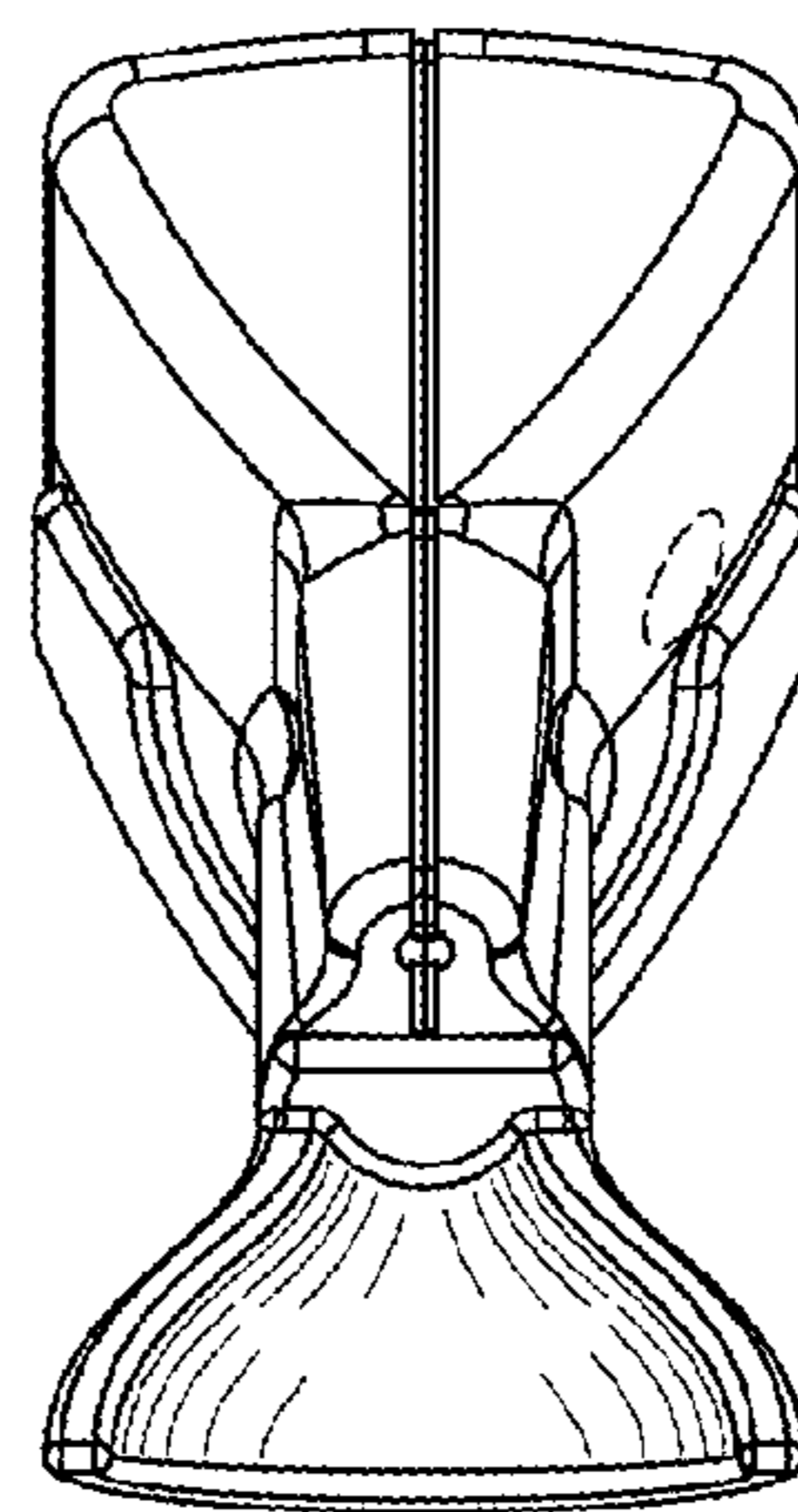


FIG. 6

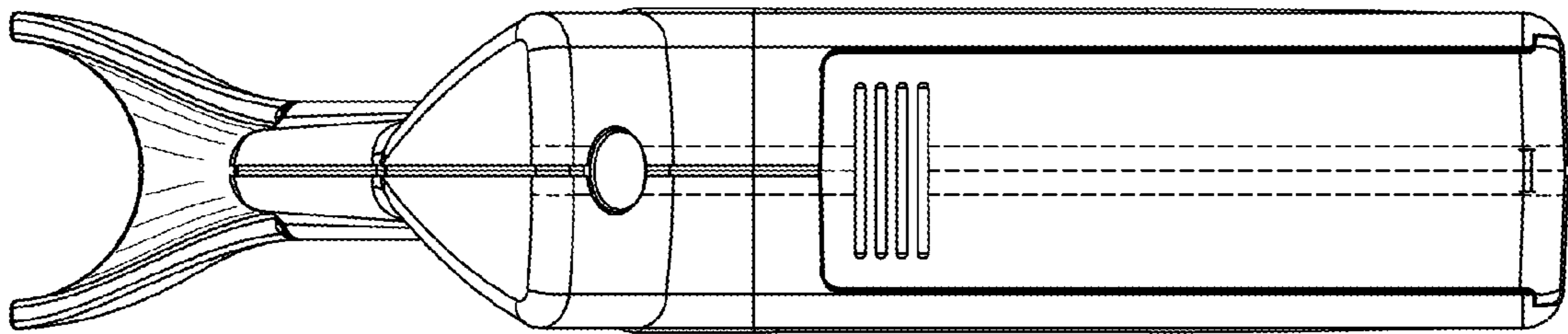


FIG. 7

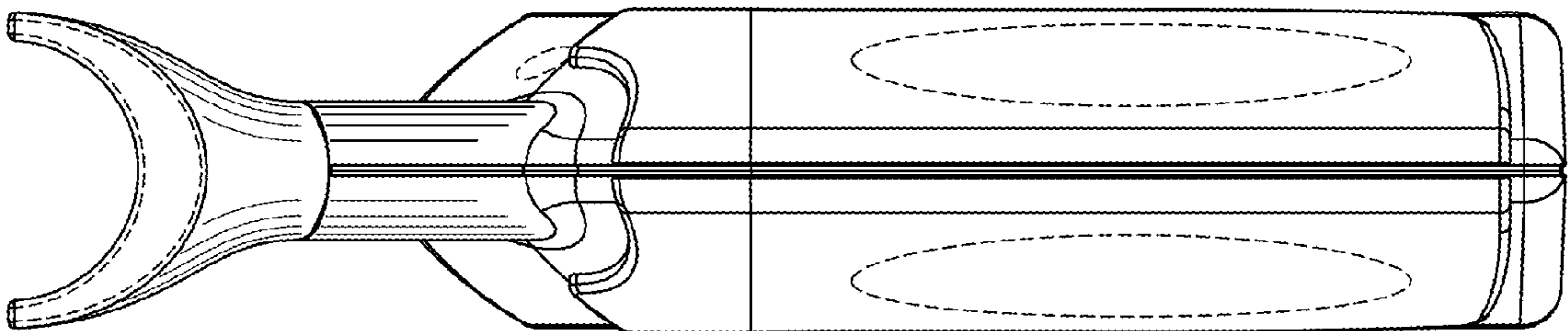


FIG. 8