



US00D642690S

(12) **United States Design Patent**  
**Altmann et al.**

(10) **Patent No.:** **US D642,690 S**

(45) **Date of Patent:** **\*\* Aug. 2, 2011**

(54) **ELECTRONIC PAIN DIARY**

(75) Inventors: **Florian Altmann**, Munich (DE); **Fabian Nehne**, Munich (DE)

(73) Assignee: **Novartis AG**, Basel (CH)

(\*\*) Term: **14 Years**

(21) Appl. No.: **29/362,406**

(22) Filed: **May 25, 2010**

(51) **LOC (9) Cl.** ..... **24-01**

(52) **U.S. Cl.** ..... **D24/186**

(58) **Field of Classification Search** ..... D24/127,  
D24/133, 186-187, 200, 206-207, 214, 231-232;  
600/300, 301, 368, 372, 481, 529, 544, 554,  
600/561; 607/4, 5, 9, 30

See application file for complete search history.

(56) **References Cited**

**U.S. PATENT DOCUMENTS**

D320,453 S *	10/1991	Von Winckler	.....	D24/200
D322,677 S *	12/1991	Clark	.....	D24/207
D497,996 S *	11/2004	Rodriguez et al.	.....	D24/206
D520,137 S *	5/2006	Melendez et al.	.....	D24/133
D553,248 S *	10/2007	Nguyen	.....	D24/186
D559,987 S *	1/2008	Strother et al.	.....	D24/187
D597,211 S *	7/2009	Ewing et al.	.....	D24/187
D607,116 S *	12/2009	Morganstern	.....	D24/214
D613,868 S *	4/2010	Lhuillery et al.	.....	D24/187

\* cited by examiner

*Primary Examiner* — T. Chase Nelson

*Assistant Examiner* — Mark Cavanna

(74) *Attorney, Agent, or Firm* — Design IP

(57) **CLAIM**

The ornamental design for an electronic pain diary, as shown and described.

**DESCRIPTION**

FIG. 1 is a front top perspective view of a electronic pain diary showing our design;

FIG. 2 is a bottom orthographic view thereof;

FIG. 3 is a top orthographic view thereof;

FIG. 4 is a front bottom perspective view thereof;

FIG. 5 is a front orthographic view thereof;

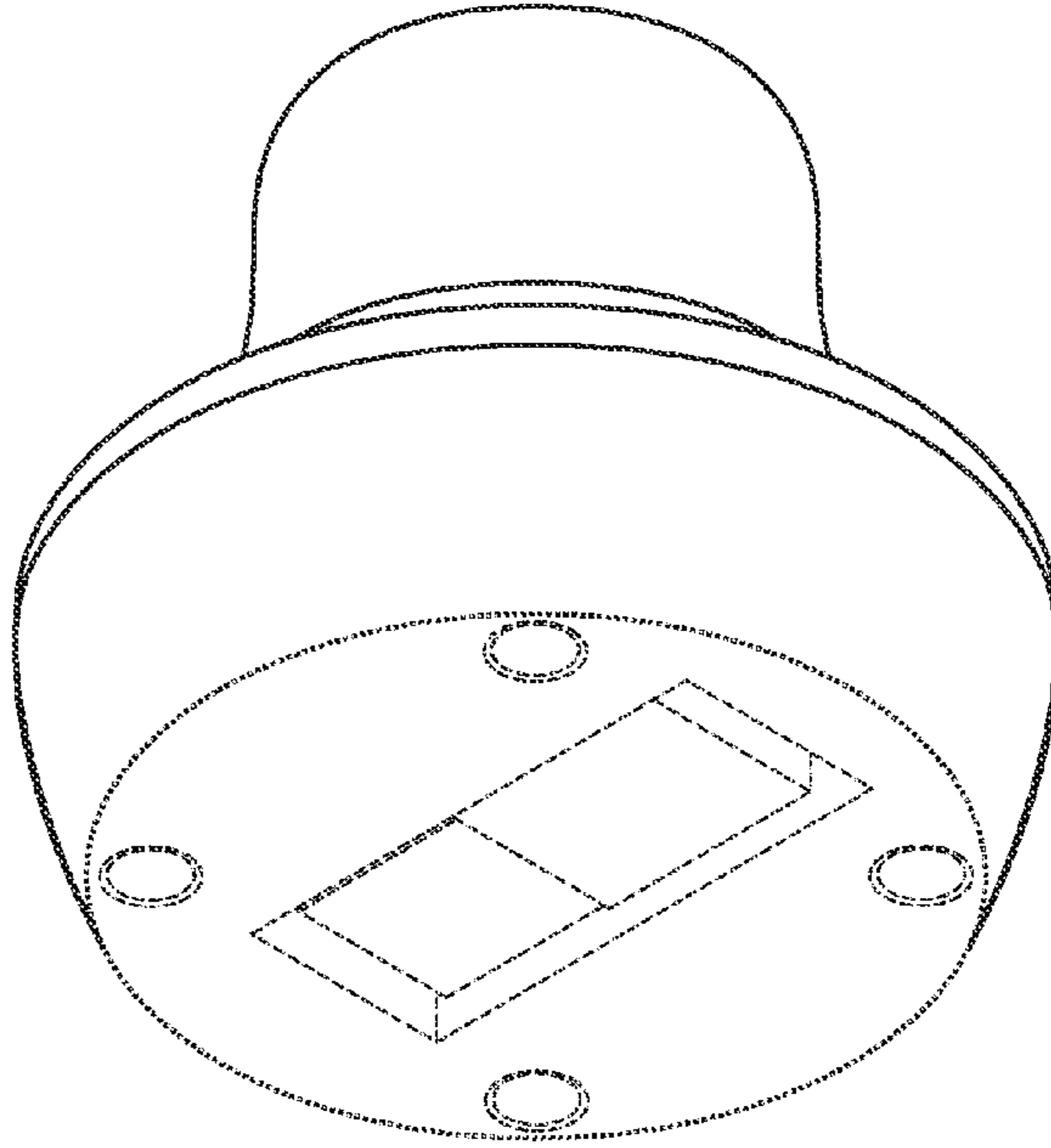
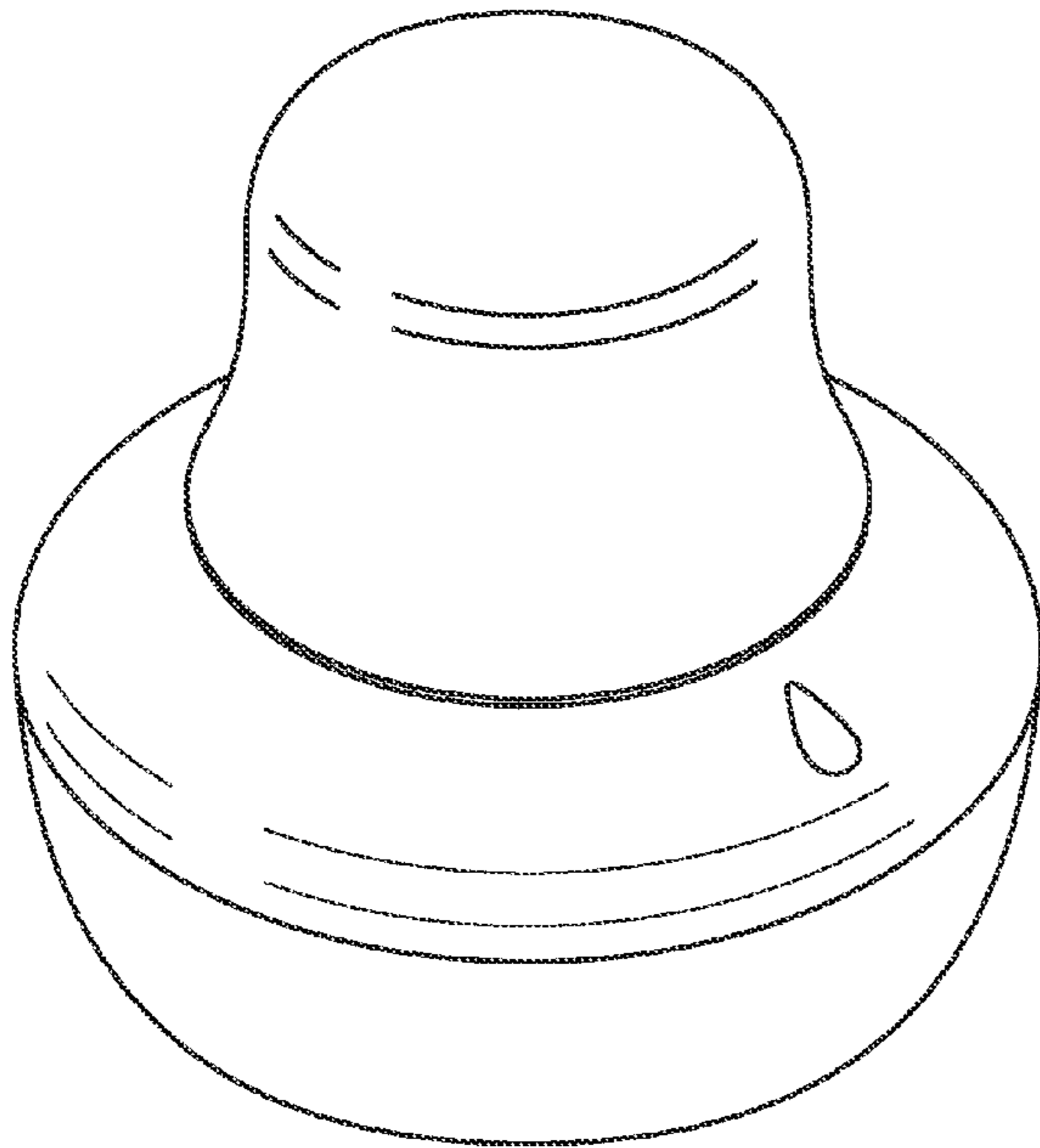
FIG. 6 is a rear orthographic view thereof;

FIG. 7 is a left side orthographic view thereof; and,

FIG. 8 is a right side orthographic view thereof.

The broken lines shown in FIGS. 2 and 4 represent environmental subject matter and form no part of claimed design. The dotted lines shown in FIGS. 2 and 4 represent a border between claimed and unclaimed subject matter, the area within the perimeter defined by the each dotted line being unclaimed.

**1 Claim, 4 Drawing Sheets**



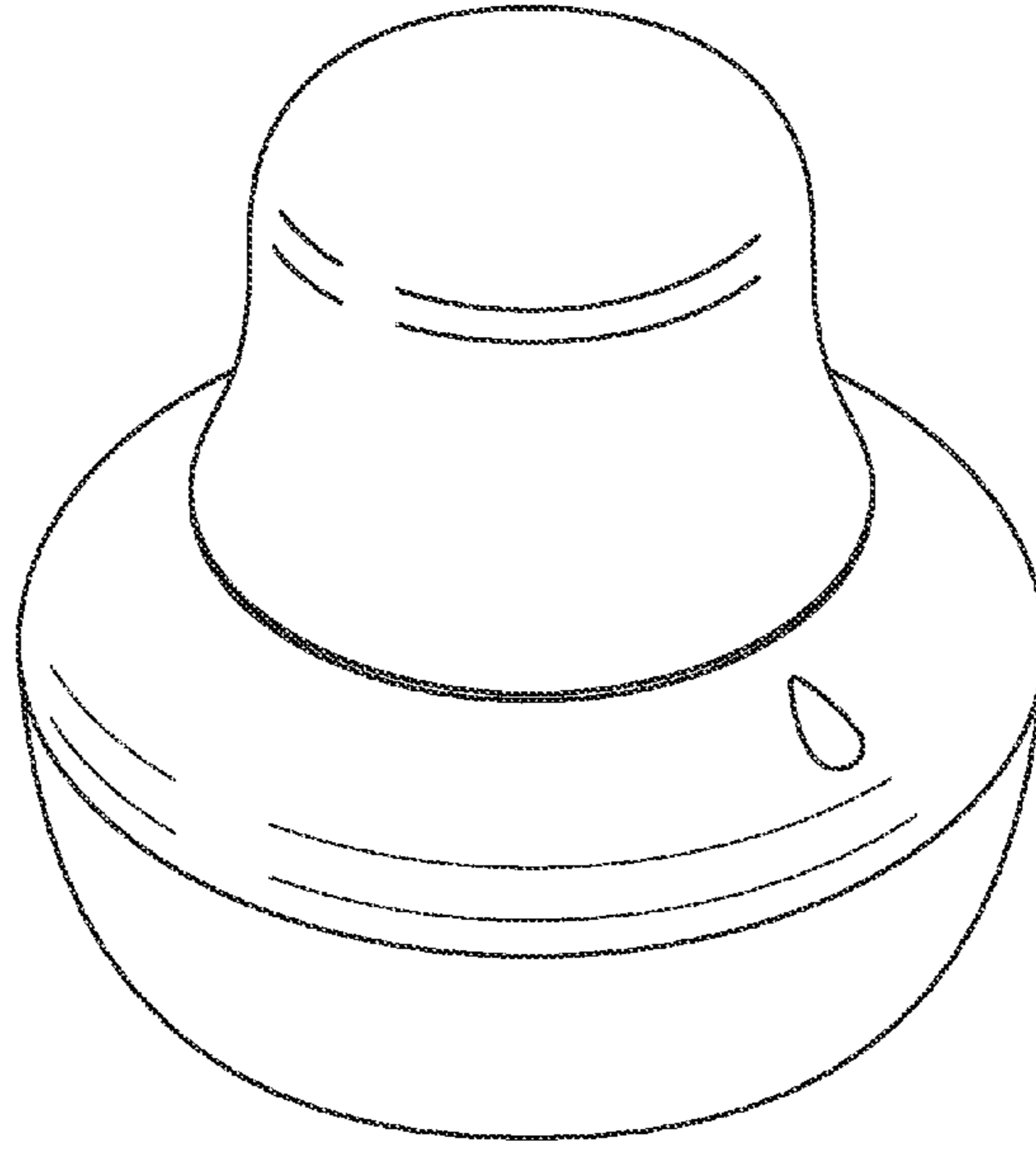


FIG. 1

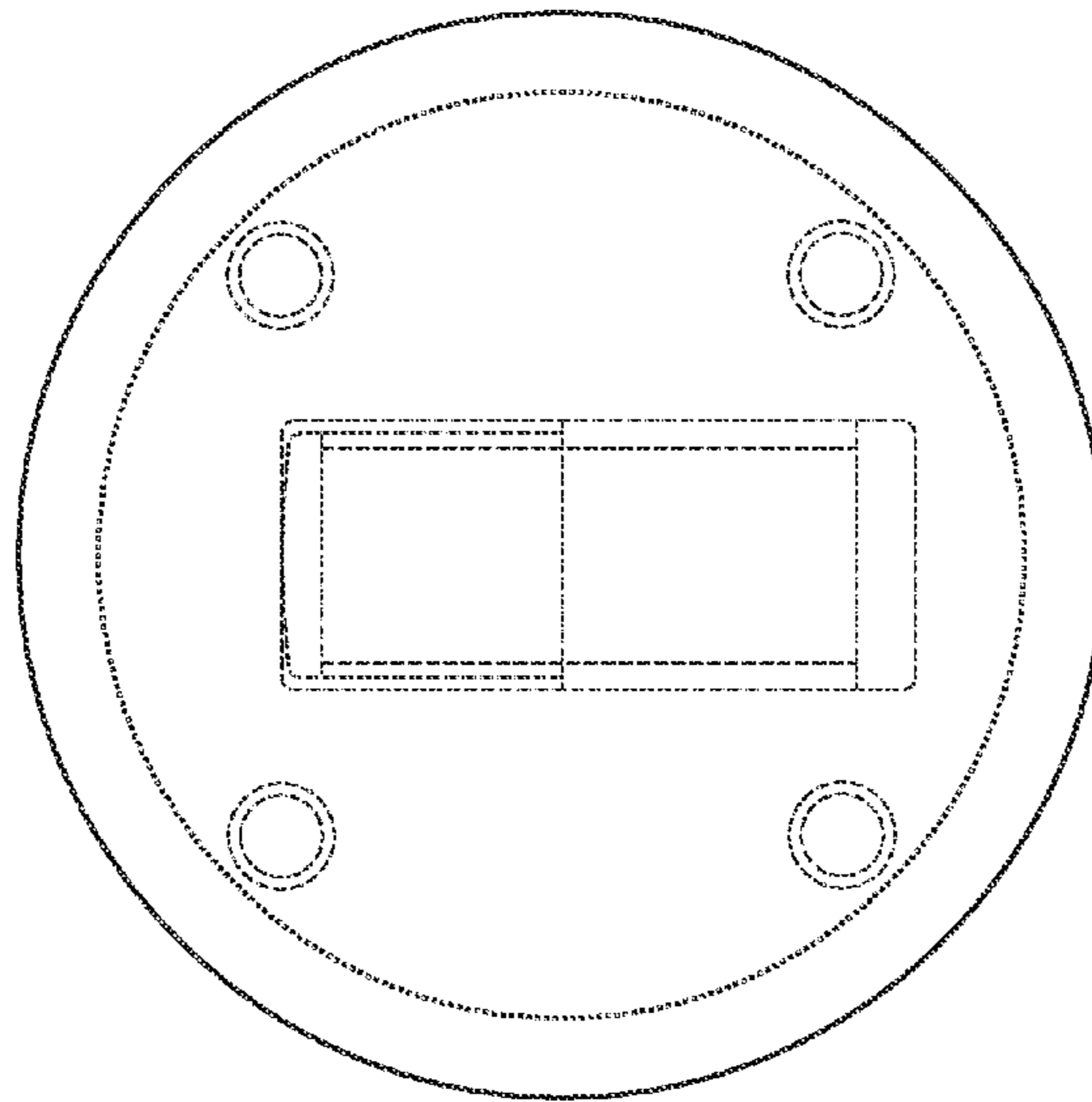


FIG. 2

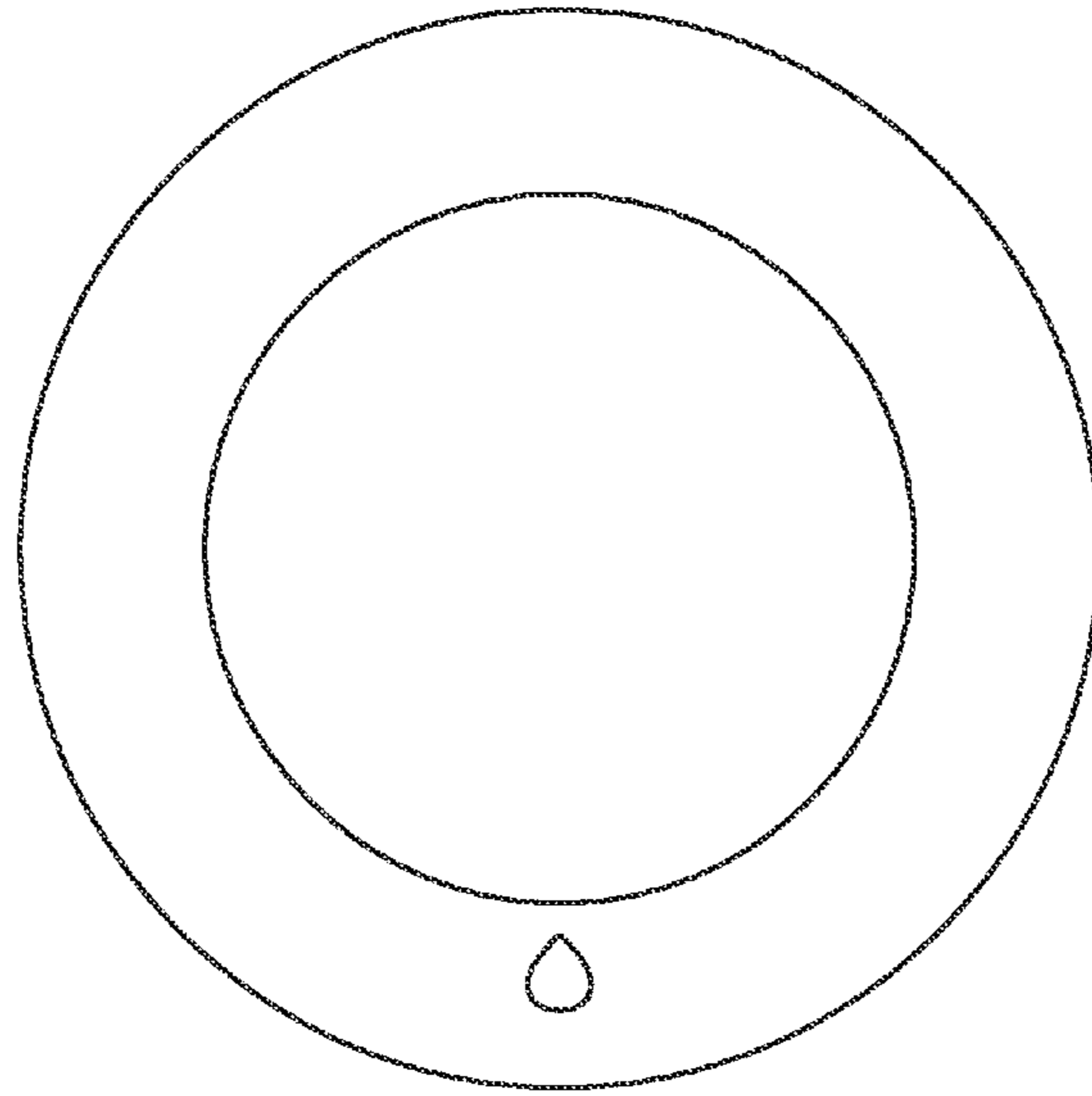


FIG. 3

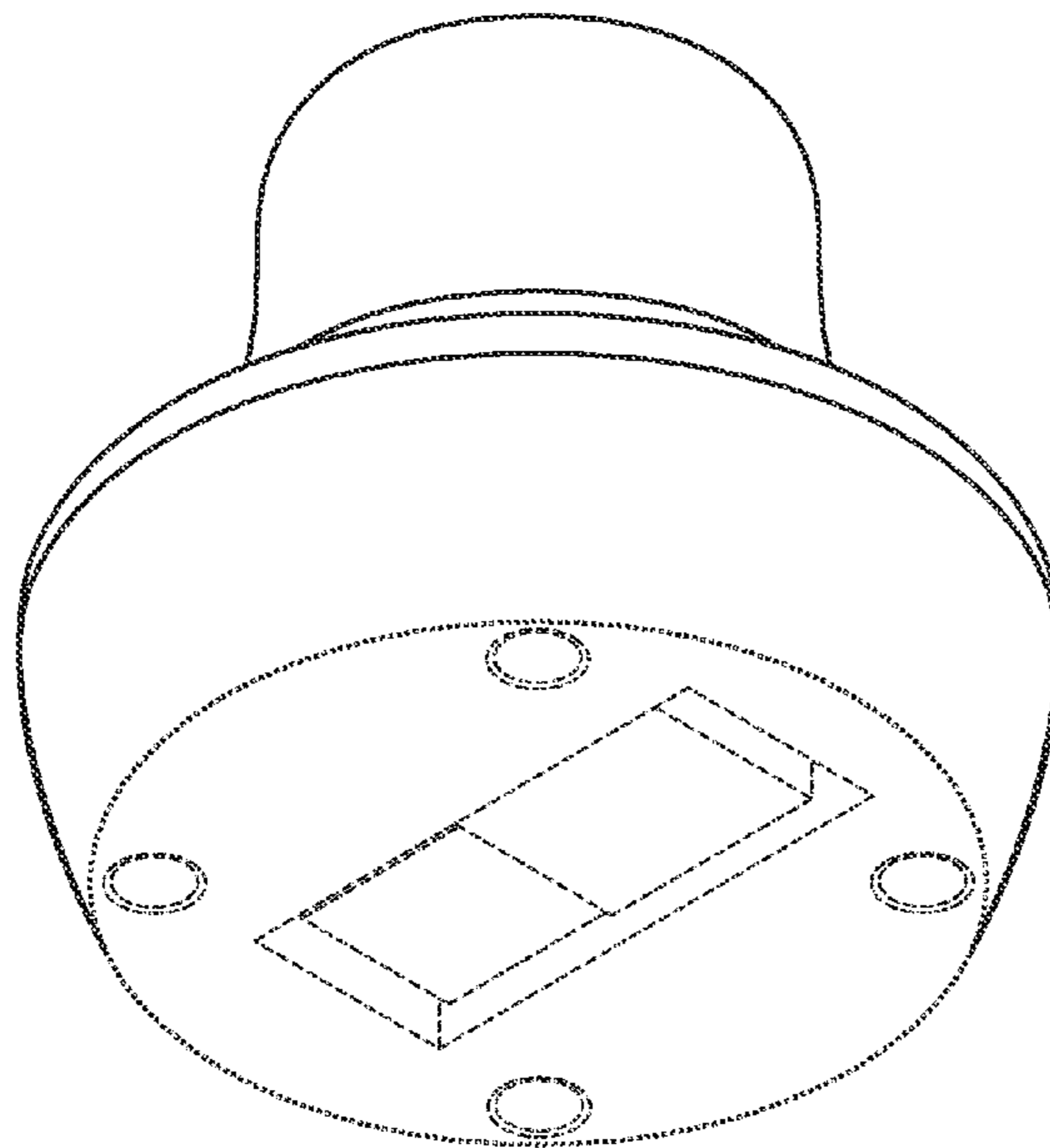


FIG. 4

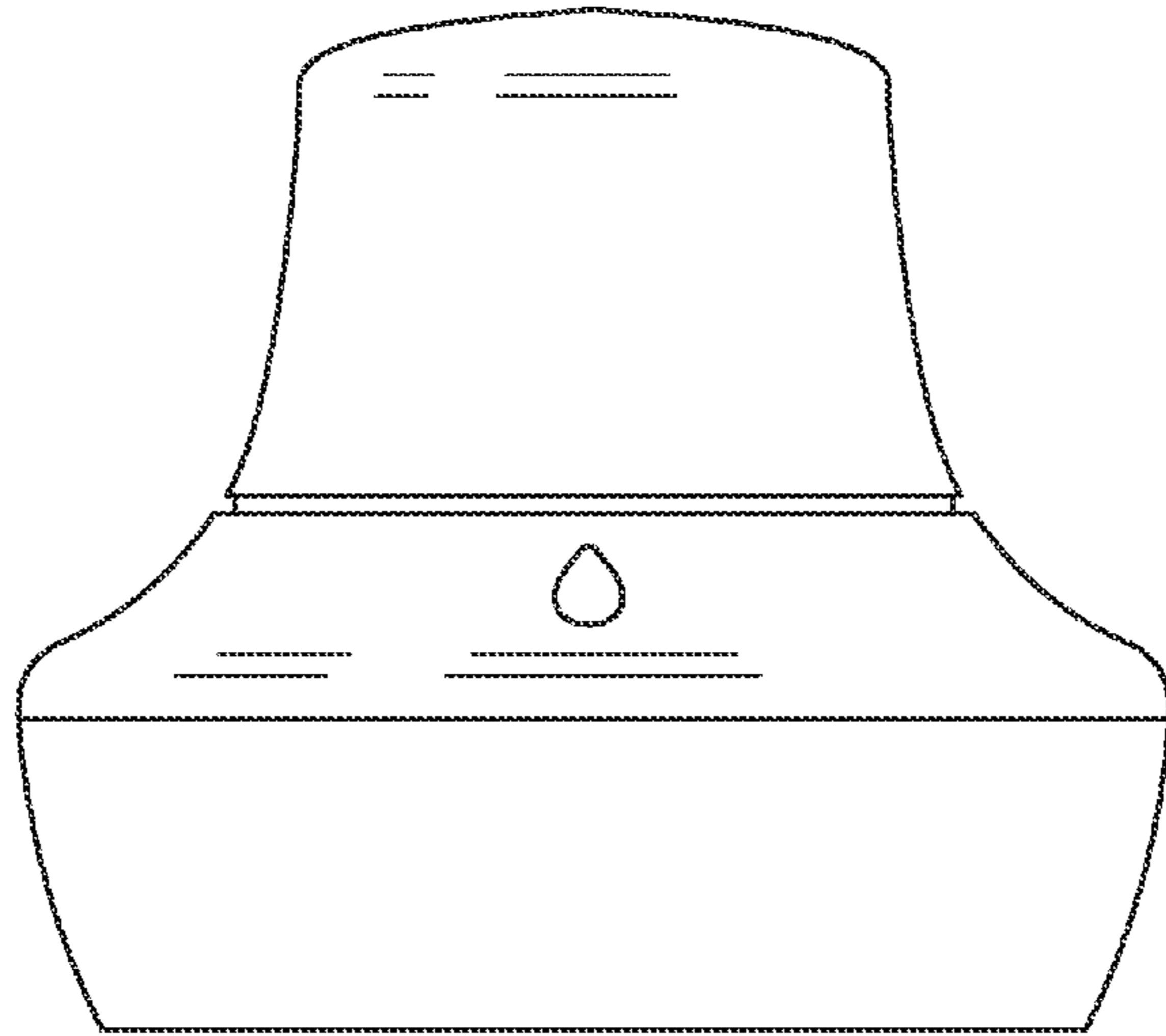


FIG. 5

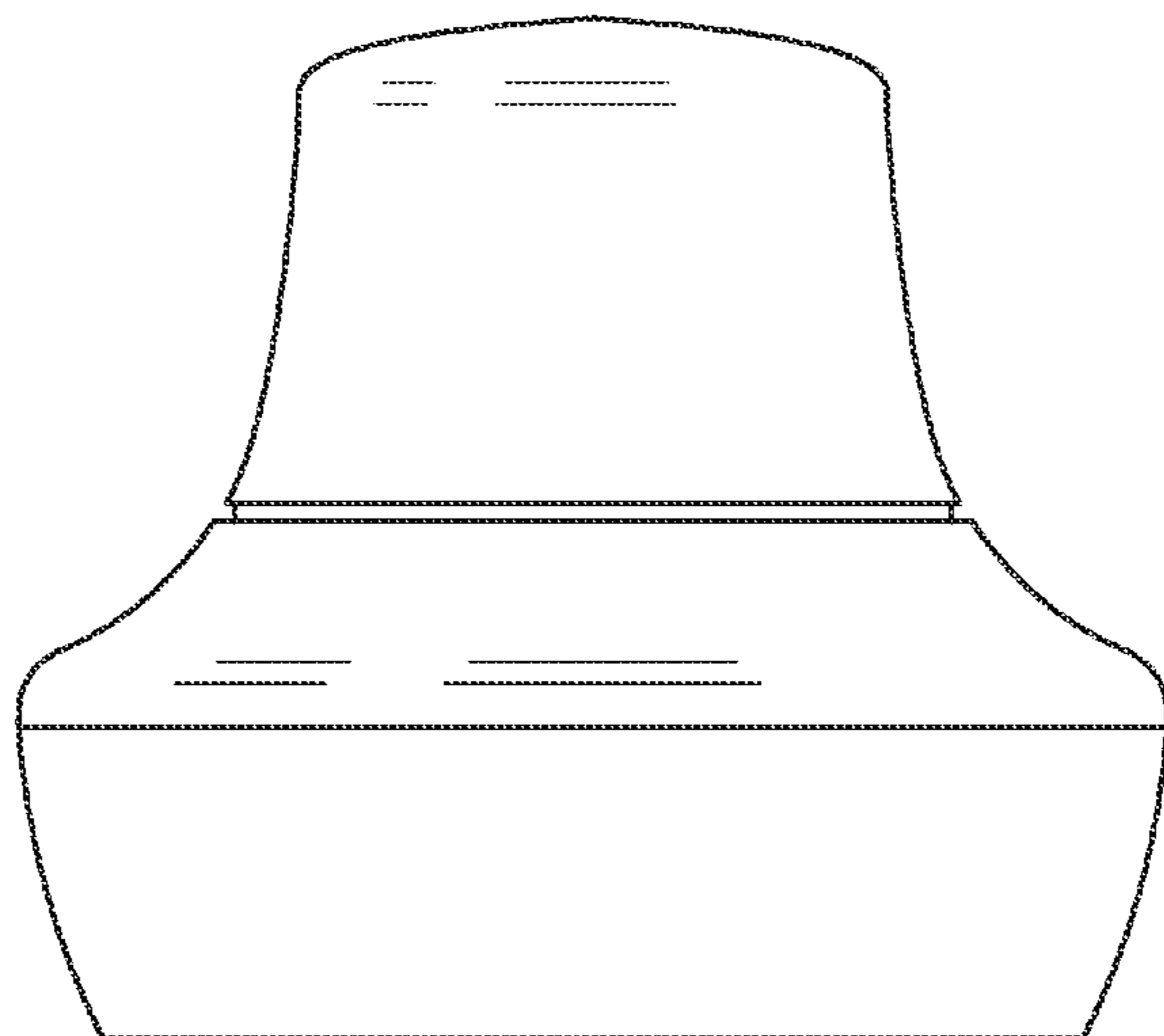
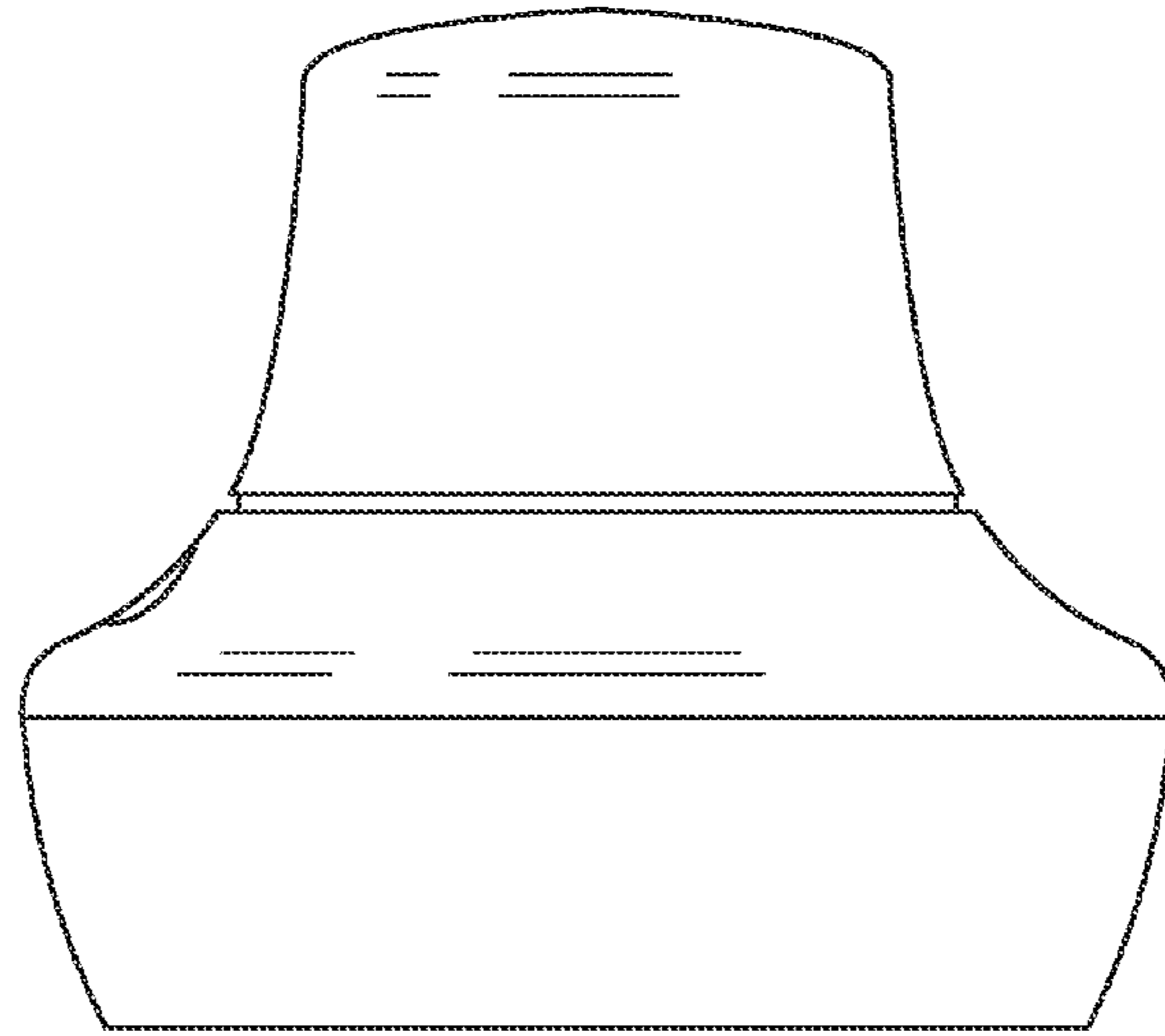
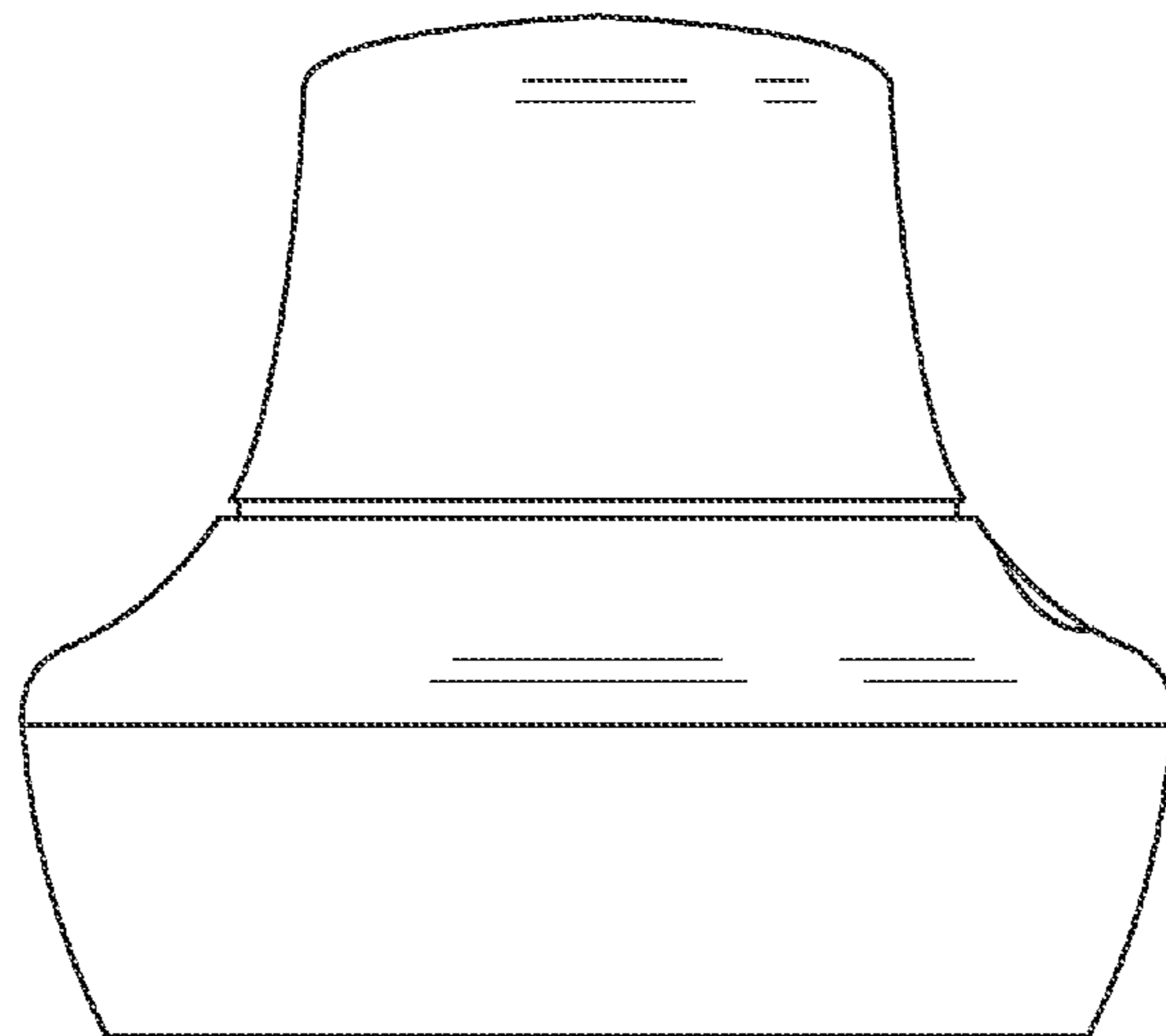


FIG. 6



*FIG. 7*



*FIG. 8*