



US00D642688S

(12) **United States Design Patent**  
**Binder**

(10) **Patent No.:** **US D642,688 S**

(45) **Date of Patent:** **\*\* Aug. 2, 2011**

(54) **SPINOUS PROCESS FUSION DEVICE**

(75) **Inventor:** **Lawrence John Binder**, Miami, FL  
(US)

(73) **Assignee:** **Binder Biomedical, Inc.**, Boca Raton,  
FL (US)

(\*\*) **Term:** **14 Years**

(21) **Appl. No.:** **29/356,866**

(22) **Filed:** **Mar. 3, 2010**

(51) **LOC (9) Cl.** ..... **24-03**

(52) **U.S. Cl.** ..... **D24/155**

(58) **Field of Classification Search** ..... D24/155,  
D24/156, 157; 623/17.11, 16.71; D8/391-393,  
D8/382, 354; 606/246, 247, 248, 249, 258,  
606/267, 280, 70, 71, 283, 299, 166, 903,  
606/905, 906, 286, 396, 17.13

See application file for complete search history.

(56) **References Cited**

**U.S. PATENT DOCUMENTS**

D248,771 S \* 8/1978 Groth et al. .... D24/155  
5,443,514 A \* 8/1995 Steffee ..... 128/898  
D503,801 S \* 4/2005 Jackson ..... D24/155

D553,744 S \* 10/2007 Park ..... D24/155  
D565,179 S \* 3/2008 Kubo et al. .... D24/155  
2004/0078043 A1\* 4/2004 Masini ..... 606/88

\* cited by examiner

*Primary Examiner* — Ian Simmons

*Assistant Examiner* — Charles Hanson

(74) *Attorney, Agent, or Firm* — J. Mark Bledsoe; Mark  
Swanson; Bradley Arant Boult Cummings

(57) **CLAIM**

I claim the ornamental design for a spinous process fusion  
device, as shown and described.

**DESCRIPTION**

FIG. 1 is a front perspective view of the spinous process  
fusion device;

FIG. 2 is a back perspective view of the spinous process  
fusion device;

FIG. 3 is a top view of the spinous process fusion device;

FIG. 4 is a front view of the spinous process fusion device;

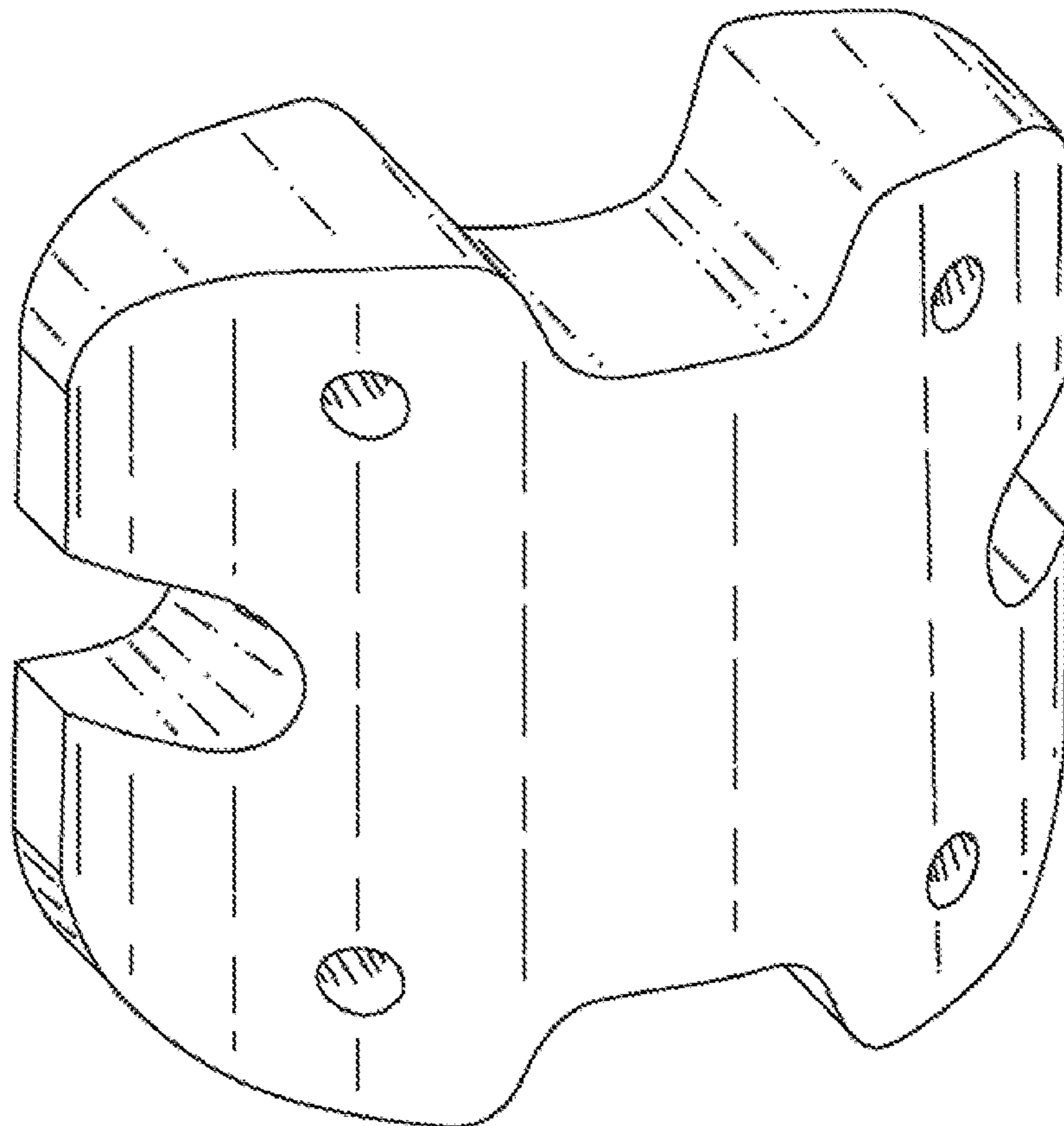
FIG. 5 is a right view of the spinous process fusion device;

FIG. 6 is a back view of the spinous process fusion device;

FIG. 7 is a left view of the spinous process fusion device; and,

FIG. 8 is a bottom view of the spinous process fusion device.

**1 Claim, 3 Drawing Sheets**



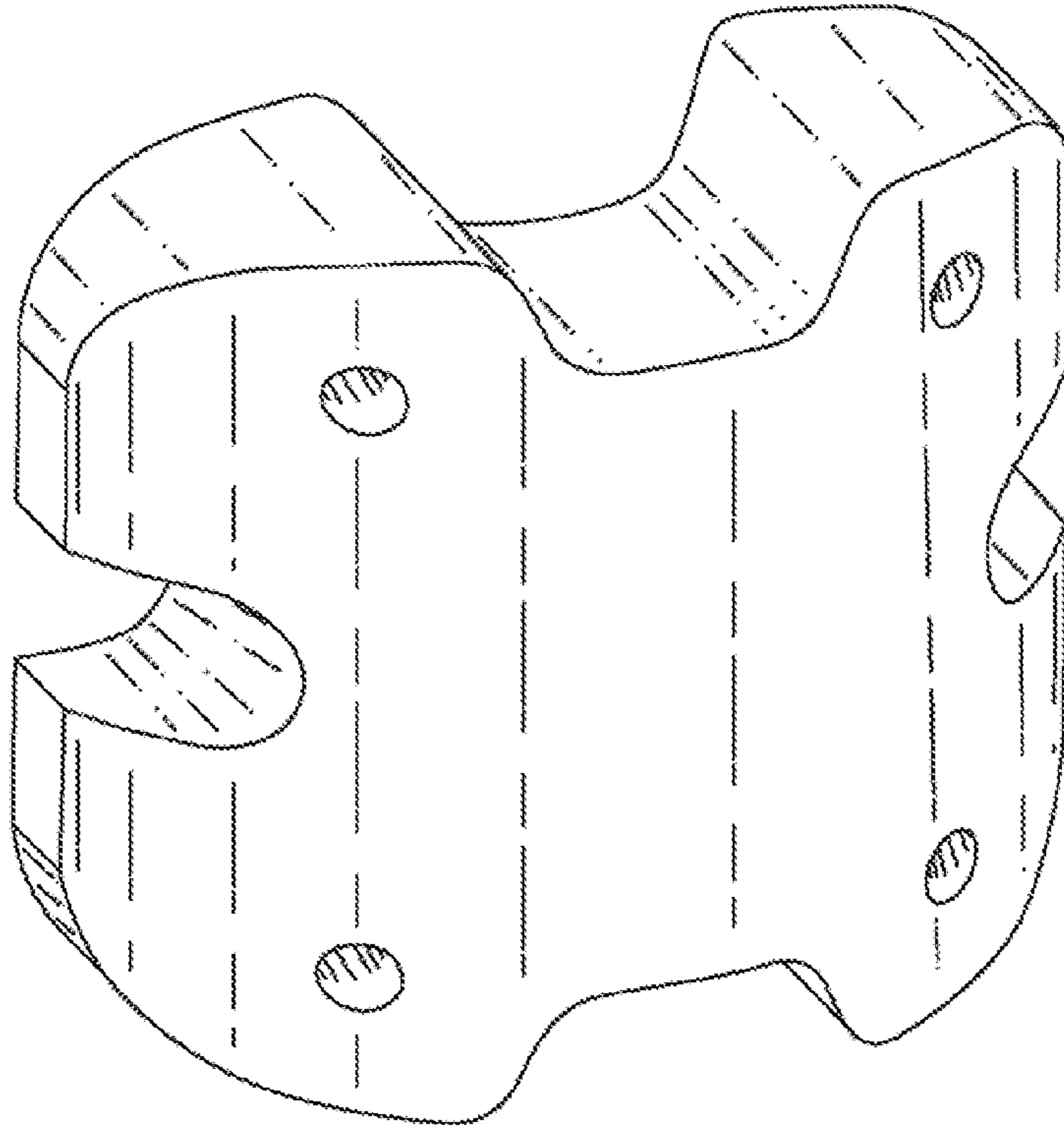


FIG. 1

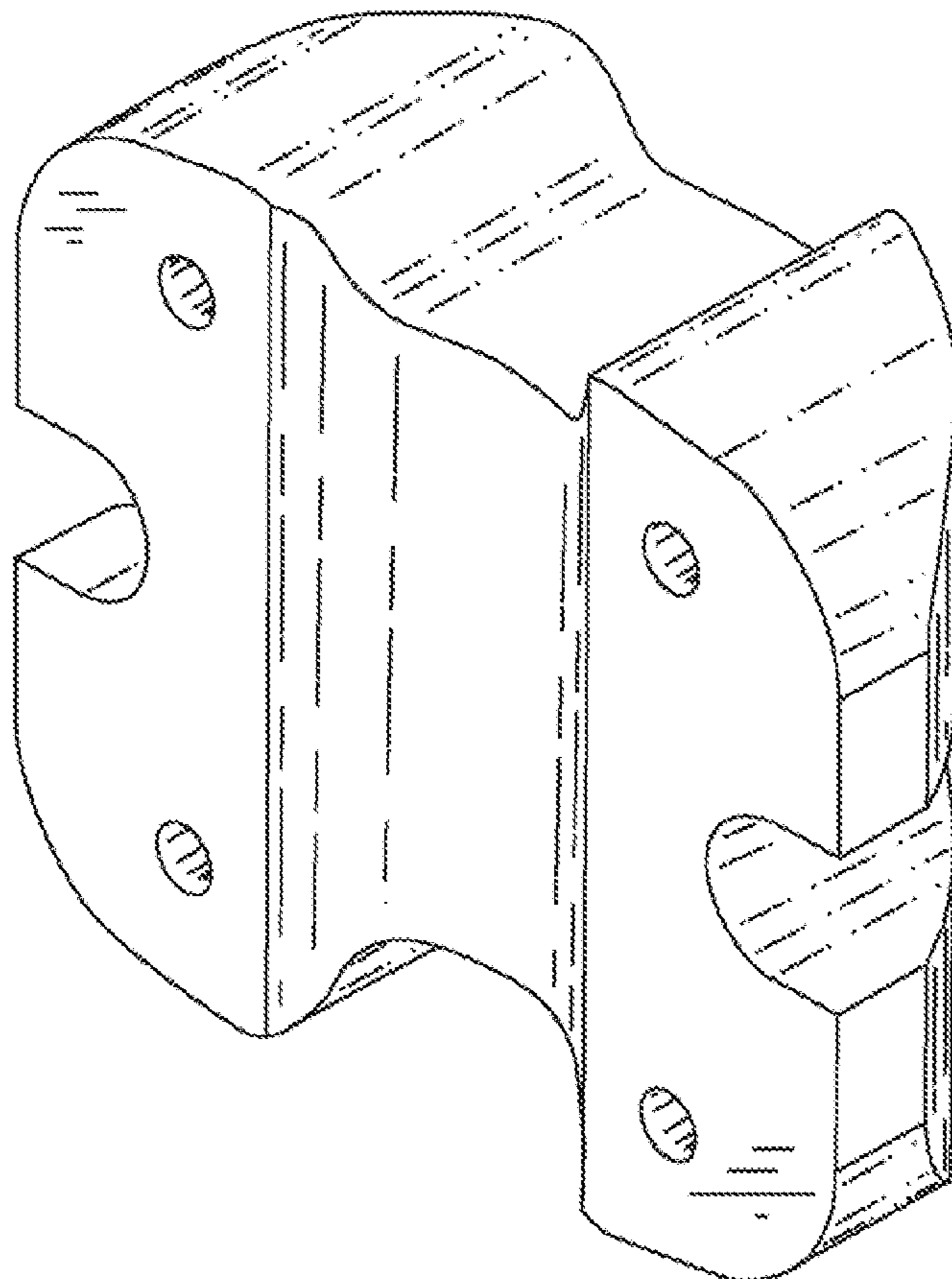


FIG. 2

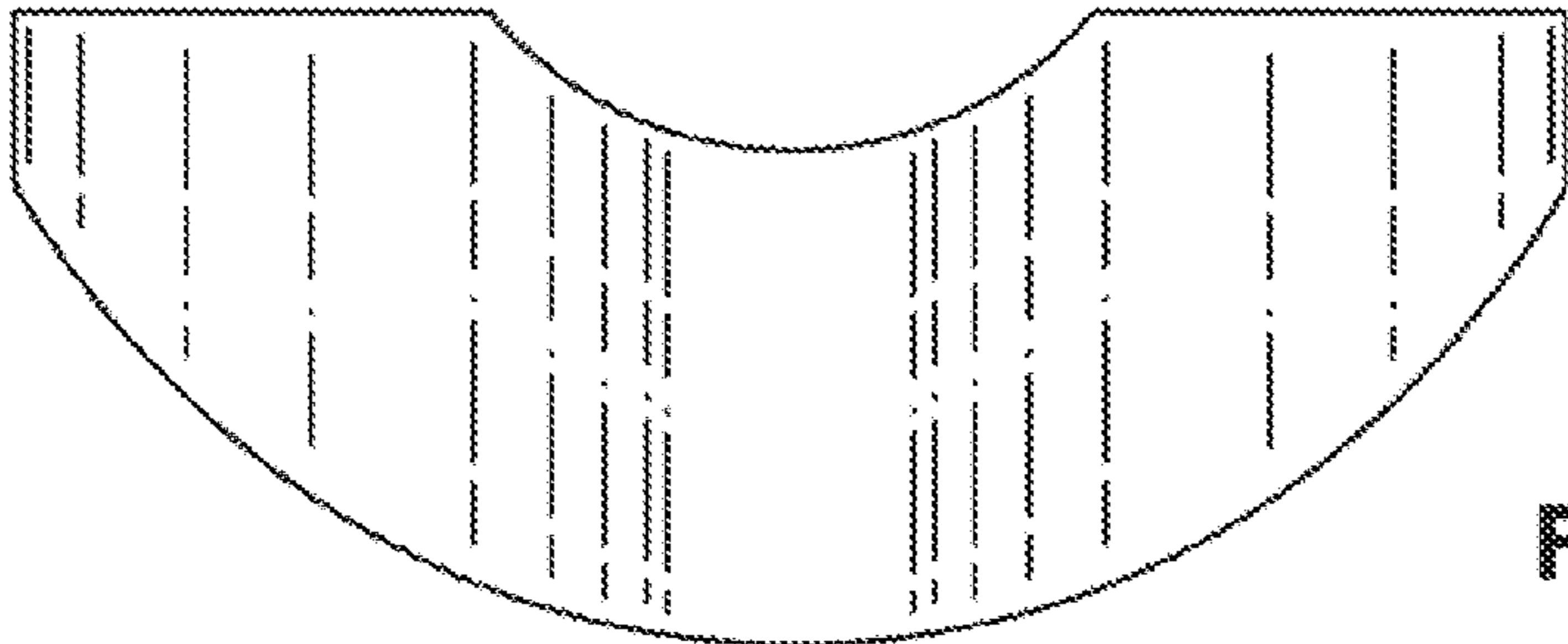


FIG. 3

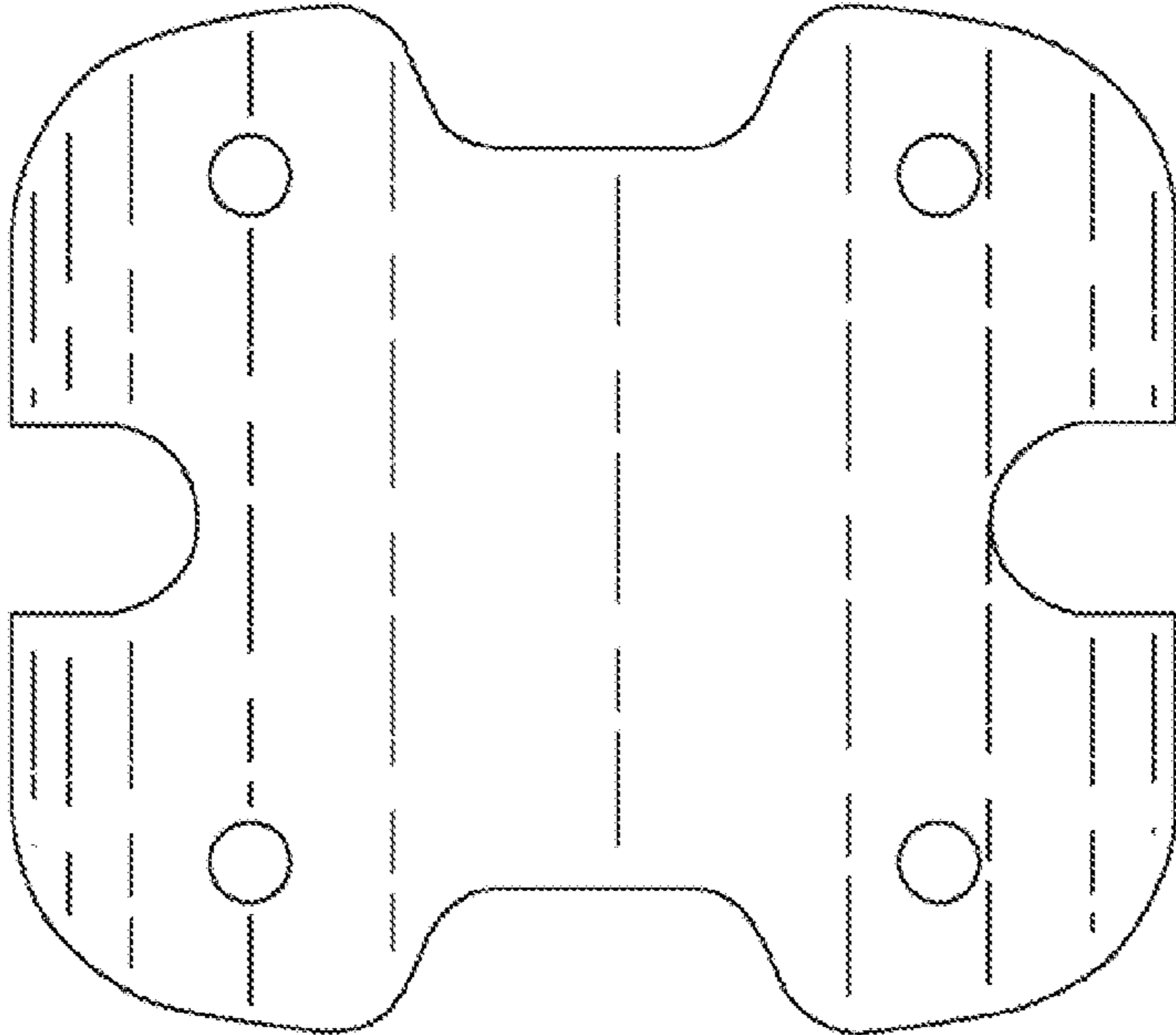


FIG. 4

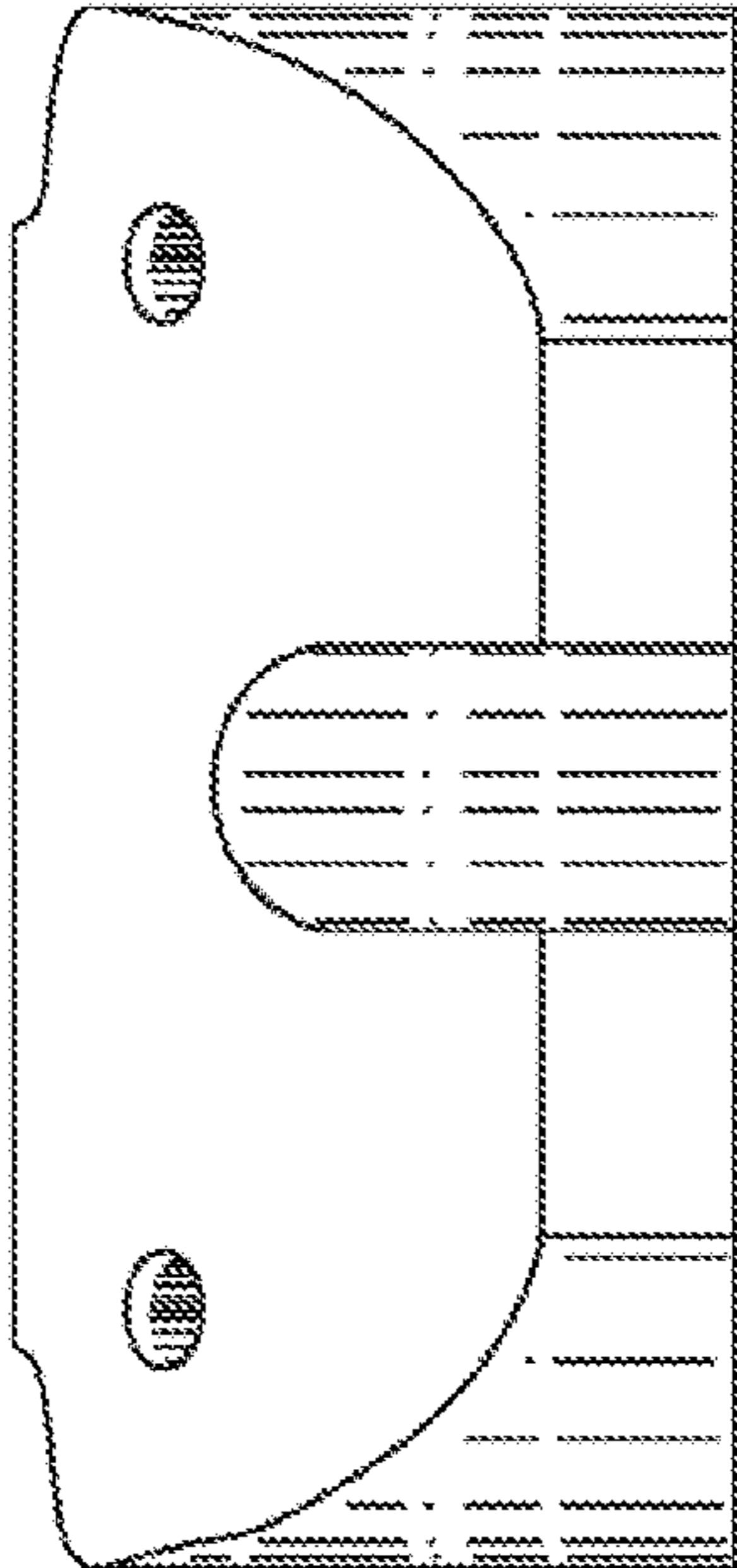


FIG. 5

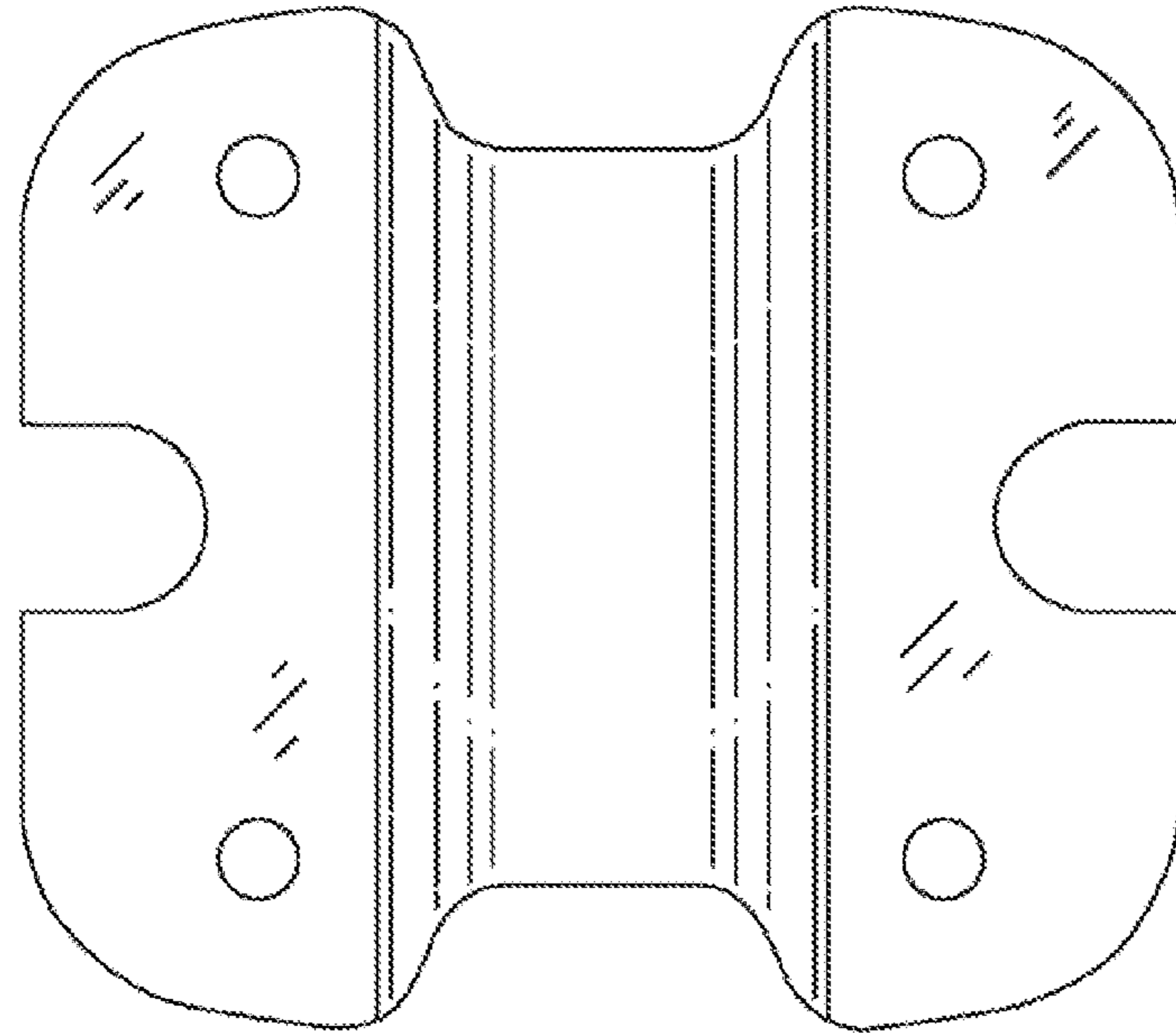


FIG. 6

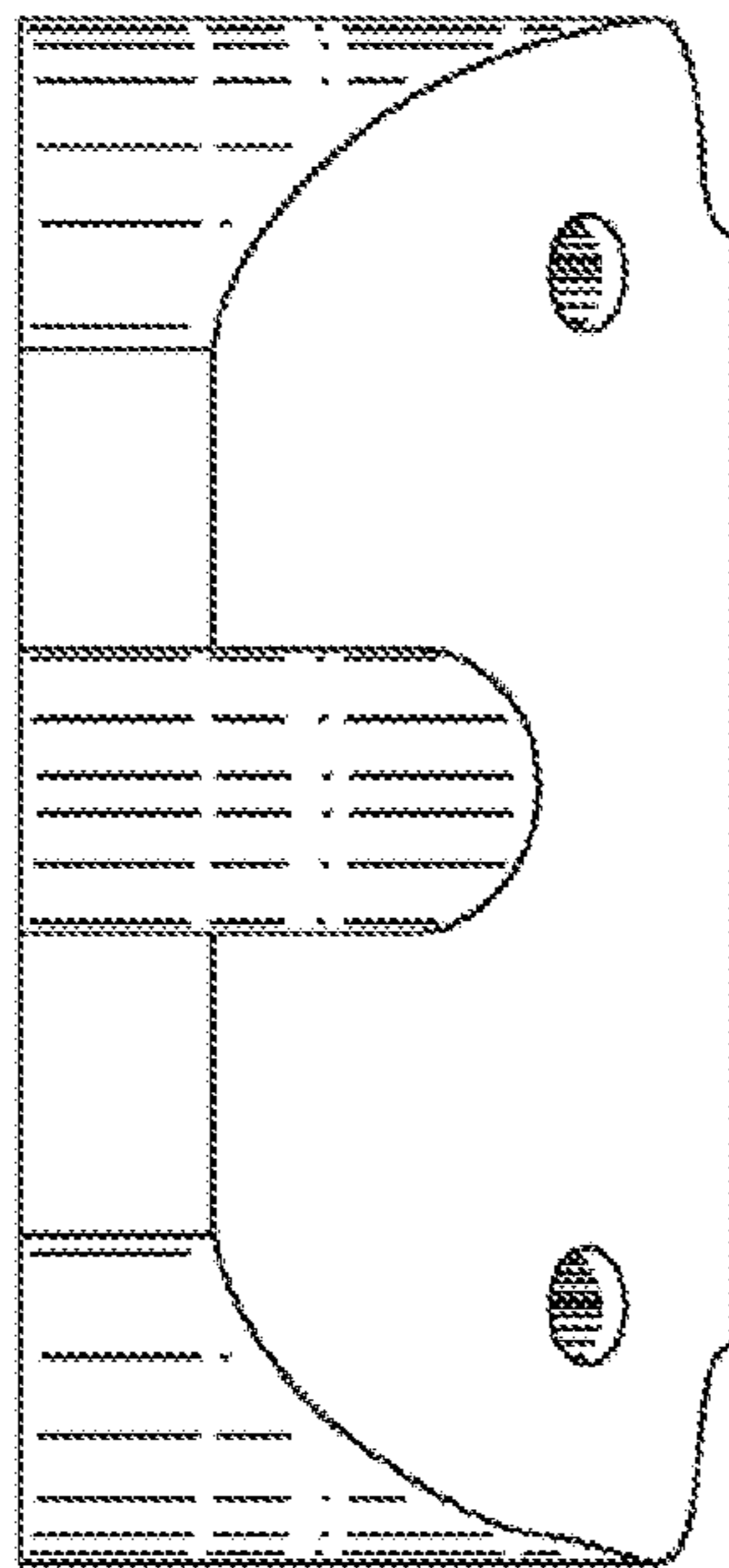


FIG. 7

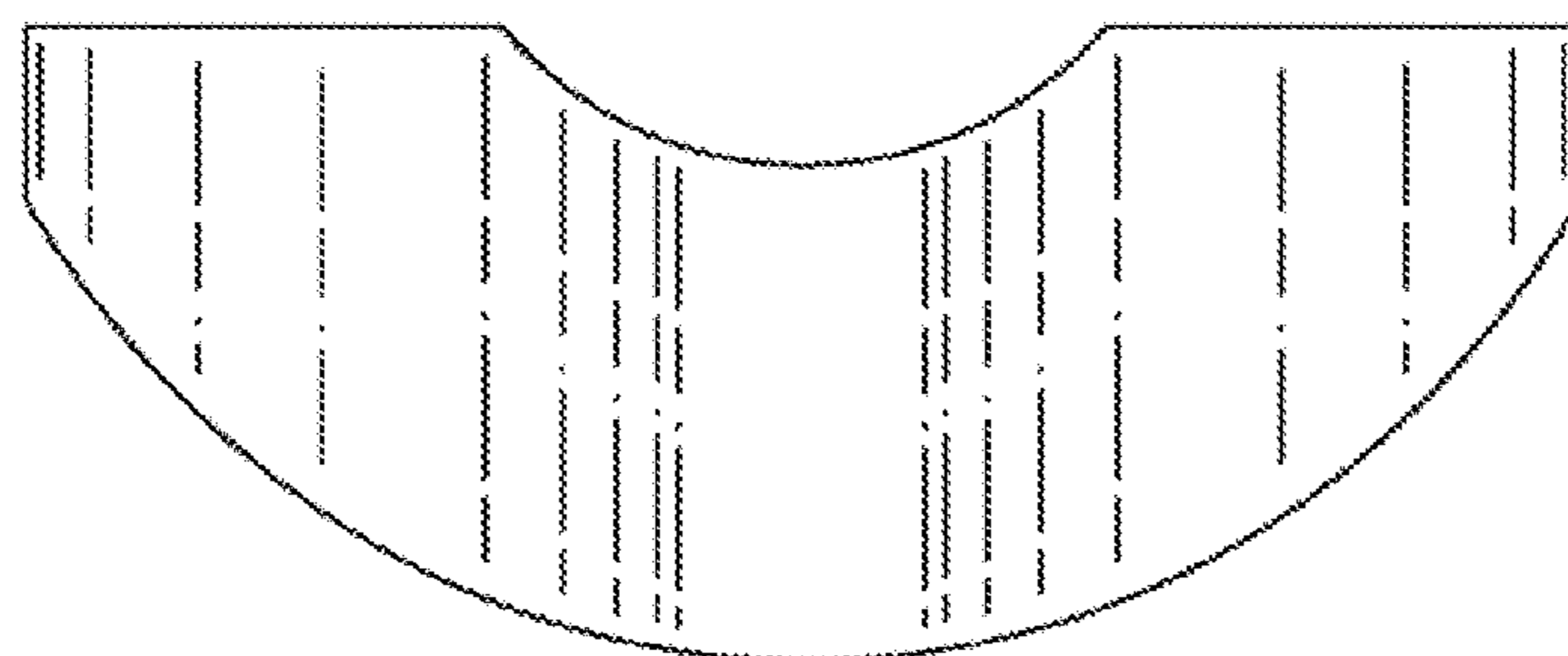


FIG. 8