



US00D642678S

(12) **United States Design Patent**  
**Dockstader et al.**

(10) **Patent No.:** **US D642,678 S**

(45) **Date of Patent:** **\*\* Aug. 2, 2011**

(54) **PIN PULLING TOOL**

(75) Inventors: **John Dockstader**, Cedar Park, TX (US);  
**Robert D. Krebs**, Warsaw, IN (US)

(73) Assignee: **Zimmer, Inc.**, Warsaw, IN (US)

(\*\*) Term: **14 Years**

(21) Appl. No.: **29/362,873**

(22) Filed: **Jun. 1, 2010**

(51) **LOC (9) Cl.** ..... **24-02**

(52) **U.S. Cl.** ..... **D24/133**

(58) **Field of Classification Search** ..... D24/133,  
D24/143, 145, 147, 148, 171; 606/104  
See application file for complete search history.

(56) **References Cited**

U.S. PATENT DOCUMENTS

D272,479	S	*	1/1984	Van Roeyen et al.	.....	D28/55
D291,729	S	*	9/1987	Greig	.....	D24/135
D300,244	S	*	3/1989	Orejola	.....	D24/148
5,020,519	A	*	6/1991	Hayes et al.	.....	606/237
D407,489	S	*	3/1999	Kalat	.....	D24/145
D448,260	S	*	9/2001	Gathmann	.....	D8/52
D477,406	S	*	7/2003	Schroer	.....	D24/143
D532,265	S	*	11/2006	Norton	.....	D8/52
7,189,243	B1	*	3/2007	Seelig et al.	.....	606/104

D592,747	S	*	5/2009	Weiler et al.	.....	D24/143
D614,299	S	*	4/2010	Koh et al.	.....	D24/133
2009/0312760	A1	*	12/2009	Forstein et al.	.....	606/71
2010/0234851	A1	*	9/2010	Graves et al.	.....	606/104

\* cited by examiner

*Primary Examiner* — Bridget L Eland

(74) *Attorney, Agent, or Firm* — Baker & Daniels LLP

(57) **CLAIM**

The ornamental design for a pin pulling tool, as shown and described.

**DESCRIPTION**

FIG. 1 is a perspective view of a pin pulling tool illustrating our new design;

FIG. 2 is a front end elevation view thereof;

FIG. 3 is a rear end elevation view thereof;

FIG. 4 is a left side elevation view thereof;

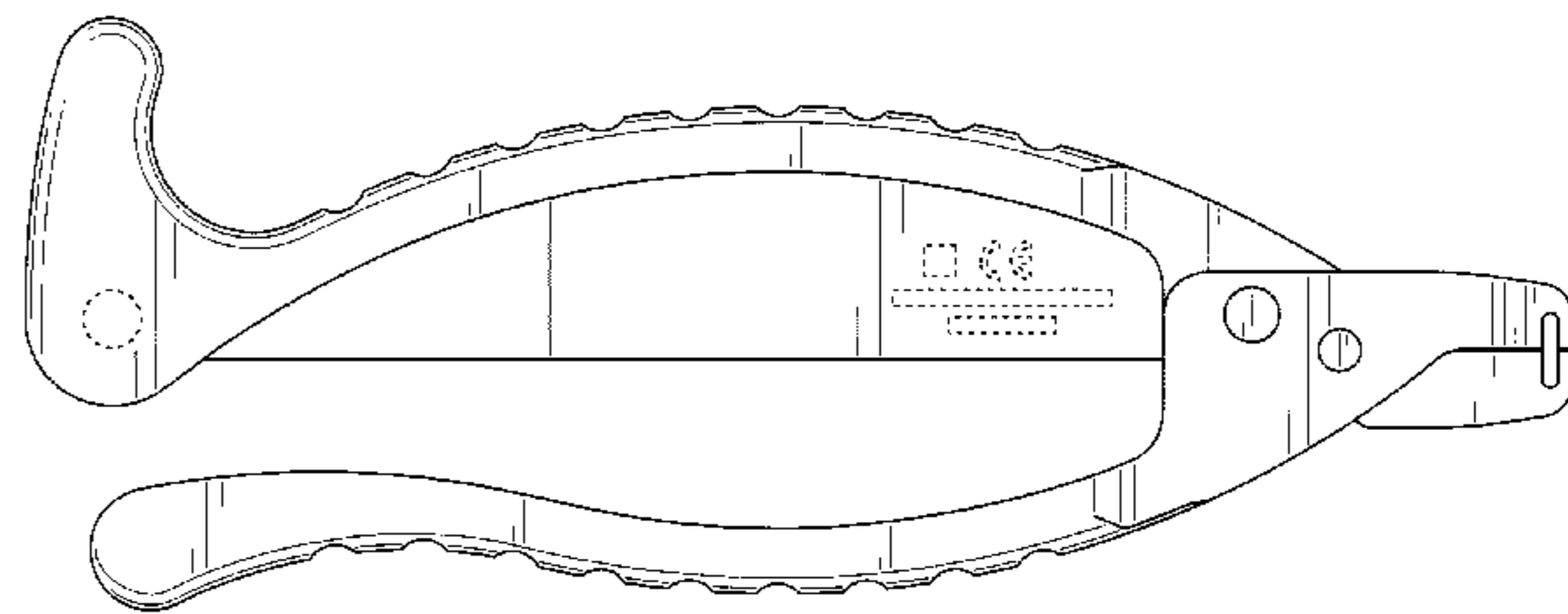
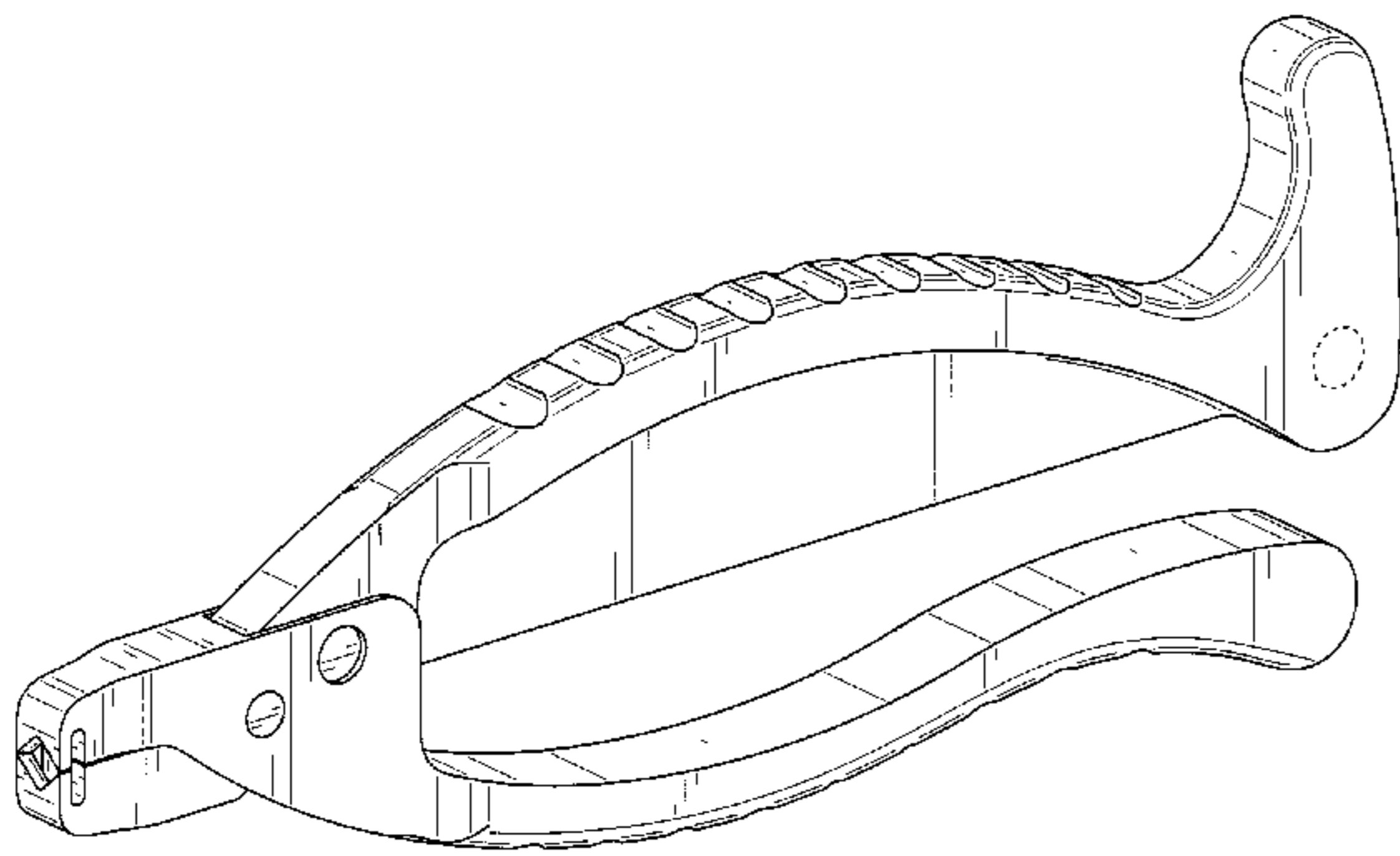
FIG. 5 is a right side elevation view thereof;

FIG. 6 is a top plan view thereof; and,

FIG. 7 is a bottom plan view thereof.

The broken line circles shown in FIGS. 1, 4, and 5, immediately adjacent the shaded areas, represent unclaimed boundaries while all other broken lines are directed to environment and are for illustrative purposes only; the broken lines form no part of the claimed design.

**1 Claim, 5 Drawing Sheets**



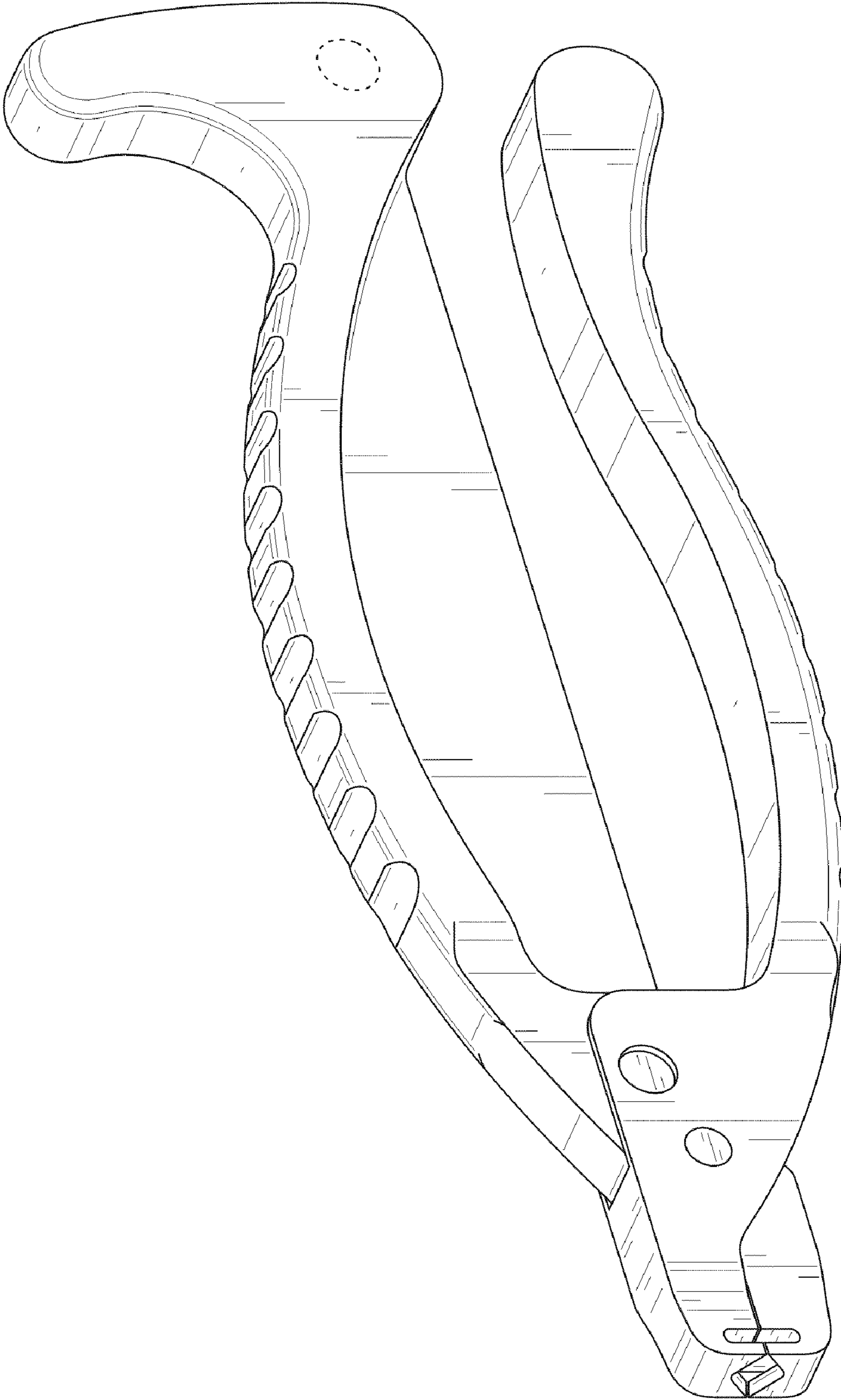


FIG. 1

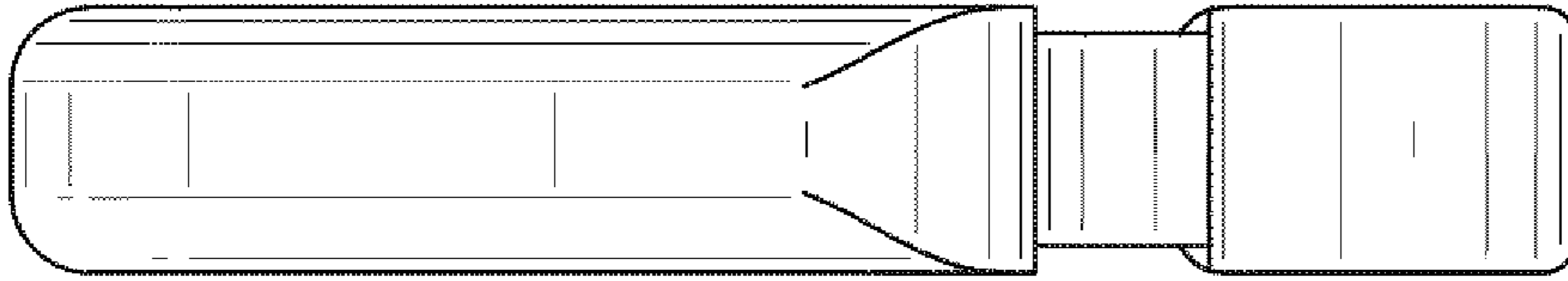


FIG. 3

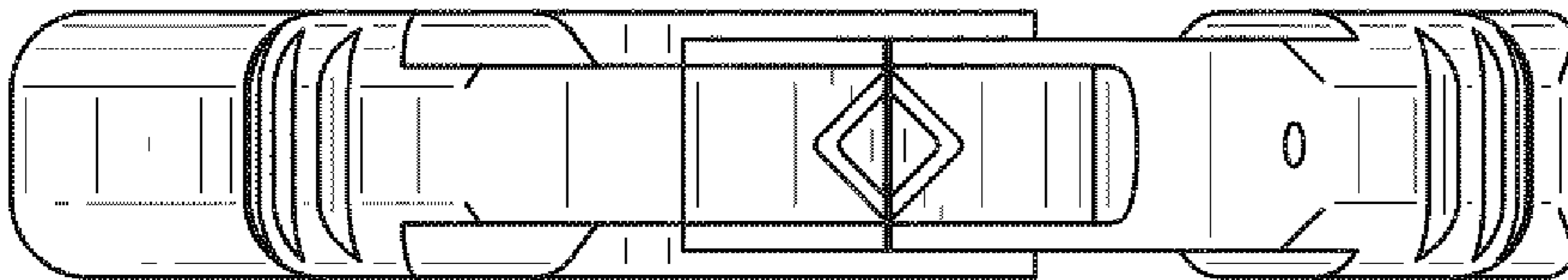


FIG. 2

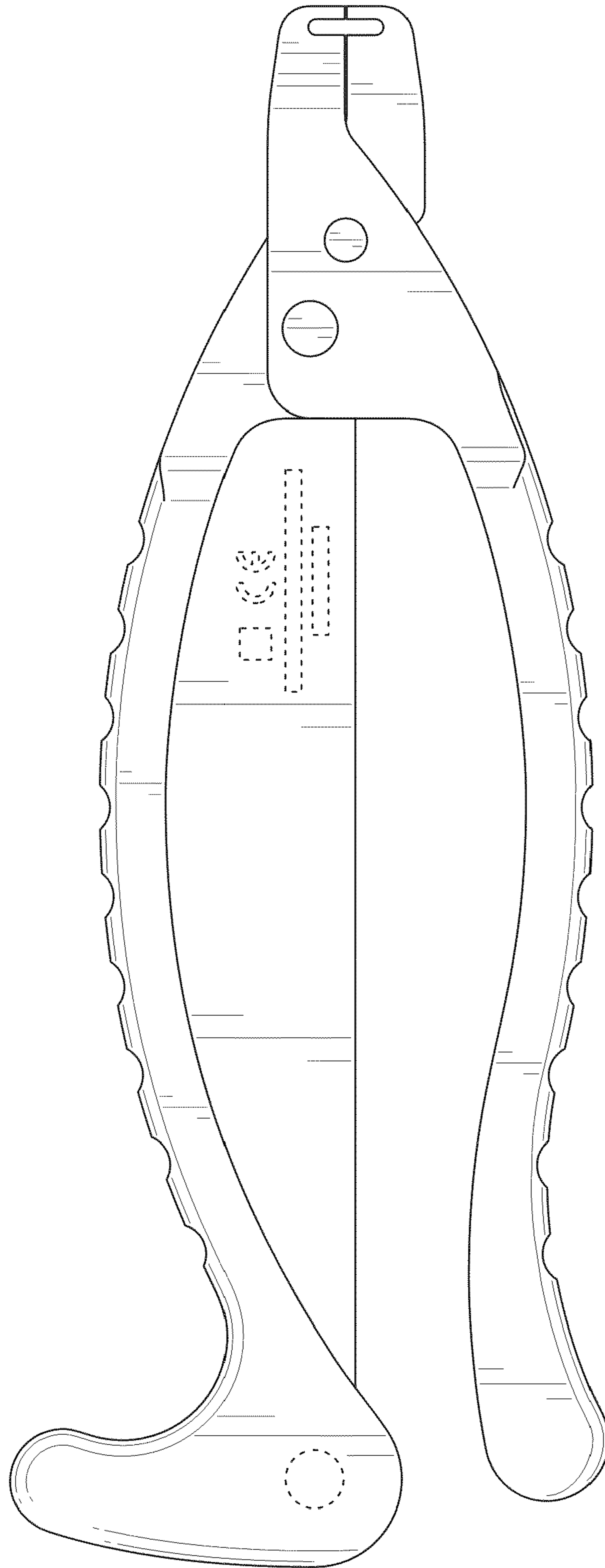


FIG. 4

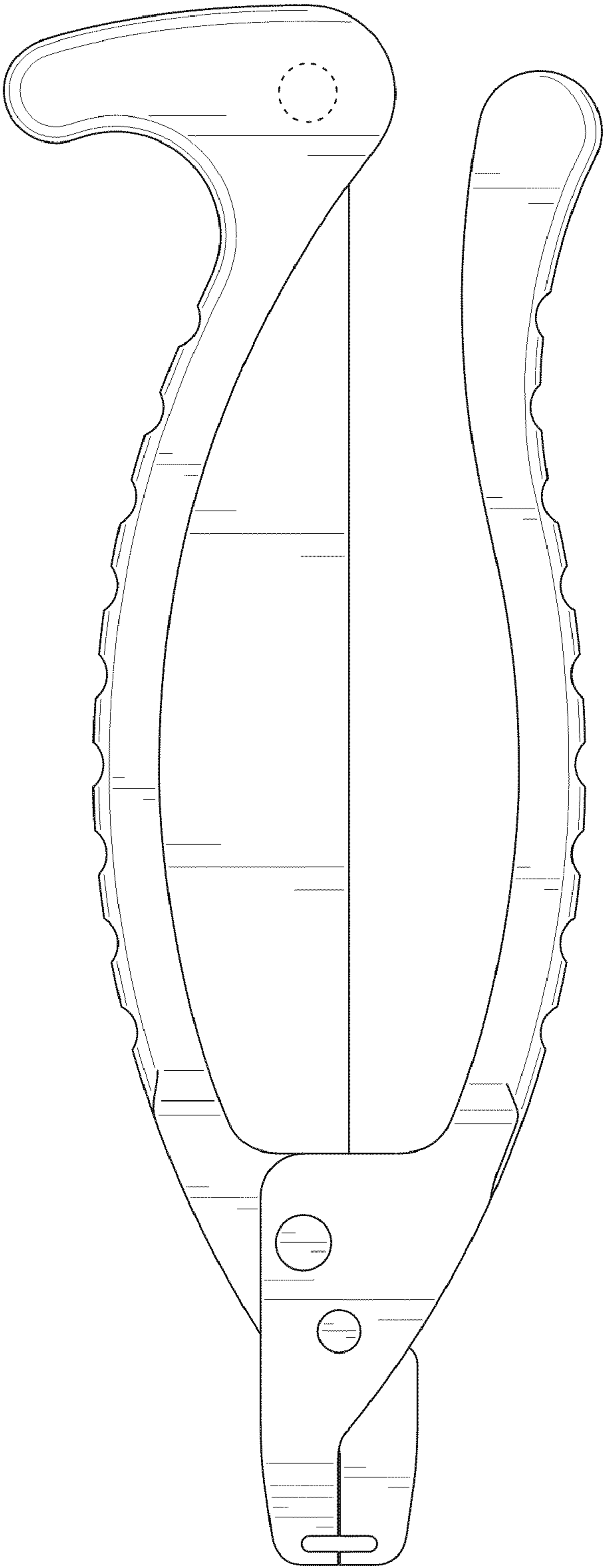


FIG. 5

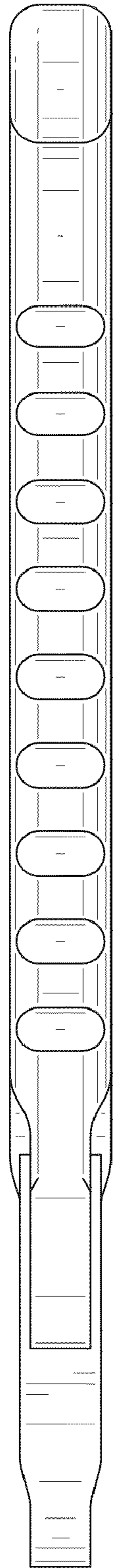


FIG. 6

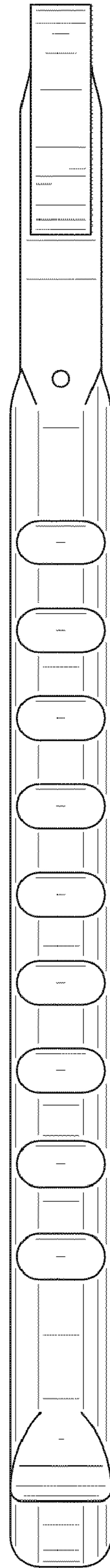


FIG. 7