



US00D642676S

(12) **United States Design Patent**  
**Kenyon**

(10) **Patent No.:** **US D642,676 S**

(45) **Date of Patent:** **\*\* Aug. 2, 2011**

- (54) **FLEXIBLE MOTOR SLEEVE**
- (75) Inventor: **Barton John Kenyon**, Ashfield (AU)
- (73) Assignee: **ResMed Motor Technologies Inc**,  
Chatsworth, CA (US)
- (\*\*) Term: **14 Years**
- (21) Appl. No.: **29/311,306**
- (22) Filed: **Feb. 13, 2009**

- 2003/0168064 A1 9/2003 Daly et al.
  - 2004/0071552 A1 4/2004 Truitt et al.
  - 2006/0138878 A1 6/2006 Hoffman et al.
  - 2006/0247314 A1 11/2006 Chen et al.
  - 2007/0125386 A1 6/2007 Quinn
  - 2007/0134085 A1 6/2007 Daly et al.
  - 2009/0116958 A1\* 5/2009 Wiggins ..... 415/203
- (Continued)

**Related U.S. Application Data**

- (60) Division of application No. 29/274,505, filed on Apr. 27, 2007, now Pat. No. Des. 589,137, which is a continuation-in-part of application No. PCT/AU2006/001616, filed on Oct. 27, 2006.
  - (51) **LOC (9) Cl.** ..... **29-02**
  - (52) **U.S. Cl.** ..... **D24/110**
  - (58) **Field of Classification Search** ..... D24/110,  
D24/164; 128/200.24, 203.12, 204.23, 204.21,  
128/204.25, 204.16-204.18, 207.12; 415/2.1,  
415/10, 203; 417/423.7, 427.12, 423.14,  
417/423.1, 360
- See application file for complete search history.

**FOREIGN PATENT DOCUMENTS**

- EP 0295455 12/1988
- (Continued)

**OTHER PUBLICATIONS**

- U.S. Appl. No. 29/274,506, filed Apr. 27, 2007.
- (Continued)

*Primary Examiner* — Ian Simmons  
*Assistant Examiner* — Wan Laymon  
 (74) *Attorney, Agent, or Firm* — Nixon & Vanderhye P.C.

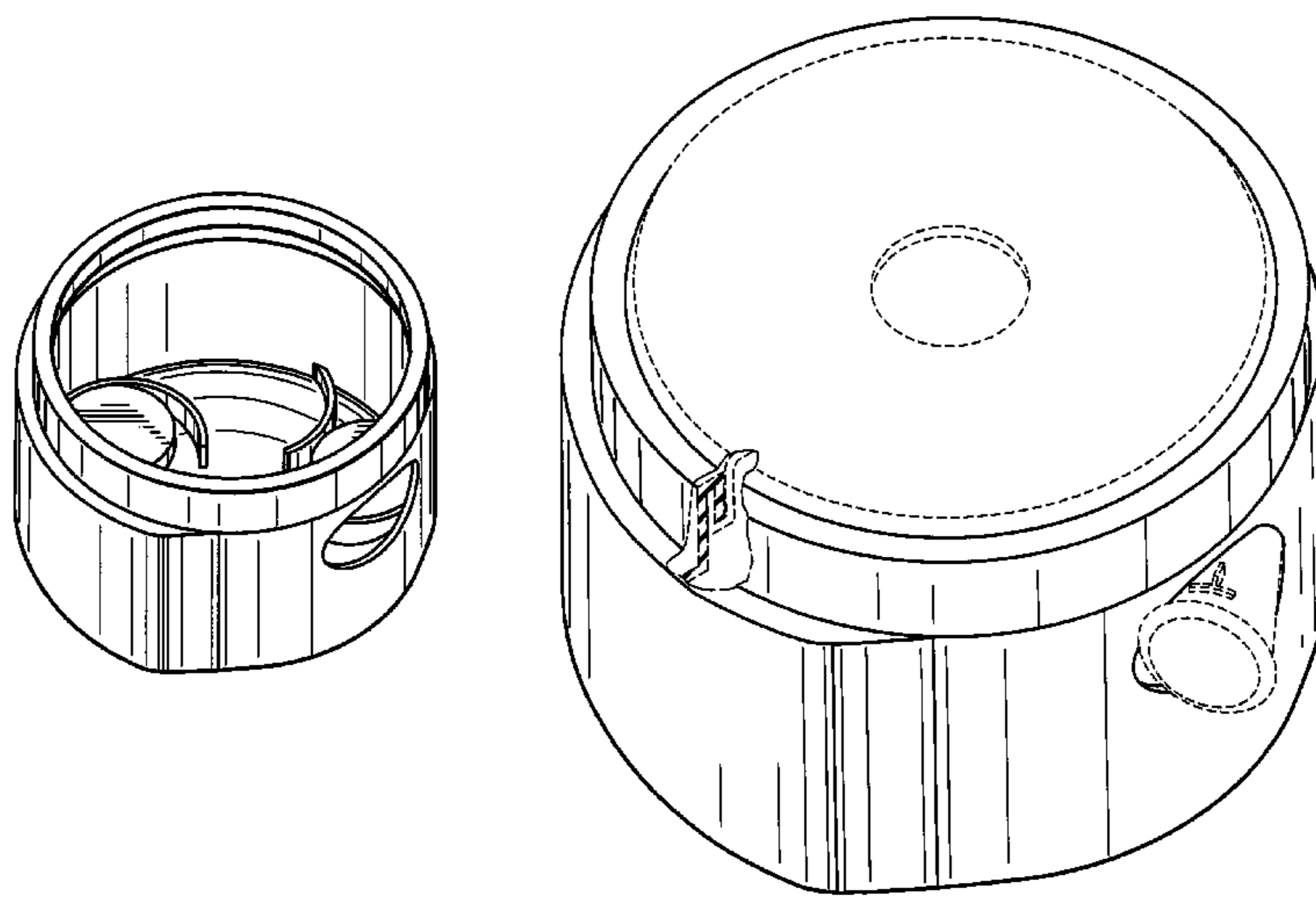
(57) **CLAIM**  
 The ornamental design for a flexible motor sleeve, as shown and described.

**DESCRIPTION**

FIG. 1 is a perspective view of a flexible motor sleeve according to a first embodiment of my design;  
 FIG. 2 is a top view thereof;  
 FIG. 3 is a side view thereof, partially sectioned;  
 FIG. 4 is a bottom view thereof; and,  
 FIG. 5 is another enlarged perspective view thereof, partially cut away, with environmental components shown in broken lines.  
 The broken lines immediately adjacent to the claimed areas of the flexible motor sleeve in FIG. 5 represent the bounds of the claimed design while all other broken lines represent environmental structure and are for illustrative purposes only; the broken lines form no part of the claimed design.

**1 Claim, 3 Drawing Sheets**

- (56) **References Cited**
- U.S. PATENT DOCUMENTS
- |              |         |                    |         |
|--------------|---------|--------------------|---------|
| D314,844 S   | 2/1991  | Baharad            |         |
| 5,893,705 A  | 4/1999  | Khan et al.        |         |
| D427,675 S   | 7/2000  | Hansel             |         |
| 6,315,526 B1 | 11/2001 | Jones              |         |
| 6,357,463 B1 | 3/2002  | Wickham et al.     |         |
| 6,371,738 B2 | 4/2002  | Jones              |         |
| D468,011 S   | 12/2002 | Lithgow et al.     |         |
| 6,565,334 B1 | 5/2003  | Bradbury et al.    |         |
| D497,203 S   | 10/2004 | Lithgow et al.     |         |
| 7,012,346 B2 | 3/2006  | Hoffman et al.     |         |
| D544,598 S   | 6/2007  | Lithgow et al.     |         |
| D560,795 S   | 1/2008  | Lithgow et al.     |         |
| D589,136 S * | 3/2009  | Kenyon et al. .... | D24/110 |
| D589,137 S * | 3/2009  | Kenyon .....       | D24/110 |



# US D642,676 S

Page 2

---

## U.S. PATENT DOCUMENTS

2009/0136341 A1\* 5/2009 Kenyon ..... 415/203  
2009/0301485 A1\* 12/2009 Kenyon et al. .... 128/204.18  
2010/0132711 A1\* 6/2010 Kenyon ..... 128/204.18

## FOREIGN PATENT DOCUMENTS

WO WO 99/00601 1/1999  
WO WO 00/38771 7/2000  
WO WO 2004/112873 12/2004  
WO WO 2007/048206 5/2007

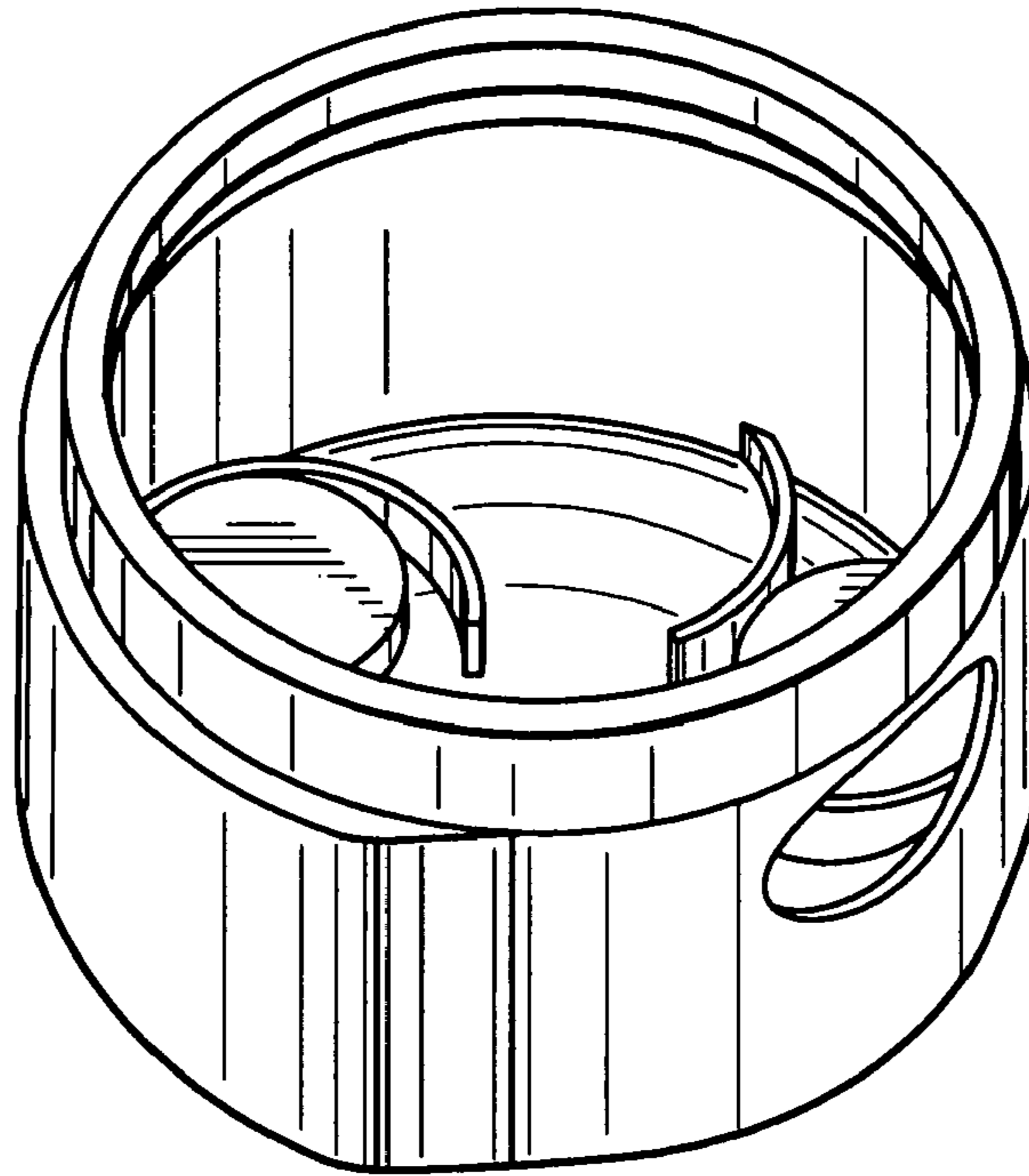
## OTHER PUBLICATIONS

U.S. Appl. No. 29/274,507, filed Apr. 27, 2007.

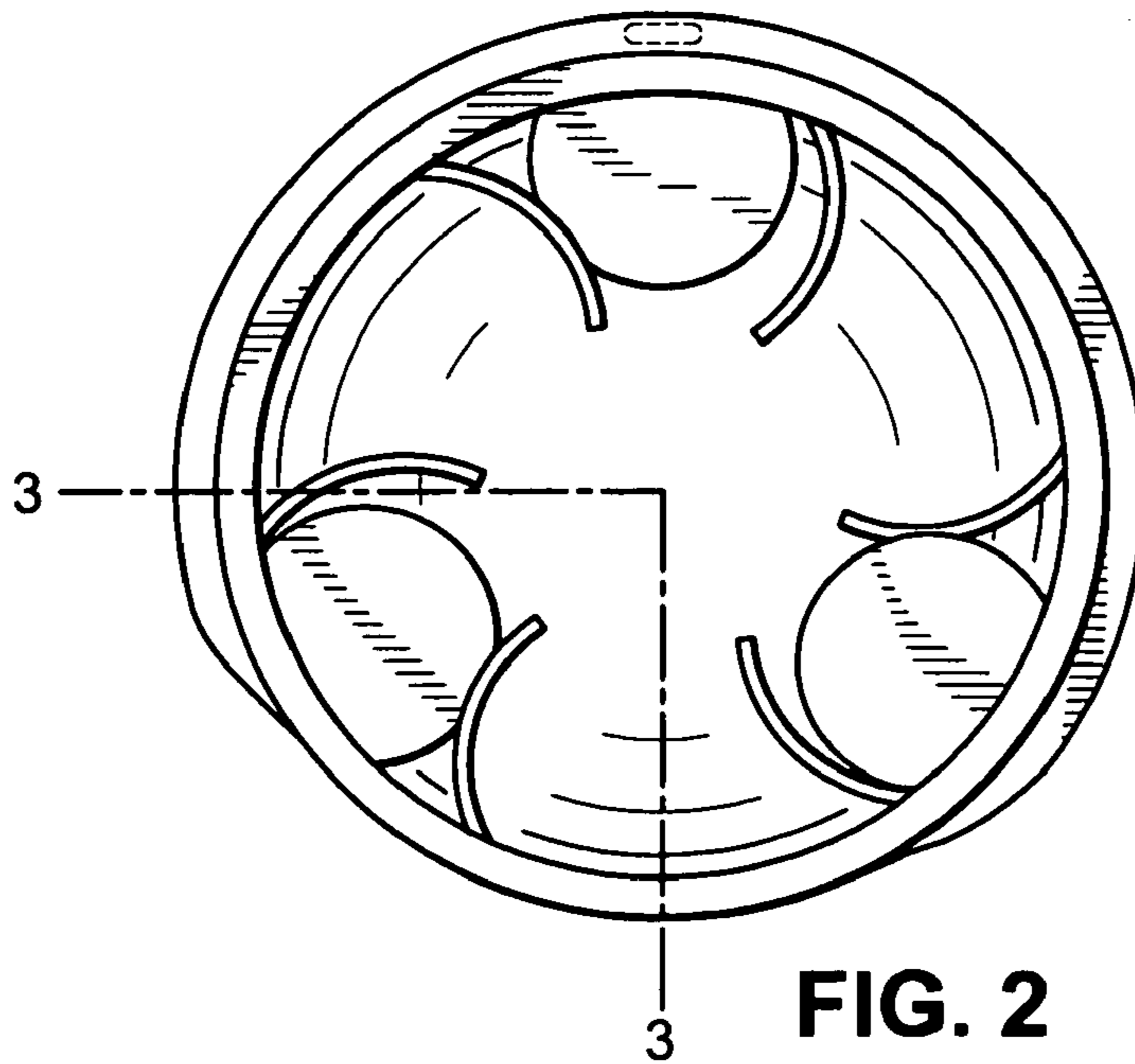
U.S. Appl. No. 29/274,504, filed Apr. 27, 2007.

International Search Report, Appln. No. PCT/AU2006/001616, Jan.  
5, 2007.

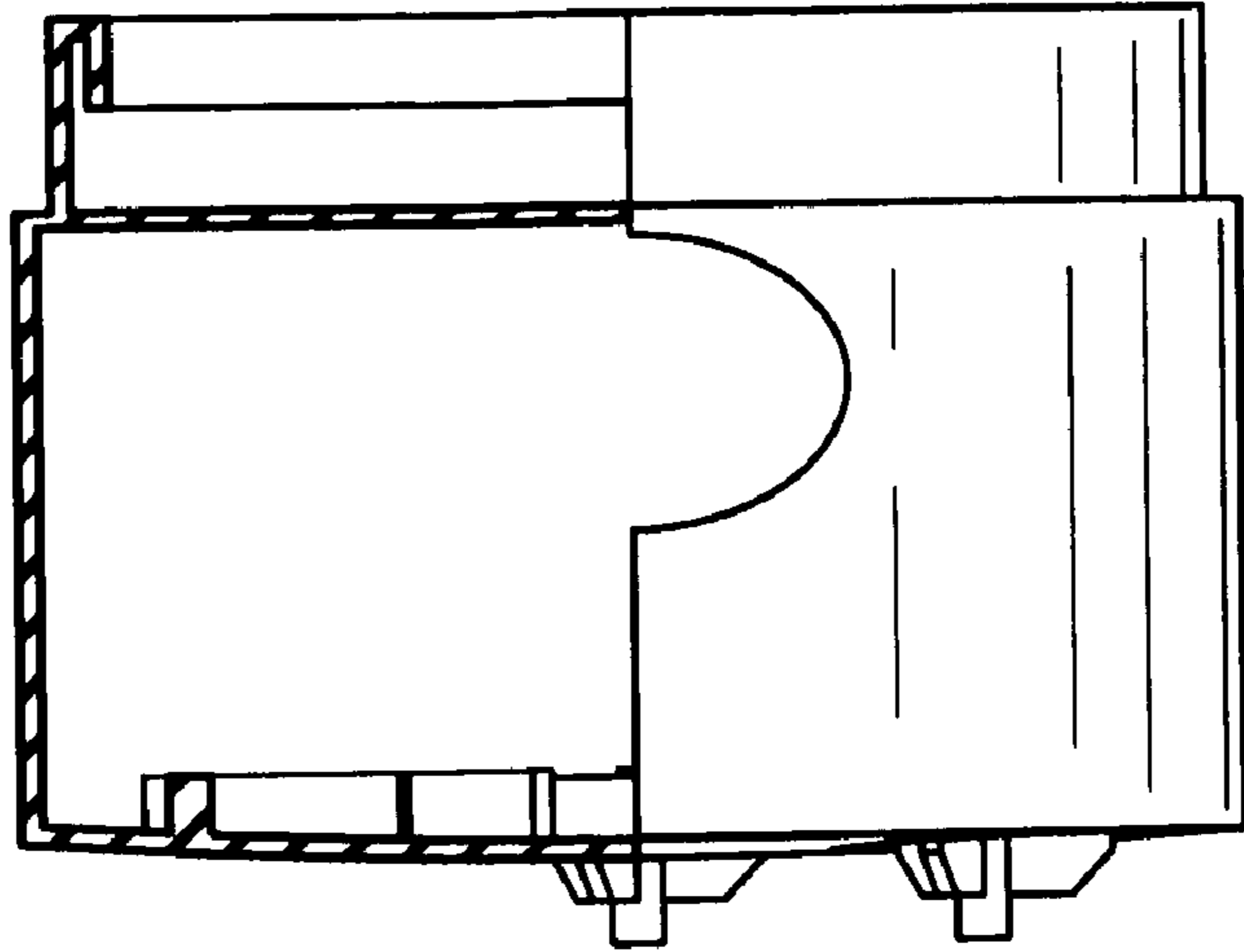
\* cited by examiner



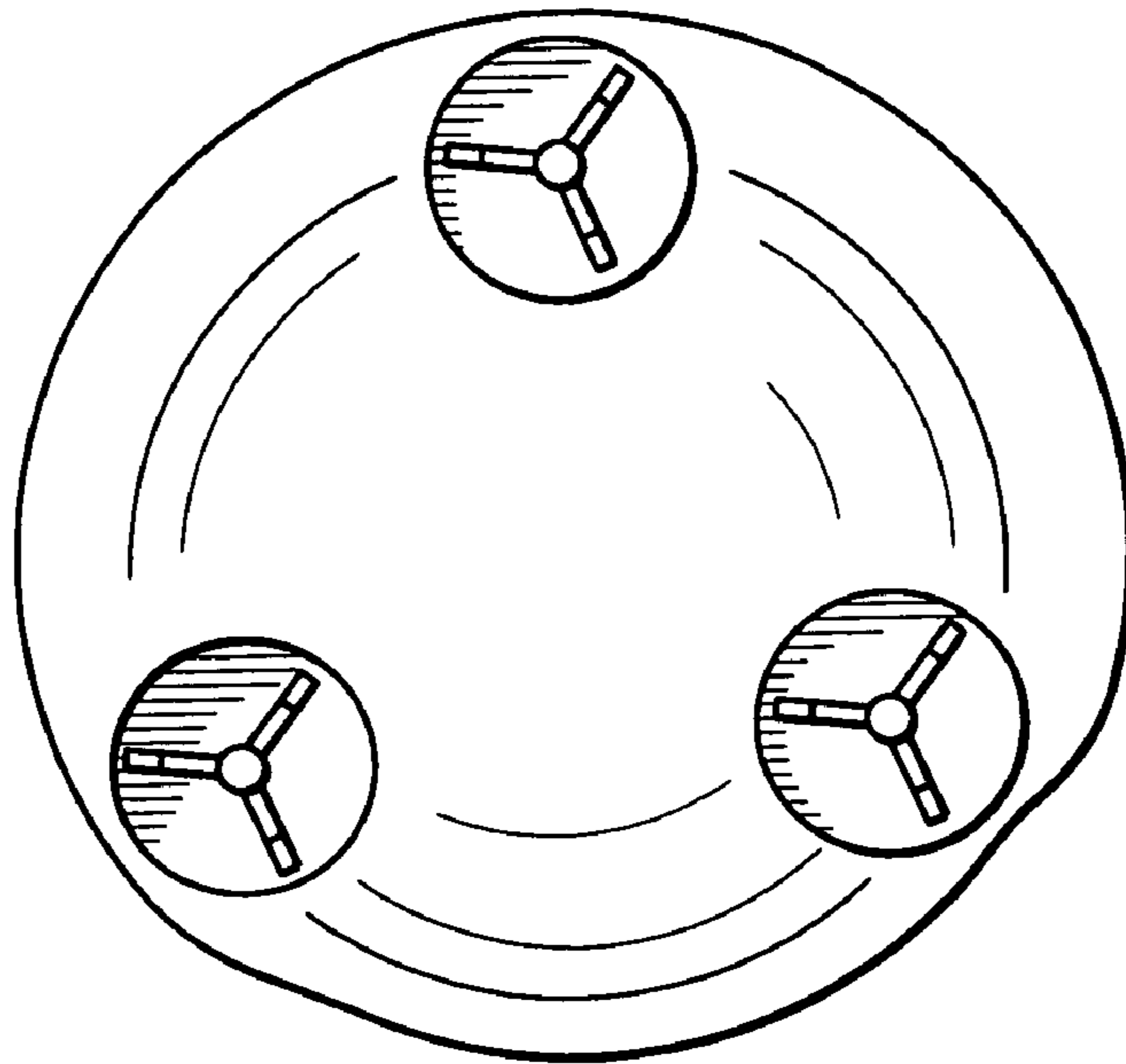
**FIG. 1**



**FIG. 2**



**FIG. 3**



**FIG. 4**

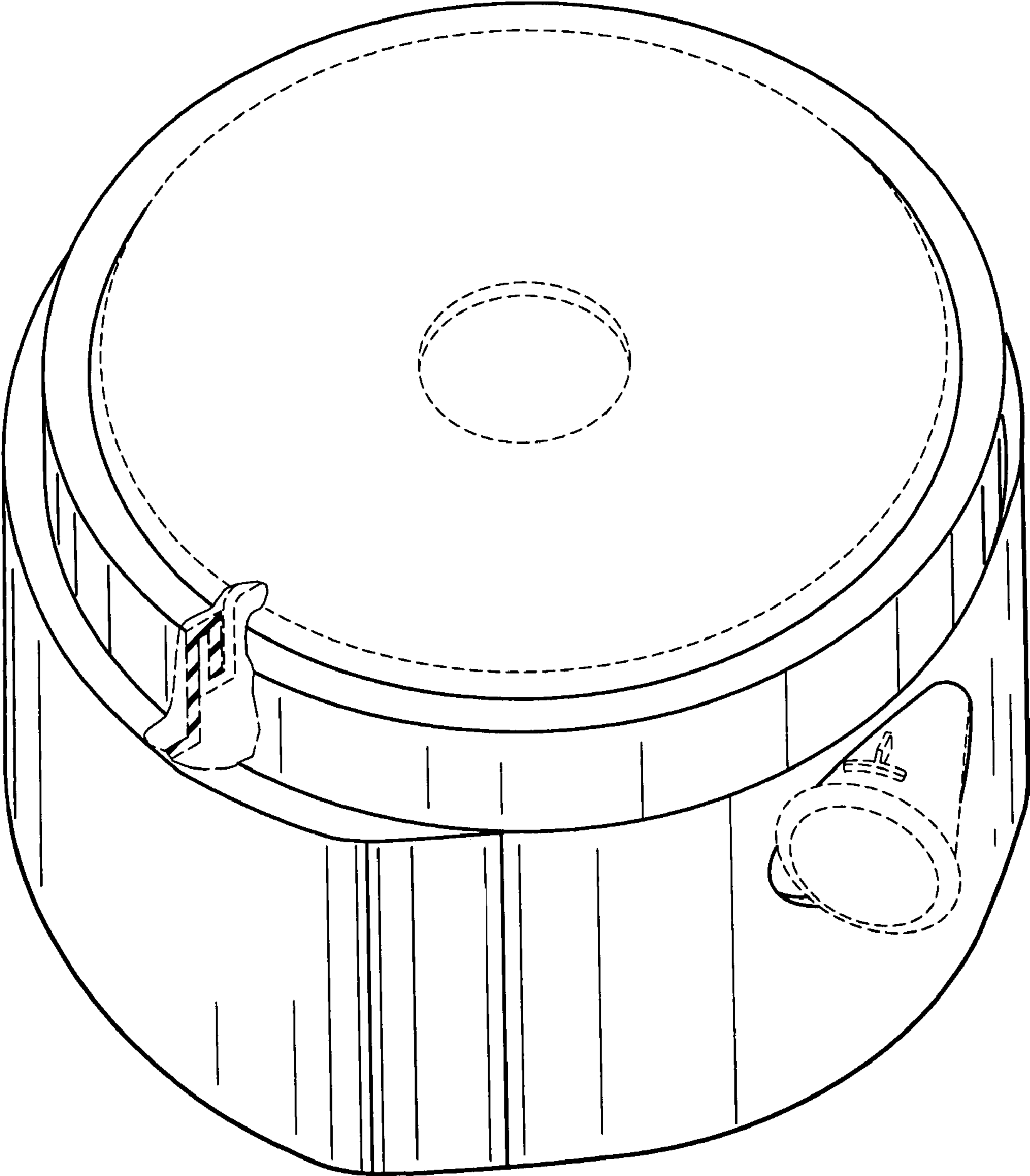


FIG. 5