



US00D642675S

(12) **United States Design Patent**  
**Scribano et al.**

(10) **Patent No.:** **US D642,675 S**

(45) **Date of Patent:** **\*\* Aug. 2, 2011**

(54) **PREMIX GAS BURNER**

(75) Inventors: **Gianfranco Scribano**, Noventa Padovana (IT); **Antonio Ranalli**, Montefano (IT)

(73) Assignee: **Sit La Precisa S.p.A. Con Socio Unico**, Padova (IT)

(\*\*) Term: **14 Years**

(21) Appl. No.: **29/356,101**

(22) Filed: **Feb. 19, 2010**

(51) **LOC (9) Cl.** ..... **23-03**

(52) **U.S. Cl.** ..... **D23/415**

(58) **Field of Classification Search** ..... D23/403–410, D23/415–422, 499, 342–350; D7/346, 402, D7/407, 408, 416, 417; 40/798; 44/520, 44/530; 52/36.3; 126/25 B, 298, 500, 512, 126/540, 543, 544, 548, 555, 39 E; 160/DIG. 9; 431/263, 273, 329

See application file for complete search history.

(56) **References Cited**

**U.S. PATENT DOCUMENTS**

1,257,010	A *	2/1918	Morley et al.	431/326
1,886,866	A *	11/1932	Blakesley	431/172
3,017,924	A *	1/1962	Jenson	431/262
3,852,025	A *	12/1974	Placek	431/329
4,793,321	A *	12/1988	Rafford et al.	126/43
4,846,671	A *	7/1989	Kwiatek	431/266
D313,466	S *	1/1991	McWilliams	D23/314
5,149,262	A *	9/1992	Riehl	431/258
5,287,832	A *	2/1994	Uhl	123/185.3
5,813,395	A *	9/1998	Taplan et al.	126/214 A
7,083,123	B2 *	8/2006	Molla	239/419.5

D564,296	S *	3/2008	Koch et al.	D7/407
2006/0292510	A1	12/2006	Krauklis	
2010/0316967	A1 *	12/2010	Scribano et al.	431/329

**FOREIGN PATENT DOCUMENTS**

DE	4219443	A1	12/1993
GB	2354499	A *	3/2001
JP	2000237566	A *	9/2000
JP	2001050511	A	2/2001
WO	03062705	A	7/2003

\* cited by examiner

*Primary Examiner* — Karen S Acker

(74) *Attorney, Agent, or Firm* — Volpe and Koenig, P.C.

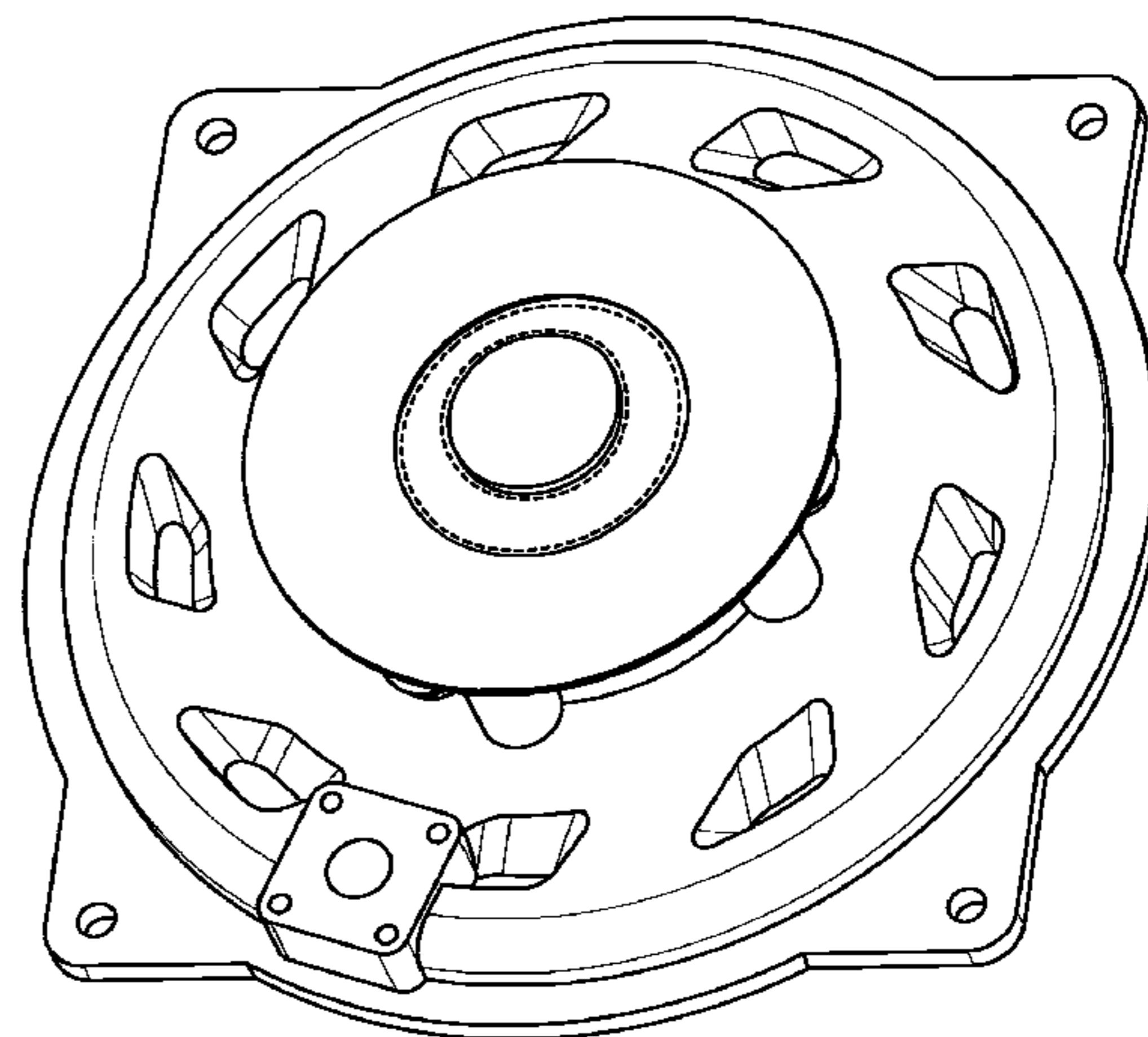
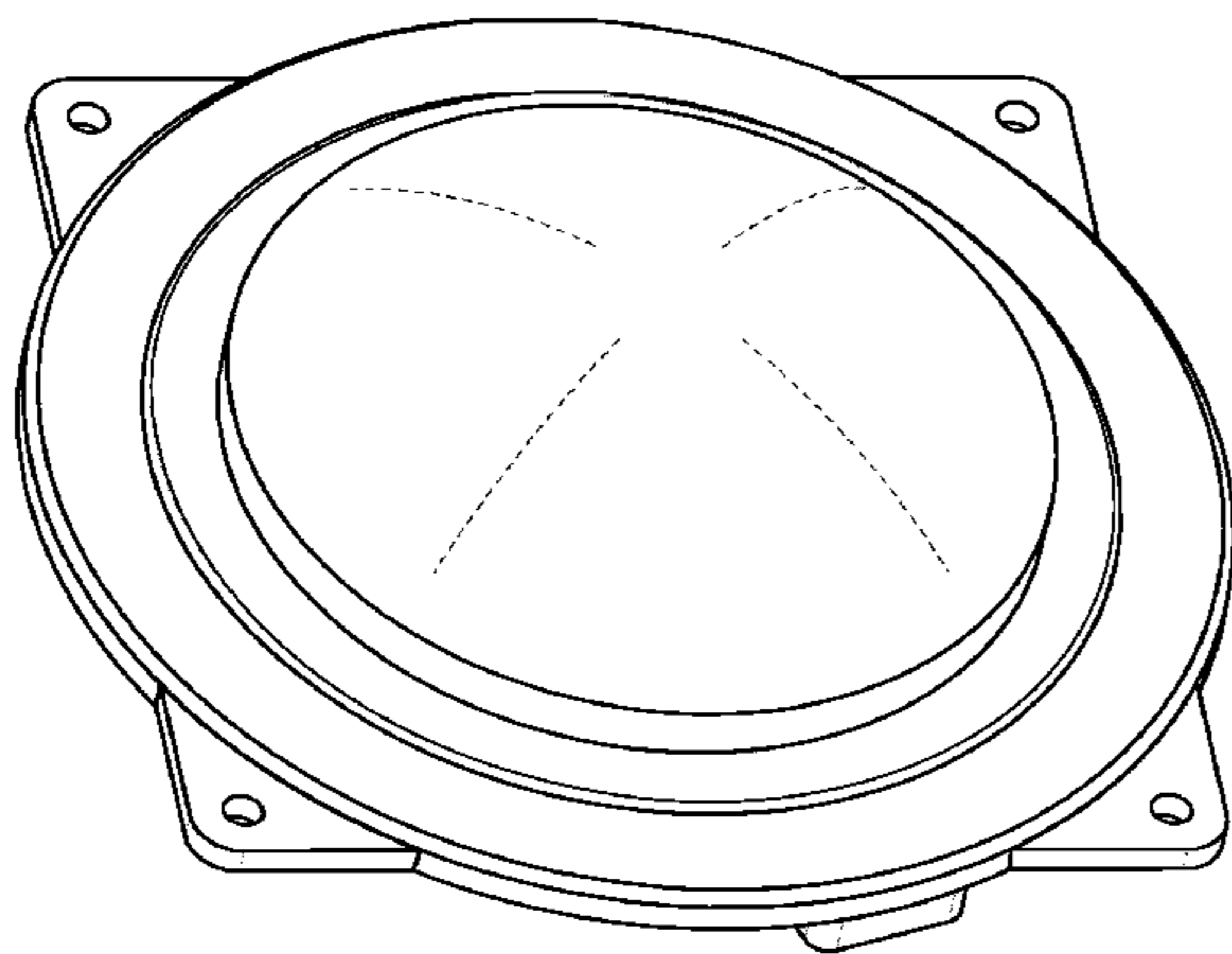
(57) **CLAIM**

The ornamental design for premix gas burner, as shown and described.

**DESCRIPTION**

FIG. 1 is a top perspective view of the premix burner according to the design;  
 FIG. 2 is a bottom perspective view of the premix burner of FIG. 1;  
 FIG. 3 is a top plan view of the premix burner of FIG. 1;  
 FIG. 4 is a bottom plan view of the premix burner of FIG. 1;  
 FIG. 5 is a right side elevation view of the premix burner of FIG. 1;  
 FIG. 6 is a left side elevation view of the premix burner of FIG. 1;  
 FIG. 7 is a front elevation view of the premix burner of FIG. 1; and,  
 FIG. 8 is a rear elevation view of the premix burner of FIG. 1.  
 The broken lines in the drawings represent unclaimed environmental subject matter.

**1 Claim, 8 Drawing Sheets**



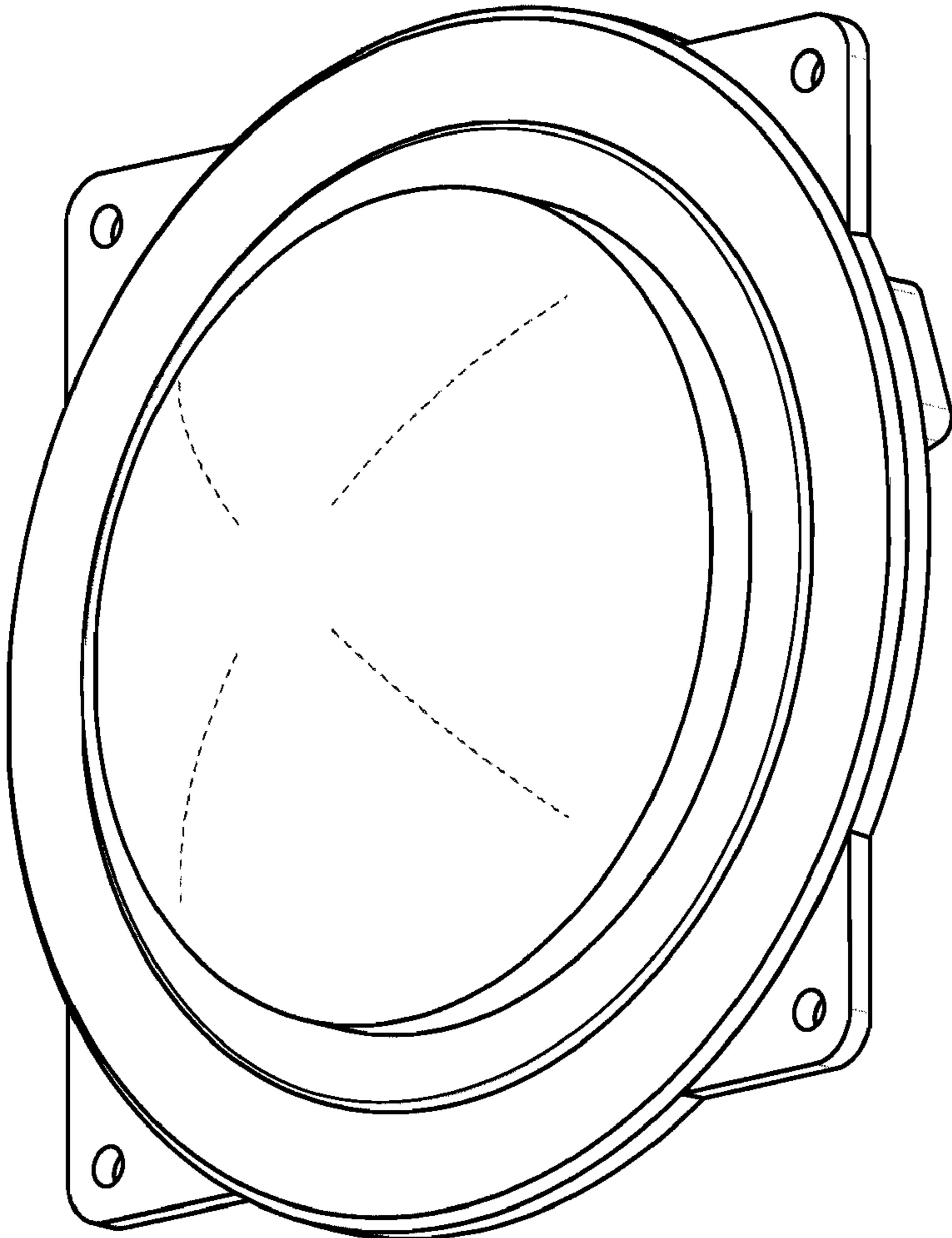


FIG. 1

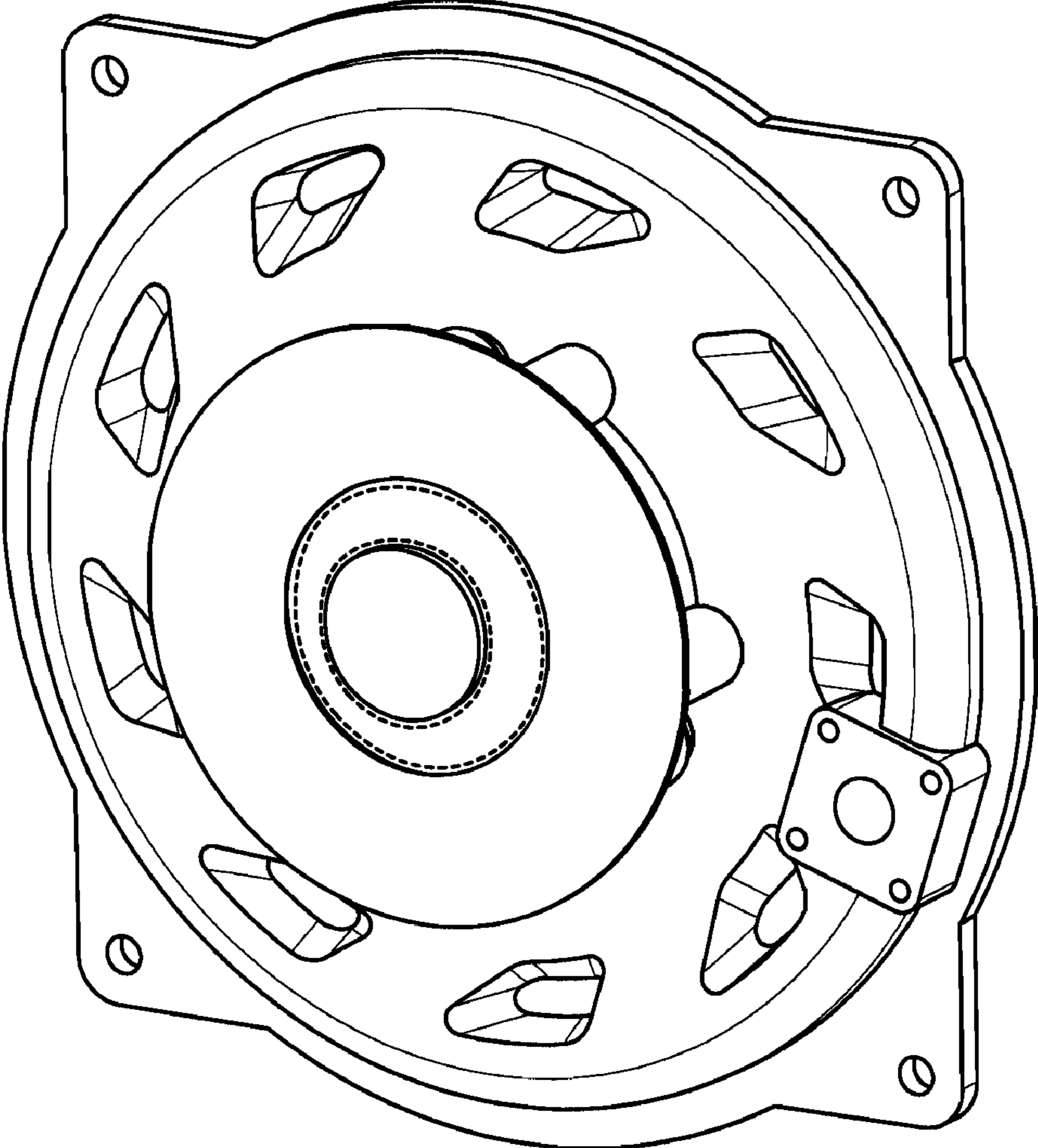


FIG. 2

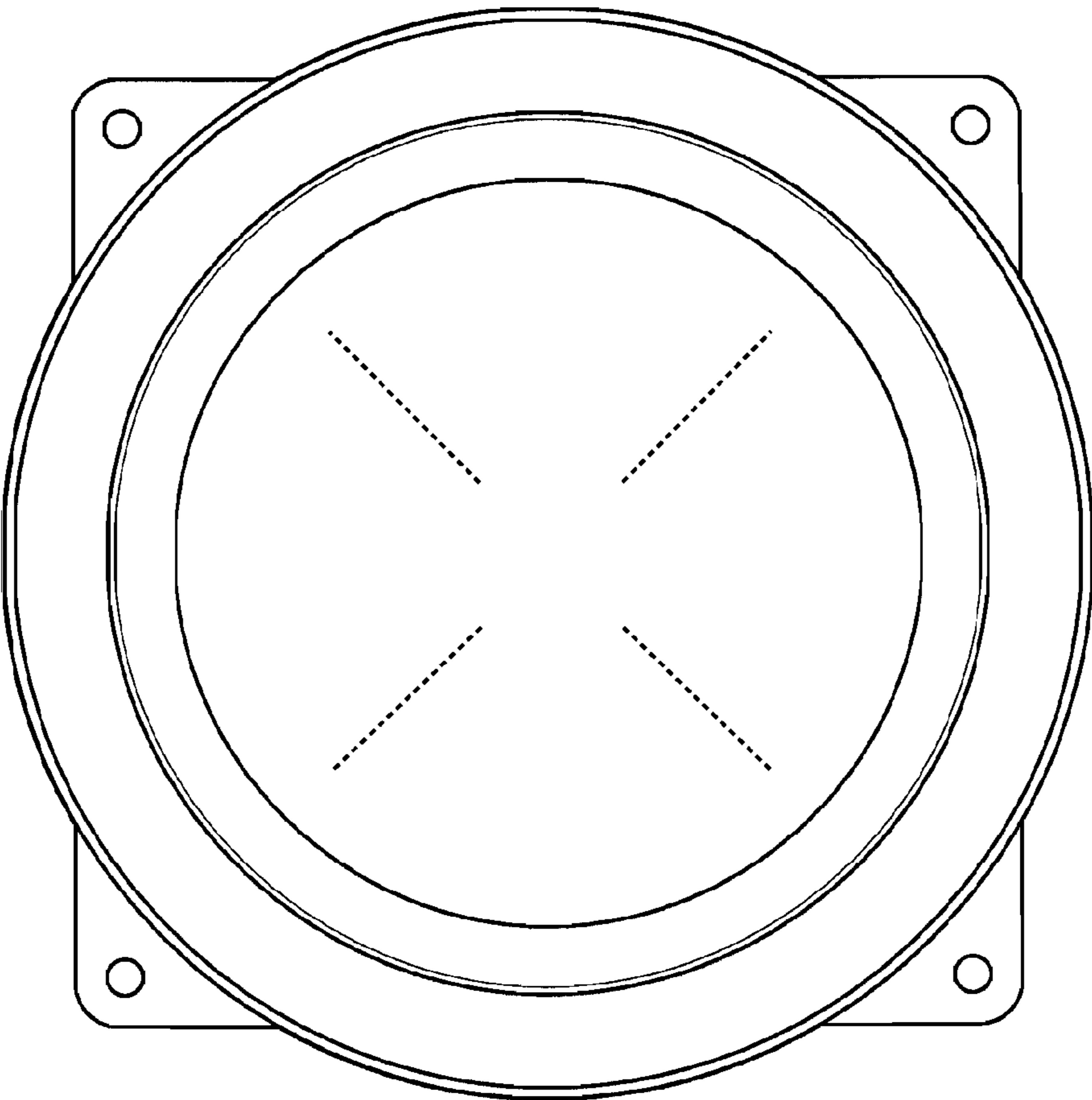


FIG. 3

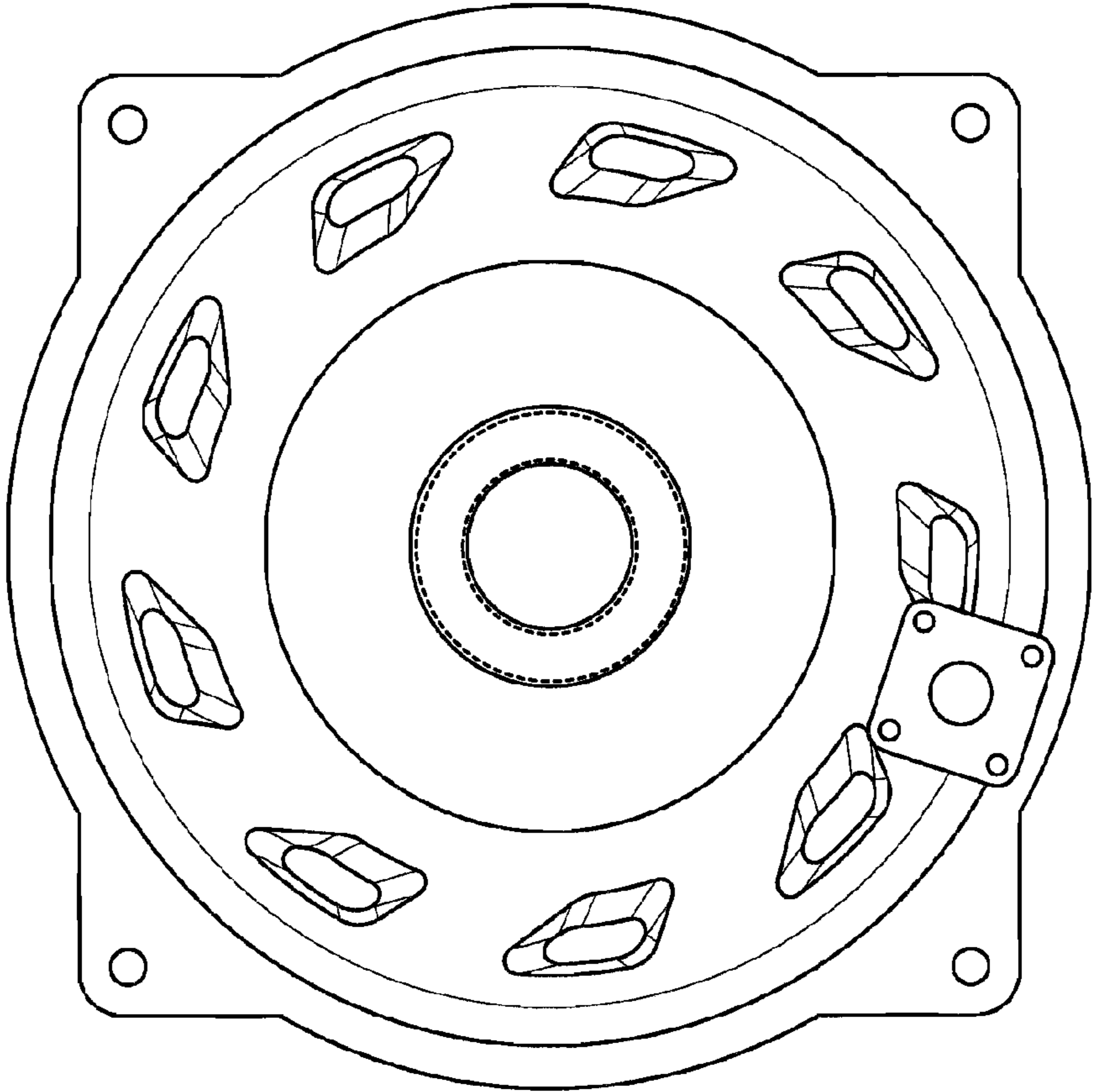
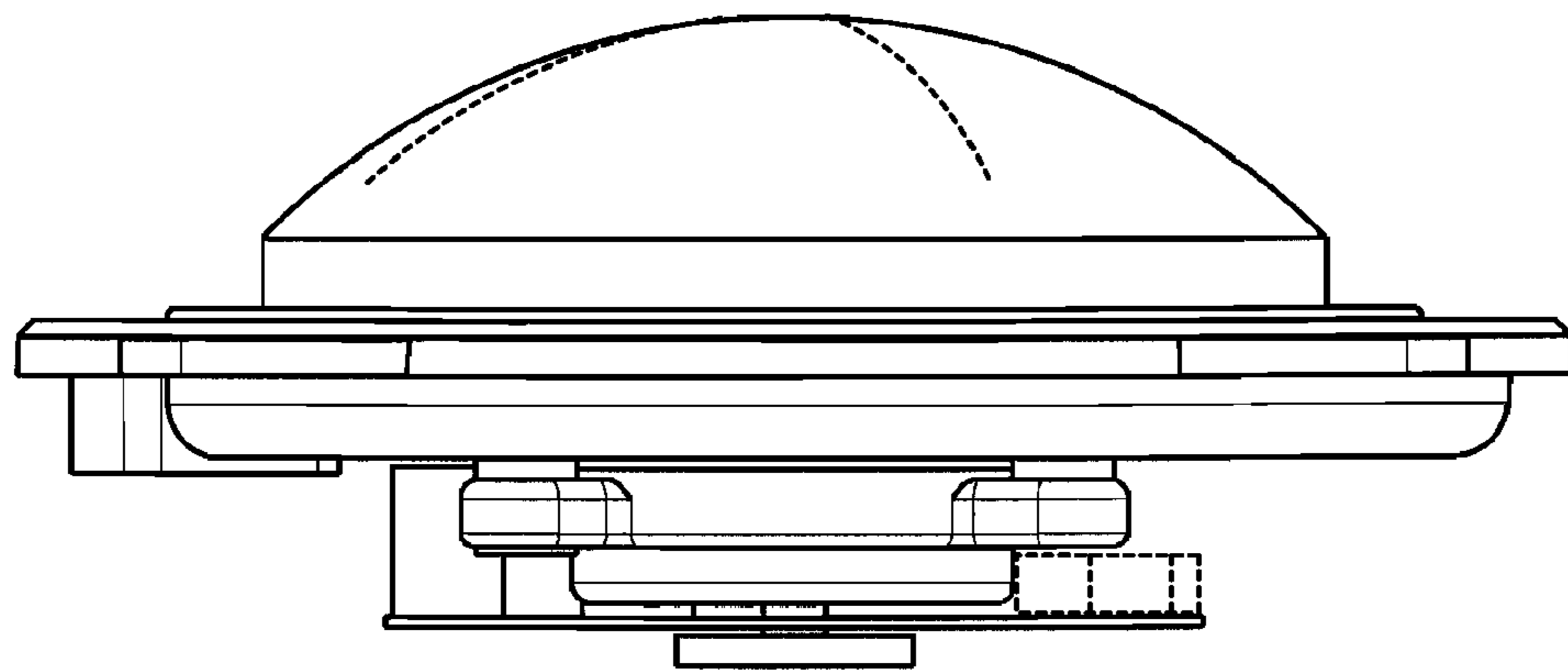
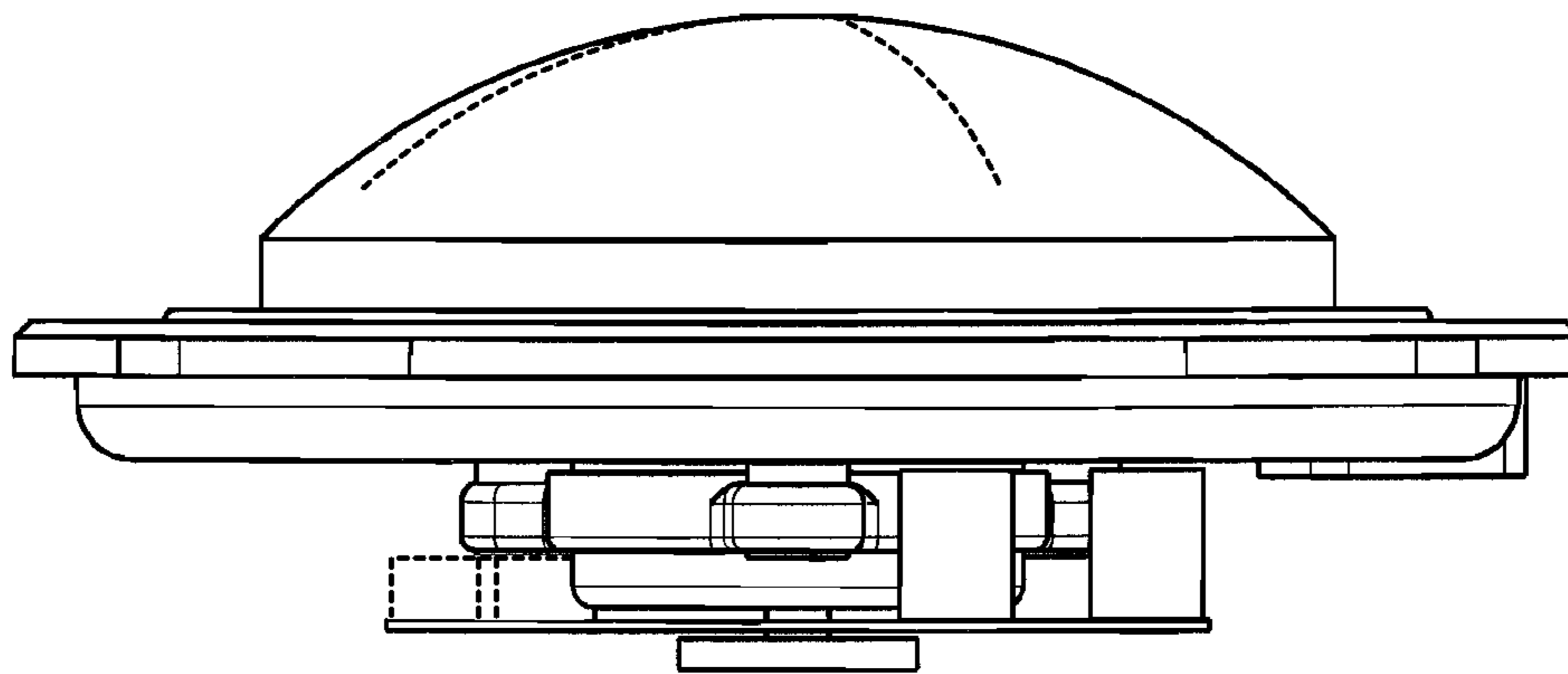


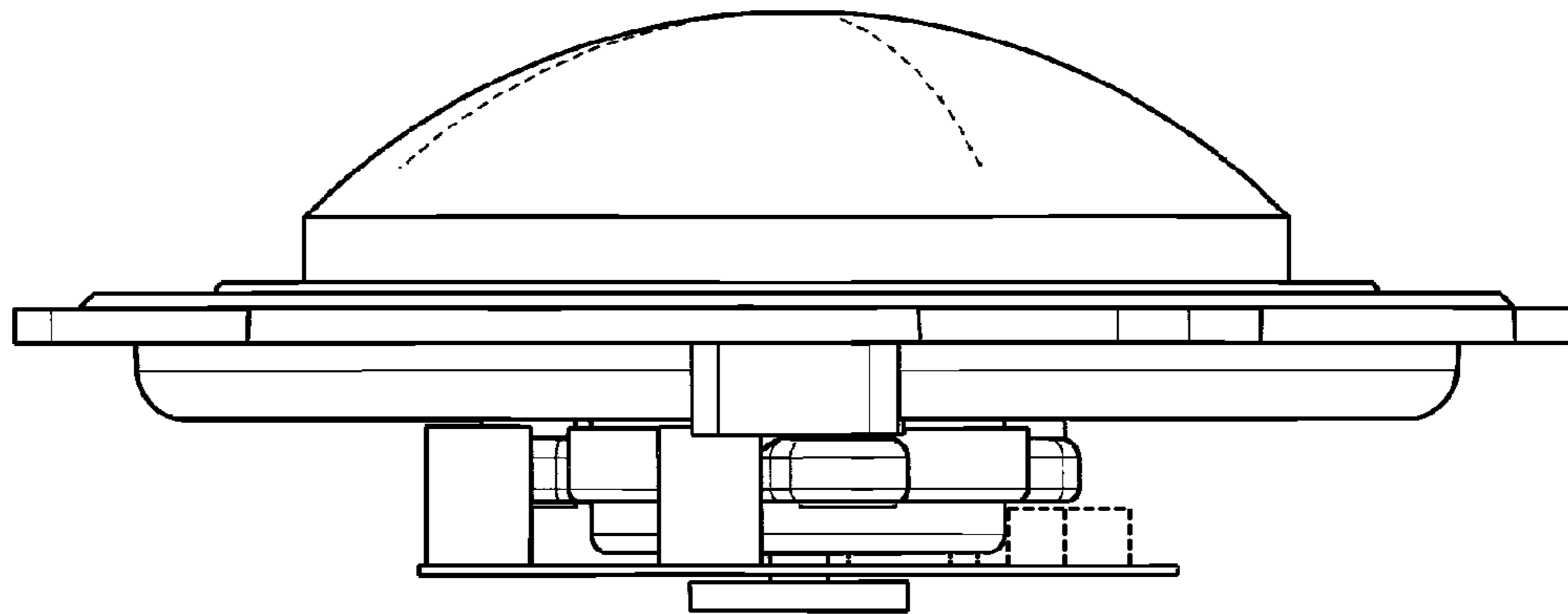
FIG. 4



**FIG. 5**

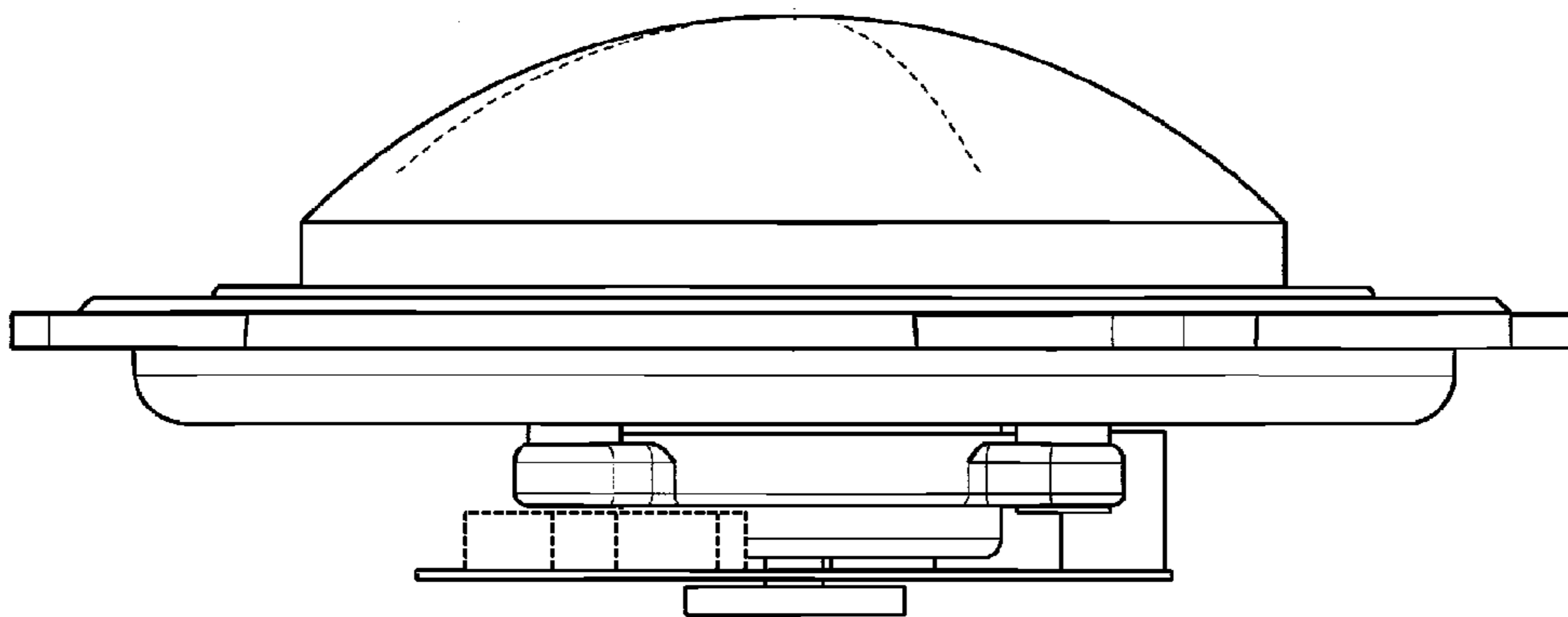


**FIG. 6**



**FIG. 7**





**FIG. 8**