



US00D642669S

(12) **United States Design Patent**
Cheek

(10) **Patent No.:** **US D642,669 S**

(45) **Date of Patent:** **** Aug. 2, 2011**

(54) **VENT CAP**

(76) Inventor: **Jerry Cheek**, Kosciusko, MS (US)

(**) Term: **14 Years**

(21) Appl. No.: **29/369,487**

(22) Filed: **Sep. 9, 2010**

(51) **LOC (9) Cl.** **23-04**

(52) **U.S. Cl.** **D23/393**

(58) **Field of Classification Search** D23/385-395,
D23/397, 370-373, 365, 351, 354, 399-403,
D23/260; 454/367, 309, 275-277, 284, 287-291,
454/358-363; 52/302.1, 32.07, 199
See application file for complete search history.

D380,038 S 6/1997 Bailey
D428,130 S * 7/2000 Zirk D23/393
6,244,006 B1 6/2001 Shue et al.
D486,891 S 2/2004 Cronce, Jr.
D606,186 S * 12/2009 Routh D23/393
D618,784 S * 6/2010 Underwood D23/393

* cited by examiner

Primary Examiner — David Muller

(74) *Attorney, Agent, or Firm* — Butler, Snow, O'Mara,
Stevens & Cannada PLLC

(57) **CLAIM**

I claim the ornamental design for a vent cap, as shown and described.

(56) **References Cited**

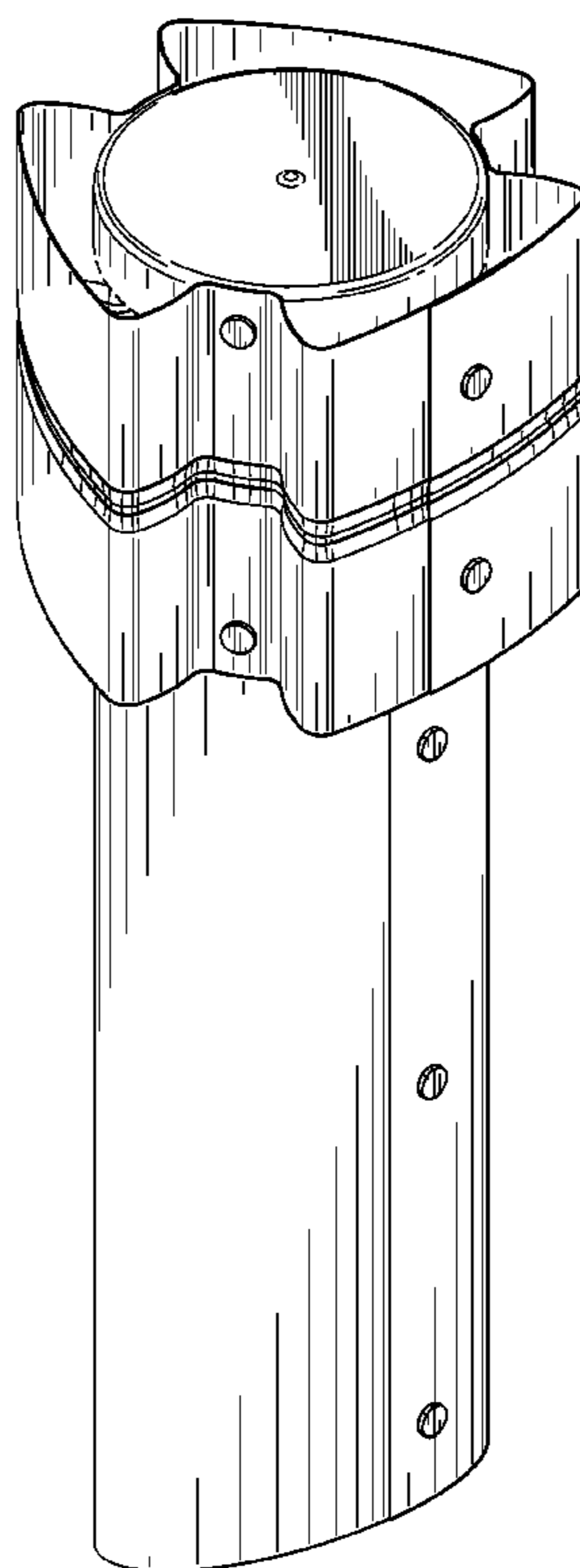
U.S. PATENT DOCUMENTS

1,509,996	A *	9/1924	Elting	D23/373
1,542,740	A *	6/1925	Spillman	454/367
1,728,494	A *	9/1929	Knutson	D23/373
D154,881	S *	8/1949	Rubin	D23/373
3,031,783	A *	5/1962	Burke	454/367
3,082,677	A *	3/1963	Pease	D23/373
4,115,961	A	9/1978	Bishop		
D254,803	S *	4/1980	Rusth et al.	D23/370
4,206,692	A	6/1980	Johnston		
4,370,919	A *	2/1983	Wagner et al.	454/367
4,399,743	A	8/1983	Izzi, Sr.		
4,624,176	A *	11/1986	Steinke	454/359
4,649,808	A *	3/1987	Ward et al.	454/367
4,955,167	A	9/1990	Holtgreve		

DESCRIPTION

FIG. 1 is a perspective view of the vent cap from above.
FIG. 2 is a perspective view of the vent cap from below.
FIG. 3 is the front elevational view thereof.
FIG. 4 is the right side elevational view thereof.
FIG. 5 is a rear elevational view.
FIG. 6 is the left side elevational view thereof.
FIG. 7 is a top plan view; and,
FIG. 8 is a bottom plan view.
The broken line showing of parts of the drawings is included for the purpose of illustrating use and environment and forms no part of the claimed design.

1 Claim, 7 Drawing Sheets



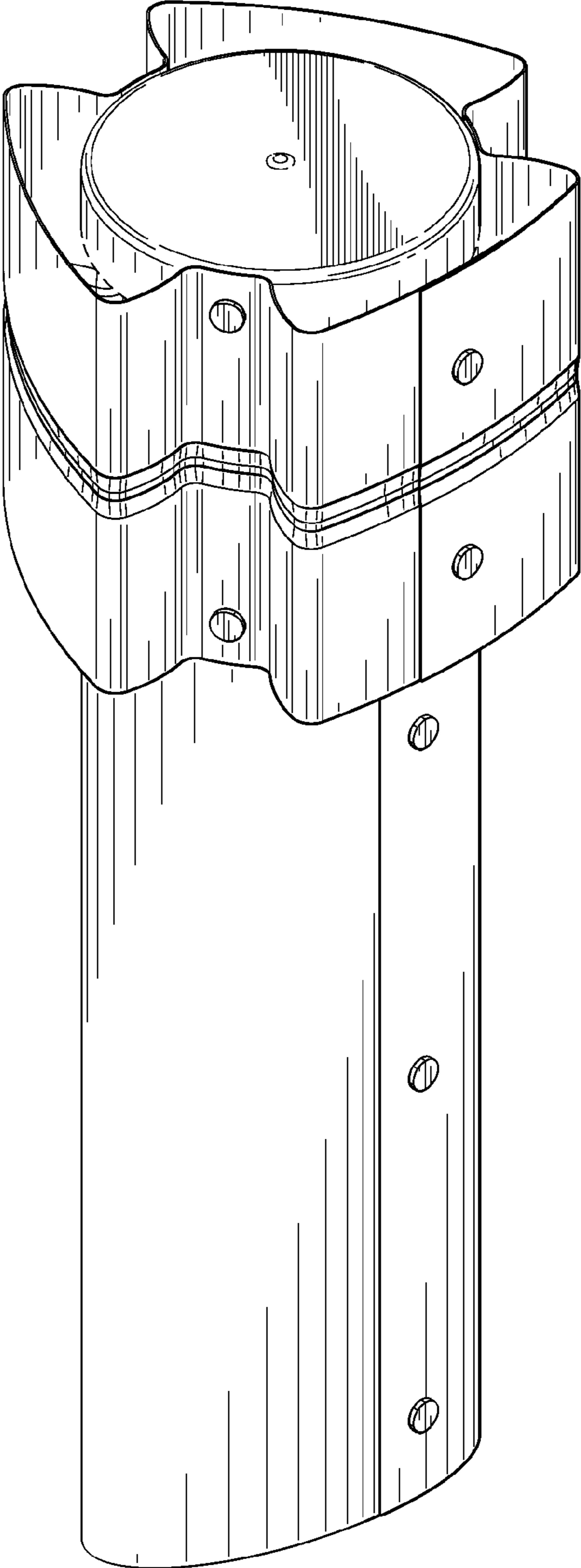


FIG. 1



FIG. 2

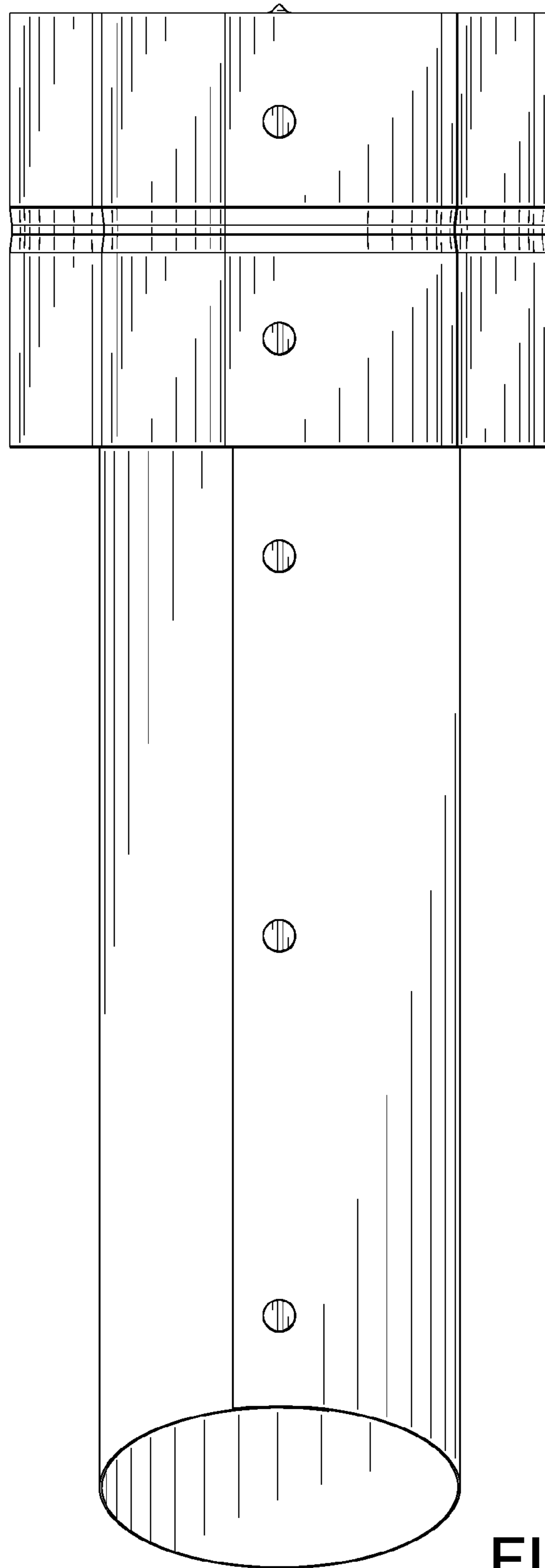


FIG. 3

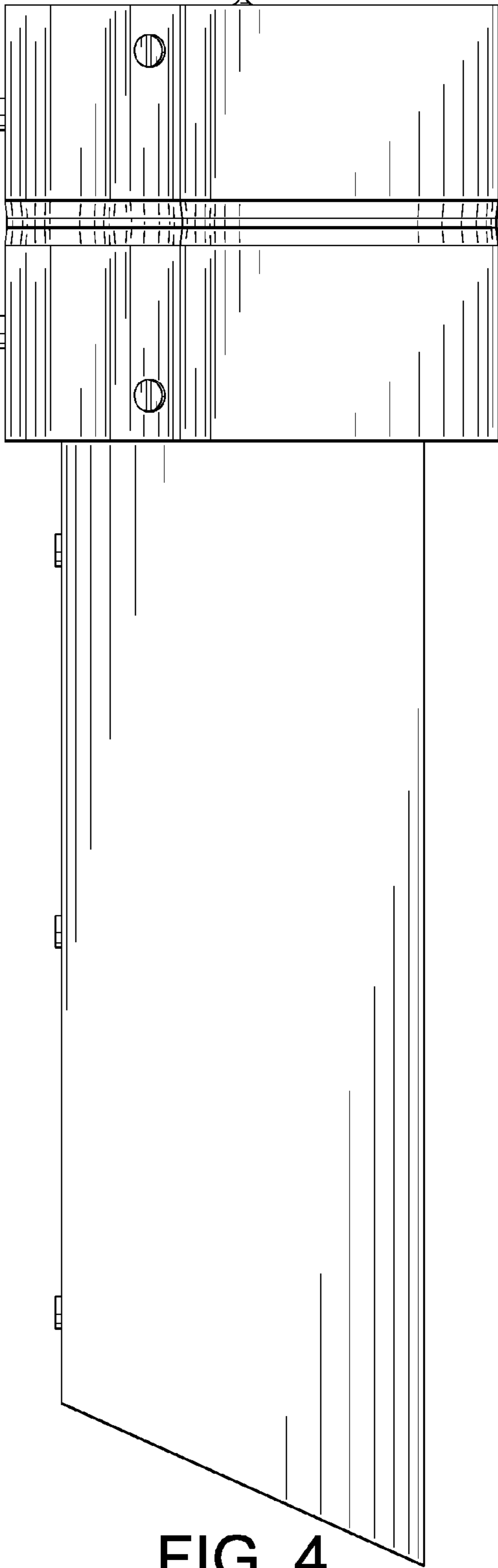


FIG. 4



FIG. 5

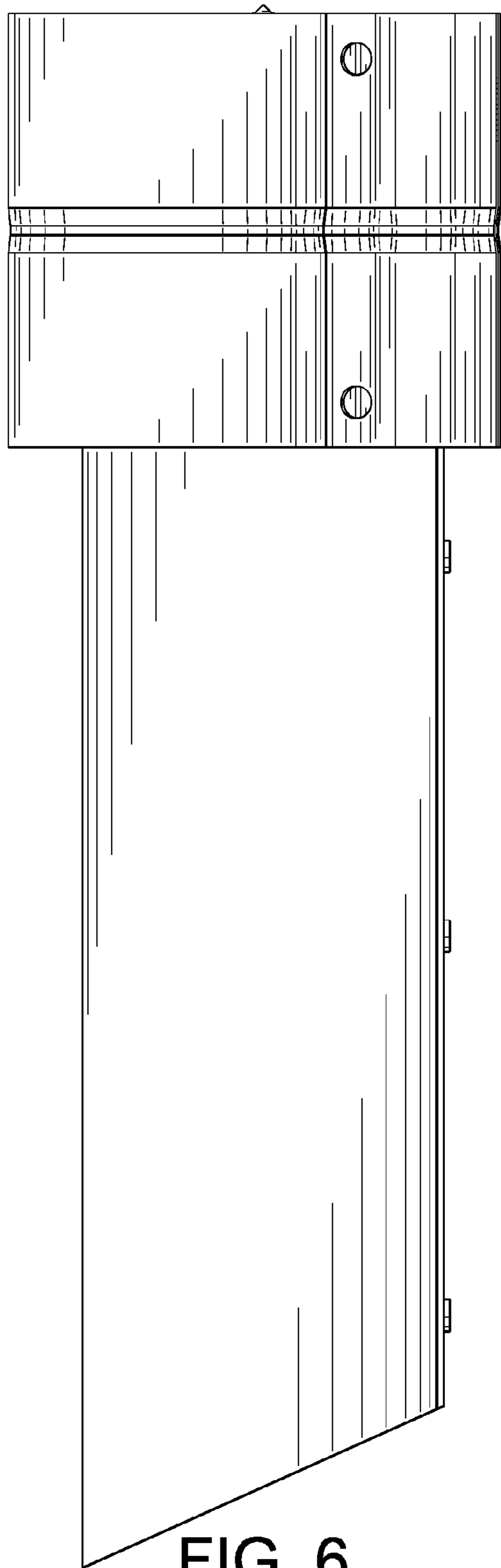


FIG. 6

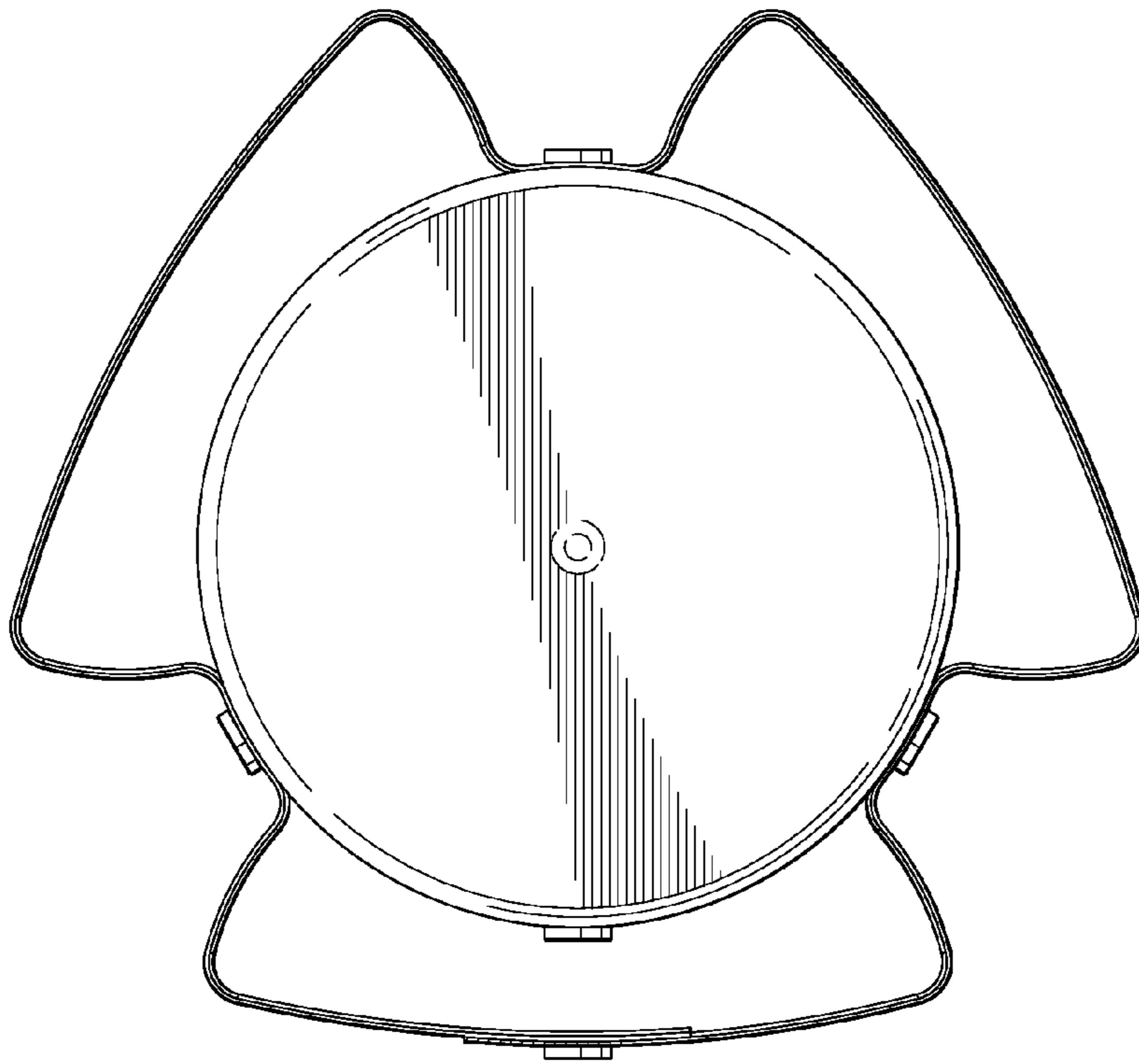


FIG. 7

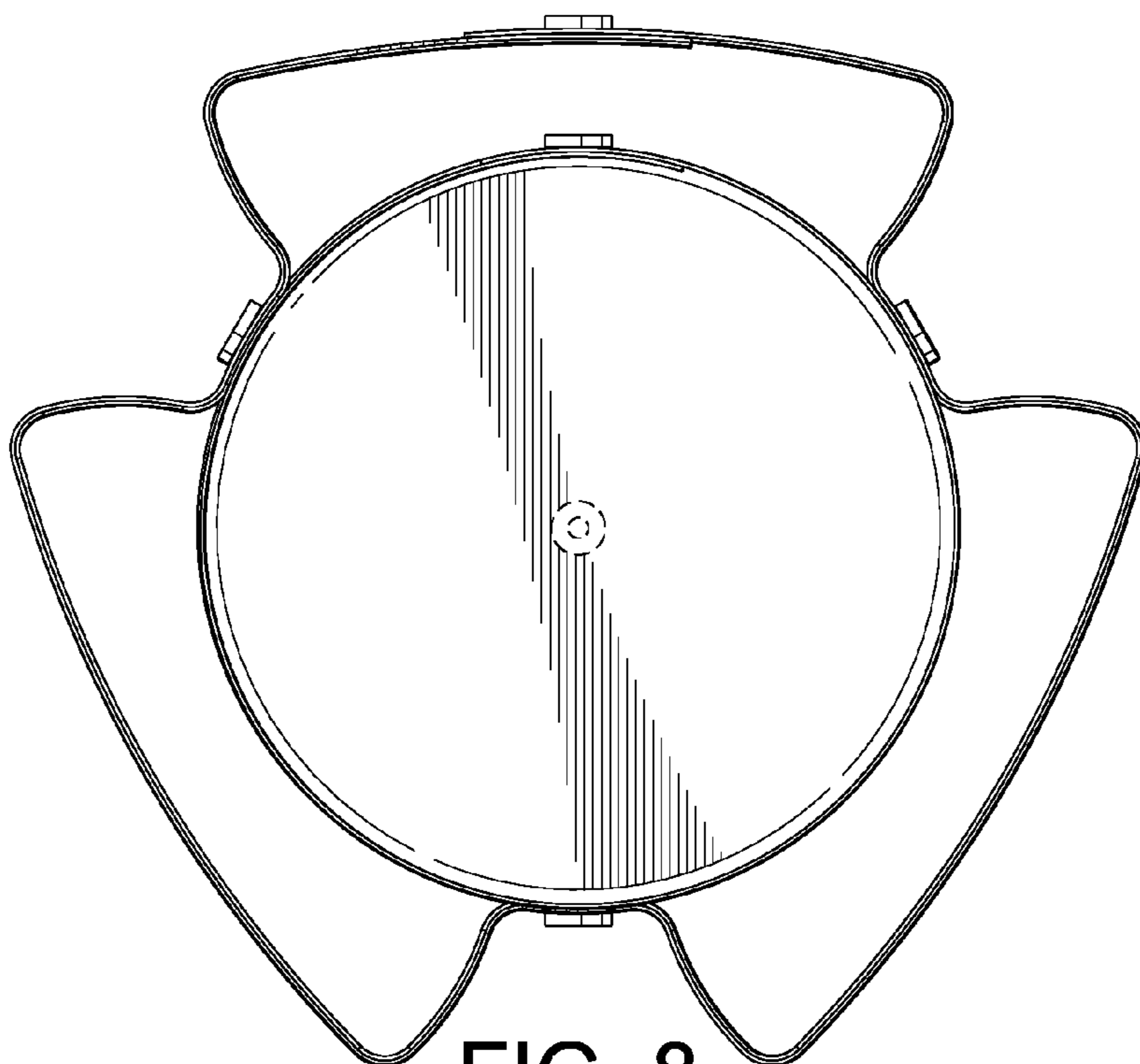


FIG. 8