



US00D642664S

(12) **United States Design Patent**  
**Rundberg et al.**

(10) **Patent No.:** **US D642,664 S**

(45) **Date of Patent:** **\*\* Aug. 2, 2011**

(54) **LAVATORY**

(75) Inventors: **Michelle L. Rundberg**, Jackson, WI (US); **Dale S. DiIulio**, Saukville, WI (US)

(73) Assignee: **Bradley Fixtures Corporation**, Menomonee Falls, WI (US)

(\*\*) **Term:** **14 Years**

(21) **Appl. No.:** **29/384,318**

(22) **Filed:** **Jan. 28, 2011**

**Related U.S. Application Data**

(60) Continuation of application No. 29/369,968, filed on Sep. 15, 2010, now Pat. No. Des. 633,992, which is a division of application No. 29/345,991, filed on Oct. 23, 2009, now Pat. No. Des. 625,792.

(51) **LOC (9) Cl.** ..... **23-02**

(52) **U.S. Cl.** ..... **D23/308**

(58) **Field of Classification Search** ..... D23/284–287,  
D23/293.1, 303, 308

See application file for complete search history.

(56) **References Cited**

**U.S. PATENT DOCUMENTS**

2,140,157	A	12/1938	Huffman	
4,197,611	A	4/1980	Bell et al.	
D370,826	S	6/1996	Thurlow	
D468,815	S	1/2003	Kahle et al.	
D469,655	S	2/2003	Ryan et al.	
D474,835	S	5/2003	Kahle et al.	
D496,219	S	9/2004	Rae	
D501,674	S	2/2005	Adkison	
D506,350	S	6/2005	Cheng	
D512,266	S	12/2005	Munari	
D534,031	S	12/2006	Roussard	
D539,879	S *	4/2007	Stein	D23/293.1
D545,415	S *	6/2007	Tani et al.	D23/293.1
D560,782	S *	1/2008	Marshall et al.	D23/293.1

D560,783	S	1/2008	Marshall et al.	
D560,784	S	1/2008	Marshall et al.	
D562,621	S	2/2008	Kloppsteck	
D579,714	S	11/2008	Cheng et al.	
D589,295	S	3/2009	Rohrer	
D599,164	S	9/2009	Hoekstra	
D611,128	S *	3/2010	Soulier	D23/293.1
D617,139	S	6/2010	Rae	
D618,491	S	6/2010	Welk et al.	
2004/0060936	A1	4/2004	Logiudice	
2005/0223485	A1	10/2005	Nijhof	

**OTHER PUBLICATIONS**

Blanco Zeus product from Cosentino S.A., Showroom Bathroom, printed on Jul. 15, 2009 from [http://www.silestone.com/uk/showroom\\_wc.asp](http://www.silestone.com/uk/showroom_wc.asp), 1 page.

(Continued)

*Primary Examiner* — Robert A Delehanty

(74) *Attorney, Agent, or Firm* — Foley & Lardner LLP

(57) **CLAIM**

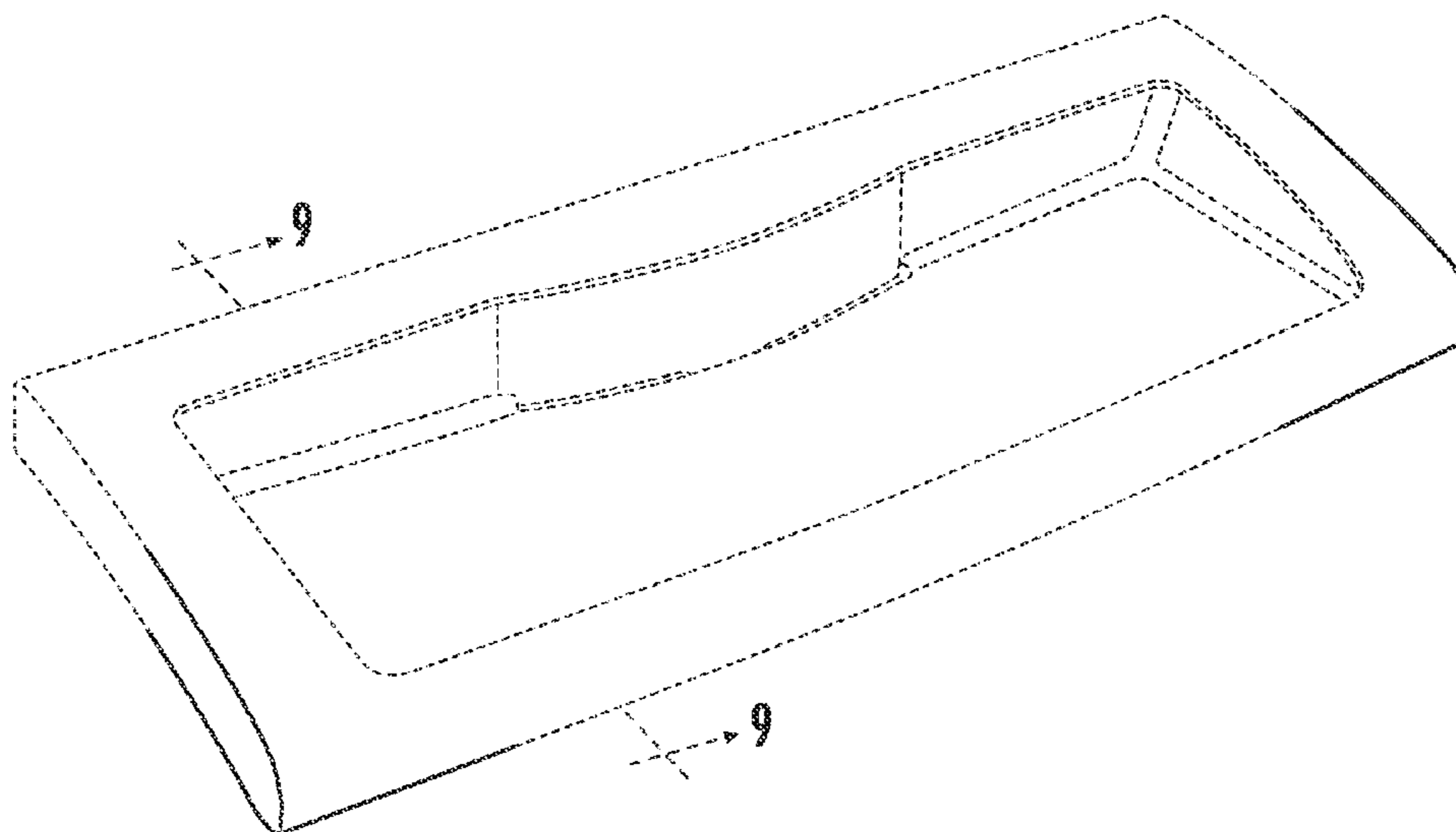
We claim the ornamental design for a lavatory, as shown and described.

**DESCRIPTION**

FIG. 1 is a top perspective view of a claimed design; FIG. 2 is a bottom perspective view thereof; FIG. 3 is a top view thereof; FIG. 4 is a bottom view thereof; FIG. 5 is a front view thereof; FIG. 6 is a rear view thereof; FIG. 7 is a right side view thereof; FIG. 8 is a left side view thereof; and, FIG. 9 is a section view thereof taken along line 9—9 in FIG. 1.

The ornamental design which is claimed is shown in solid lines in the drawings. The broken lines in the drawings are for illustrative purposes only and form no part of the claimed design.

**1 Claim, 7 Drawing Sheets**



OTHER PUBLICATIONS

Quick Drain™ USA, "Mechanical drawings of low profile side outlet shower drain and linear wall channel drains from Quick Drain USA", accessed from [http://www.quickdrainusa.com/drawings/quick\\_drain\\_drawings.html](http://www.quickdrainusa.com/drawings/quick_drain_drawings.html) on Apr. 13, 2009, 7 pages.

Quick Drain USA: Updating the Old Round Center Drain, published at least by Apr. 13, 2009, 1 page.

Neo-Metro, "5/5" Ebb® Concept Wall Mounted", last revised on May 8, 2008, 4 pages.

Neo-Metro, "Installation Instructions", date revised Aug. 28, 2008, 1 page.

Neo-Metro, "Installation Instructions", date revised Jul. 31, 2008, 1 page.

Neo-Metro, images printed from website <http://www.neo-metro.com/images/lindewgs/sch9112-wm.jpg> on Feb. 5, 2009, 1 page.

\* cited by examiner

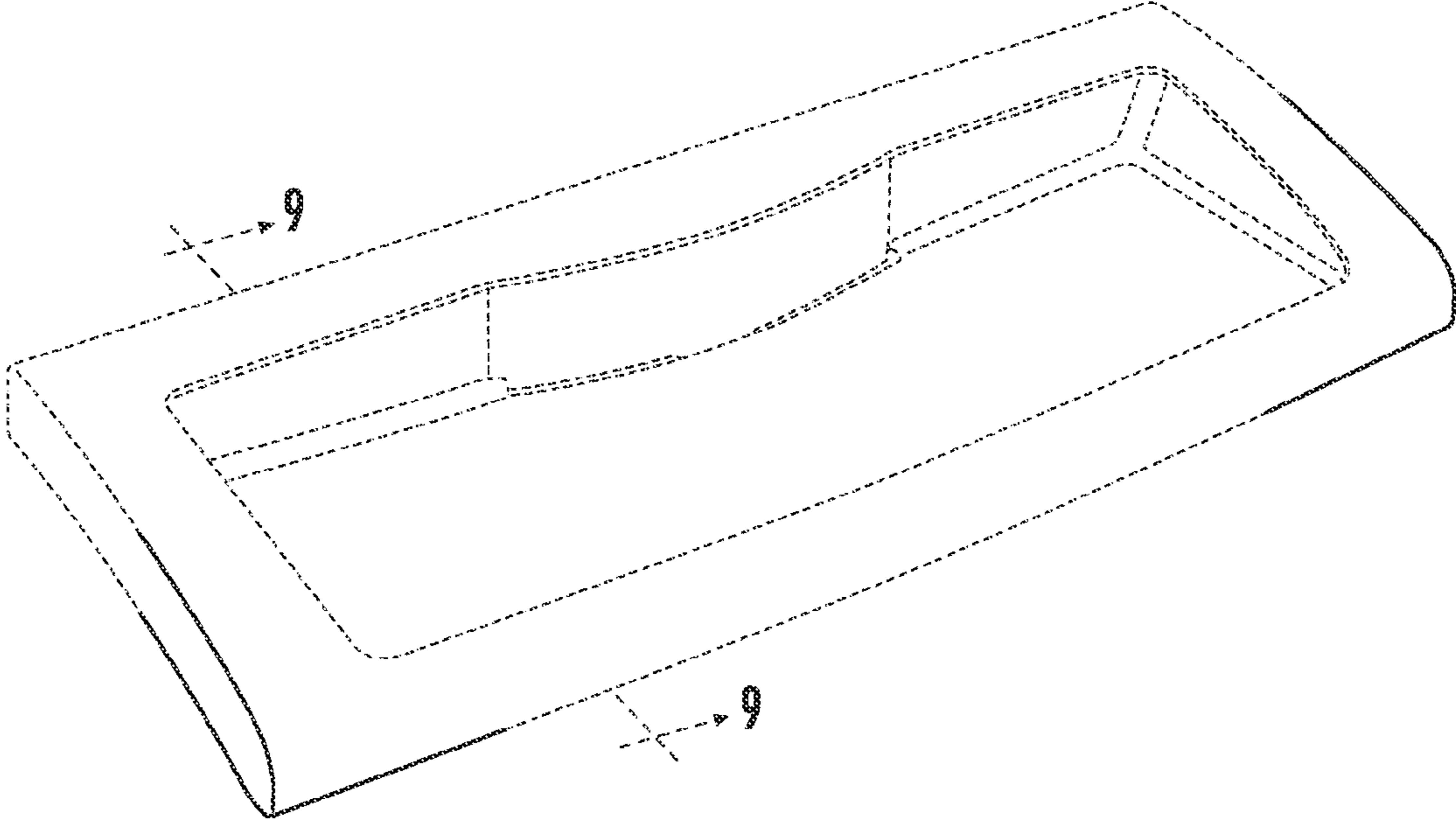


FIG. 1

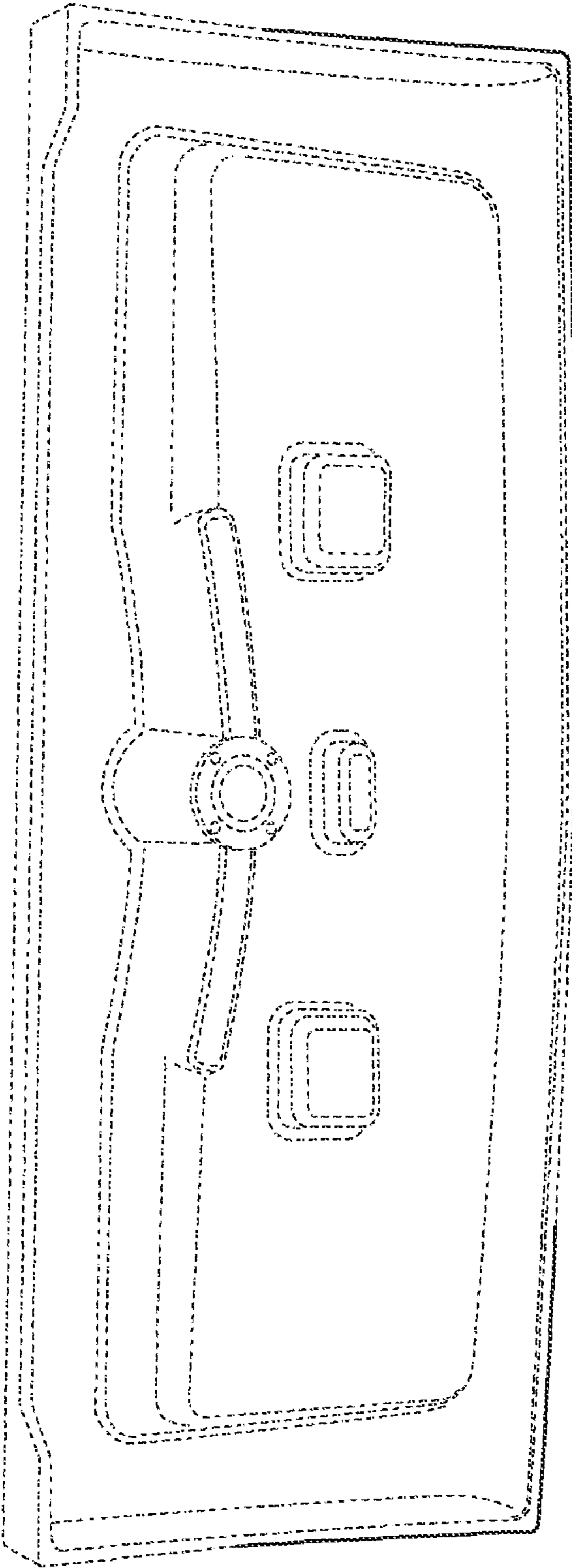


FIG. 2

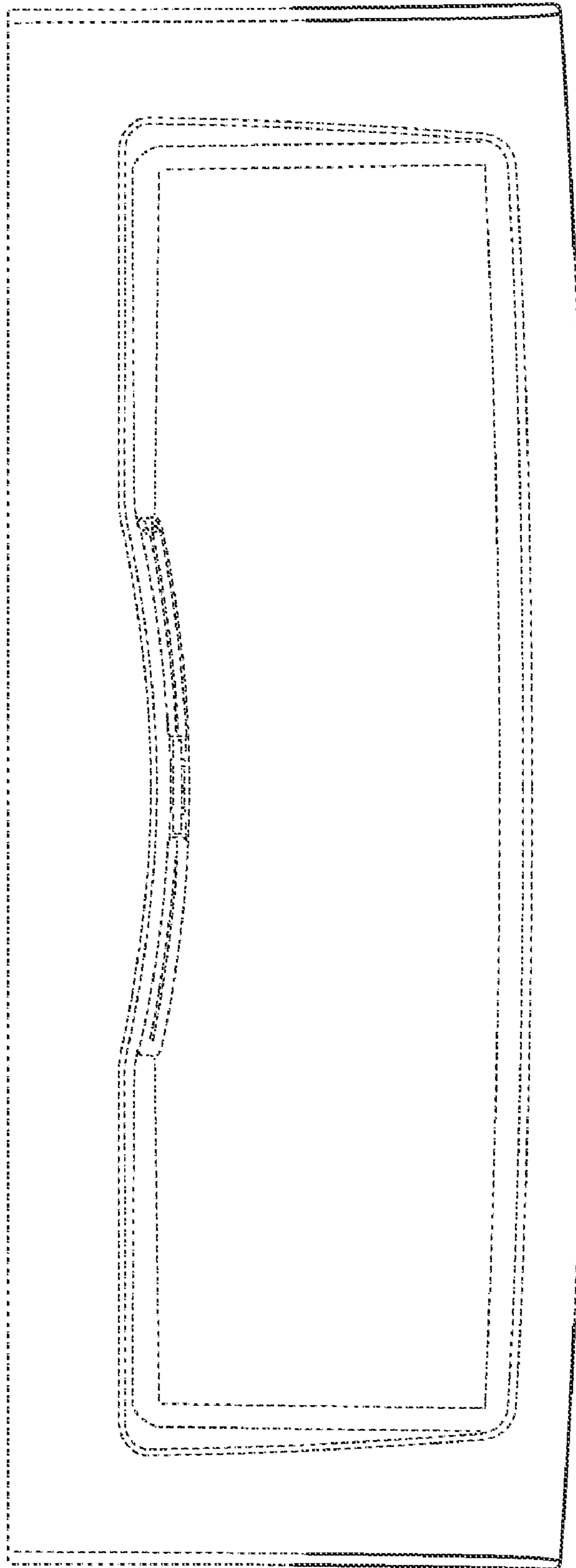


FIG. 3

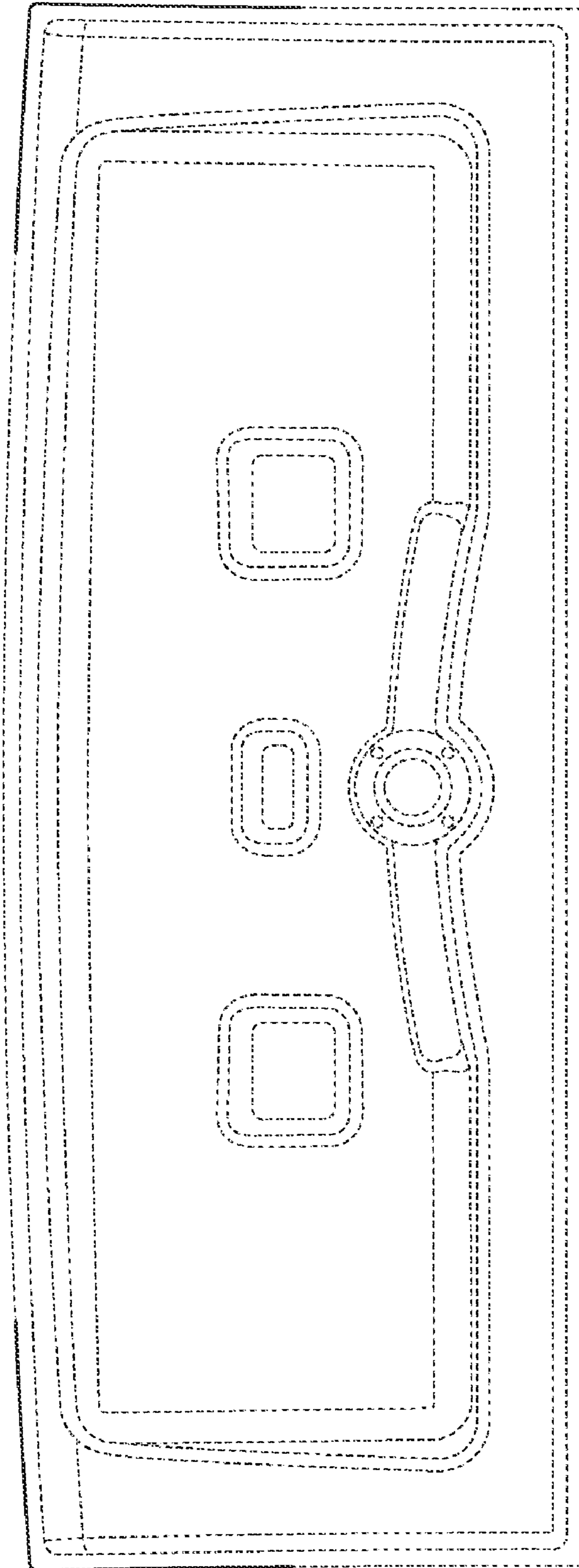


FIG. 4

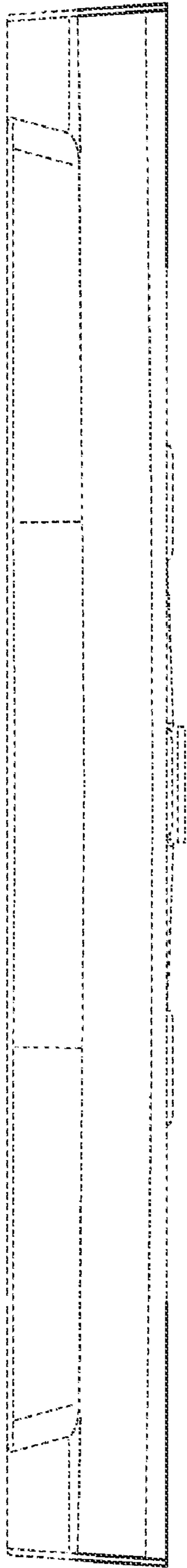


FIG. 5

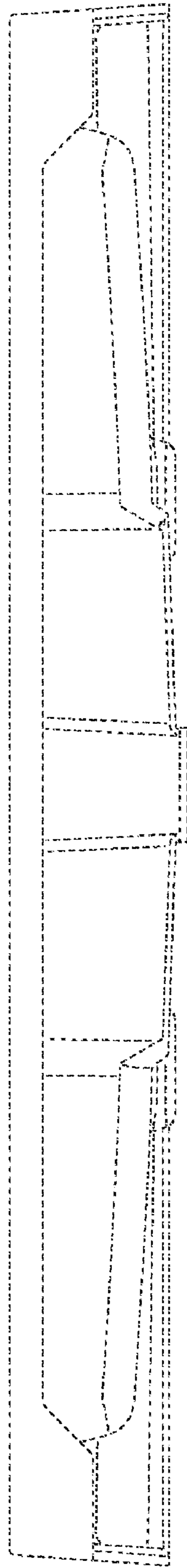
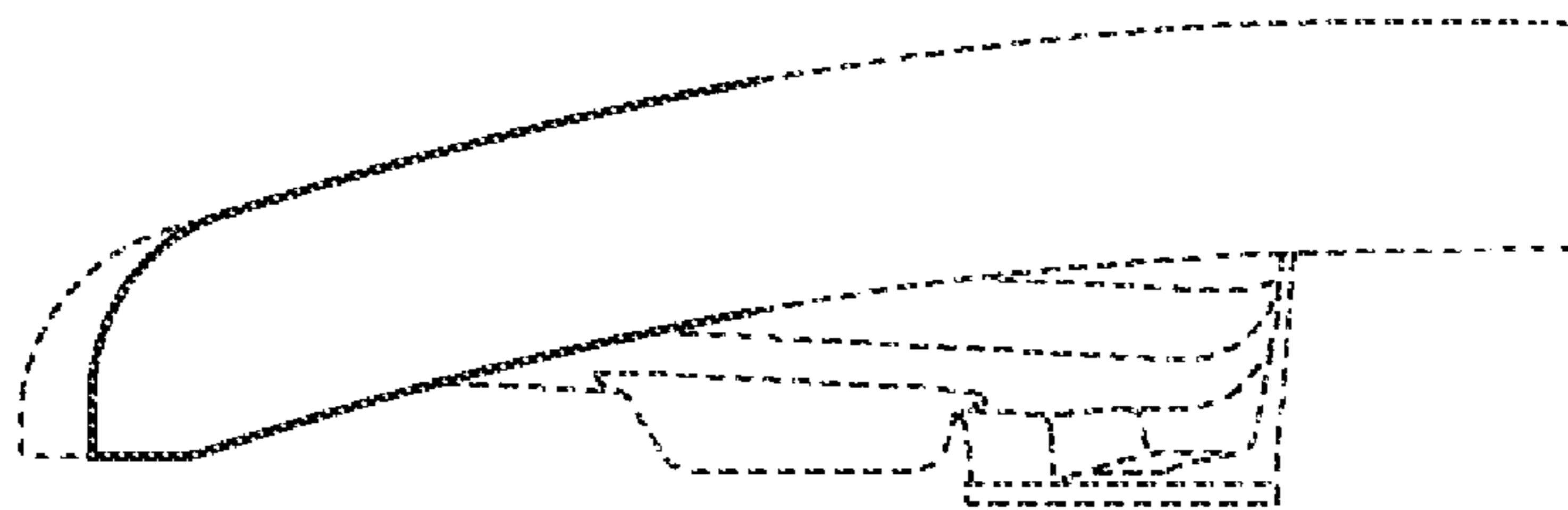
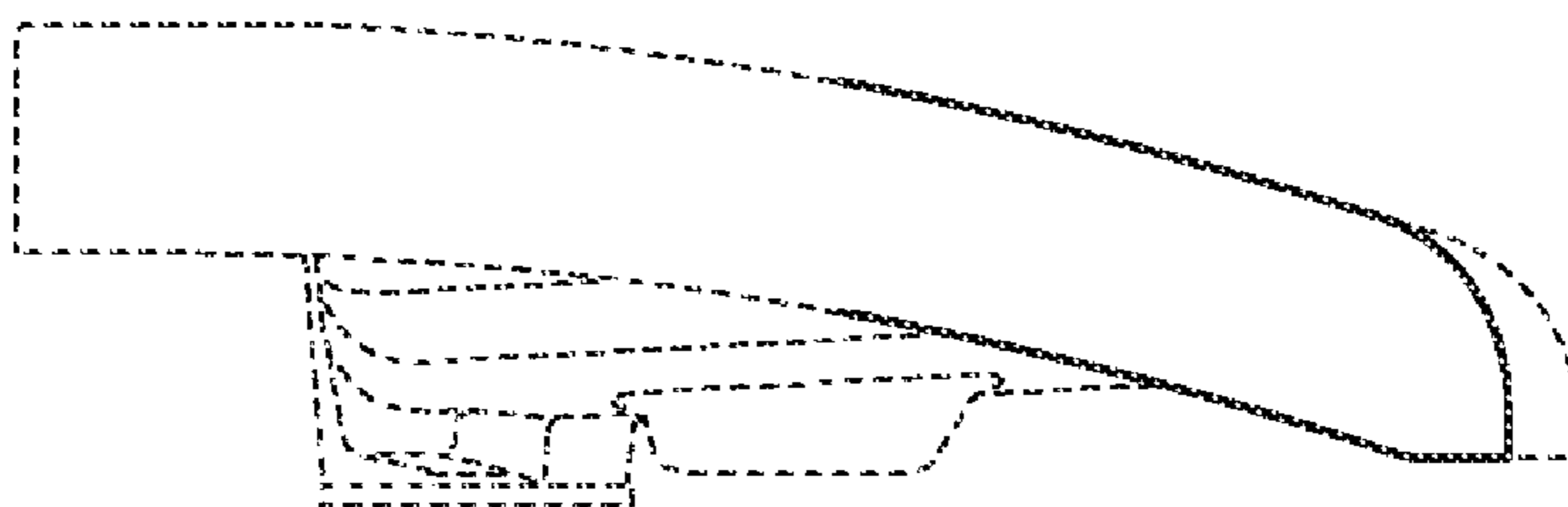


FIG. 6



**FIG. 7**



**FIG. 8**



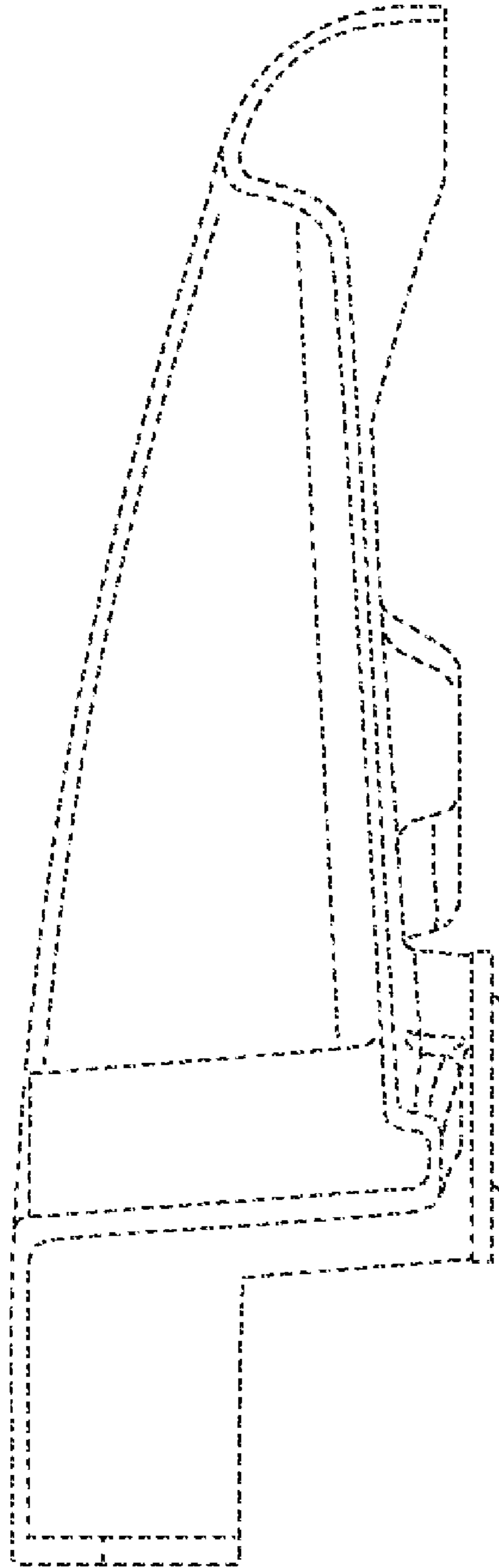


FIG. 9