



US00D642663S

(12) **United States Design Patent**  
**Dosne**

(10) **Patent No.:** **US D642,663 S**

(45) **Date of Patent:** **\*\* Aug. 2, 2011**

(54) **TUB FOR BATHING**

(75) Inventor: **Baptiste Dosne**, Paris (FR)

(73) Assignee: **Kohler France SAS**, Paris (FR)

(\*\*) Term: **14 Years**

(21) Appl. No.: **29/339,131**

(22) Filed: **Jun. 24, 2009**

(30) **Foreign Application Priority Data**

Dec. 24, 2008 (EM) ..... 001063382-0002

(51) **LOC (9) Cl.** ..... **23-02**

(52) **U.S. Cl.** ..... **D23/304**

(58) **Field of Classification Search** ..... D23/277,  
D23/280.1, 303-304; 4/573.1, 538, 575.1;  
D24/204

See application file for complete search history.

(56) **References Cited**

**U.S. PATENT DOCUMENTS**

D253,367 S \* 11/1979 Weaver ..... D23/280.1  
D456,881 S \* 5/2002 Thomas et al. .... D23/277  
D510,421 S \* 10/2005 Firlotte ..... D23/304  
D594,940 S \* 6/2009 Bates ..... D23/277

**OTHER PUBLICATIONS**

Jiaying Linsheng Hydraulic Tools Co., Ltd. "Massage Bathtub—Wonper", Alibaba online catalog. Copyright 1999-2008 Alibaba.com.

Neptune Asia. "70x36x22 1/4 Free Standing Soaker Tub", BathingBarn.com online catalog. Copyright 2002-2006 Bathing Barn Inc.

Kohler Co. "Manposa 6' Bath", Model No. K-1259. Kohler Co. online catalog. Copyright 2009 Kohler Co.

\* cited by examiner

*Primary Examiner* — Robert Delehanty

(74) *Attorney, Agent, or Firm* — Quarles & Brady LLP

(57) **CLAIM**

The ornamental design for a tub for bathing, as shown and described.

**DESCRIPTION**

FIG. 1 is a left, top, front perspective view of a tub for bathing embodying our new design;

FIG. 2 is a front elevational view thereof;

FIG. 3 is a top plan view thereof;

FIG. 4 is a left side elevational view thereof, the right side elevational view thereof being a mirror image of the left side shown;

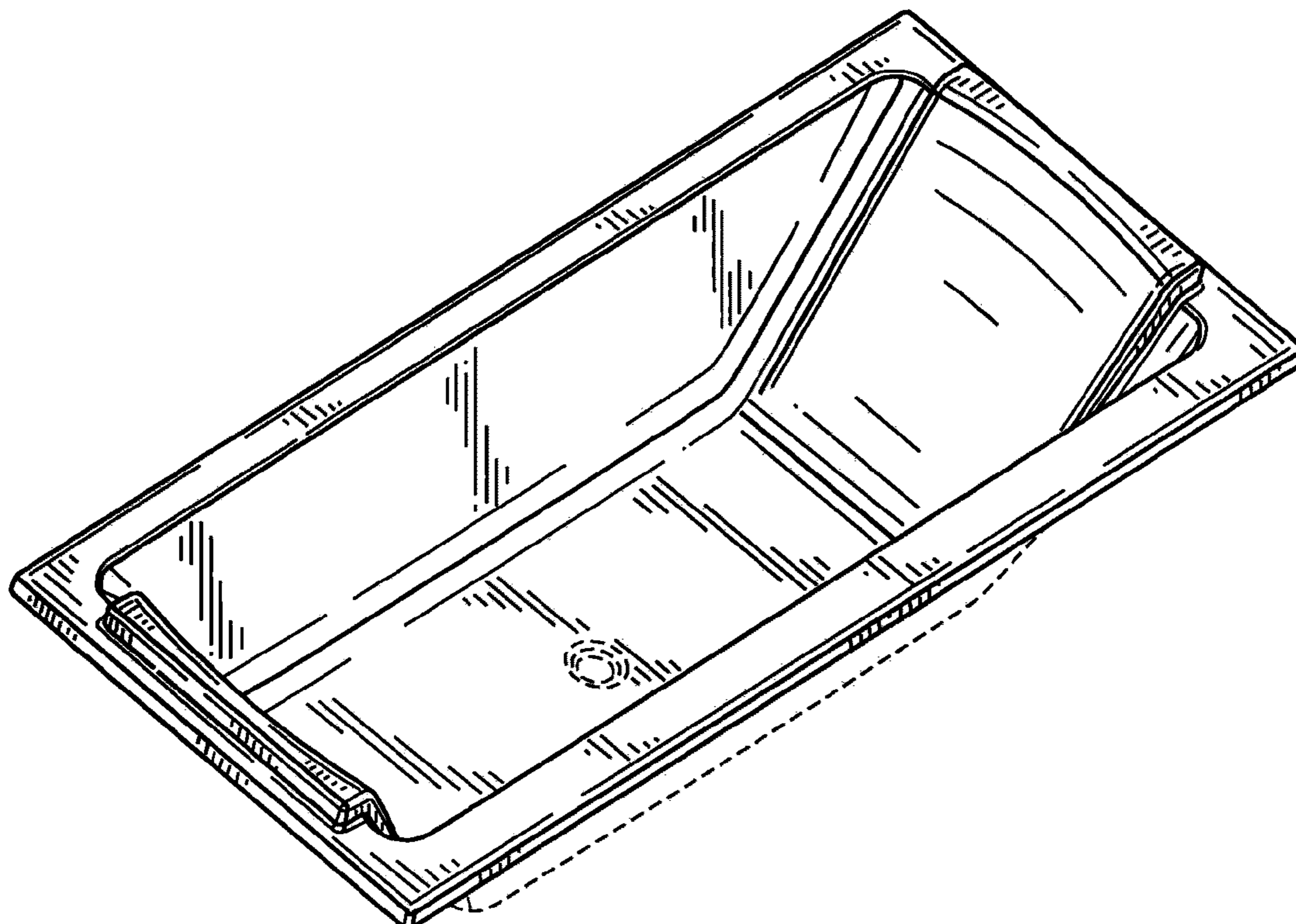
FIG. 5 is a rear elevational view thereof; and,

FIG. 6 is a bottom plan view thereof.

The broken line representations in the figures are for the purpose of illustration only, and form no part of the claimed design.

In a preferred embodiment, the nature of this product is as a plumbing fixture in the form of a bathing tub primary useful for washing the human body.

**1 Claim, 3 Drawing Sheets**



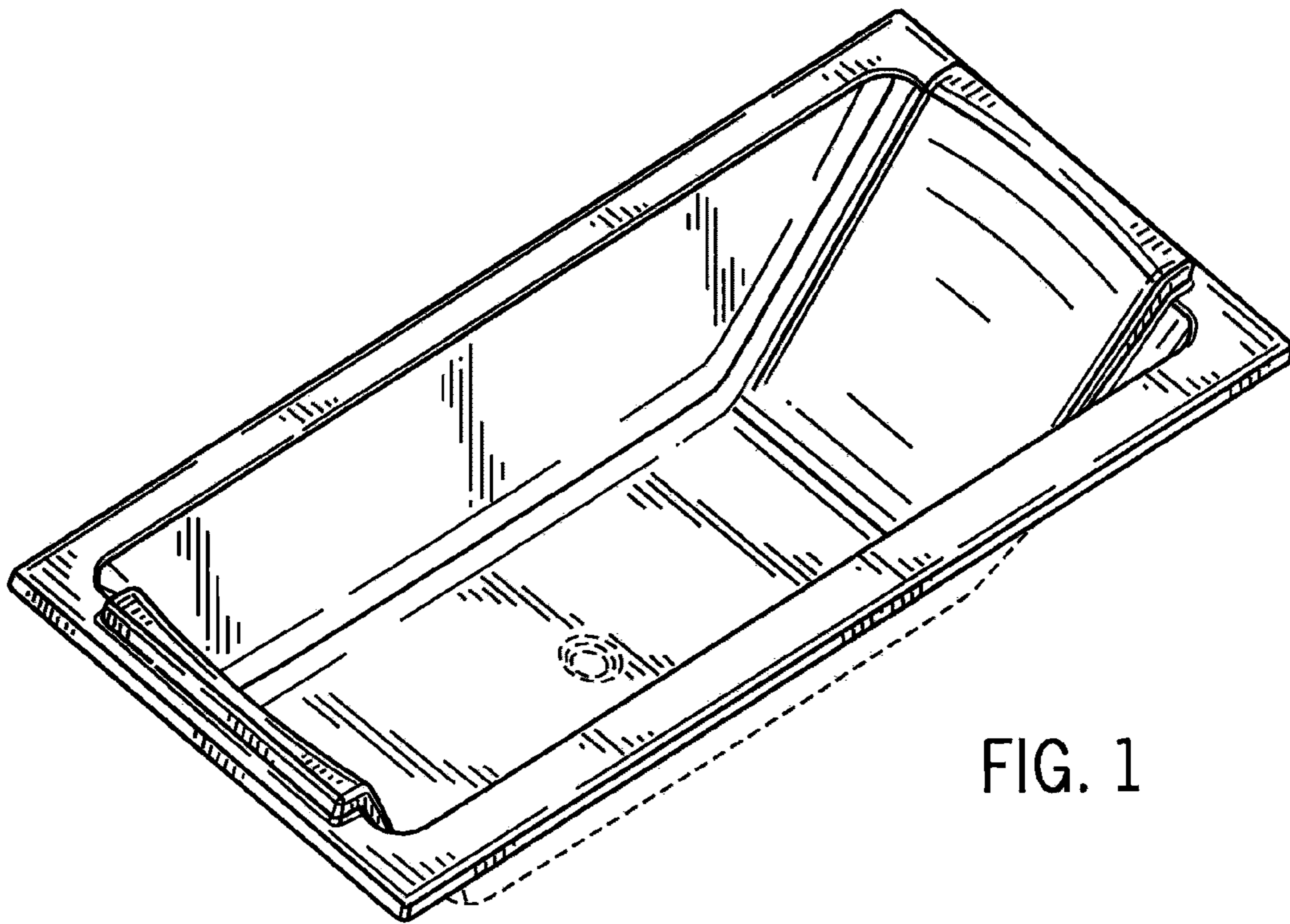


FIG. 1

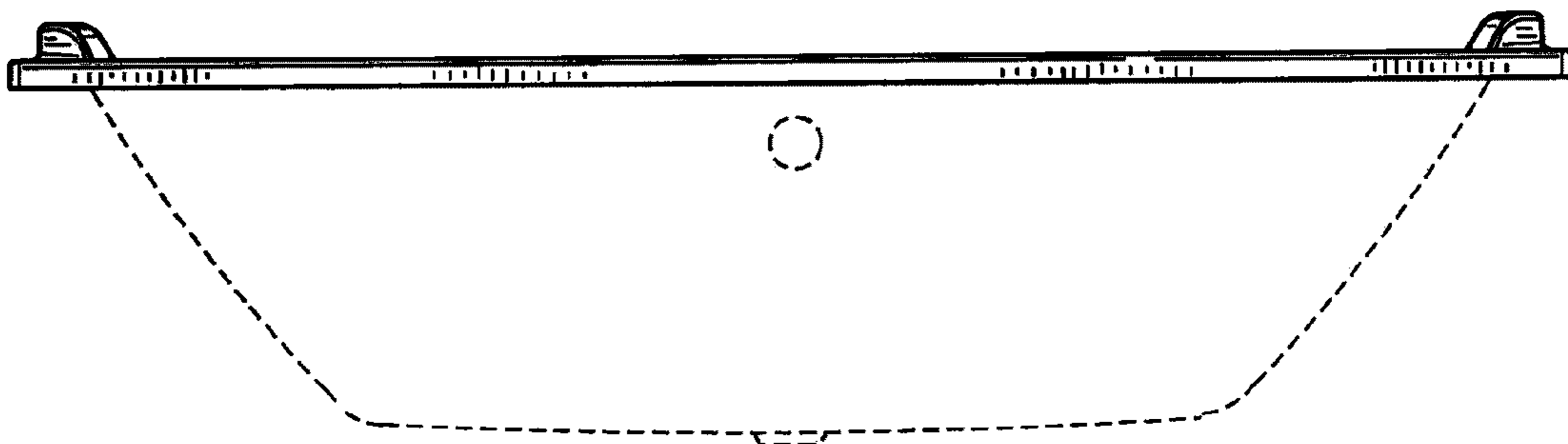


FIG. 2

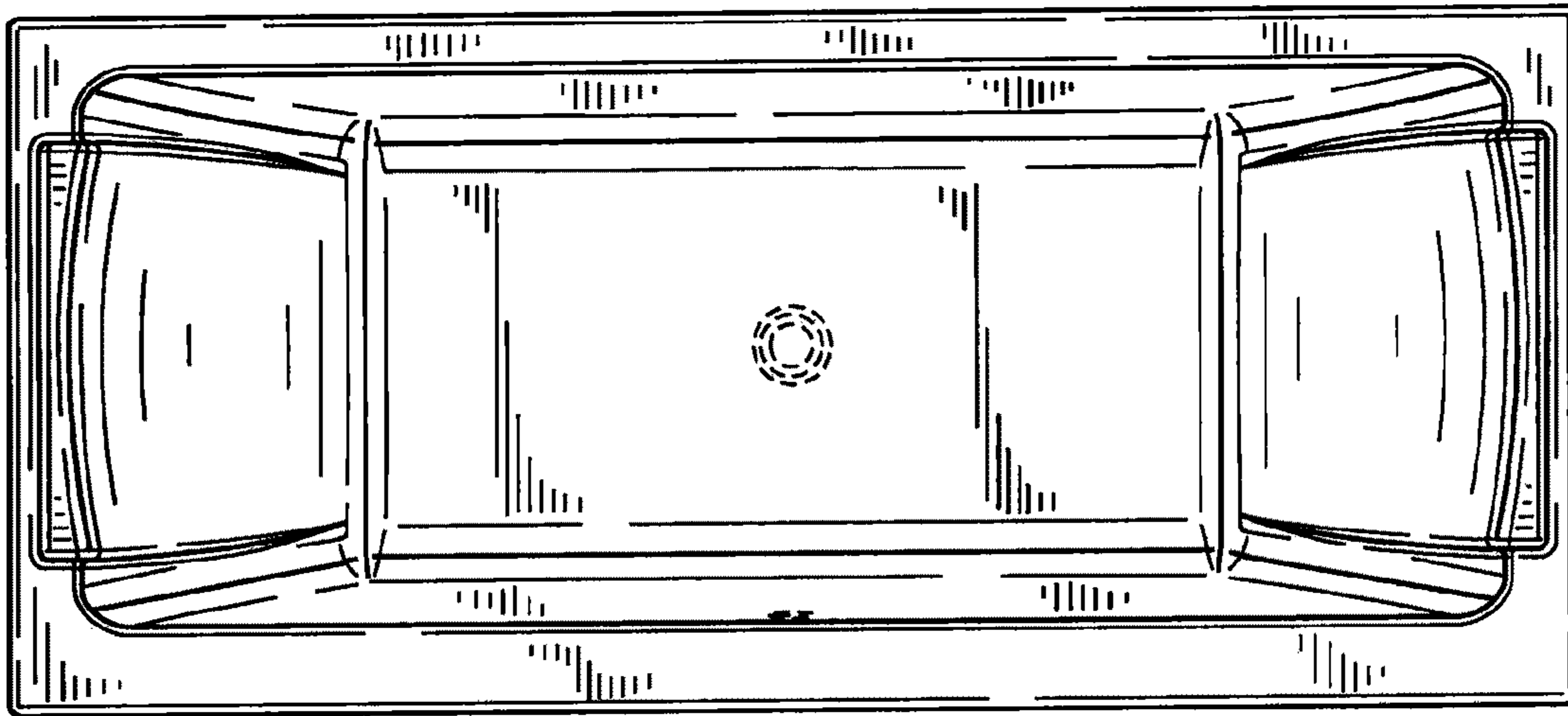


FIG. 3

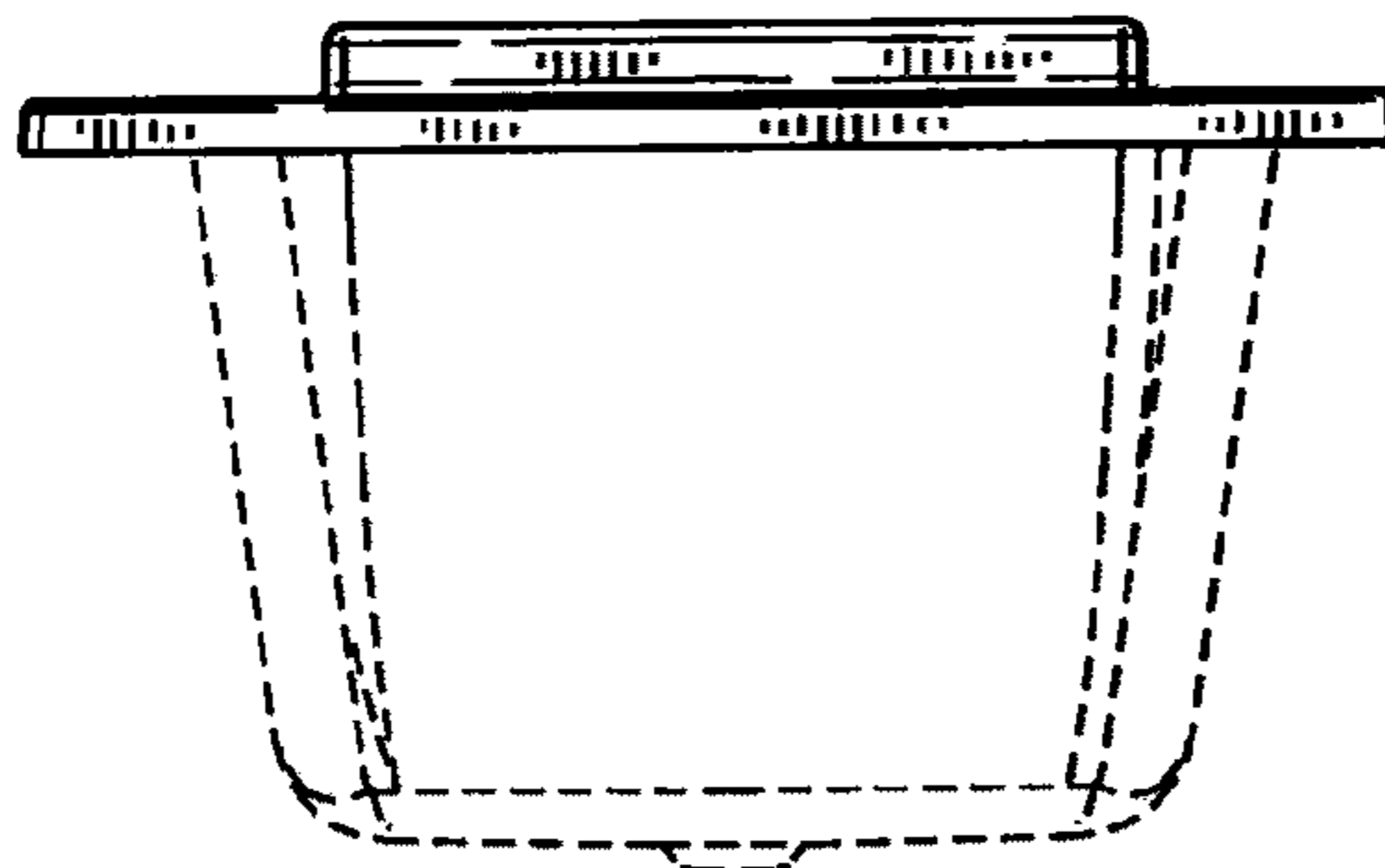


FIG. 4

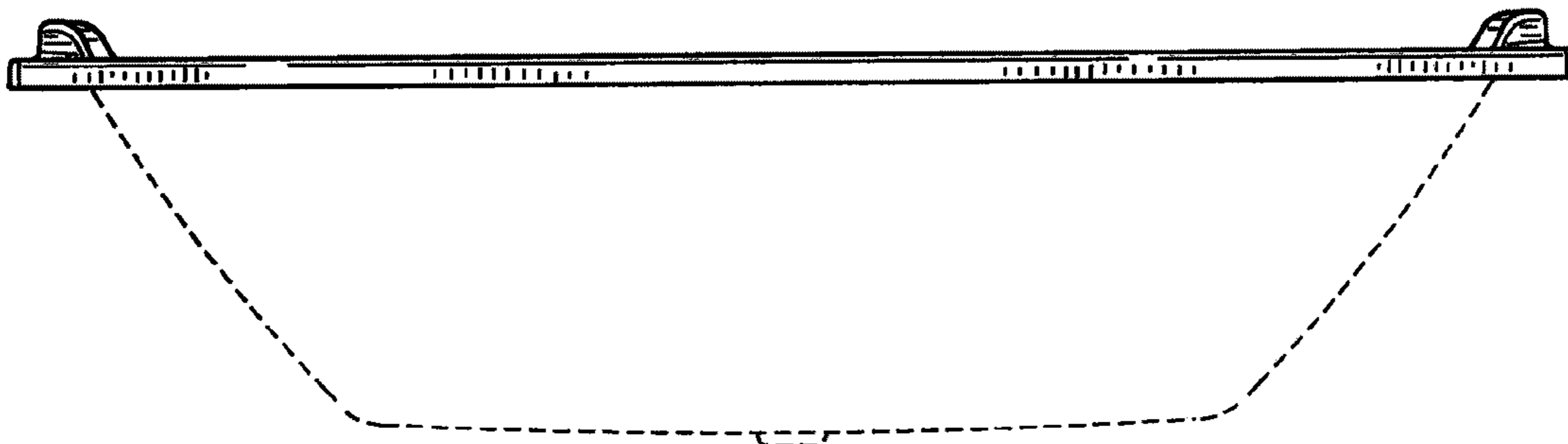


FIG. 5

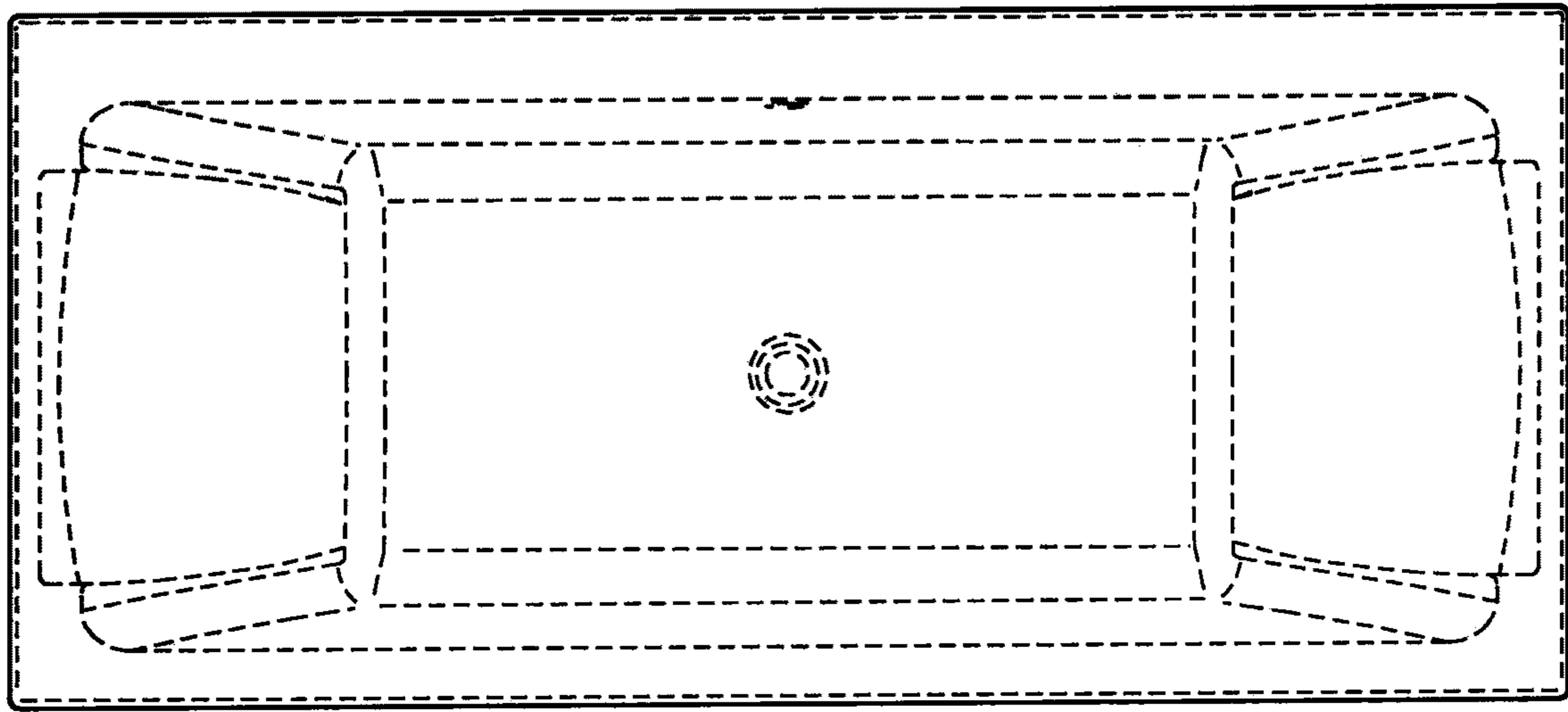


FIG. 6