

US00D642658S

(12) **United States Design Patent**  
**Cumberland et al.**

(10) **Patent No.:** **US D642,658 S**

(45) **Date of Patent:** **\*\* Aug. 2, 2011**

(54) **FILTER HOUSING**

(75) Inventors: **Scott L. Cumberland**, The Woodlands, TX (US); **Brett D. McIntire**, Pleasanton, CA (US); **Russell E. Bell**, Pleasanton, CA (US); **Cheryl L. Regan**, Pleasanton, CA (US)

(73) Assignee: **Brita LP**, Oakland, CA (US)

(\*\*) Term: **14 Years**

(21) Appl. No.: **29/384,426**

(22) Filed: **Jan. 31, 2011**

(51) **LOC (9) Cl.** ..... **23-01**

(52) **U.S. Cl.** ..... **D23/209**

(58) **Field of Classification Search** ..... D23/207,  
D23/209; 210/497.01, 498, 493.5, 282  
See application file for complete search history.

(56) **References Cited**

**U.S. PATENT DOCUMENTS**

H1157 H \* 4/1993 Yanou et al. .... D23/209  
6,279,751 B1 \* 8/2001 Malkin ..... 210/457

D448,448 S \* 9/2001 Hughes et al. .... D23/209  
6,325,929 B1 \* 12/2001 Bassett ..... 210/238  
D496,986 S \* 10/2004 King ..... D23/209  
7,087,166 B1 \* 8/2006 Sudo et al. .... 210/232

\* cited by examiner

*Primary Examiner* — Robin Webster

(74) *Attorney, Agent, or Firm* — Stacy Combs

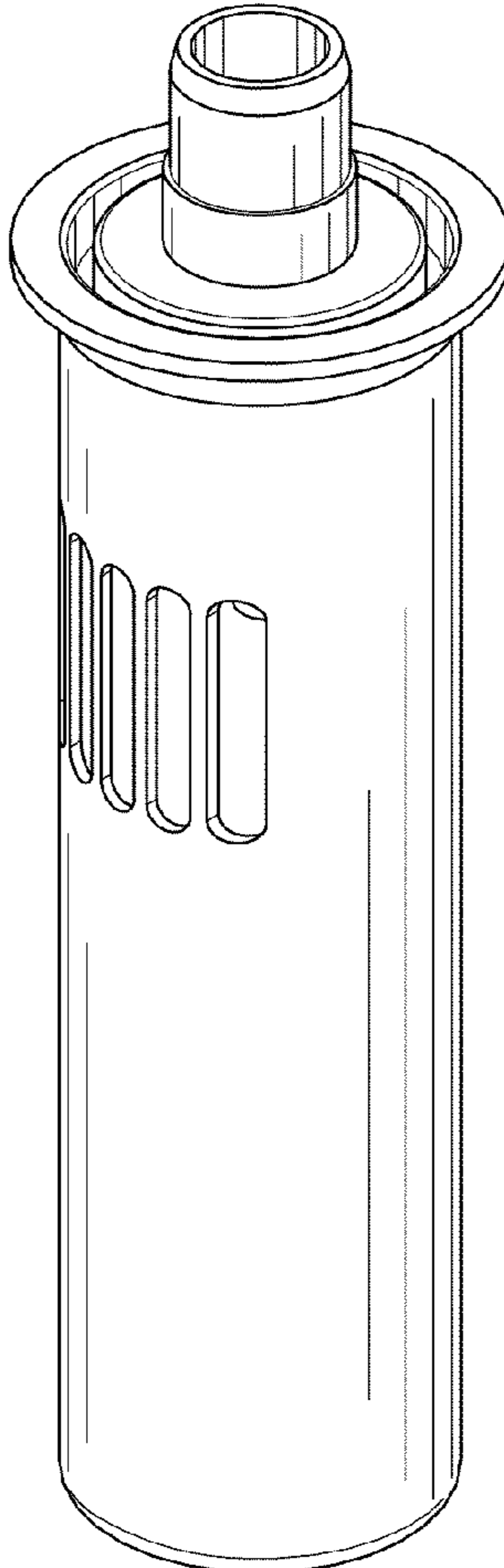
(57) **CLAIM**

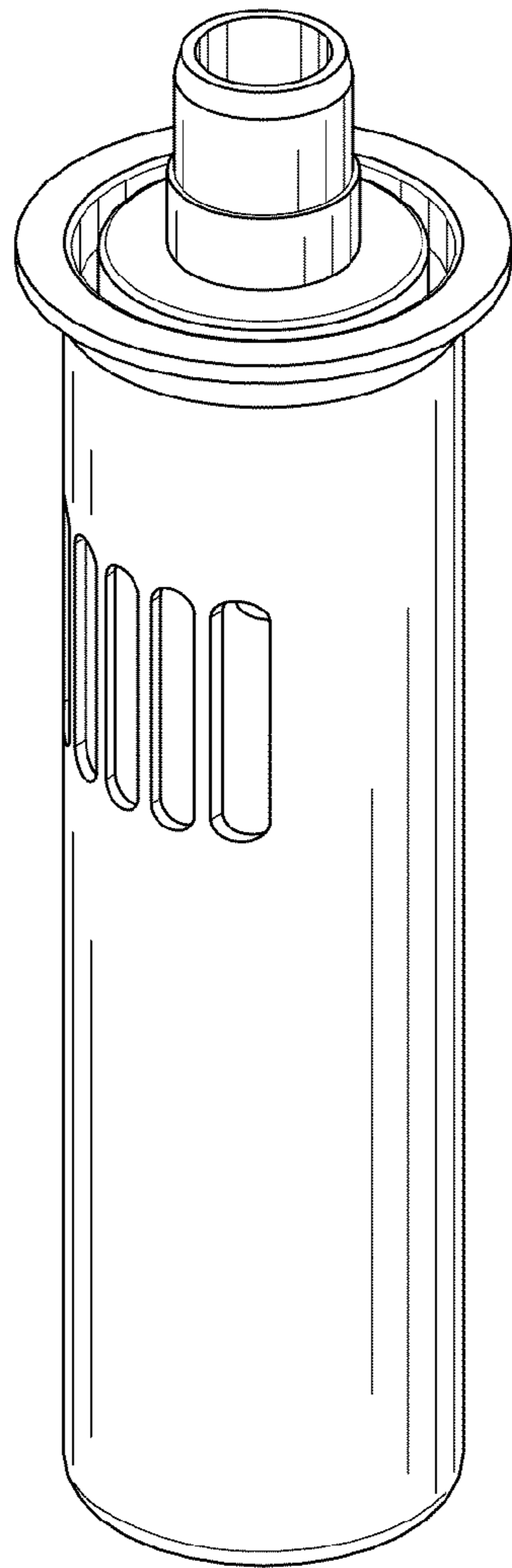
The ornamental design for a filter housing, as shown and described.

**DESCRIPTION**

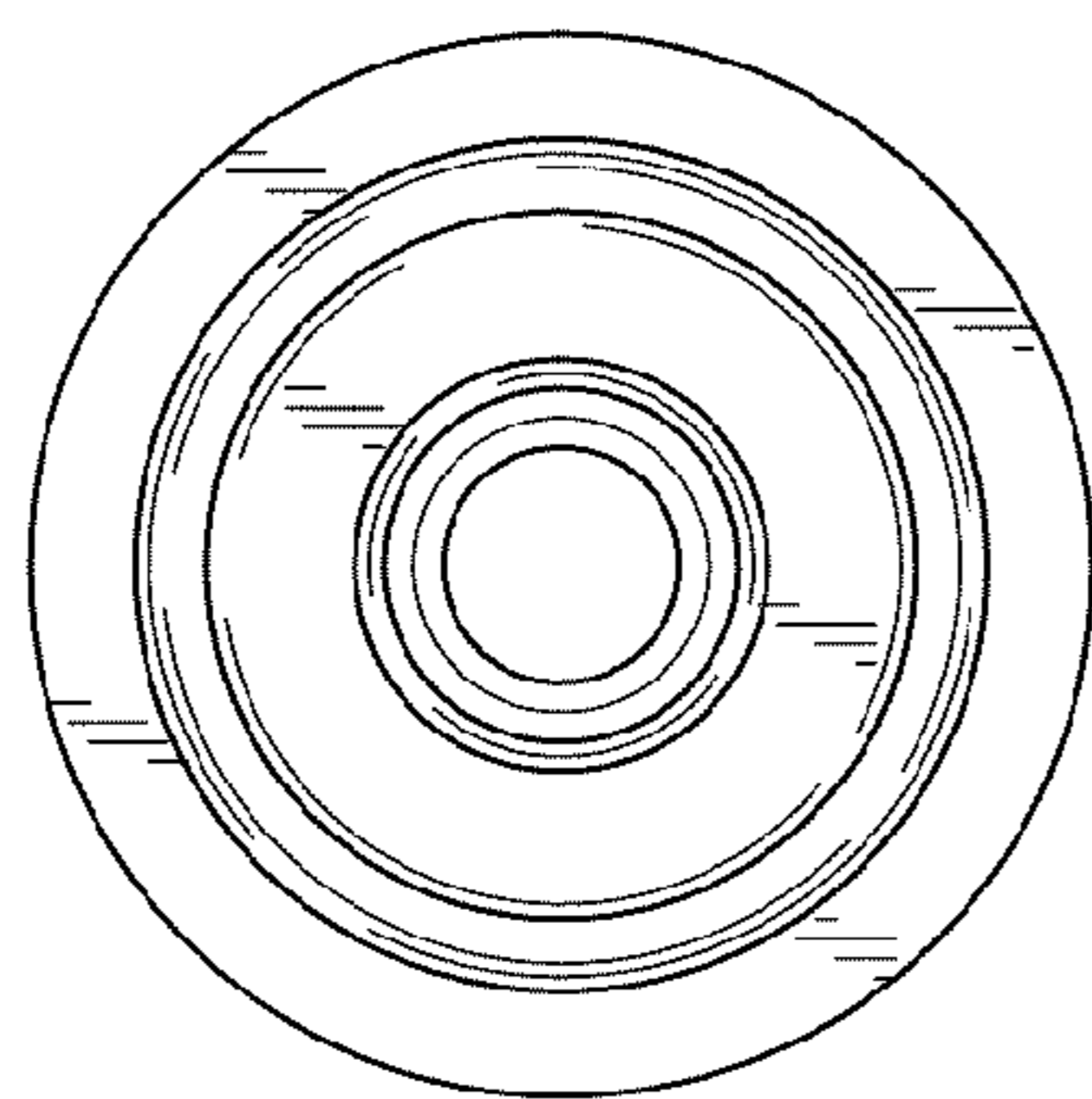
FIG. 1 is a perspective view of a filter housing showing the new design;  
FIG. 2 is a side elevational view thereof;  
FIG. 3 is a side elevational view thereof, opposite of FIG. 2;  
FIG. 4 is a front side view thereof;  
FIG. 5 is a back side view thereof, opposite of FIG. 4;  
FIG. 6 is a top view thereof; and,  
FIG. 7 is a bottom view thereof.

**1 Claim, 2 Drawing Sheets**

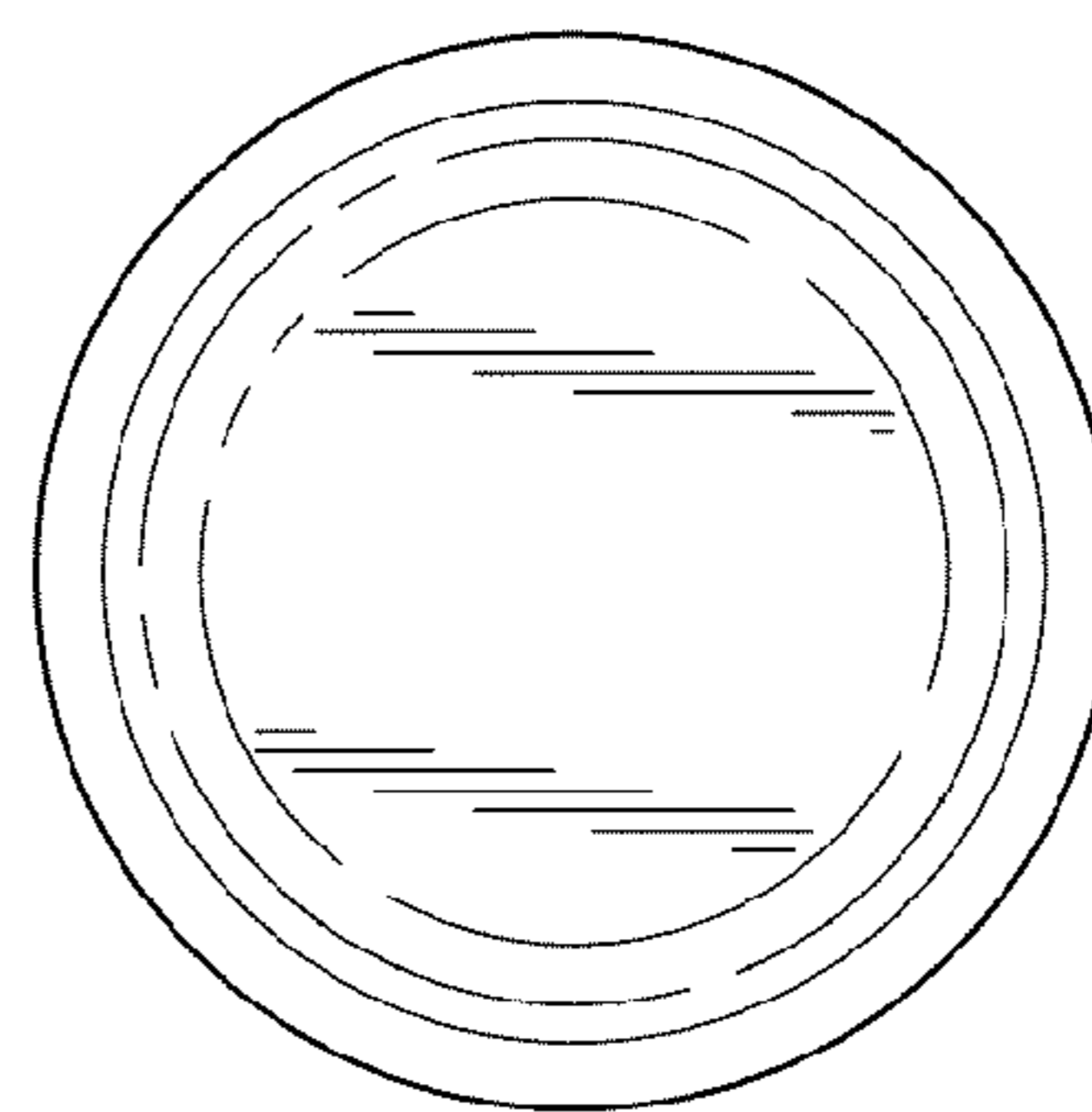




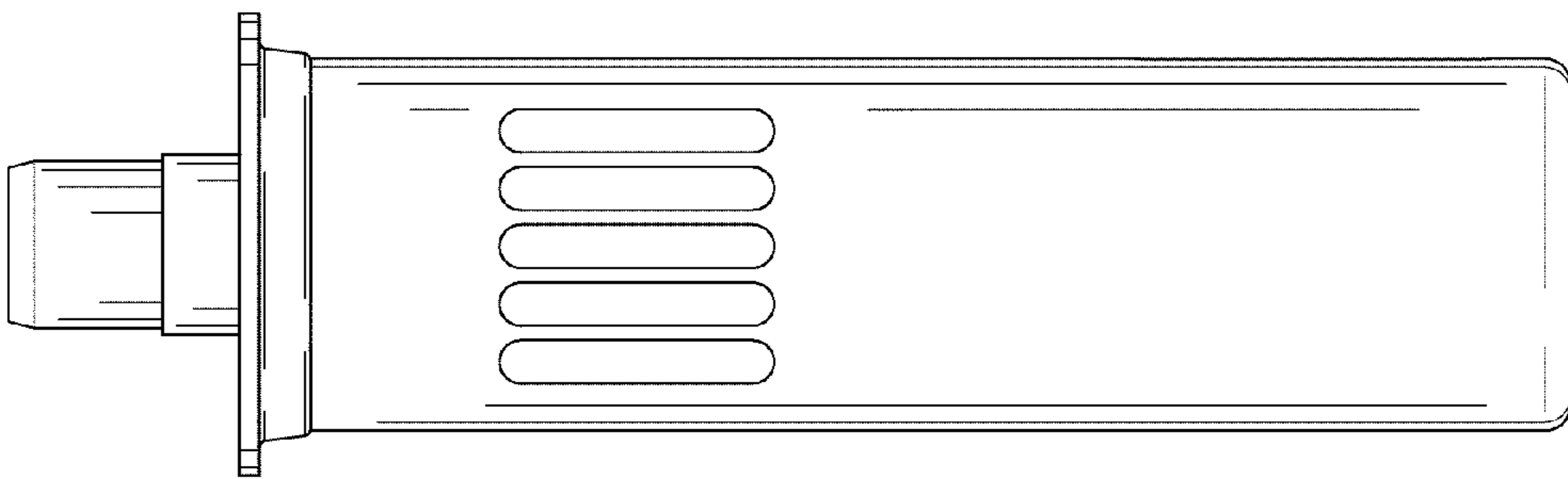
*FIG. -1*



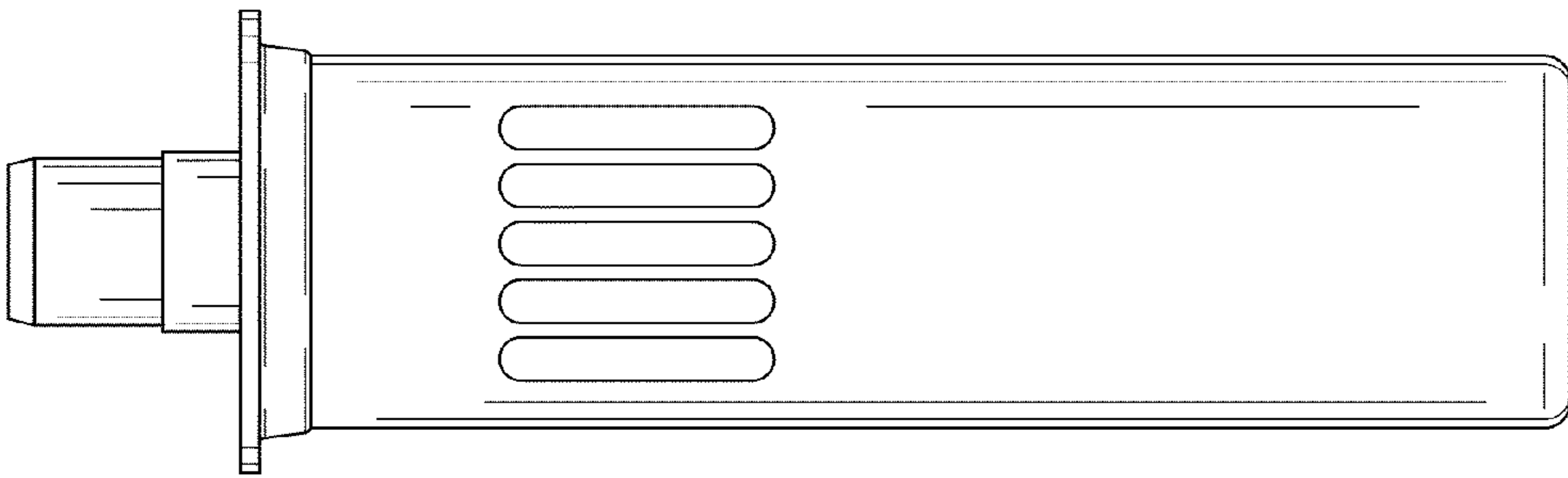
*FIG. -6*



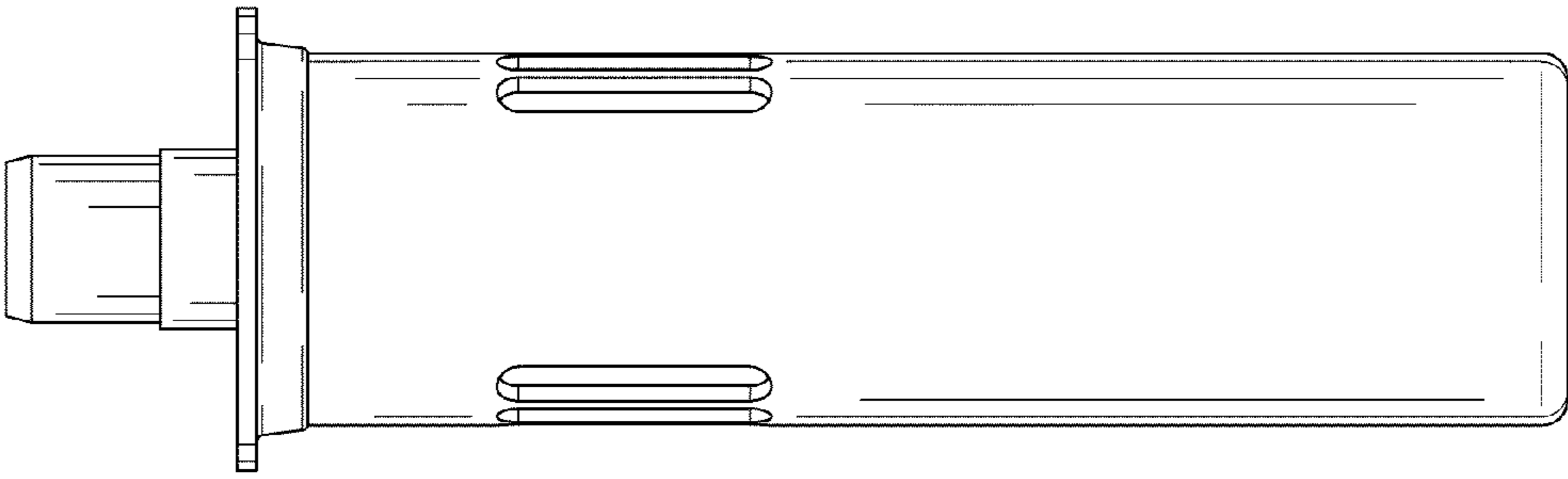
*FIG. -7*



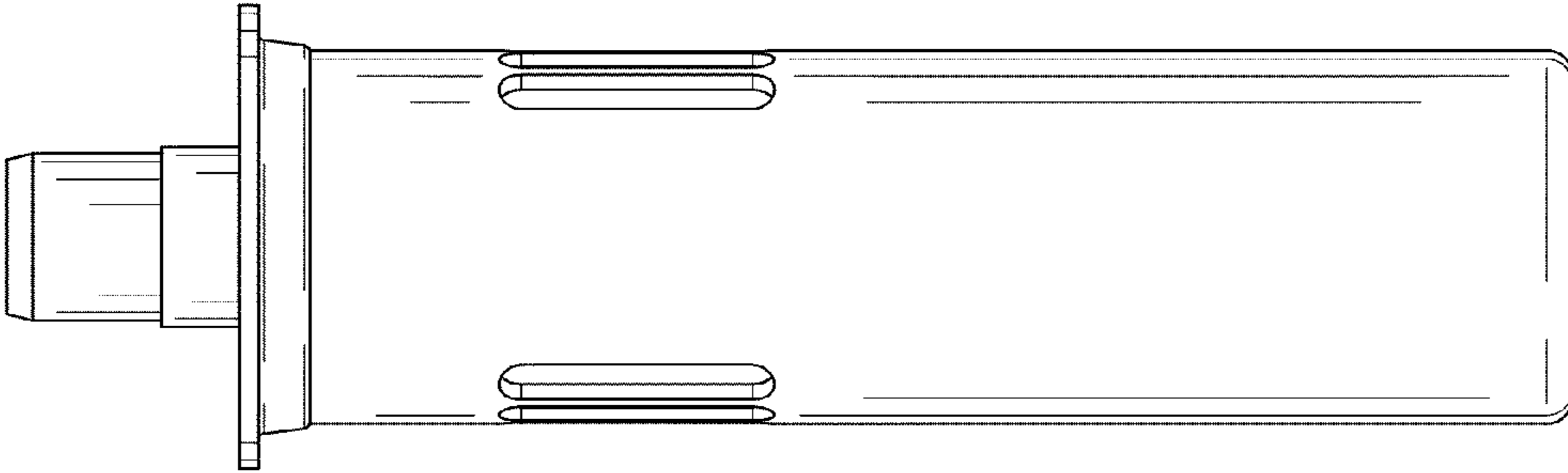
*FIG. -2*



*FIG. -3*



*FIG. -4*



*FIG. -5*