



US00D642657S

(12) **United States Design Patent**
Cumberland et al.

(10) **Patent No.:** **US D642,657 S**

(45) **Date of Patent:** **** Aug. 2, 2011**

(54) **FILTER HOUSING**

(75) Inventors: **Scott L. Cumberland**, The Woodlands, TX (US); **Brett D. McIntire**, Pleasanton, CA (US); **Russell E. Bell**, Pleasanton, CA (US); **Cheryl L. Regan**, Pleasanton, CA (US)

(73) Assignee: **Brita LP**, Oakland, CA (US)

(**) Term: **14 Years**

(21) Appl. No.: **29/384,413**

(22) Filed: **Jan. 31, 2011**

(51) **LOC (9) Cl.** **23-01**

(52) **U.S. Cl.** **D23/209**

(58) **Field of Classification Search** D23/207, D23/209; 210/497.01, 498, 493.5, 282
See application file for complete search history.

(56) **References Cited**

U.S. PATENT DOCUMENTS

H1157 H * 4/1993 Yanou et al. D23/209
6,279,751 B1 * 8/2001 Malkin 210/457
D448,448 S * 9/2001 Hughes et al. D23/209

6,325,929 B1 * 12/2001 Bassett 210/238
D496,986 S * 10/2004 King D23/209
7,087,166 B1 * 8/2006 Sudo et al. 210/232

* cited by examiner

Primary Examiner — Robin Webster

(74) *Attorney, Agent, or Firm* — Stacy Combs

(57) **CLAIM**

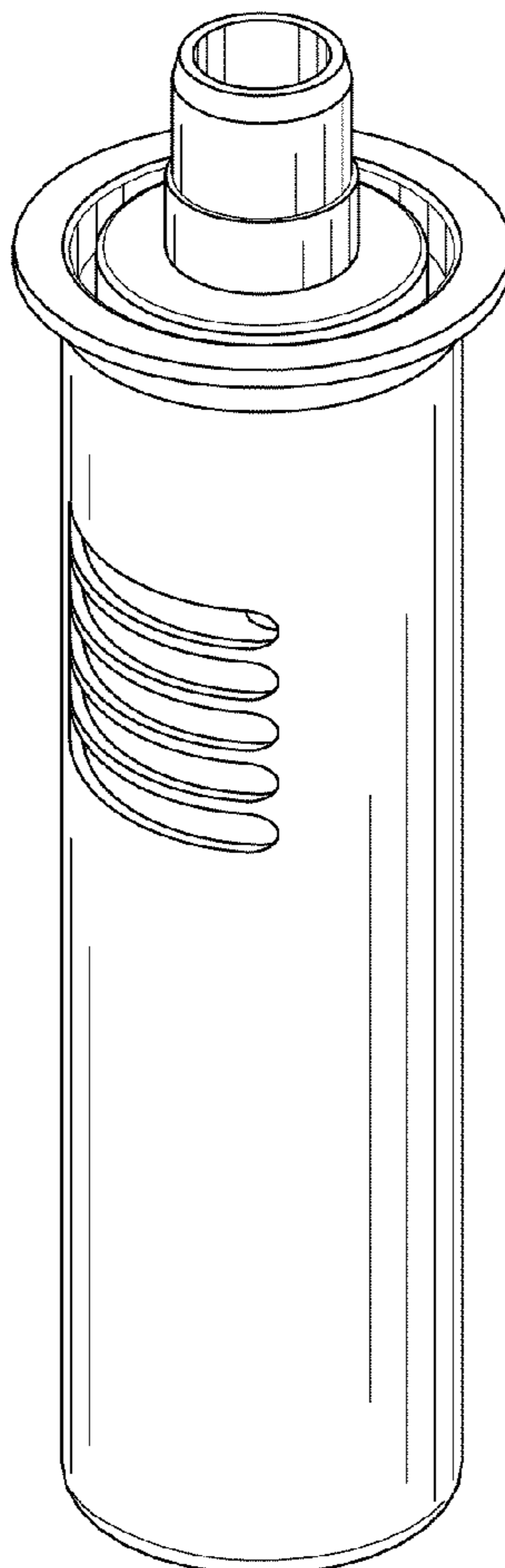
The ornamental design for a filter housing, as shown and described.

DESCRIPTION

FIG. 1 is a perspective view of a filter housing showing the new design;
FIG. 2 is a side elevational view thereof;
FIG. 3 is a side elevational view thereof, opposite of FIG. 2;
FIG. 4 is a front side view thereof;
FIG. 5 is a back side view thereof, opposite of FIG. 4;
FIG. 6 is a top view thereof; and,
FIG. 7 is a bottom view thereof.

The broken lines showing environmental structure are for illustrative purposes only and form no part of the claimed design.

1 Claim, 2 Drawing Sheets



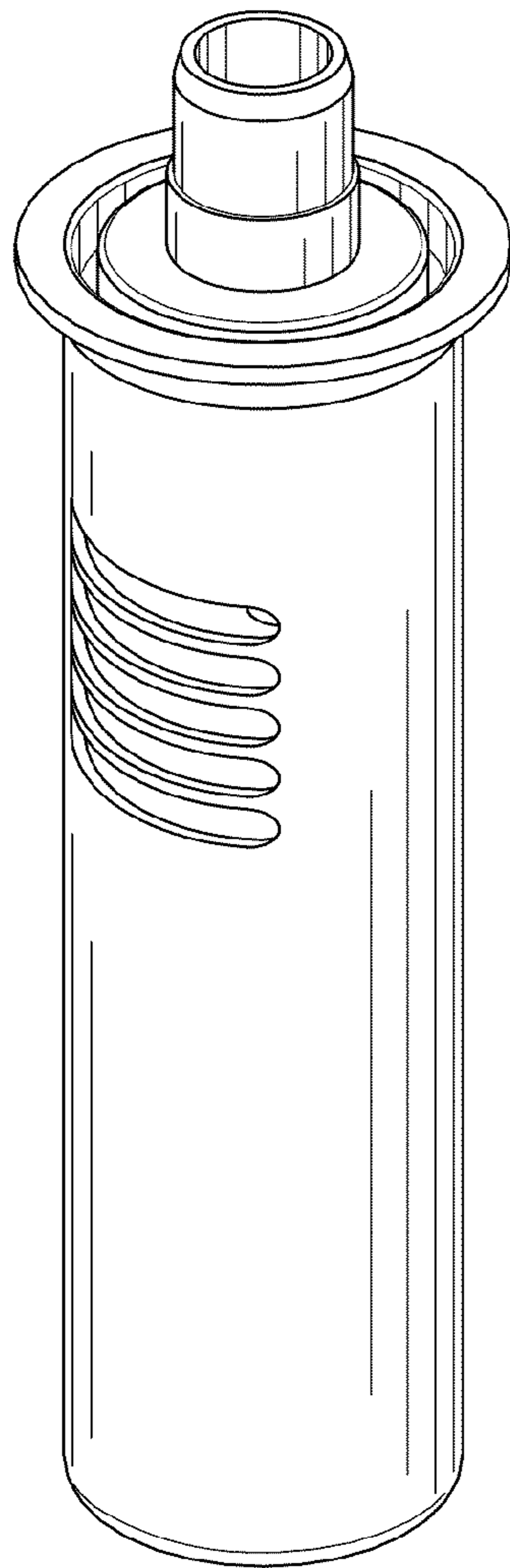


FIG. -1

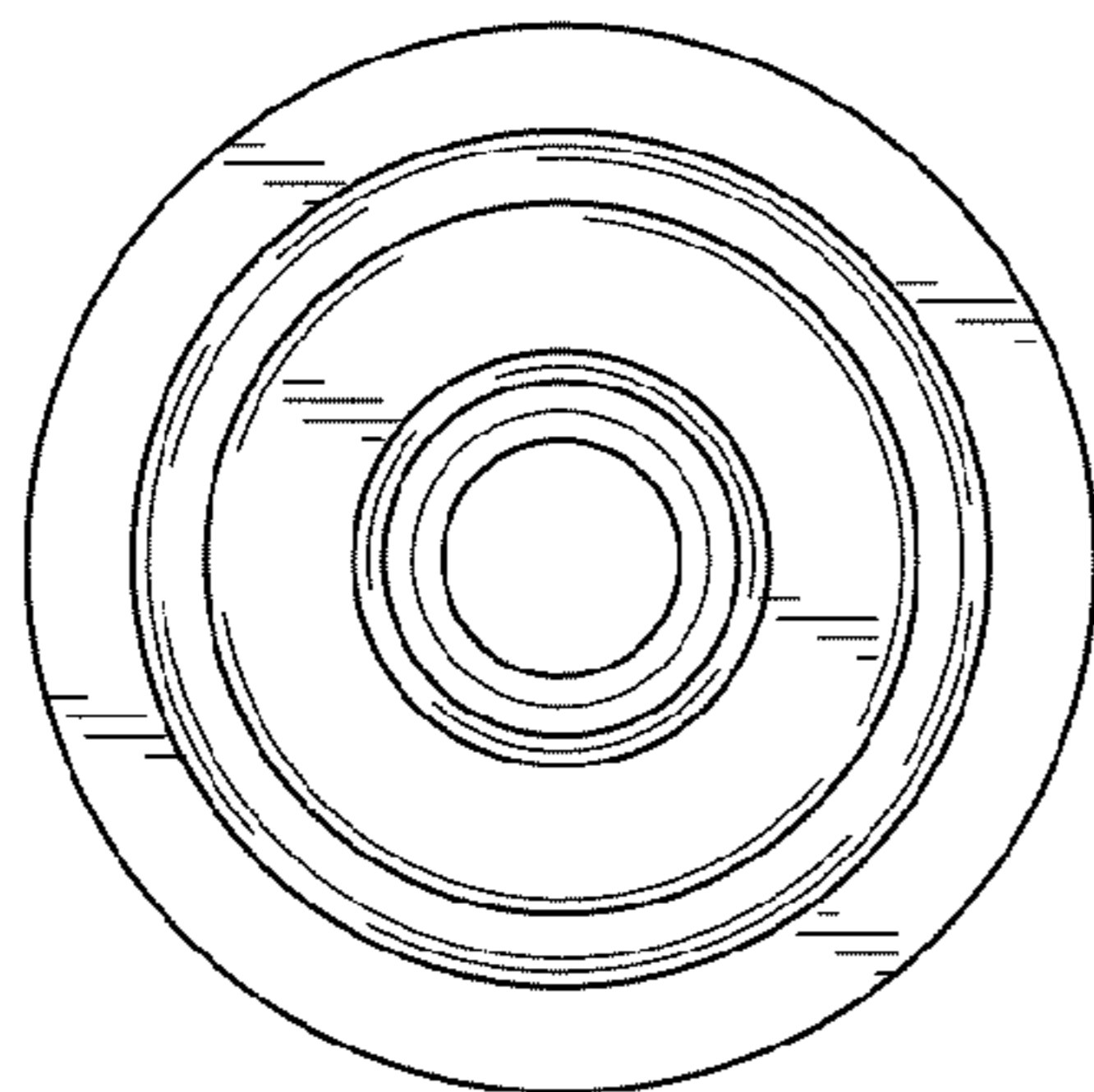


FIG. -6

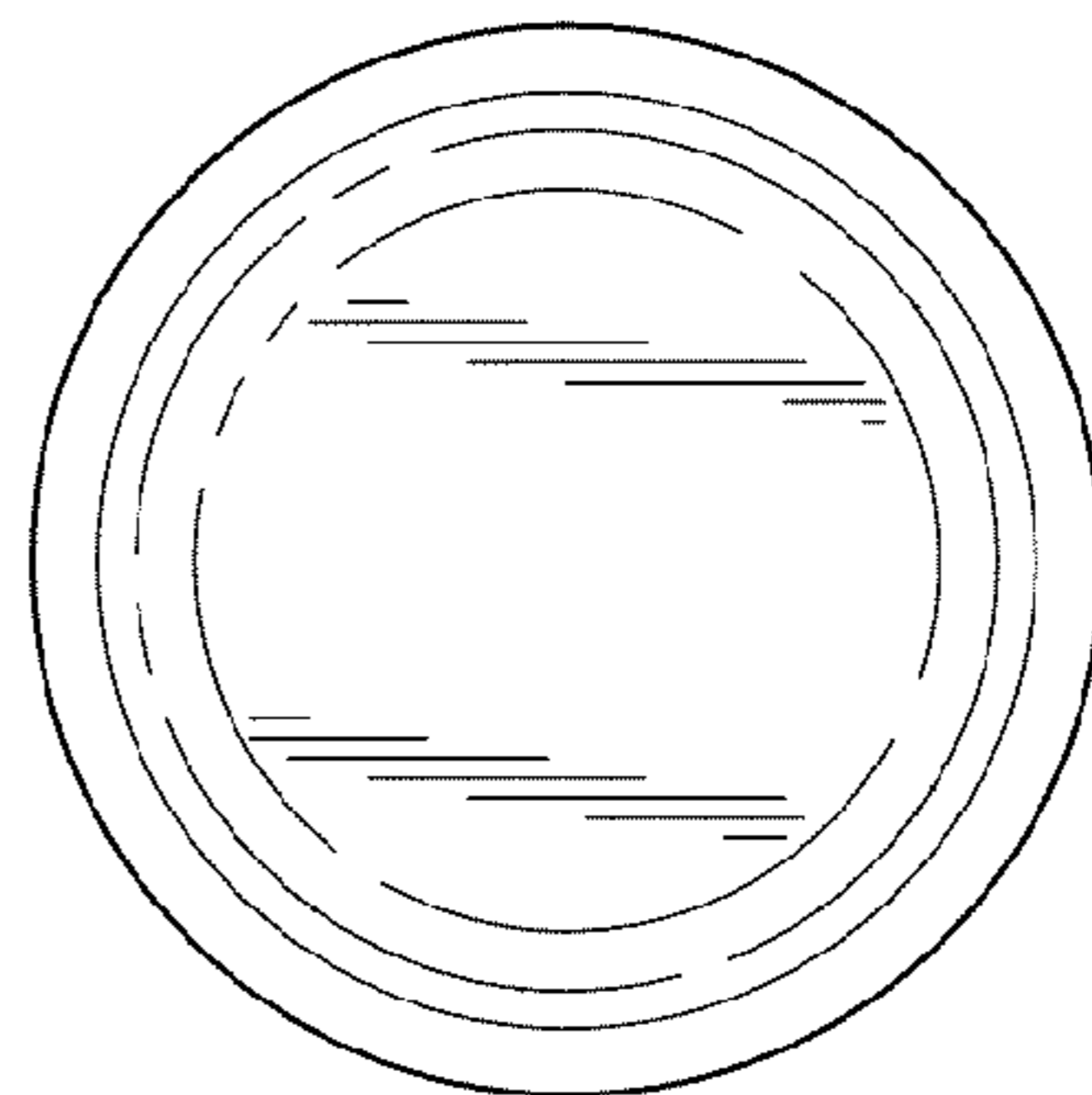


FIG. -7

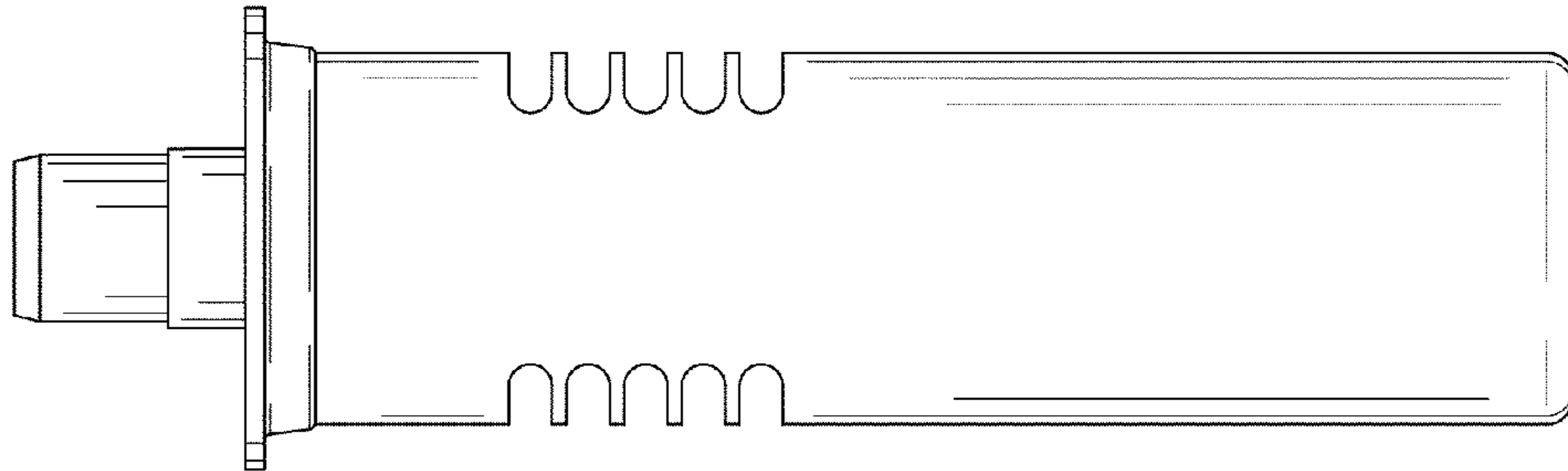


FIG. -5

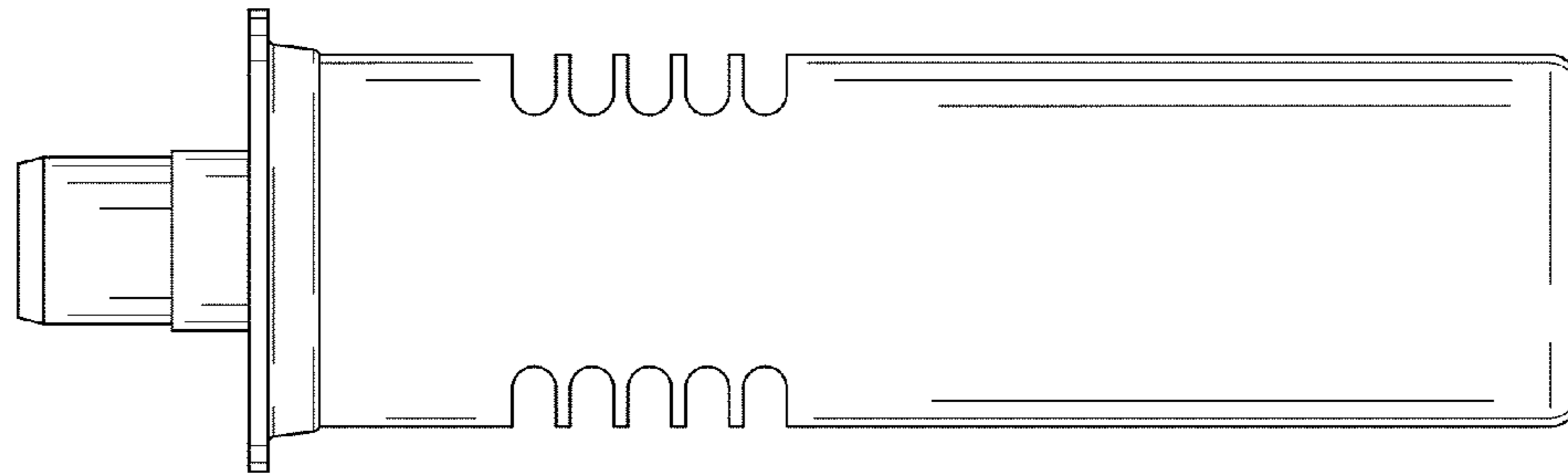


FIG. -4

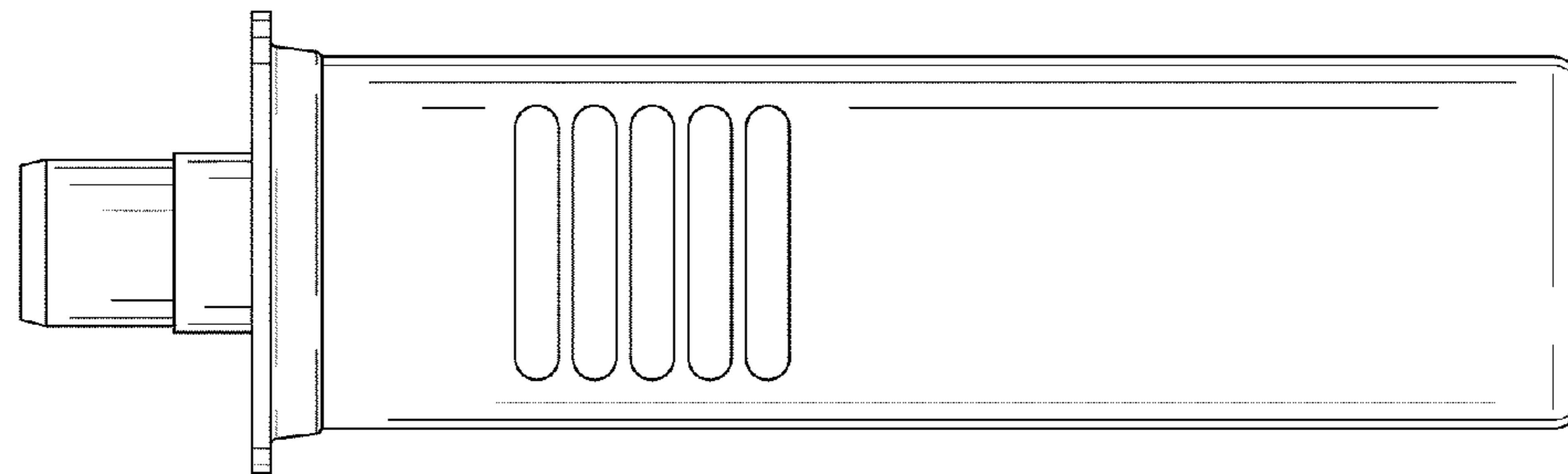


FIG. -3

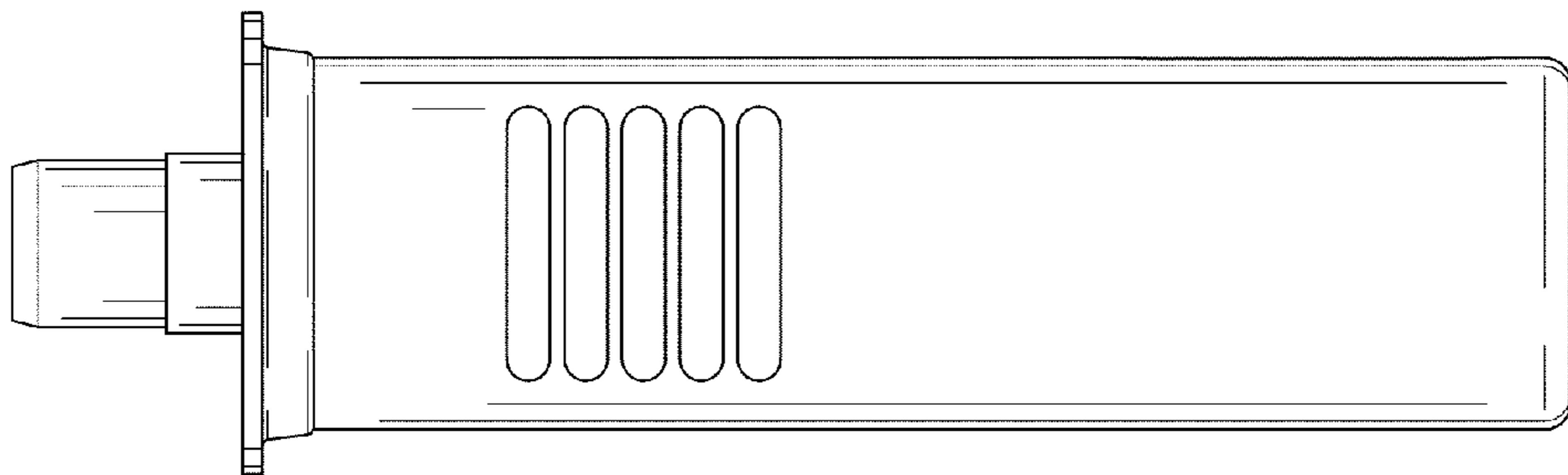


FIG. -2