



US00D642656S

(12) **United States Design Patent**  
**Lankinen**

(10) **Patent No.:** **US D642,656 S**

(45) **Date of Patent:** **\*\* Aug. 2, 2011**

(54) **COMBINED FISHING DEVICE WITH HYDROFOIL**

D322,116 S \* 12/1991 Blease ..... D22/134  
D456,060 S \* 4/2002 Jacobson ..... D22/146  
D504,490 S \* 4/2005 Bedros ..... D22/134

\* cited by examiner

(75) Inventor: **Petteri Lankinen**, Espoo (FI)

*Primary Examiner* — Catheri Oliver

(73) Assignee: **Liquid Zone Oy**, Espoo (FI)

(74) *Attorney, Agent, or Firm* — Young & Thompson

(\*\*) Term: **14 Years**

(57) **CLAIM**

(21) Appl. No.: **29/362,128**

The ornamental design for a combined fishing device with hydrofoil, as shown and described.

(22) Filed: **May 20, 2010**

**DESCRIPTION**

(30) **Foreign Application Priority Data**

Nov. 20, 2009 (EM) ..... 001638248-001  
Nov. 20, 2009 (EM) ..... 001638248-002

FIG. 1 is a bottom plan view of only the hydrofoil of a combined fishing device with hydrofoil, according to my invention;

(51) **LOC (9) Cl.** ..... **22-05**

(52) **U.S. Cl.** ..... **D22/134**

FIG. 2 is a front elevational view thereof;

FIG. 3 is a view from the right side of FIG. 2;

FIG. 4 is a view from the left side of FIG. 2;

(58) **Field of Classification Search** ..... D22/134,

D22/144-146, 199; 43/17, 17.5, 26.1; 446/154, 446/161-162; D21/430, 447-448, 451

See application file for complete search history.

FIG. 5 is a top plan view thereof;

FIG. 6 is a perspective view thereof;

FIG. 7 is a rear elevational view thereof; and

FIG. 8 is a bottom plan view of the combined fishing device with hydrofoil;

(56) **References Cited**

**U.S. PATENT DOCUMENTS**

2,964,874 A \* 12/1960 Ruiz ..... 446/161  
3,036,403 A \* 5/1962 Presnell ..... 446/162  
3,203,131 A \* 8/1965 Myers ..... 43/26.1  
4,638,585 A \* 1/1987 Korte ..... 43/26.1  
D288,945 S \* 3/1987 Rodis-Jamero et al. .... D21/451  
5,016,385 A \* 5/1991 Blease ..... 43/26.1

FIG. 9 is a front elevational view thereof;

FIG. 10 is a view from the right side of FIG. 9;

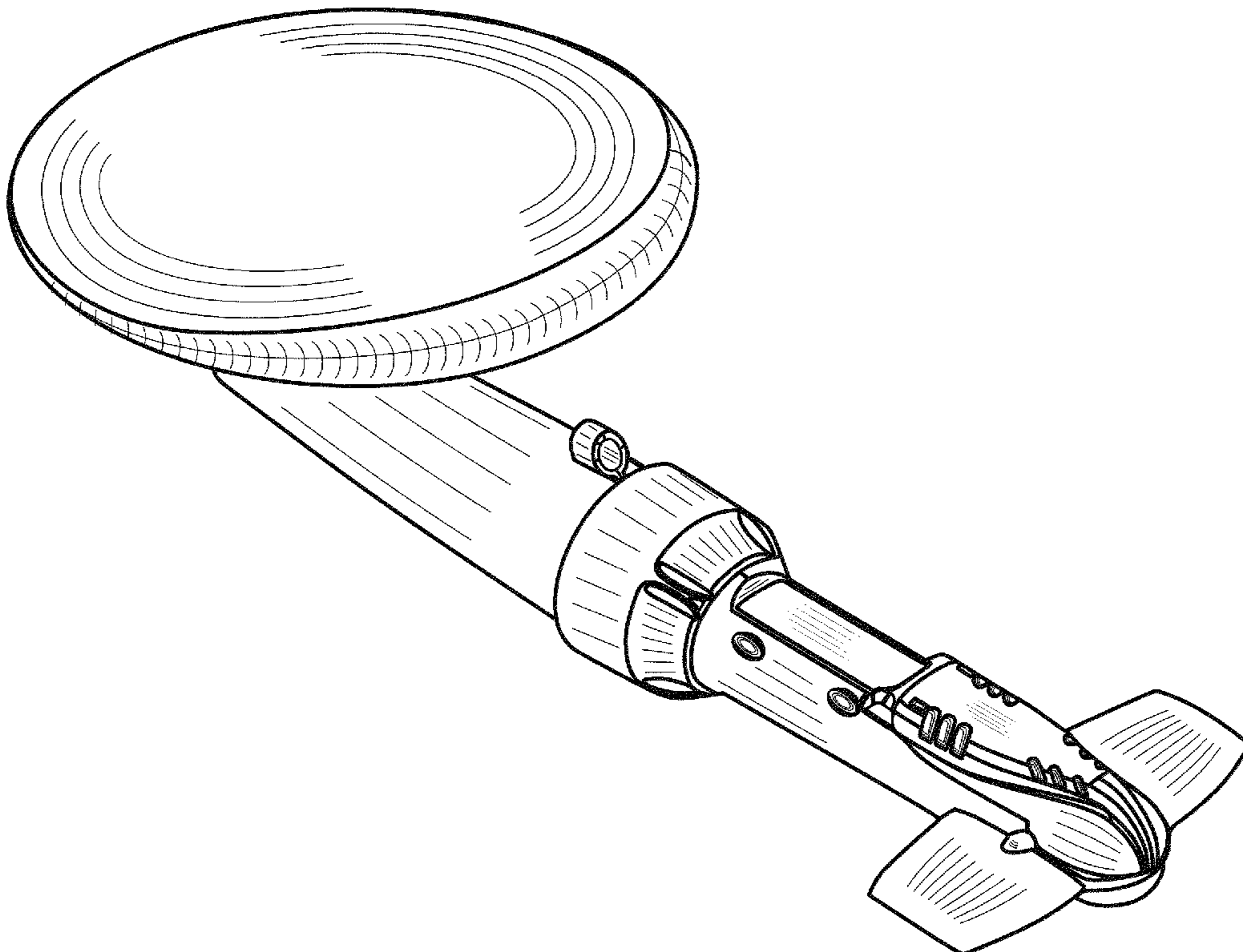
FIG. 11 is a view from the left side of FIG. 9;

FIG. 12 is a top plan view thereof;

FIG. 13 is a perspective view thereof; and,

FIG. 14 is a rear elevational view.

**1 Claim, 14 Drawing Sheets**



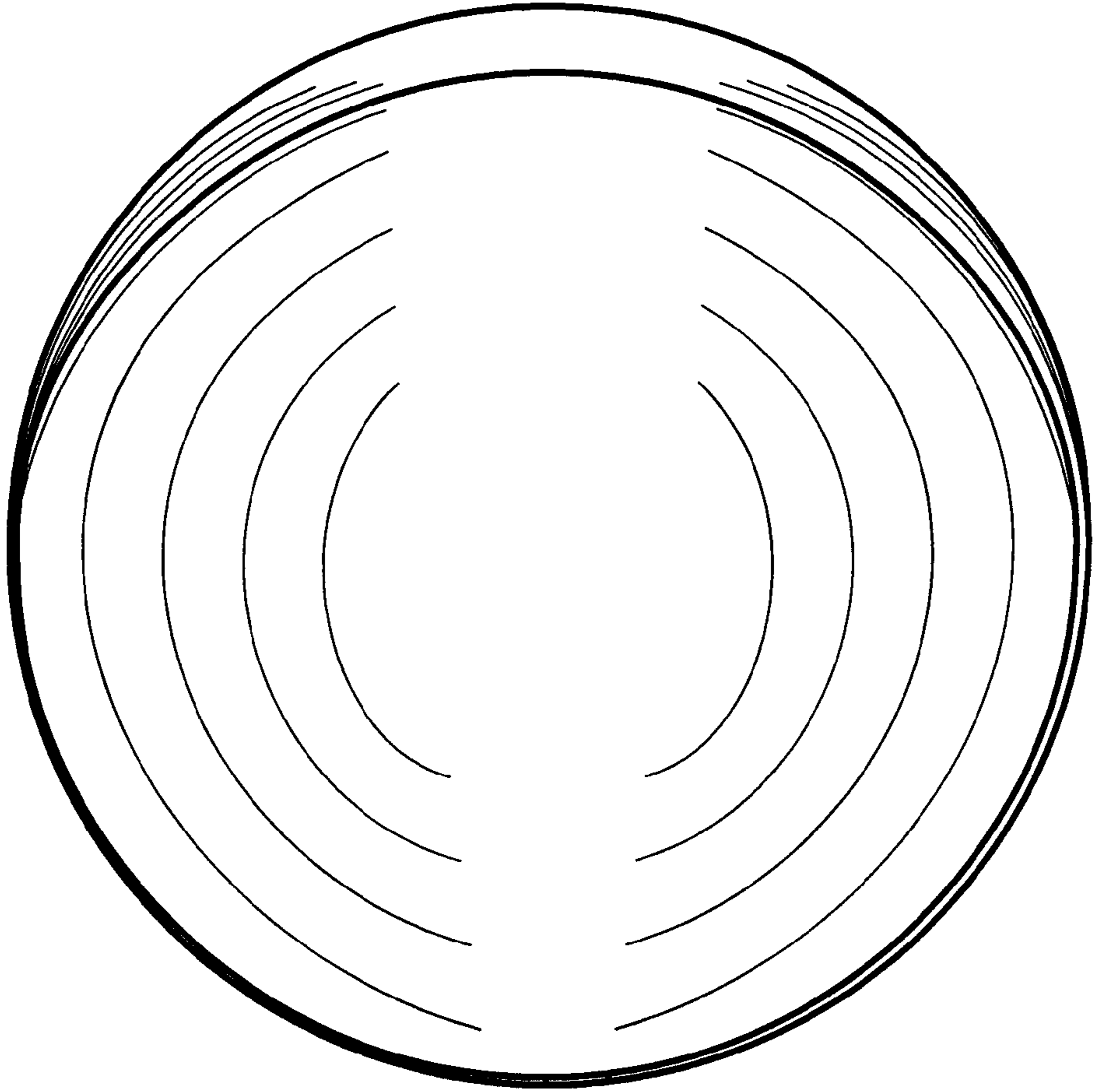


Figure 1

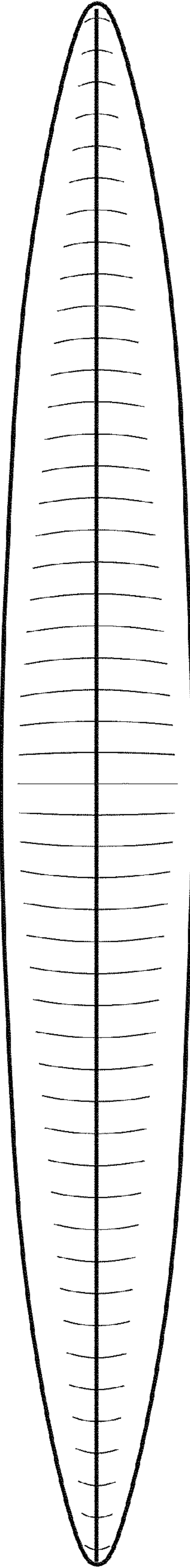


Figure 2

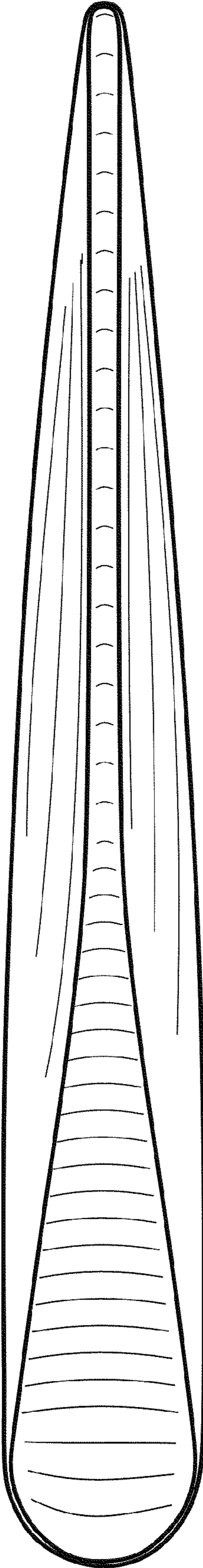


Figure 3

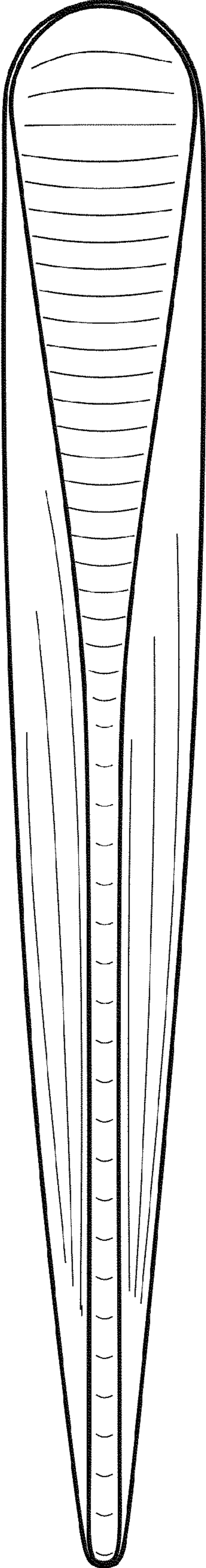


Figure 4

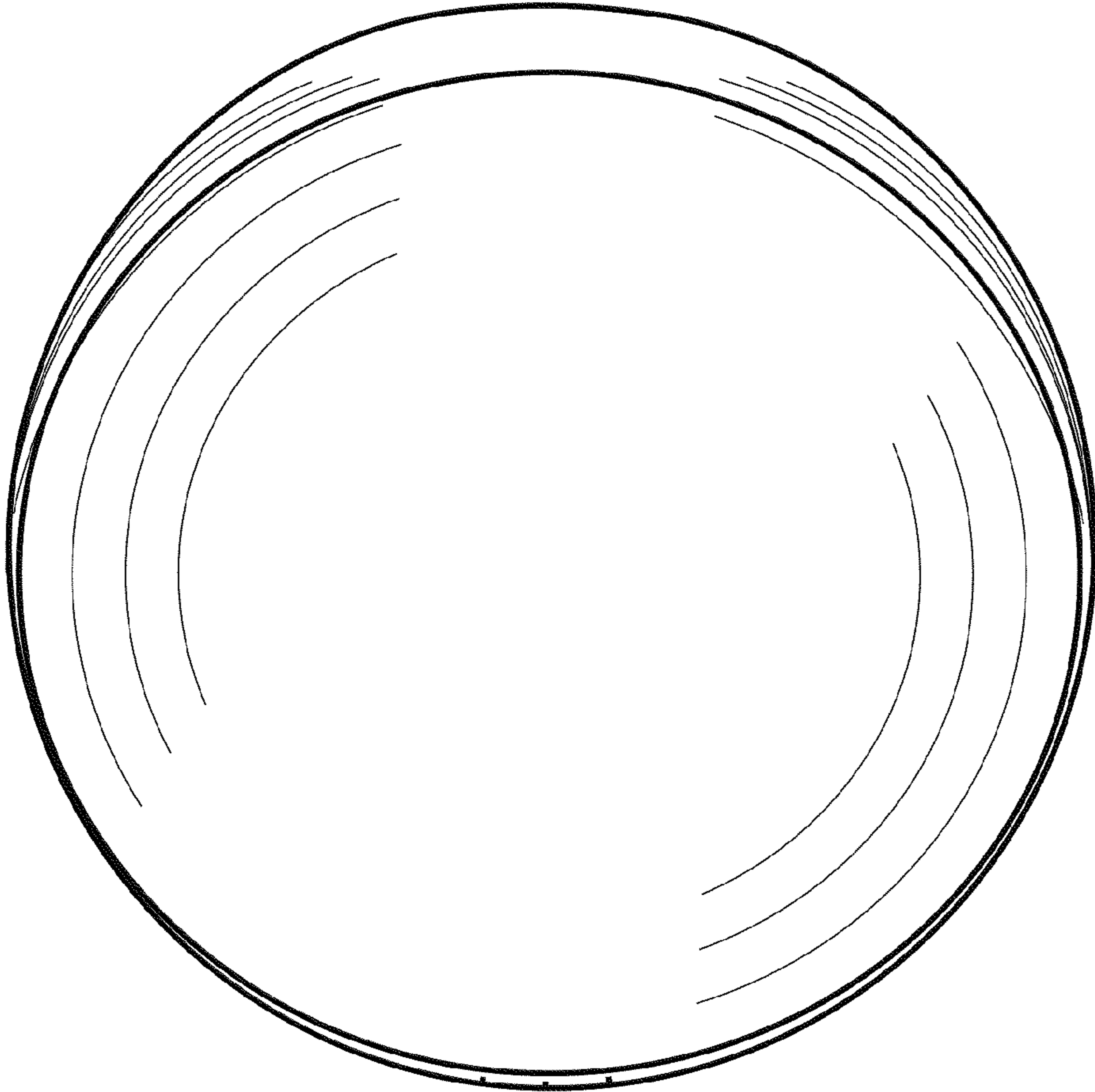


Figure 5

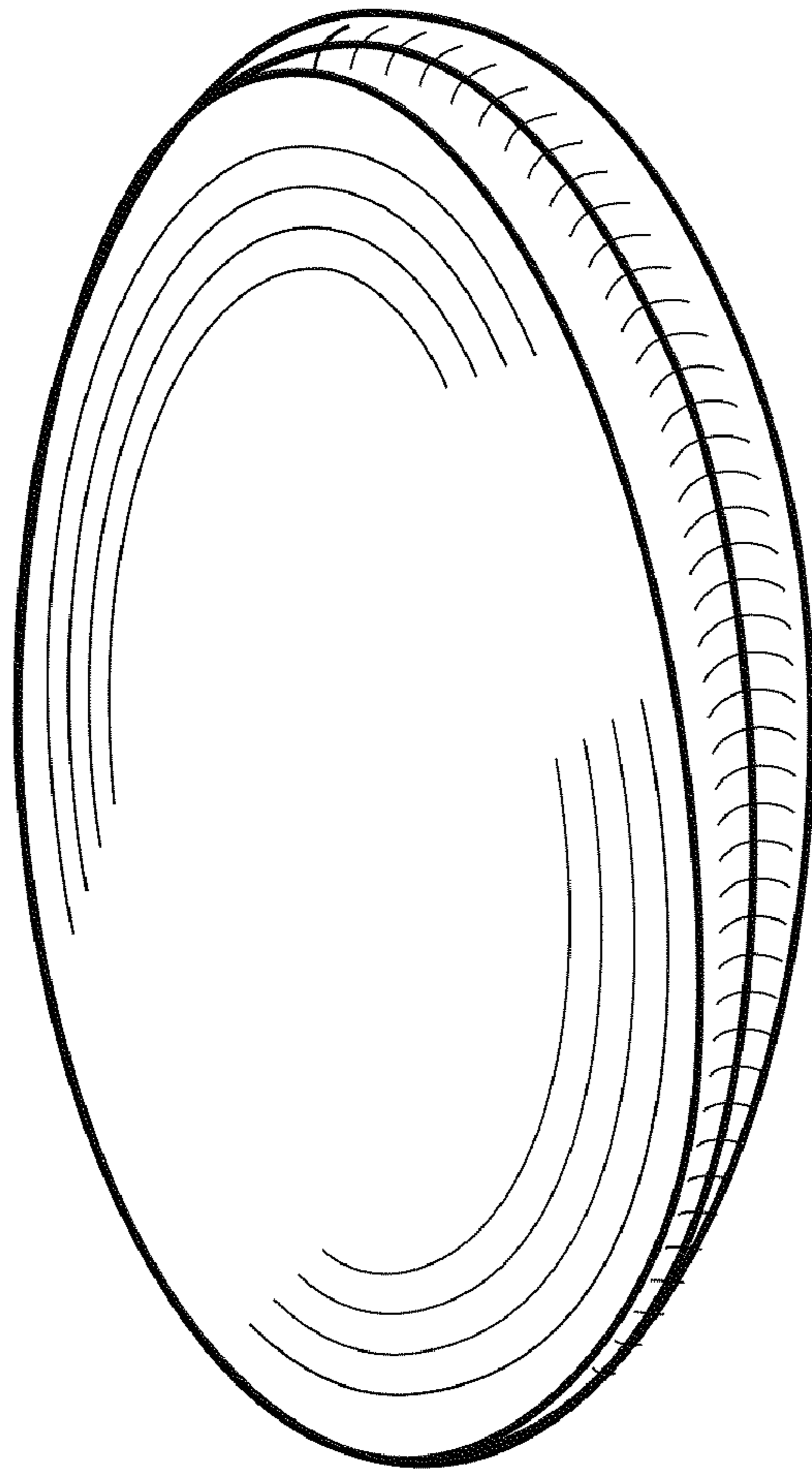


Figure 6

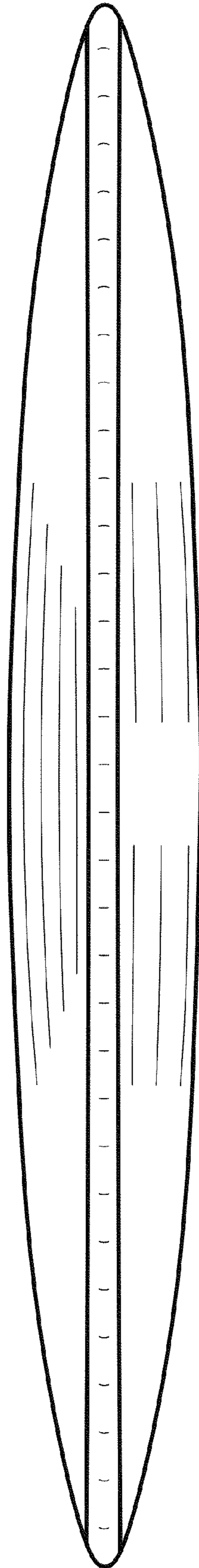


Figure 7



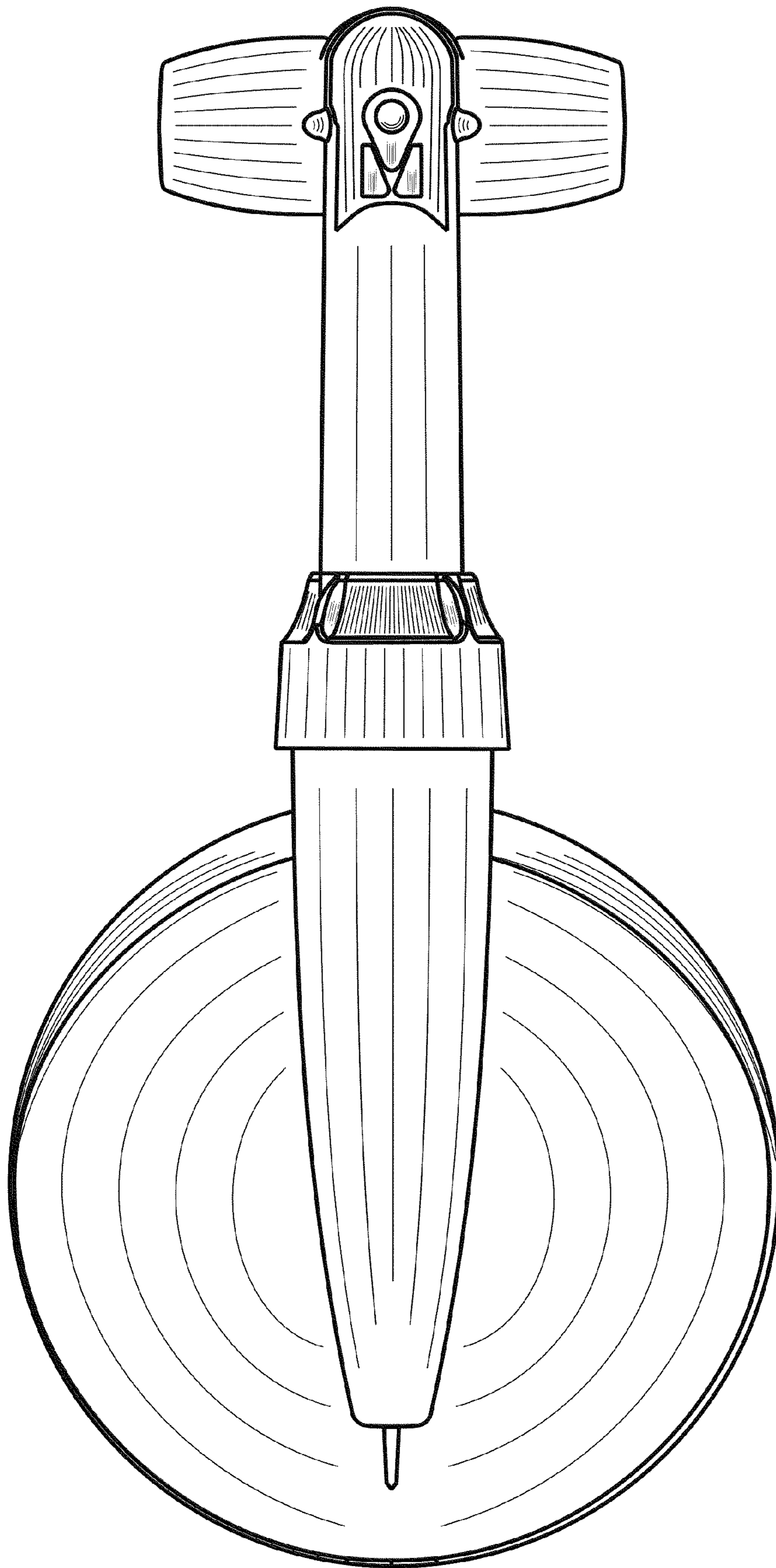


Figure 8

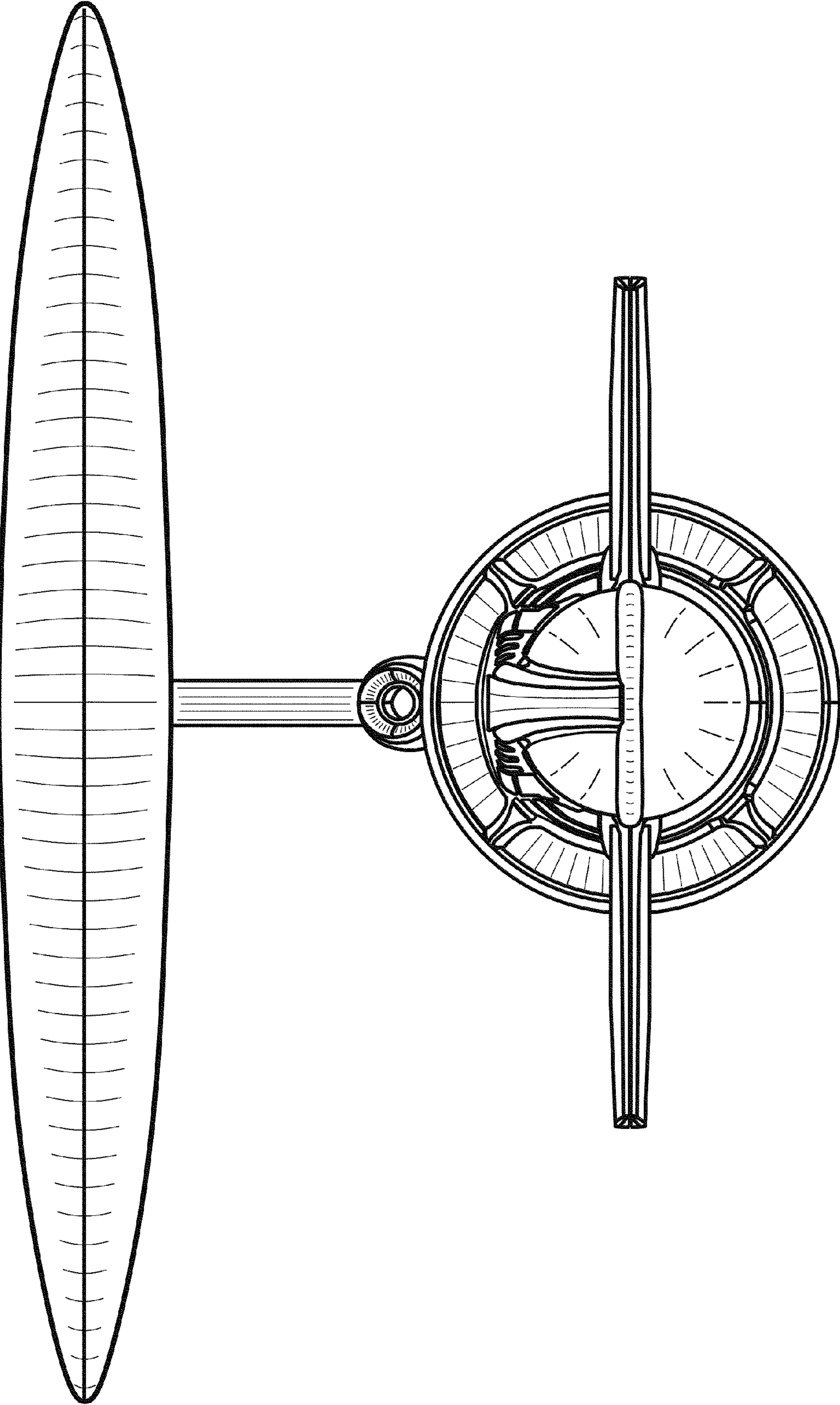


Figure 9

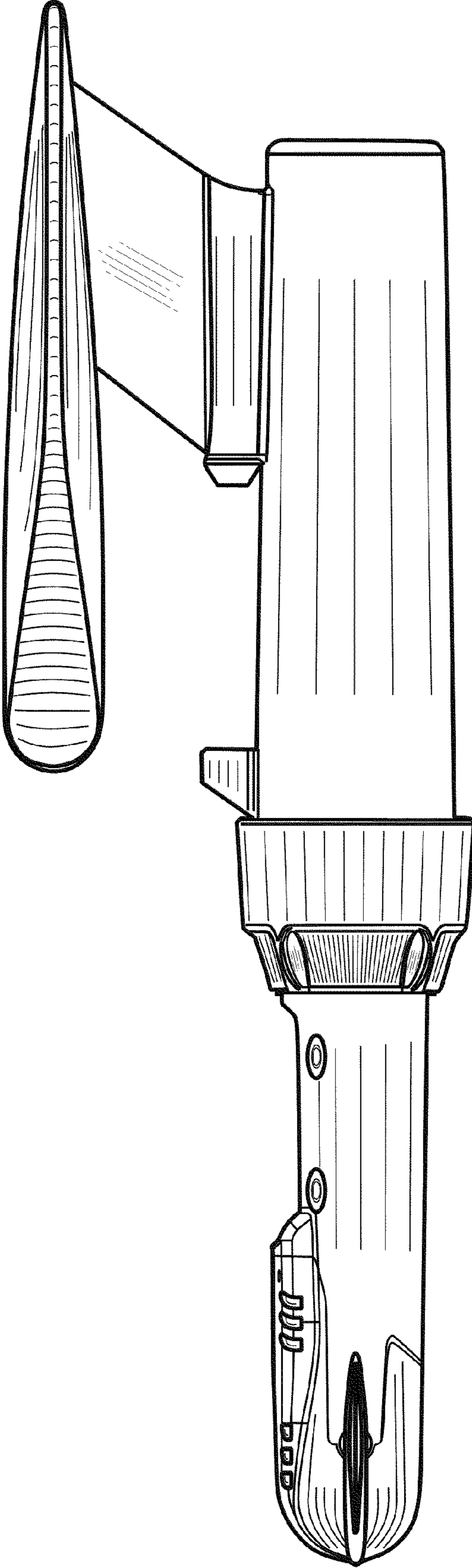


Figure 10

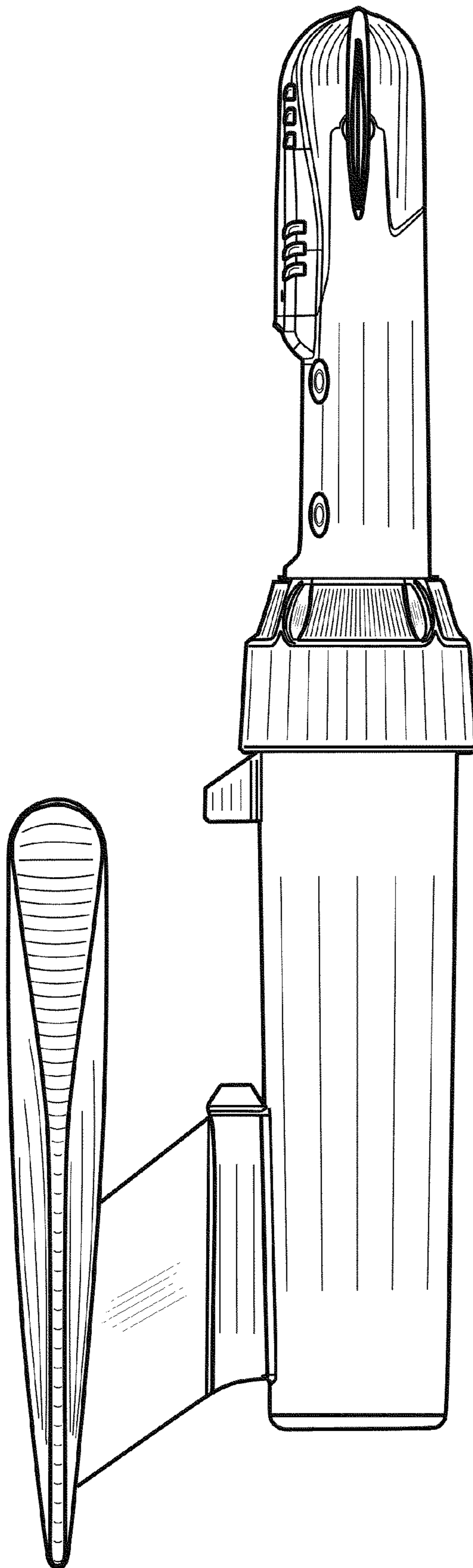


Figure 11

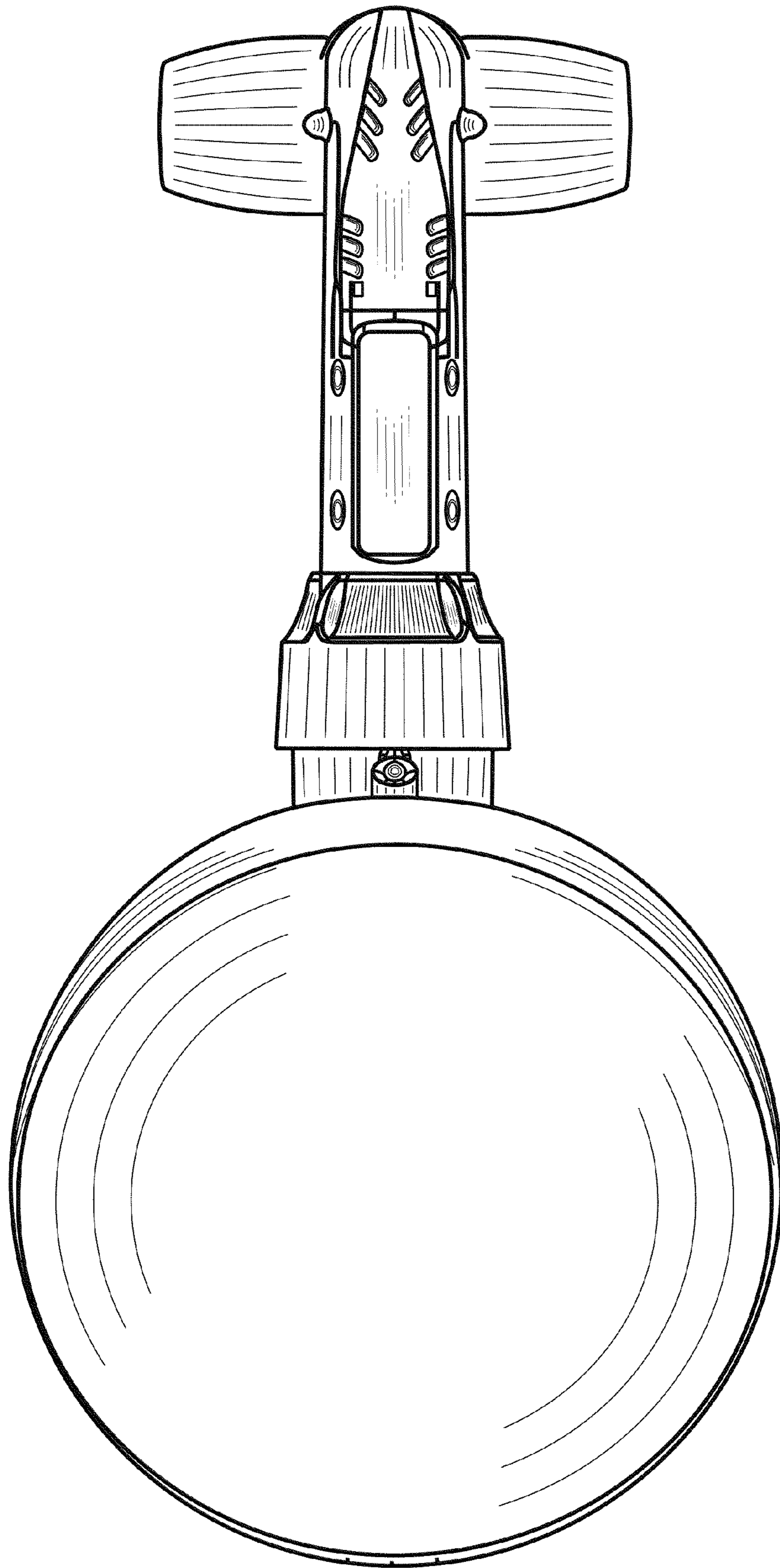


Figure 12

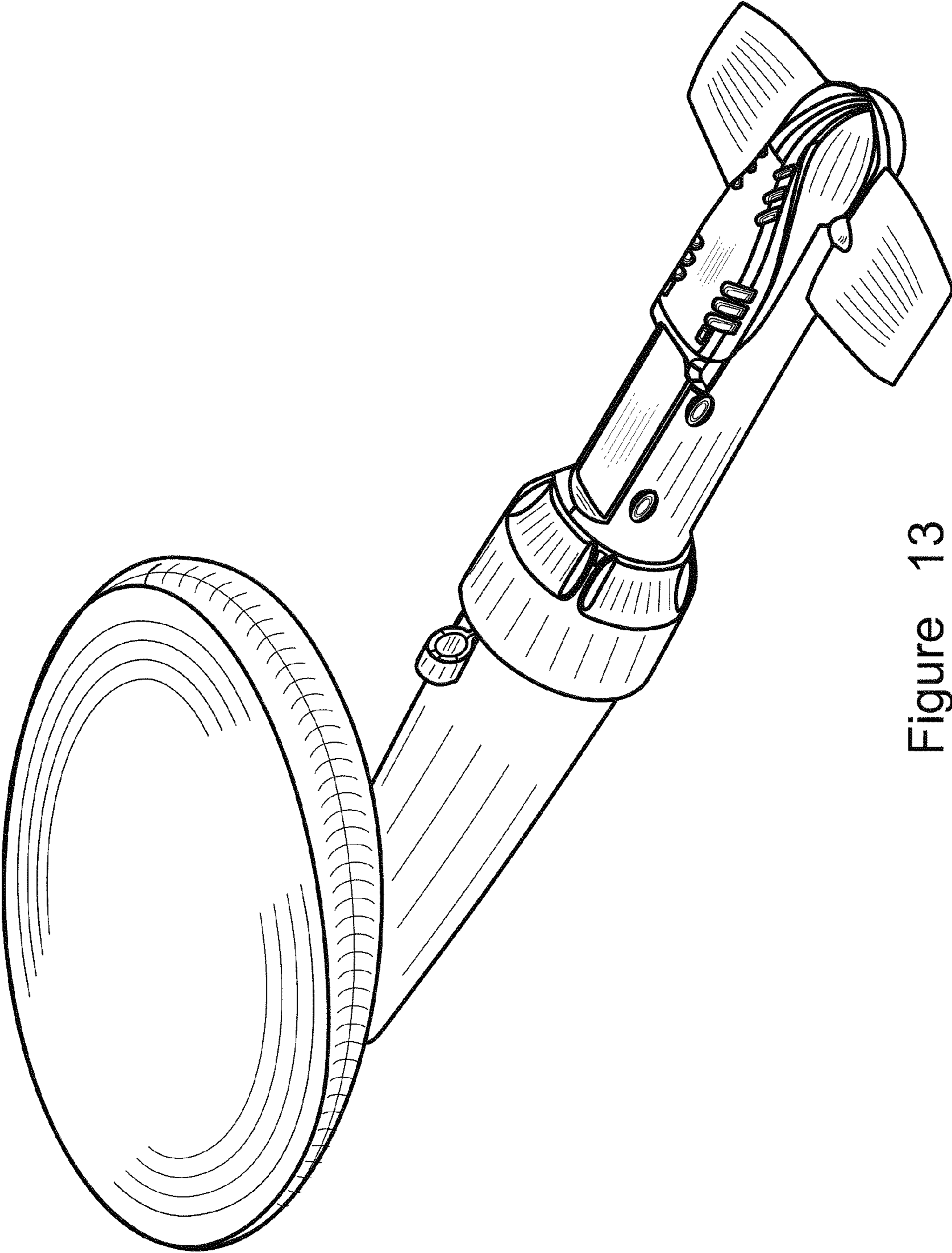


Figure 13

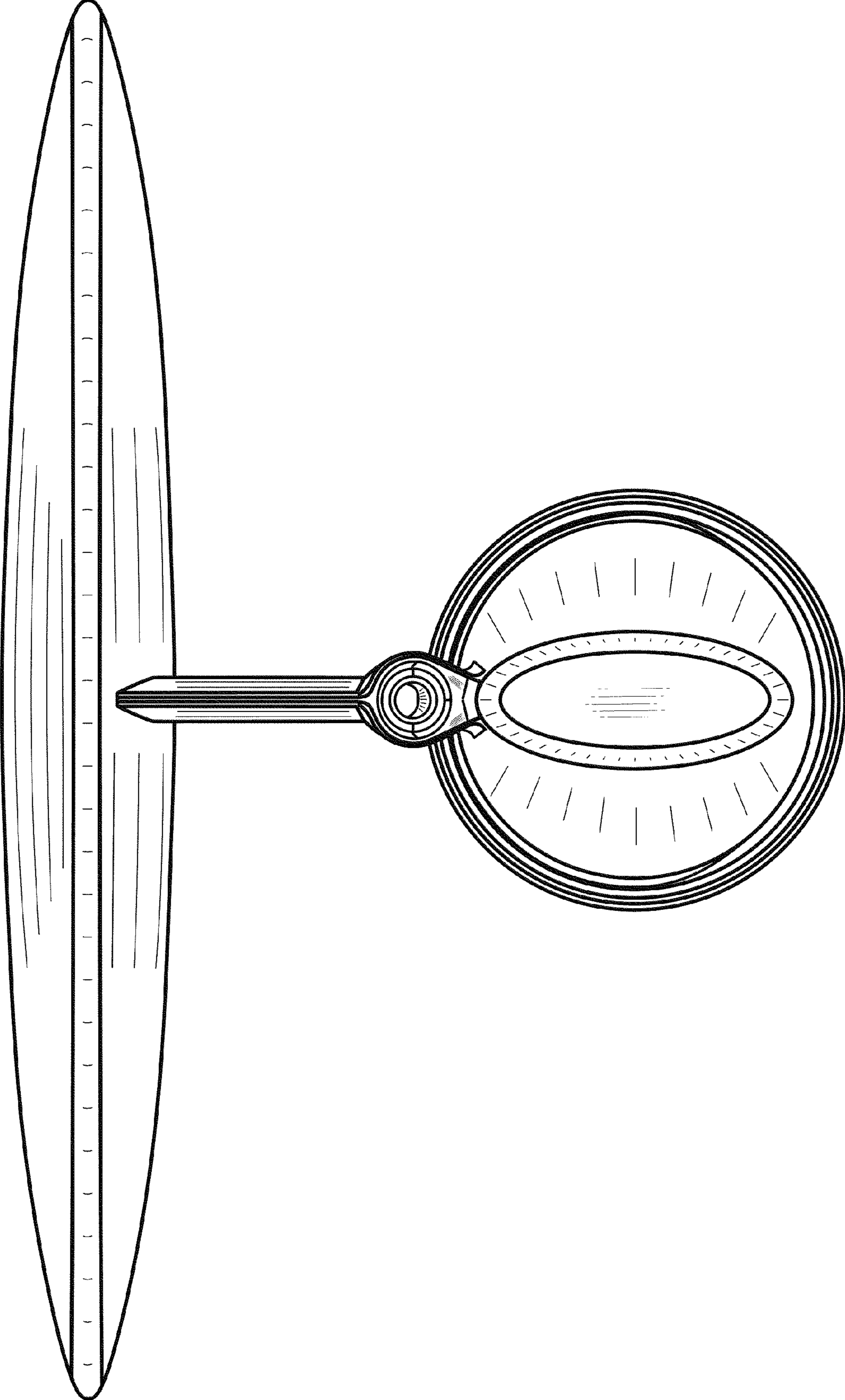


Figure 14