



US00D642654S

(12) **United States Design Patent**
Paulin

(10) **Patent No.:** **US D642,654 S**

(45) **Date of Patent:** **** Aug. 2, 2011**

(54) **WALL FENCE SPIKE STRIP**

(75) Inventor: **Bramley S. Paulin**, Phoenix, AZ (US)

(73) Assignee: **Adna-Reese Ltd.** (TC)

(**) Term: **14 Years**

(21) Appl. No.: **29/344,749**

(22) Filed: **Oct. 2, 2009**

(51) **LOC (9) Cl.** **22-06**

(52) **U.S. Cl.** **D22/119; D25/38**

(58) **Field of Classification Search** **D22/119;**

D25/38; 256/3, 6; 52/101; 43/1

See application file for complete search history.

(56) **References Cited**

U.S. PATENT DOCUMENTS

185,593	A	12/1876	Topliff	
940,755	A	11/1909	Underhill	
3,282,000	A	11/1966	Shaw et al.	
4,832,316	A	5/1989	Mincher	
5,433,029	A	7/1995	Donoho et al.	
D480,151	S *	9/2003	Wanser et al.	D25/38
D485,598	S *	1/2004	Wanser	D22/119
7,243,465	B2	7/2007	Donoho	
2003/0208967	A1 *	11/2003	Riddell	52/101
2005/0189529	A1	9/2005	Humphreys et al.	

FOREIGN PATENT DOCUMENTS

EP 0515262 B1 1/1995

OTHER PUBLICATIONS

International Search Report and Written Opinion regarding PCT/
US2010/023945, dated May 20, 2010.

EP 0 515 262 B1, Machine Translation, ORBIT.COM, dated Mar. 26, 2010.

* cited by examiner

Primary Examiner — Doris Clark

(74) *Attorney, Agent, or Firm* — Meschkow & Gresham, P.L.C.

(57) **CLAIM**

The ornamental design for a wall fence spike strip, as shown and described.

DESCRIPTION

FIG. 1 is a front perspective view of a wall fence spike strip, showing my new design therefor;

FIG. 2 is a side view of the wall fence spike strip in FIG. 1; showing the left side, the right side being a mirror image thereof;

FIG. 3 is a cross sectional view taken on lines 3—3 of FIG. 2; FIG. 4 is a top view of the wall fence spike strip in FIG. 1; FIG. 5 is a bottom view of the wall fence spike strip in FIG. 1; and

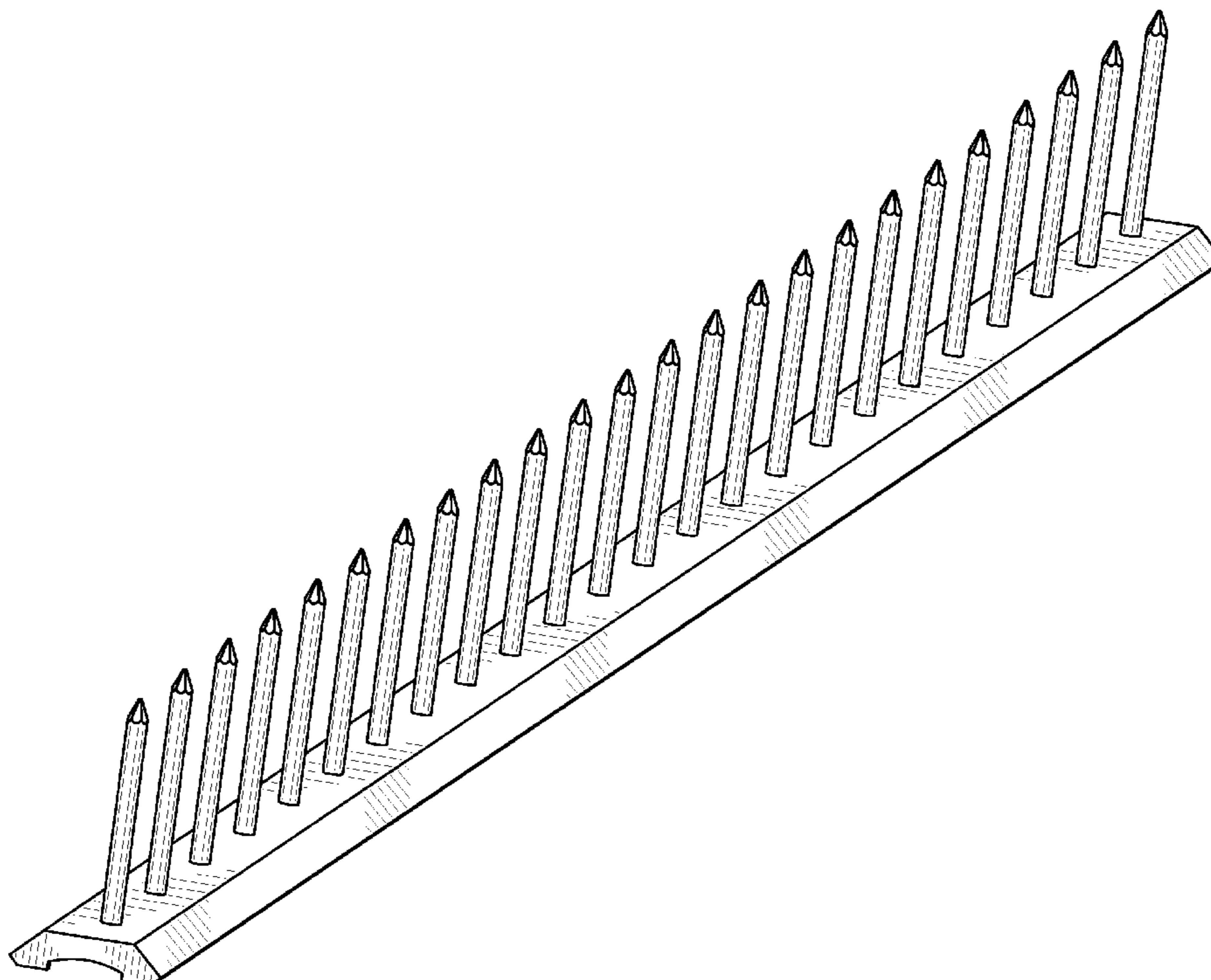
FIG. 6 is a front perspective view of a second embodiment of a wall fence spike strip, showing my new design therefor;

FIG. 7 is a side view of the wall fence spike strip in FIG. 6; showing the left side, the right side being a mirror image thereof;

FIG. 8 is a cross sectional view taken along lines 8—8 of FIG. 7;

FIG. 9 is a top view of the wall fence spike strip in FIG. 6; and, FIG. 10 is a bottom view of the wall fence spike strip in FIG. 6.

1 Claim, 6 Drawing Sheets



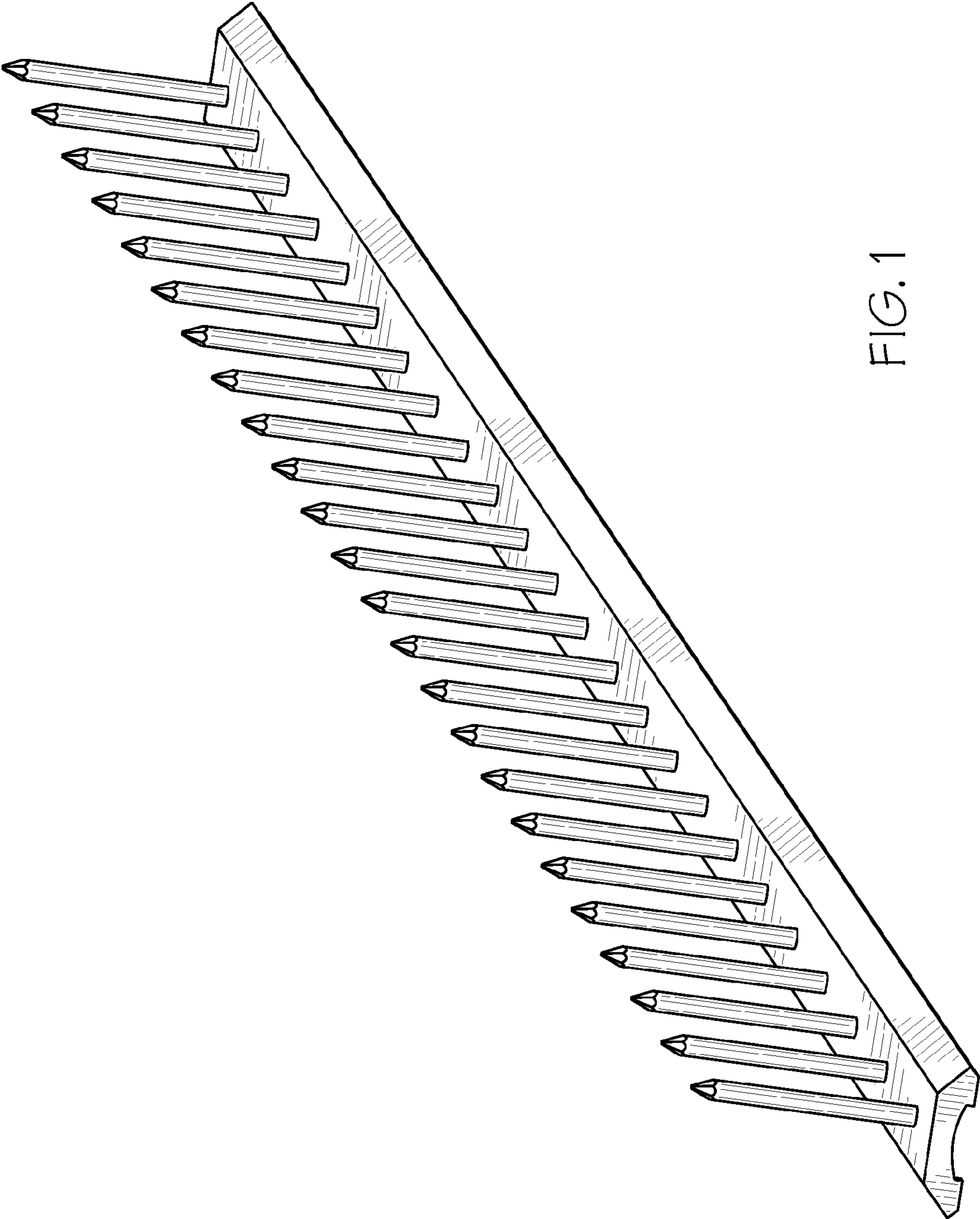


FIG. 1

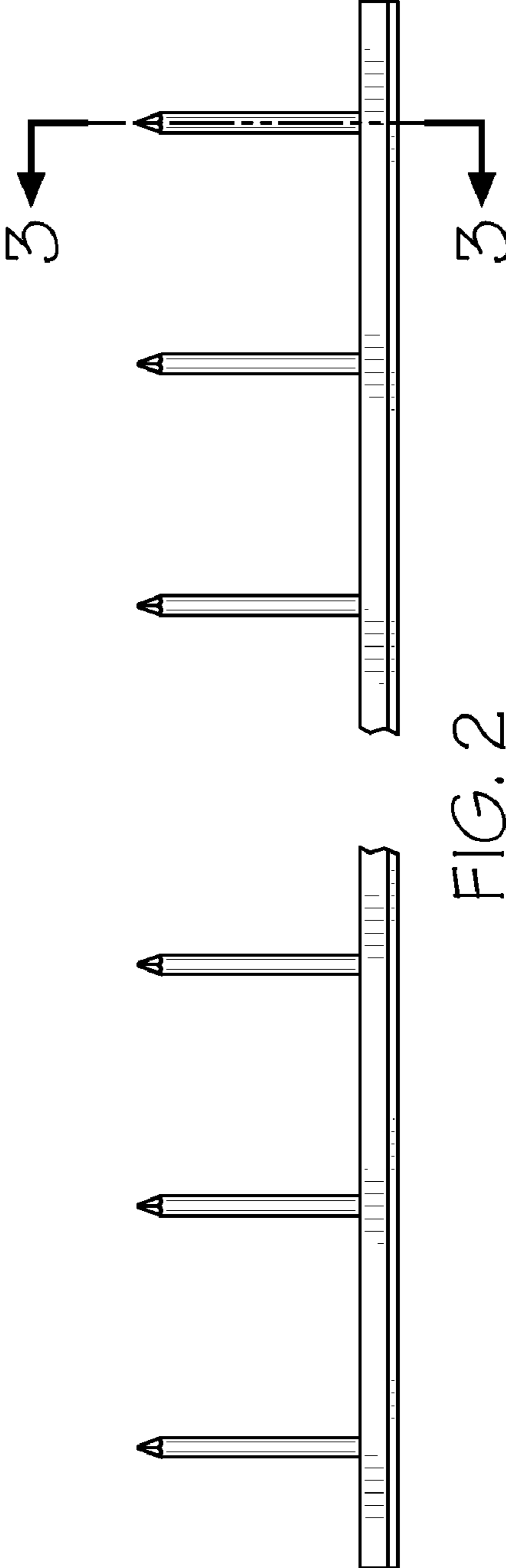


FIG. 2

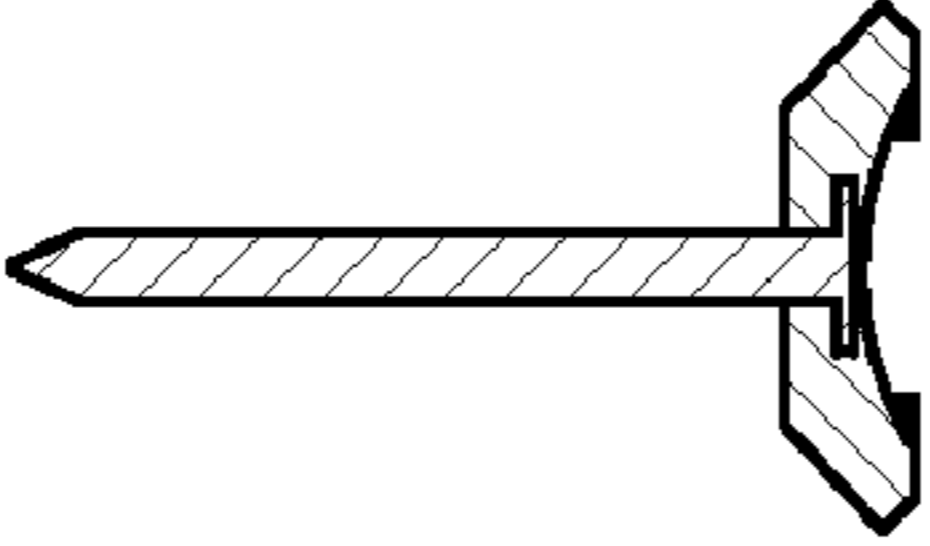


FIG. 3

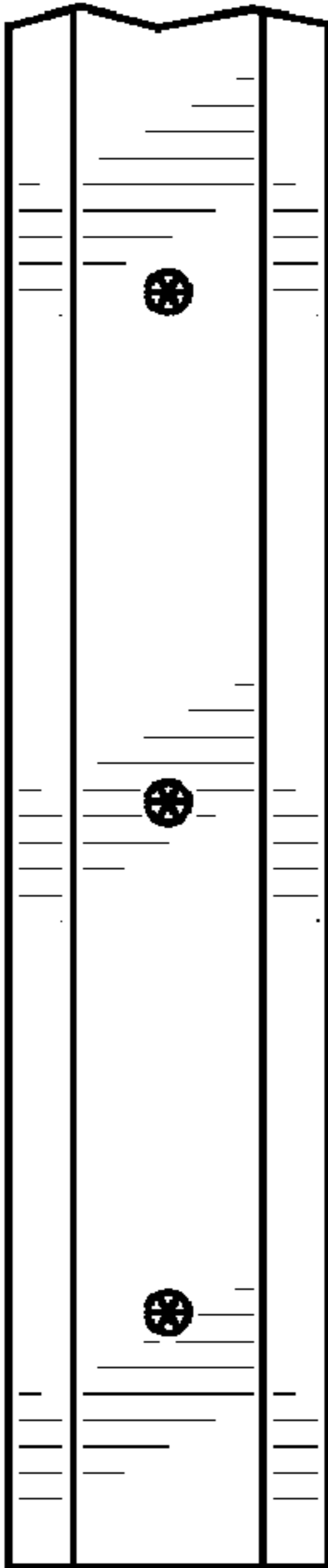
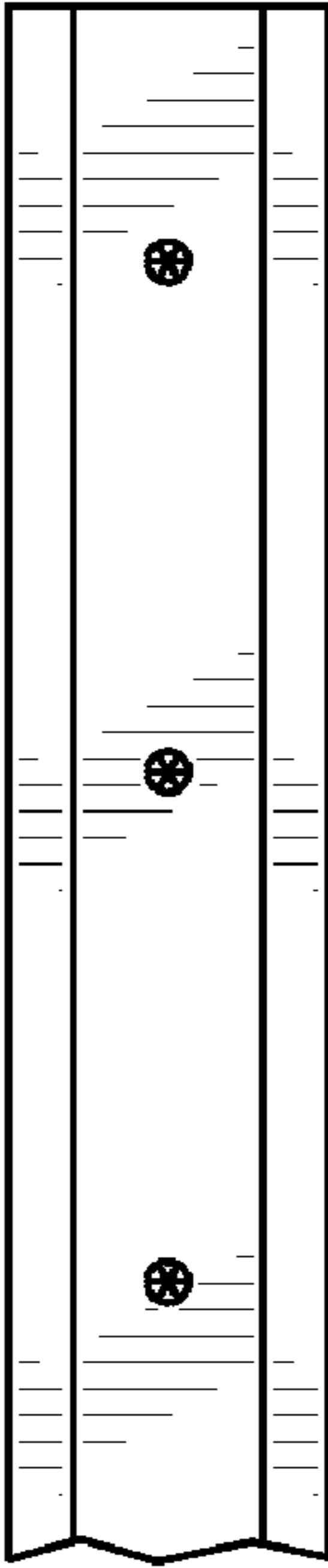


FIG. 4

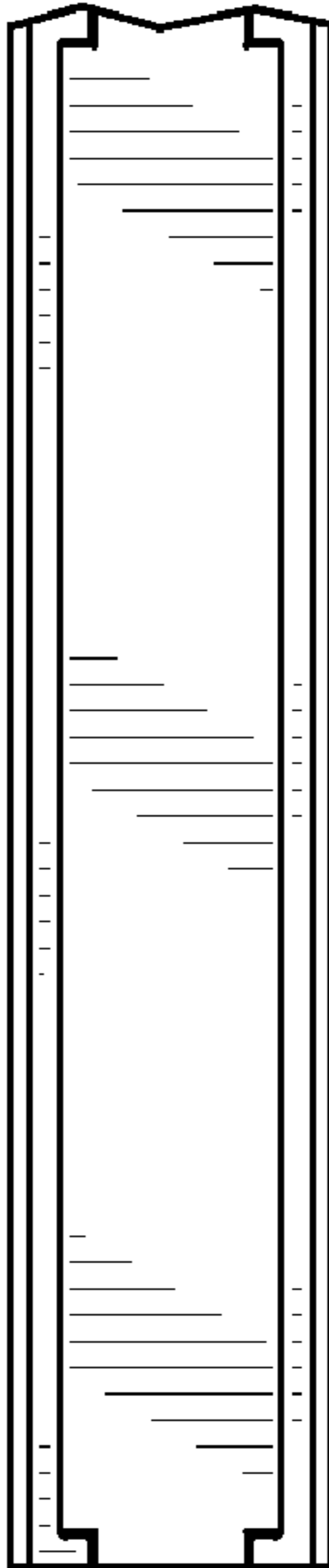
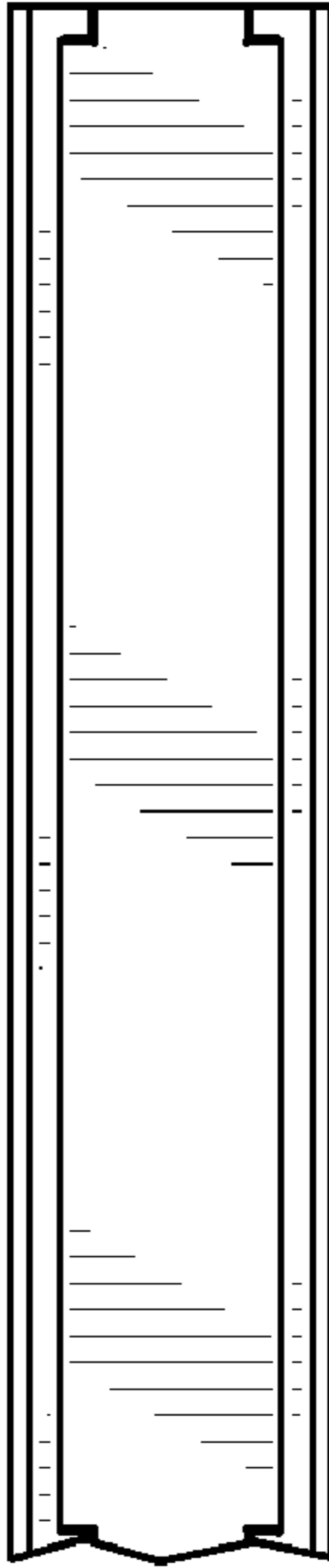


FIG. 5

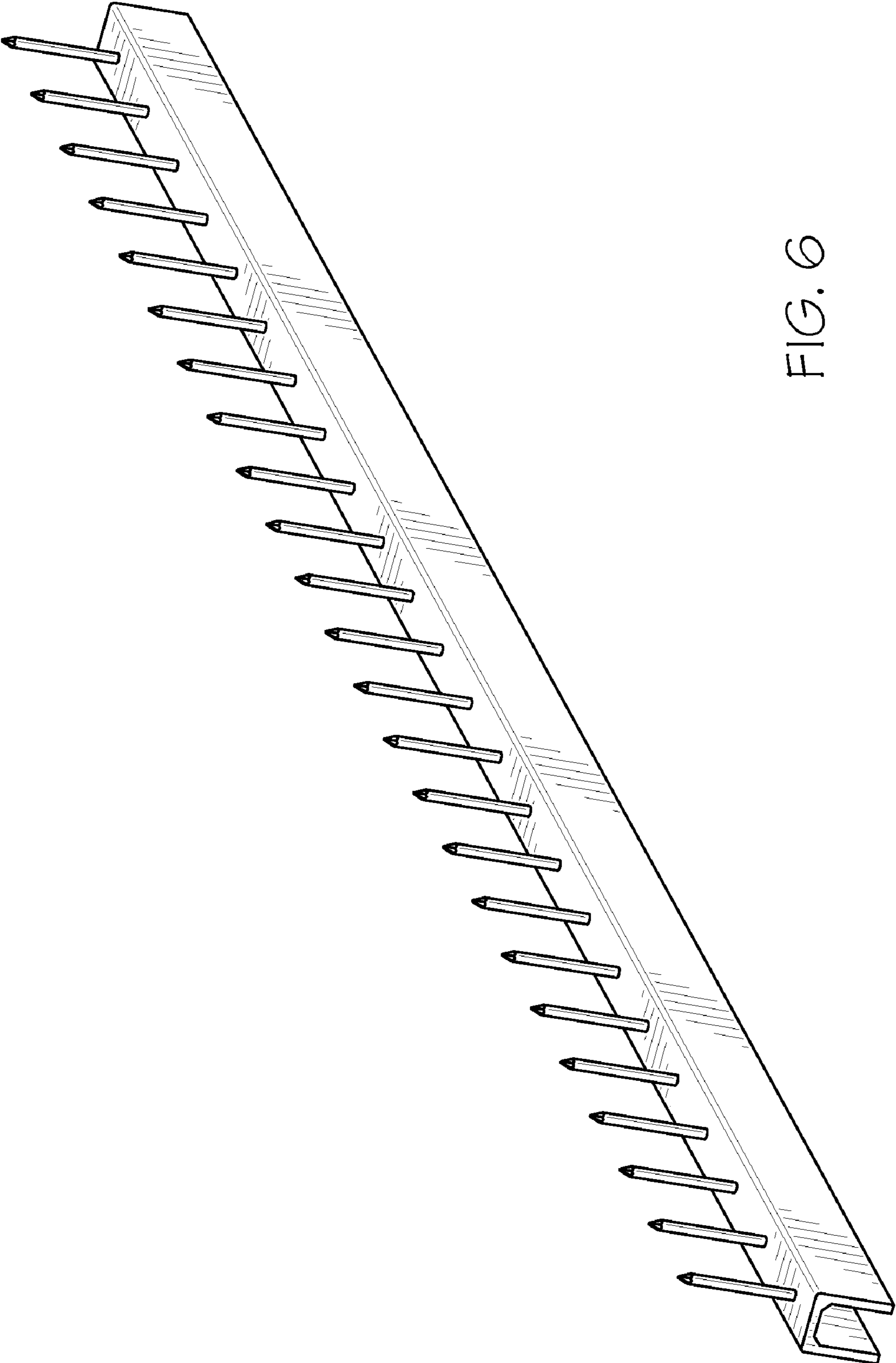


FIG. 6

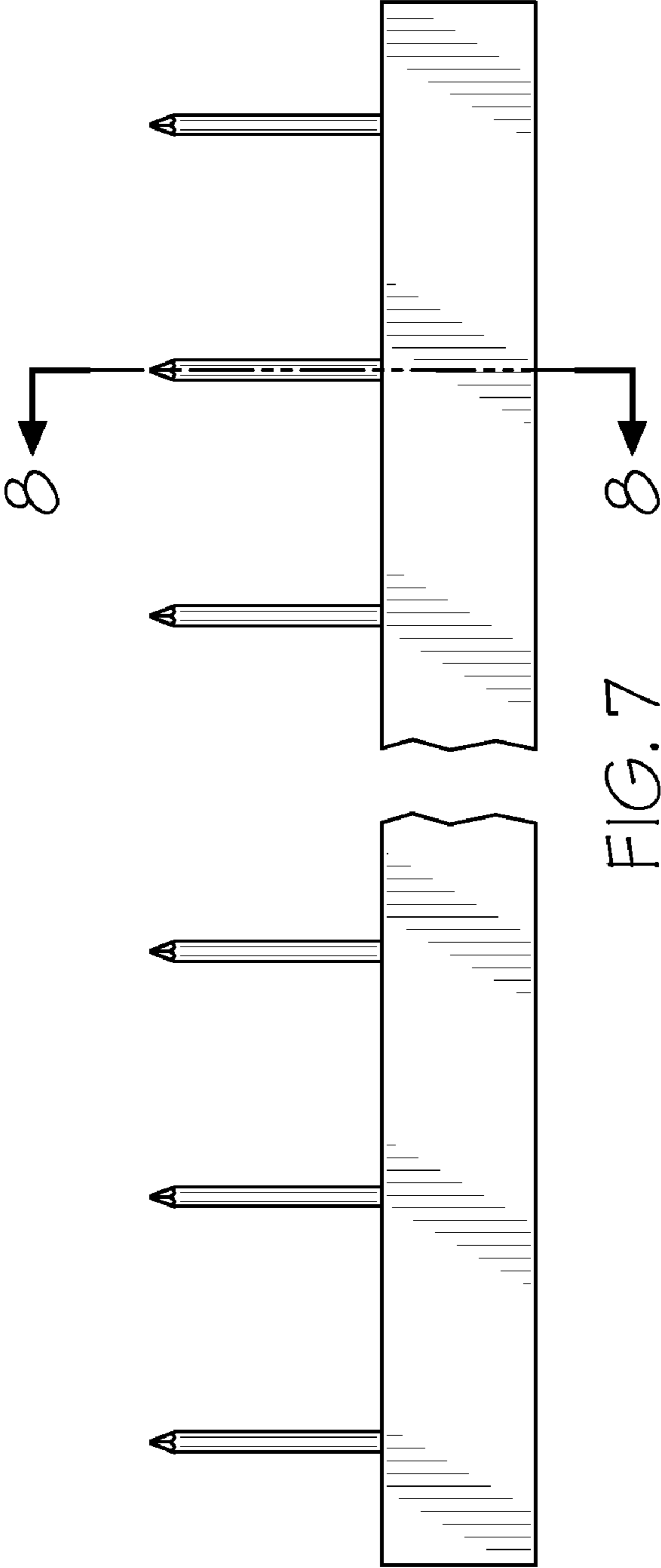


FIG. 7

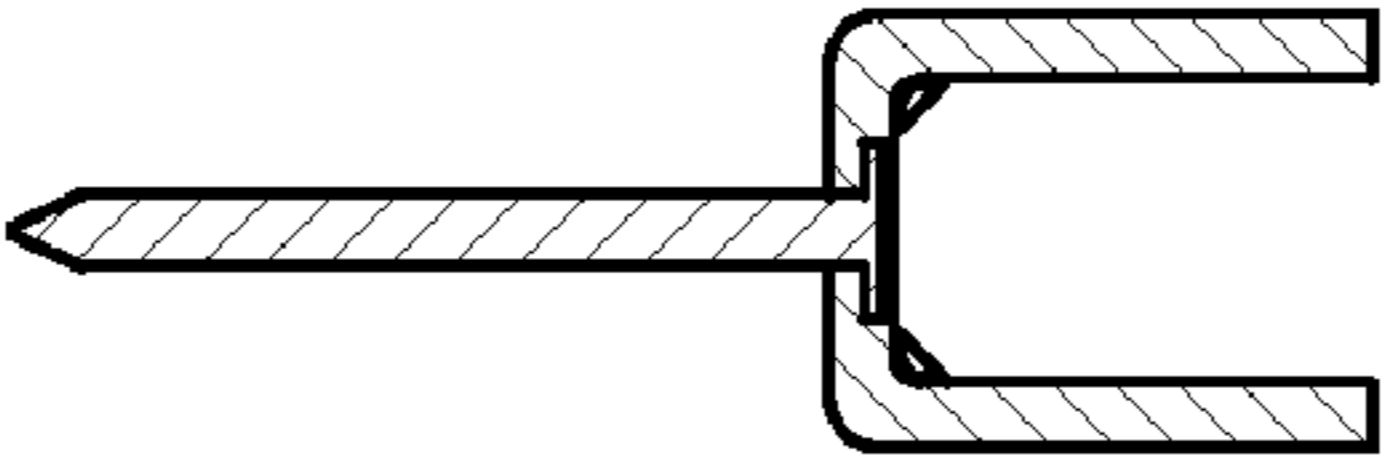


FIG. 8



FIG. 9

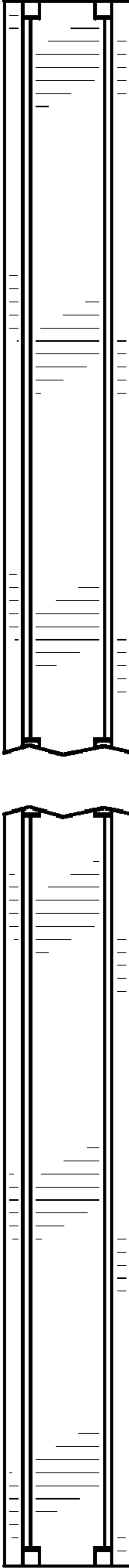


FIG. 10