



US00D642653S

(12) **United States Design Patent**  
**Riley**

(10) **Patent No.:** **US D642,653 S**

(45) **Date of Patent:** **\*\* Aug. 2, 2011**

(54) **SIGHTING SYSTEM**

(75) Inventor: **Lou Riley**, Ft. Lauderdale, FL (US)

(73) Assignee: **Gamo Outdoor USA, Inc.**, Ft. Lauderdale, FL (US)

(\*\*) Term: **14 Years**

(21) Appl. No.: **29/345,335**

(22) Filed: **Oct. 14, 2009**

(51) **LOC (9) Cl.** ..... **22-01**

(52) **U.S. Cl.** ..... **D22/109**

(58) **Field of Classification Search** ..... D22/108-110,  
D22/199; D16/132, 130, 133, 330, 134;  
359/399, 823, 744; 42/111, 133, 119, 122  
See application file for complete search history.

(56) **References Cited**

**U.S. PATENT DOCUMENTS**

D116,013 S	*	8/1939	Brown	.....	D16/132
D308,981 S		7/1990	Moore	.....	D16/132
D330,036 S		10/1992	Owens	.....	D16/132
D349,510 S	*	8/1994	Tomita	.....	D16/132
D365,858 S	*	1/1996	Tomita	.....	D22/109
D421,286 S		2/2000	Tucker	.....	D22/109
D444,160 S		6/2001	Koshibe et al.	.....	D16/132

D497,625 S	*	10/2004	Kung	.....	D16/132
D522,550 S		6/2006	Kung	.....	D16/132
D548,761 S		8/2007	Kung	.....	D16/132
D579,960 S		11/2008	Kung	.....	D16/132
D594,495 S		6/2009	York	.....	D16/132

\* cited by examiner

*Primary Examiner* — T. Chase Nelson

*Assistant Examiner* — Michael Pratt

(74) *Attorney, Agent, or Firm* — King & Spalding L.L.P.

(57) **CLAIM**

The ornamental design for a sighting system, as shown and described.

**DESCRIPTION**

FIG. 1 is a perspective view of a sighting system, showing my new design;

FIG. 2 is a first side elevational view thereof;

FIG. 3 is a second side elevational view thereof;

FIG. 4 is a front elevational view thereof;

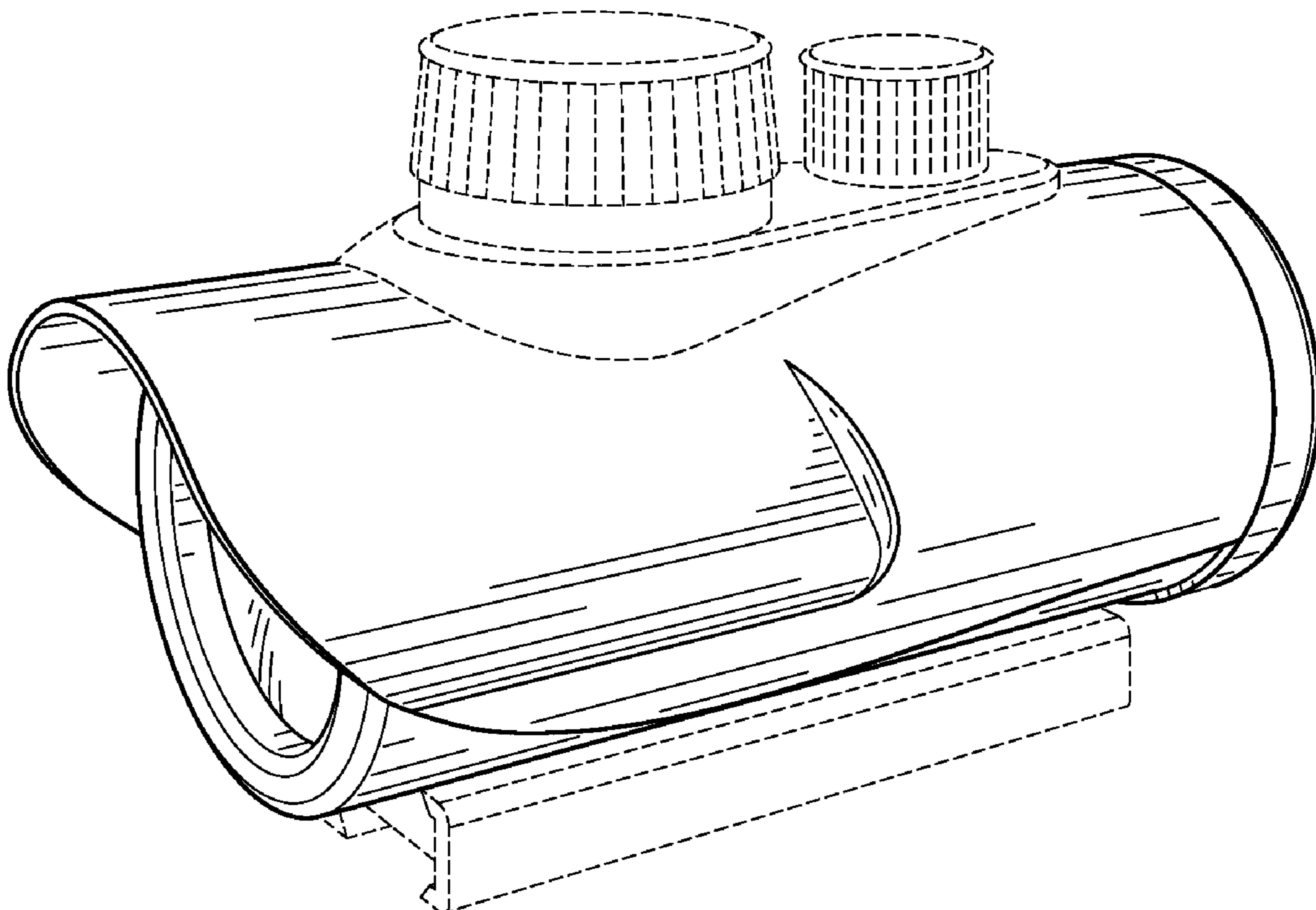
FIG. 5 is a rear elevational view thereof;

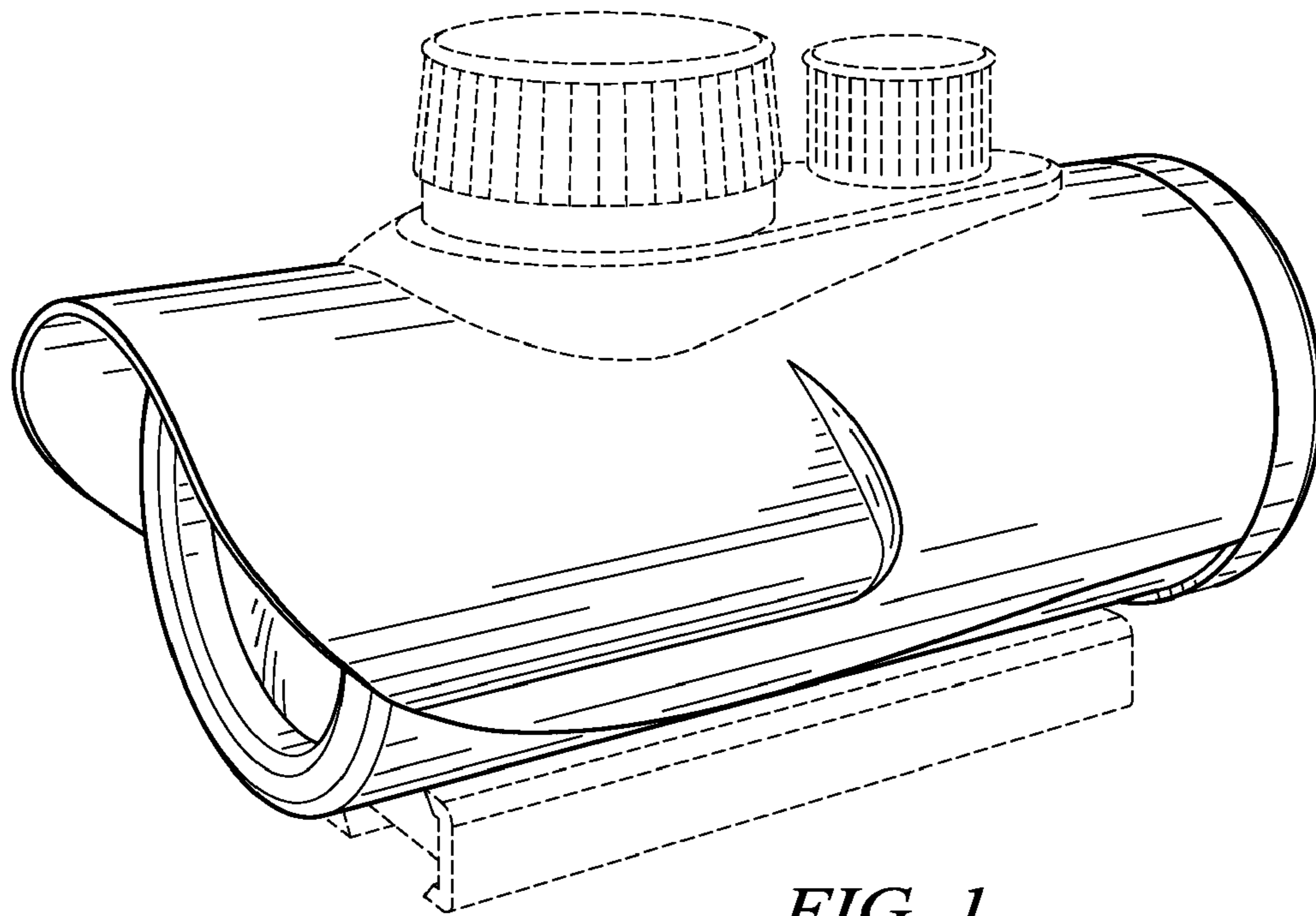
FIG. 6 is a top elevational view thereof; and,

FIG. 7 is a bottom elevational view thereof.

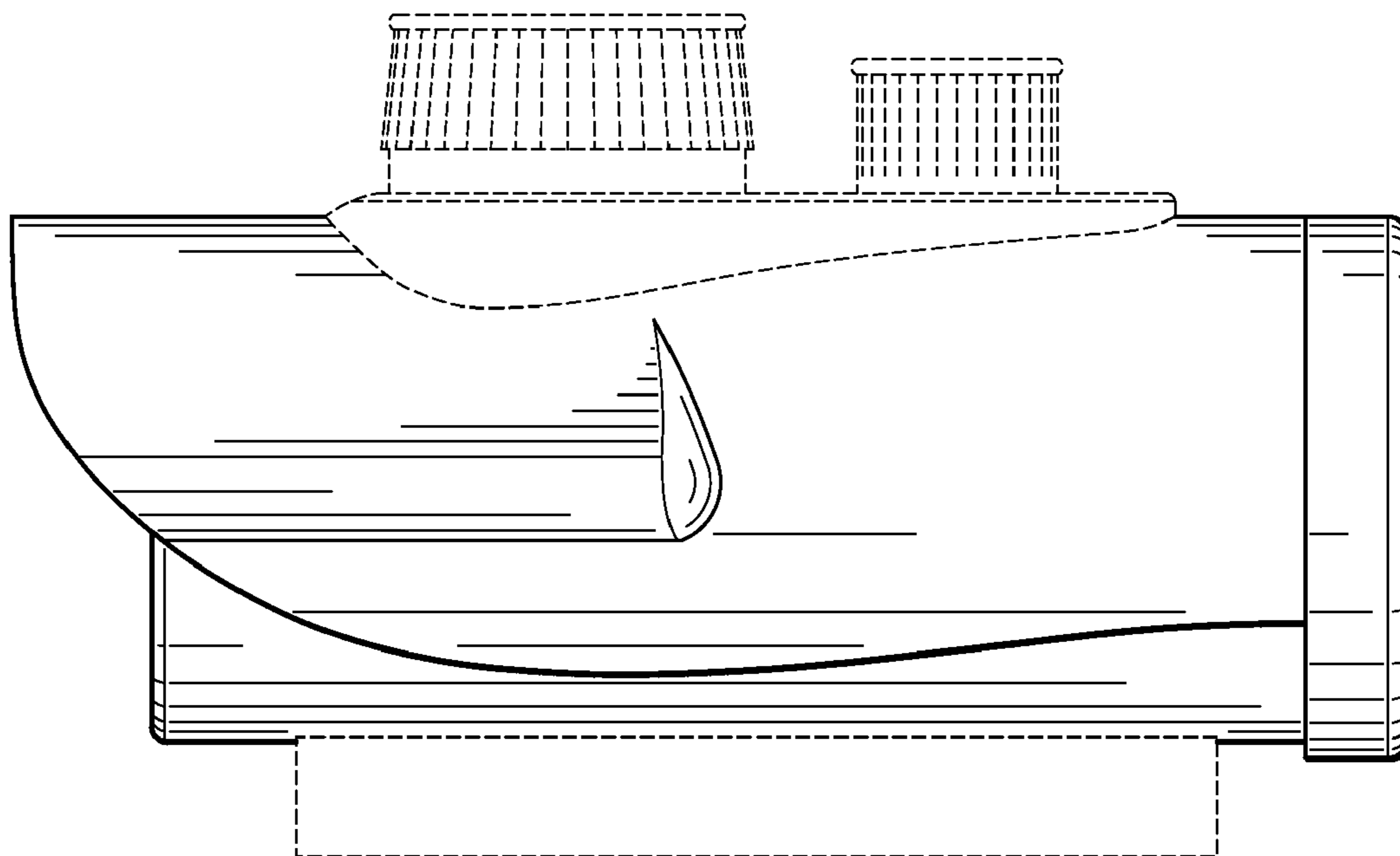
The broken line showings in the Figures are for environmental purposes only and form no part of the claimed design.

**1 Claim, 3 Drawing Sheets**





*FIG. 1*



*FIG. 2*

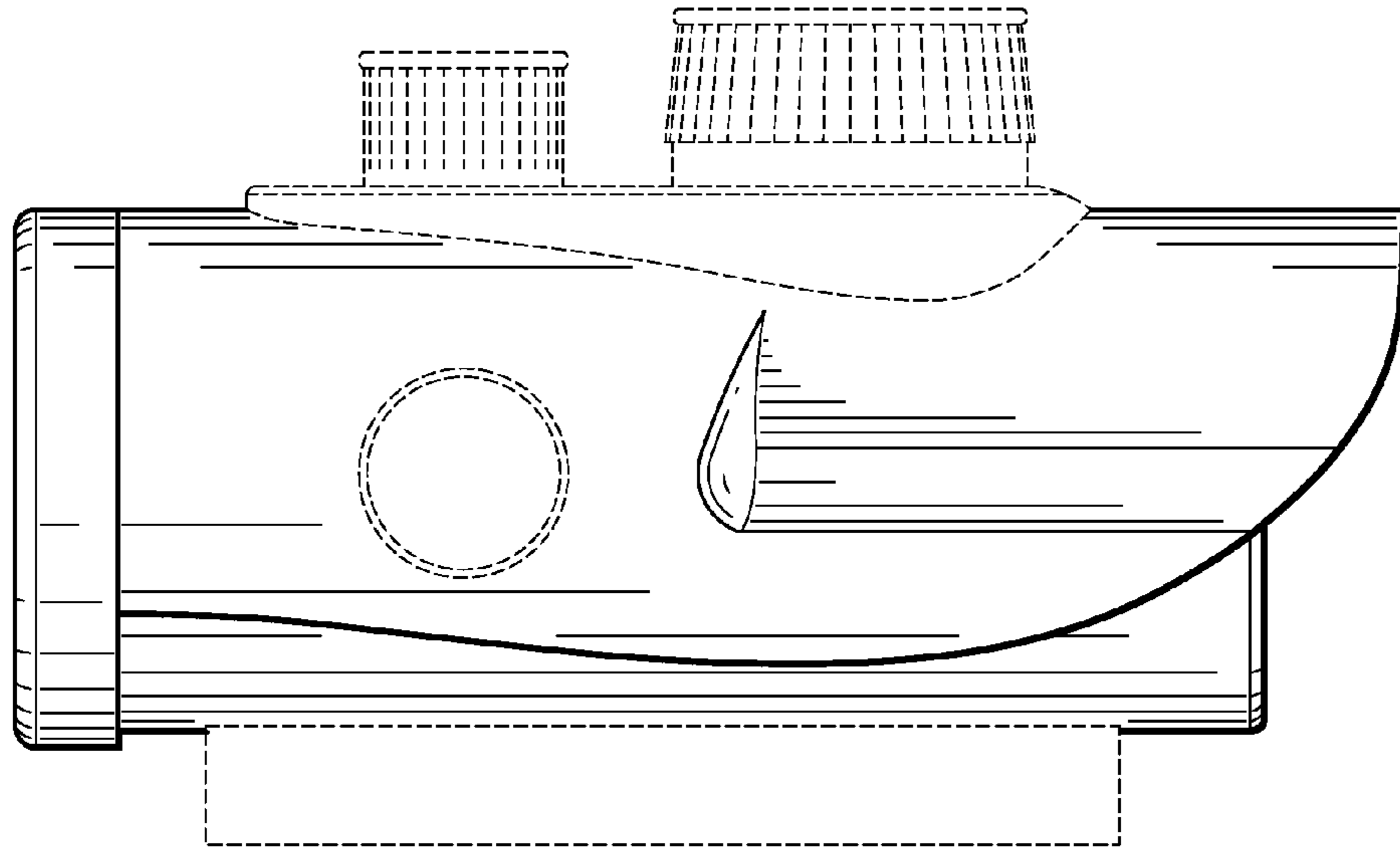


FIG. 3

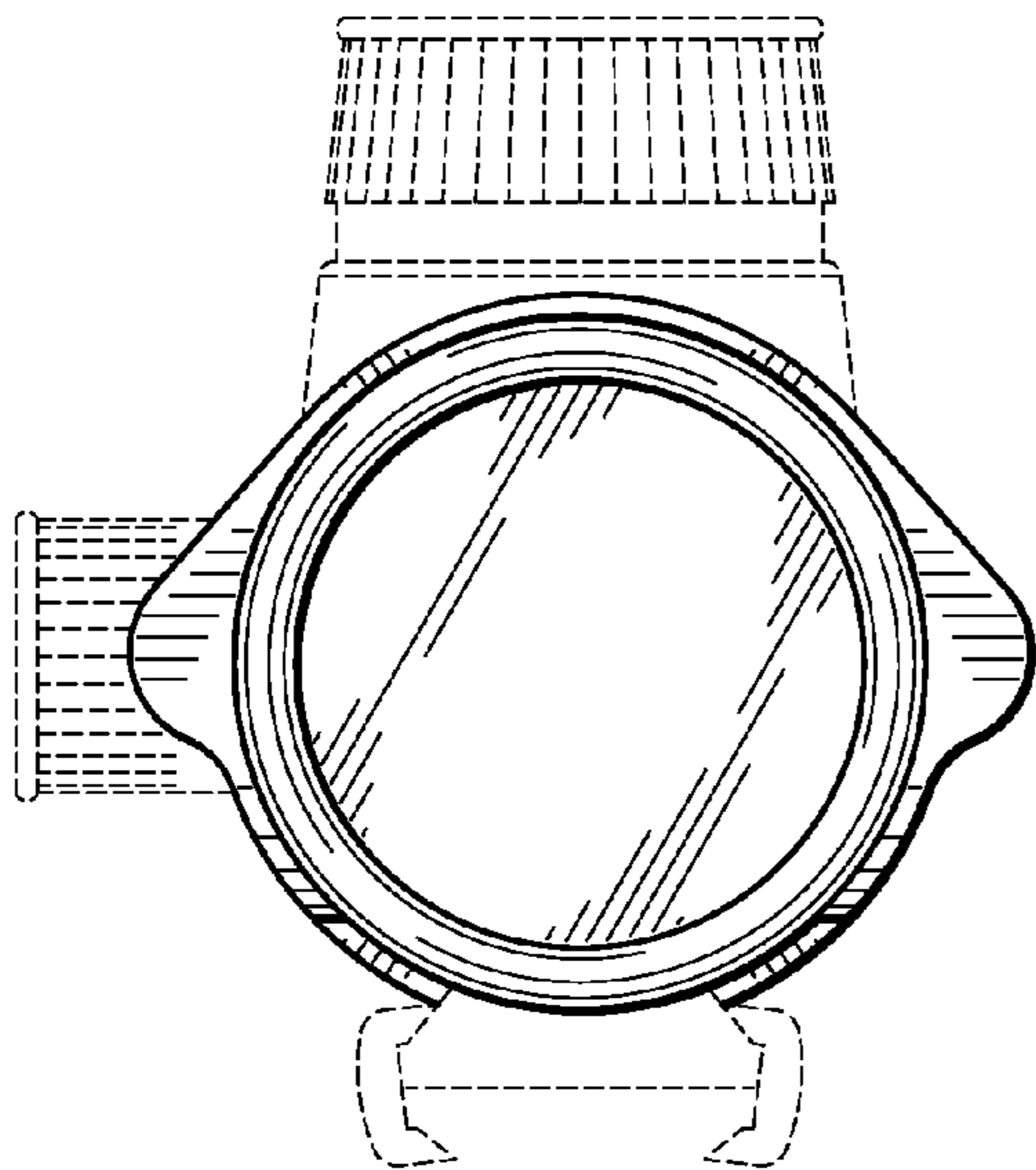


FIG. 4

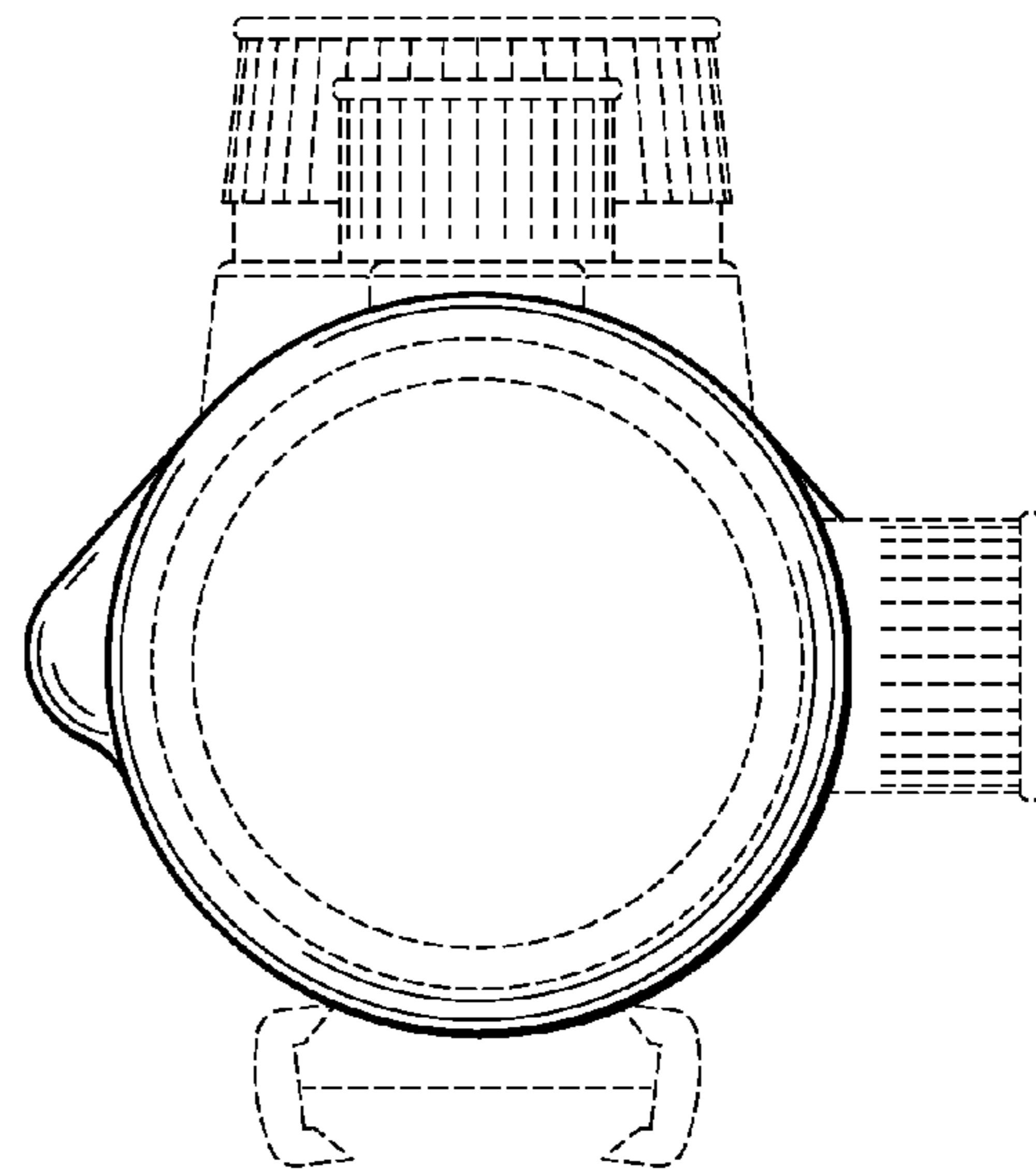


FIG. 5

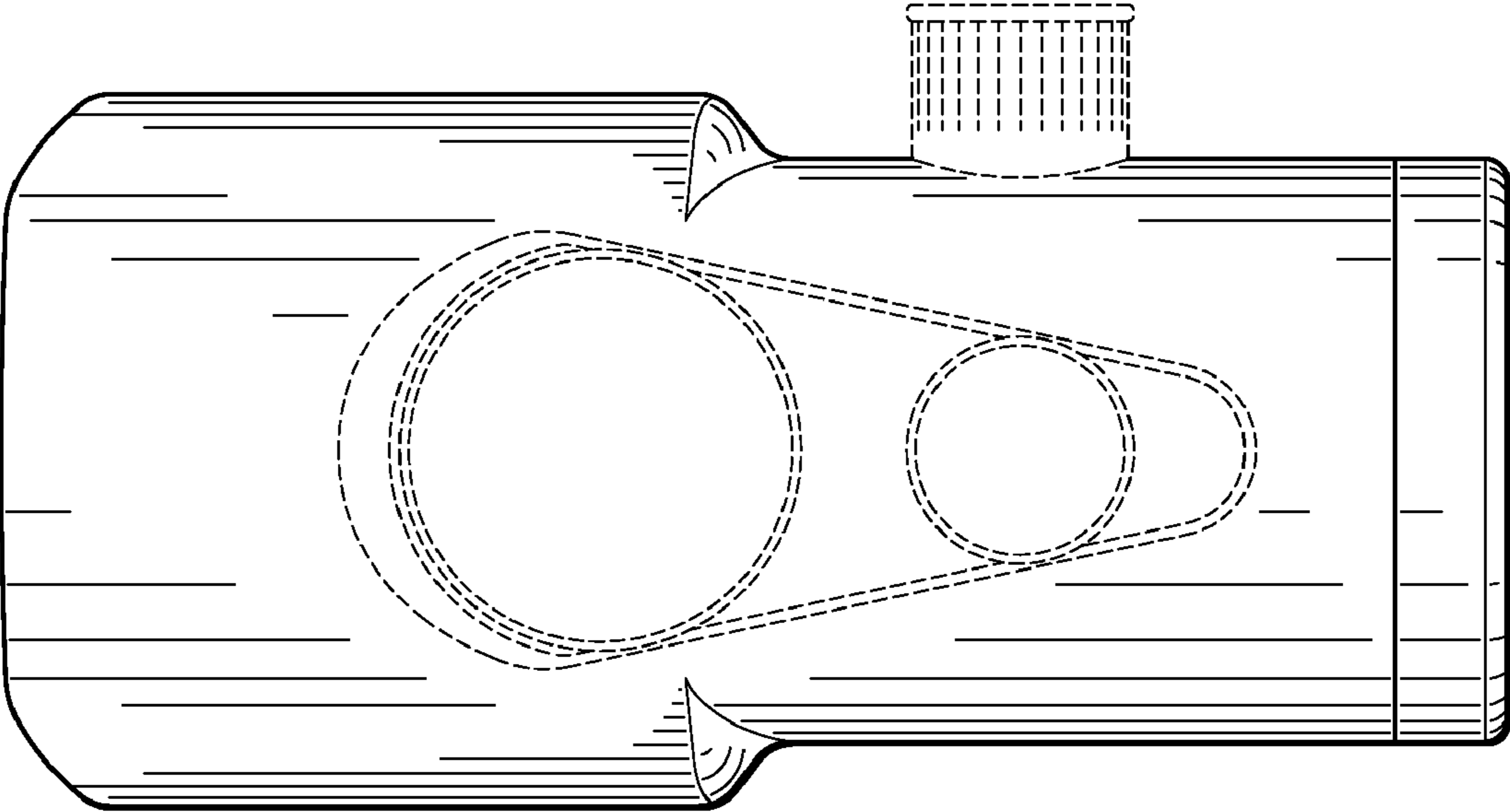


FIG. 6

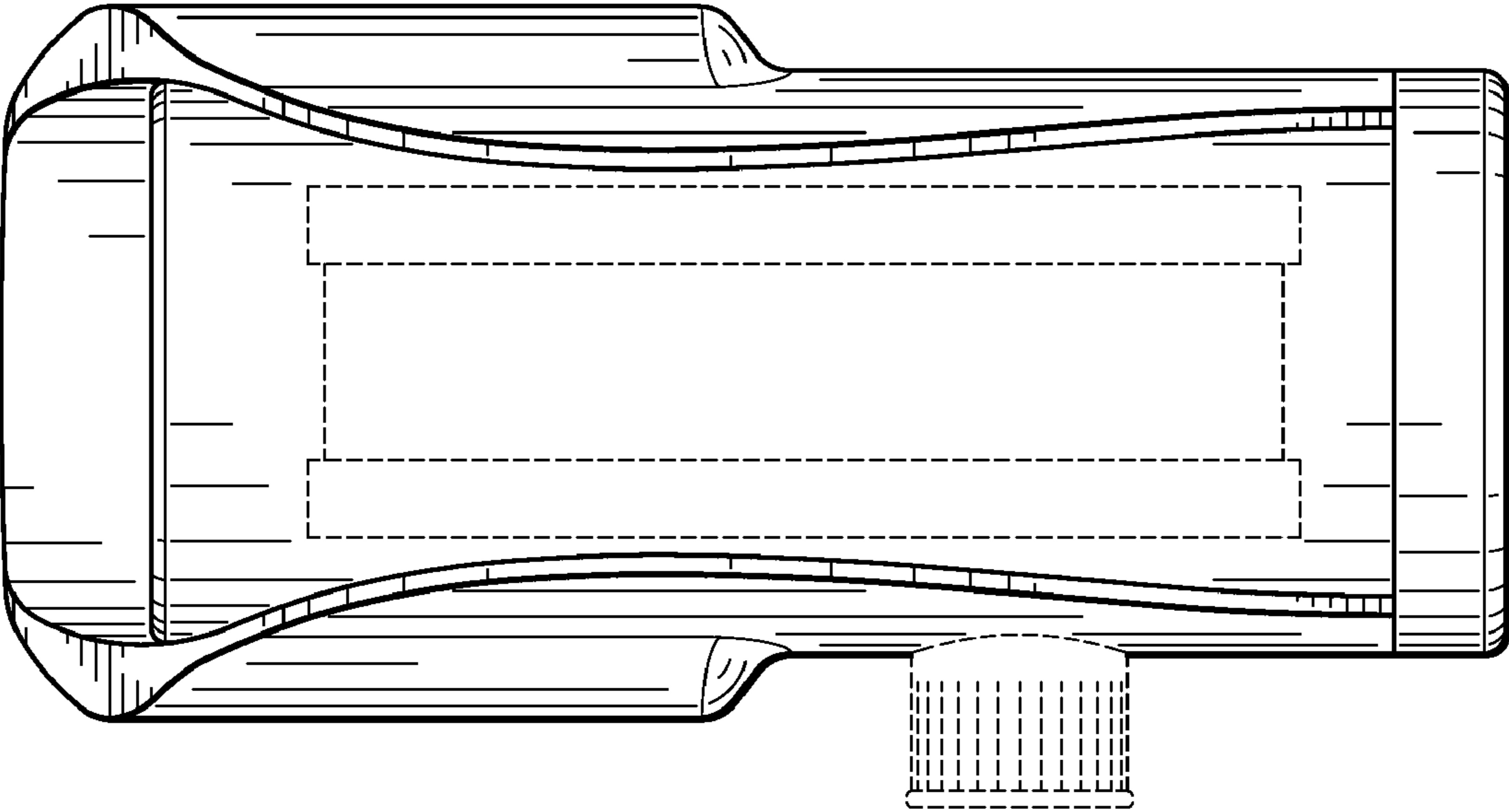


FIG. 7