



US00D642652S

(12) **United States Design Patent**
Juarez et al.

(10) **Patent No.:** **US D642,652 S**
(45) **Date of Patent:** **** Aug. 2, 2011**

(54) **KNOB ATTACHMENT FOR A FIREARM BOLT HANDLE**

DESCRIPTION

(75) Inventors: **Justin R. Juarez**, Longmont, CO (US);
Vince T. Juarez, Colorado Springs, CO (US);
John H. Lucas, Clarksville, TN (US)

(73) Assignee: **Kinetic Research Group, Ltd.**,
Longmont, CO (US)

(**) Term: **14 Years**

(21) Appl. No.: **29/376,832**

(22) Filed: **Oct. 13, 2010**

(51) **LOC (9) Cl.** **22-01**

(52) **U.S. Cl.** **D22/108**

(58) **Field of Classification Search** D22/101-108;
D8/300, 310-312, 322, 250, 254; 16/114 R,
16/11 R; 42/71.01-74; 292/374, DIG. 2;
74/553, 558.5

See application file for complete search history.

(56) **References Cited**

U.S. PATENT DOCUMENTS

2,030,149	A *	2/1936	Mossberg	42/16
2,107,204	A *	2/1938	Macksey	16/441
2,134,770	A *	11/1938	Weber	74/503
D132,606	S *	6/1942	Schlage	D8/312
3,745,683	A *	7/1973	Koon, Jr.	42/16
D304,071	S *	10/1989	Haug et al.	D23/250
5,722,194	A *	3/1998	Wurger et al.	42/69.02
D418,390	S *	1/2000	Marquis	D8/322
D573,438	S *	7/2008	Ricereto	D8/310

* cited by examiner

Primary Examiner — T. Chase Nelson

Assistant Examiner — Michael Pratt

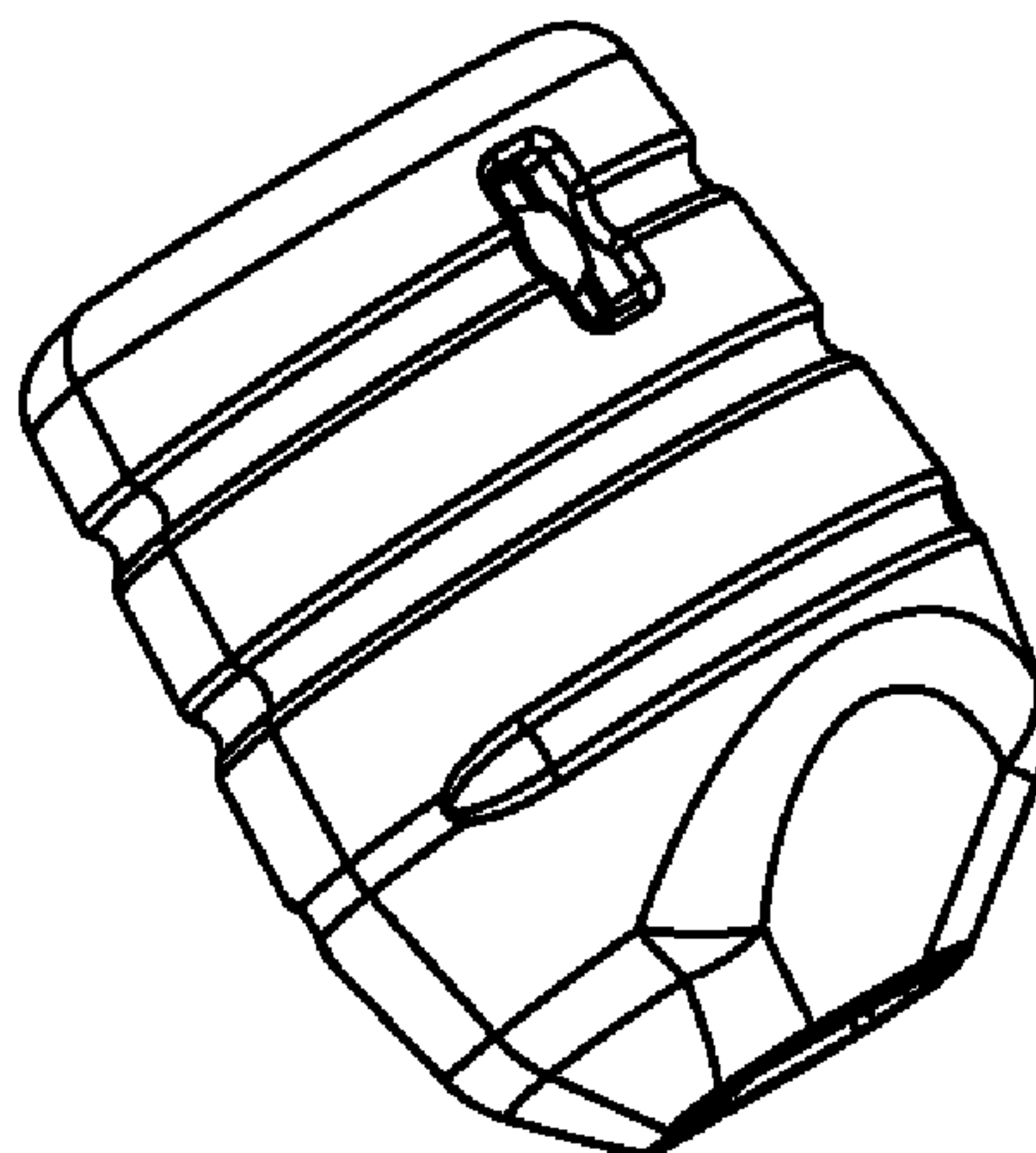
(74) *Attorney, Agent, or Firm* — Geoffrey E. Dobbin

(57) **CLAIM**

The ornamental design for a knob attachment for a firearm bolt handle, as shown and described.

FIG. 1 is an upper perspective view of the knob attachment for a firearm bolt handle.
 FIG. 2 is a lower perspective view of the knob attachment for a firearm bolt handle.
 FIG. 3 is top plan view of the knob attachment for a firearm bolt handle.
 FIG. 4 is a bottom plan view of the knob attachment for a firearm bolt handle.
 FIG. 5 is right elevation of the knob attachment for a firearm bolt handle.
 FIG. 6 is a left elevation of the knob attachment for a firearm bolt handle.
 FIG. 7 is an upper perspective view of the top half of the knob attachment for a firearm bolt handle.
 FIG. 8 is a lower perspective view of the bottom half of the knob attachment for a firearm bolt handle.
 FIG. 9 is a lower perspective view of the top half of the knob attachment for a firearm bolt handle.
 FIG. 10 is an upper perspective view of the bottom half of the knob attachment for a firearm bolt handle.
 FIG. 11 is an exploded perspective view of the knob attachment for a firearm bolt handle.
 FIG. 12 is rear elevation of the knob attachment for a firearm bolt handle, mounted upon a firearm bolt handle, the front elevation being a mirror image thereof.
 FIG. 13 is an upper perspective view of the knob attachment for a firearm bolt handle mounted upon a firearm bolt handle.
 FIG. 14 is a top plan view of the knob attachment for a firearm bolt handle mounted upon a firearm bolt handle.
 FIG. 15 is a bottom plan view of the knob attachment for a firearm bolt handle mounted upon a firearm bolt handle.
 FIG. 16 is an exploded elevation view of the knob attachment for a firearm bolt handle.
 FIG. 17 is an exploded elevation view of the knob attachment for a firearm bolt handle mounted upon a firearm bolt handle; and,
 FIG. 18 is an exploded perspective view of the knob attachment for a firearm bolt handle mounted upon a firearm bolt handle.
 The broken lines in FIGS. 5 and 9-18 depict interior structural elements and usage and are illustrative of environment and not intended to form a part of the claimed design.

1 Claim, 4 Drawing Sheets



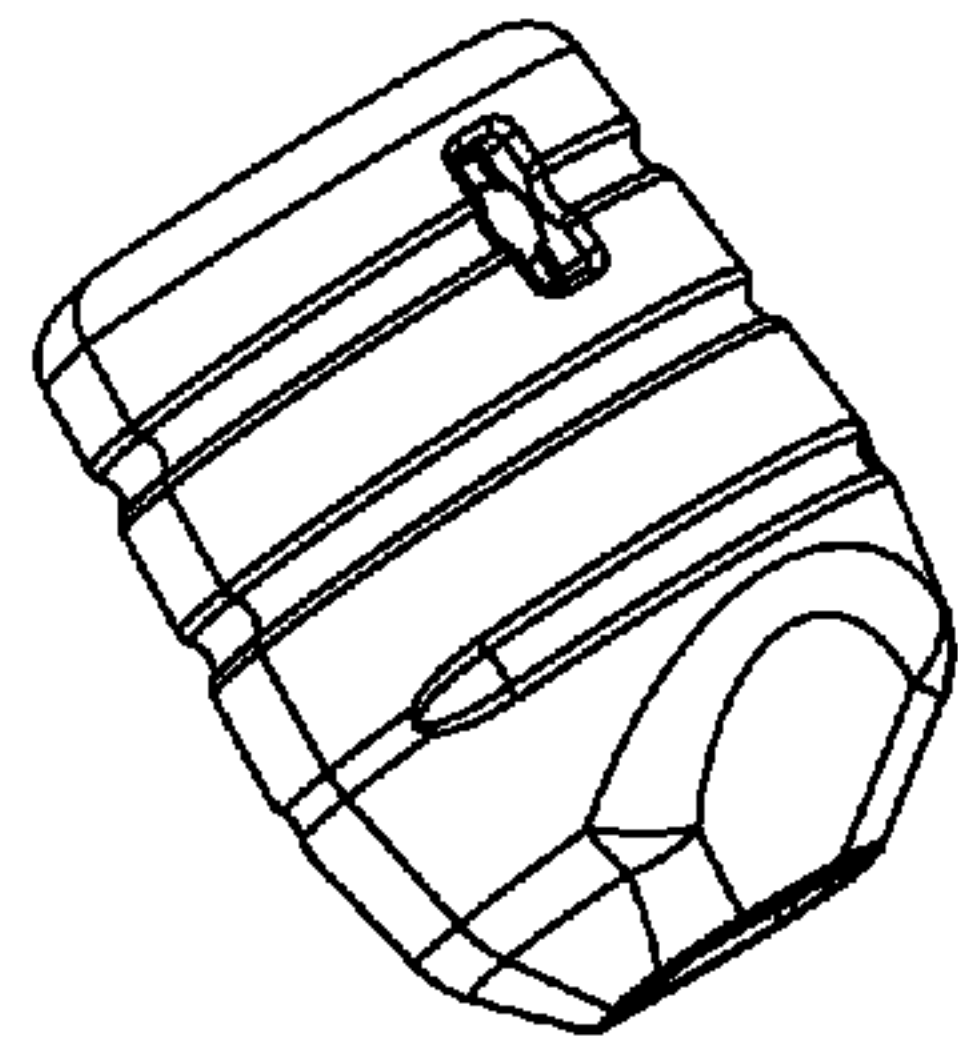


FIG. 1

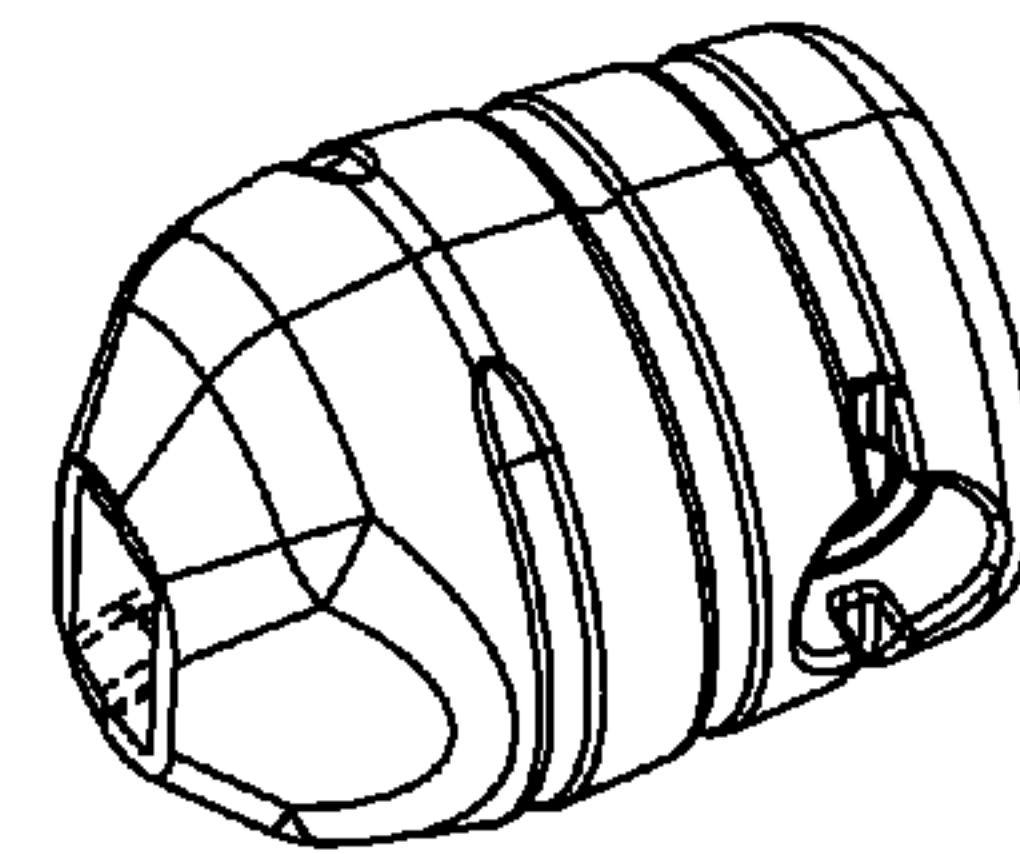


FIG. 2

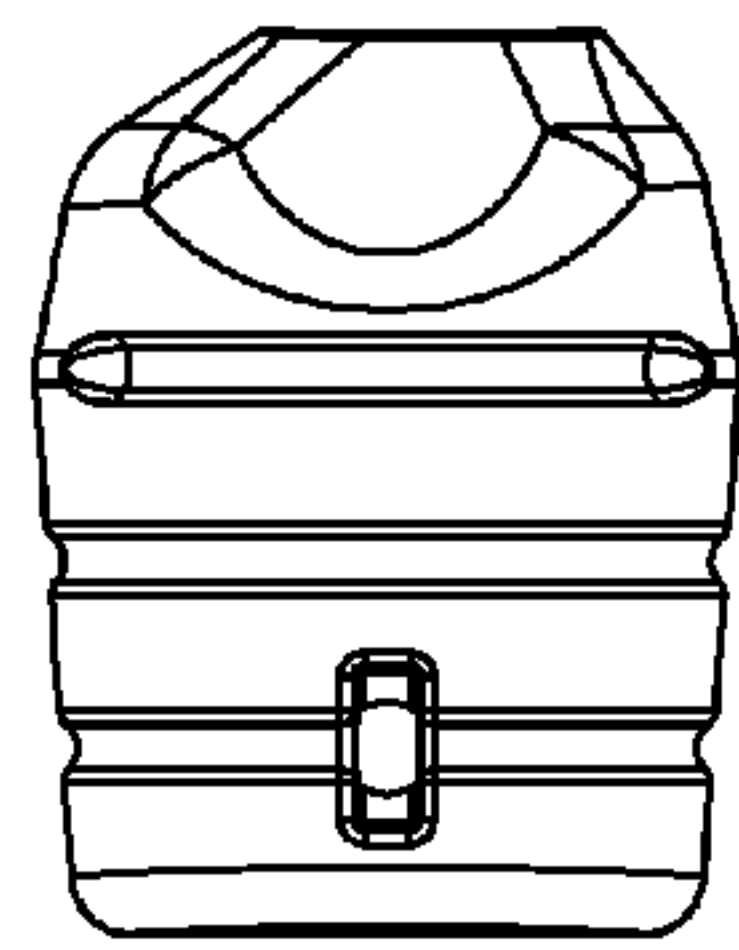


FIG. 3

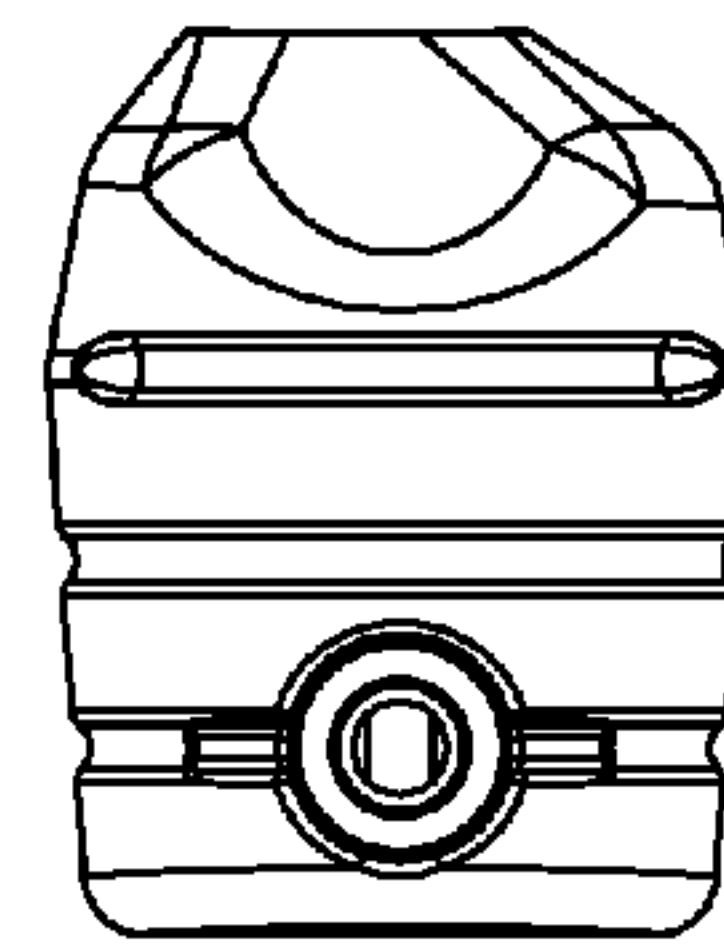


FIG. 4

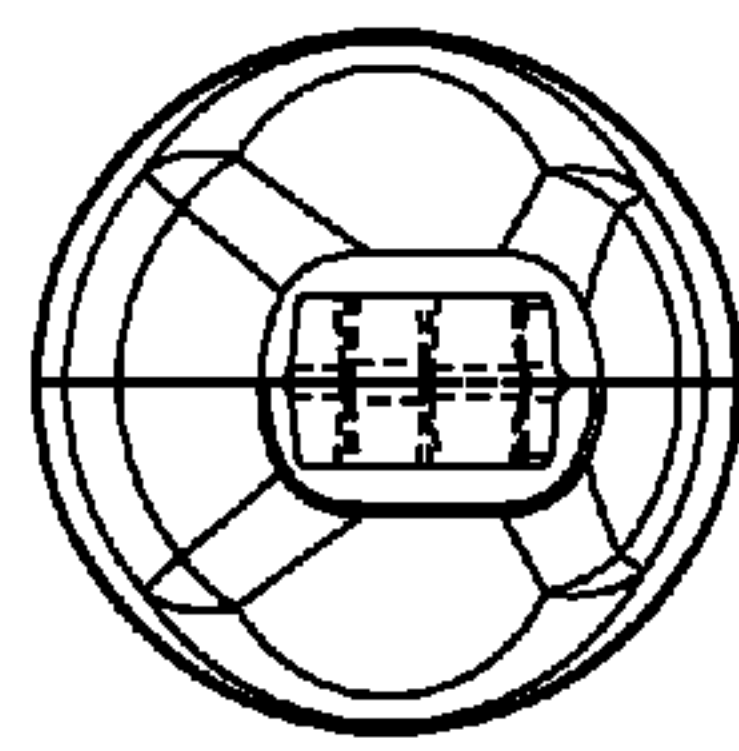


FIG. 5

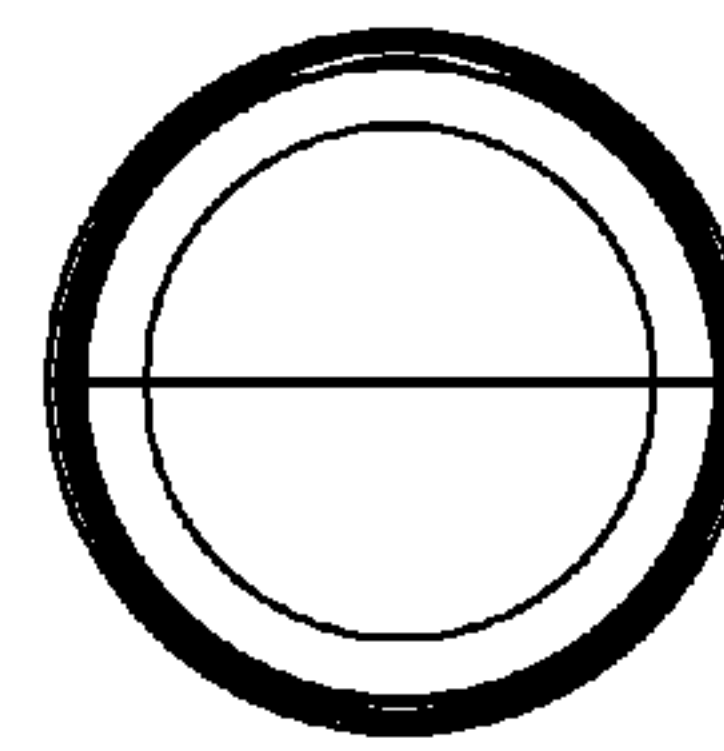


FIG. 6

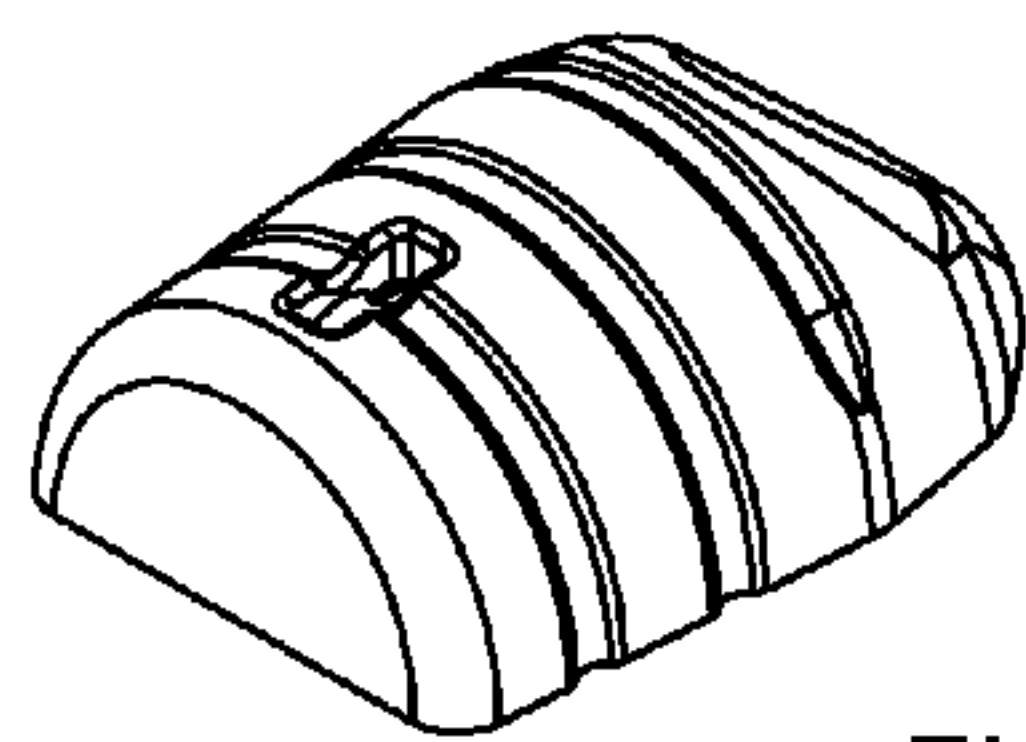


FIG. 7

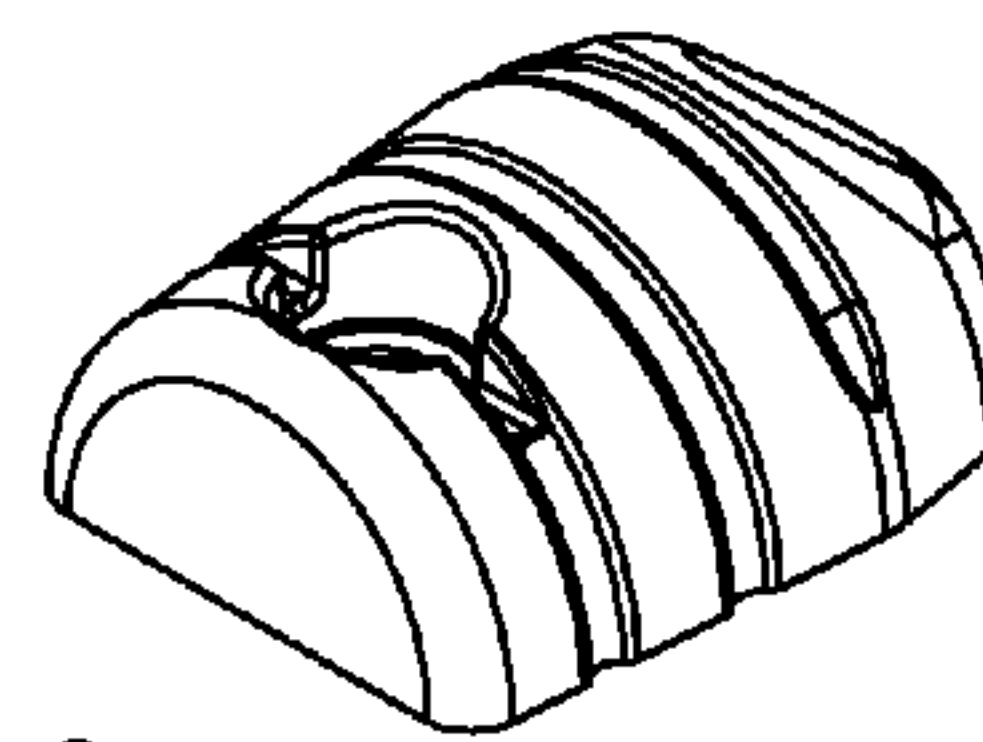


FIG. 8

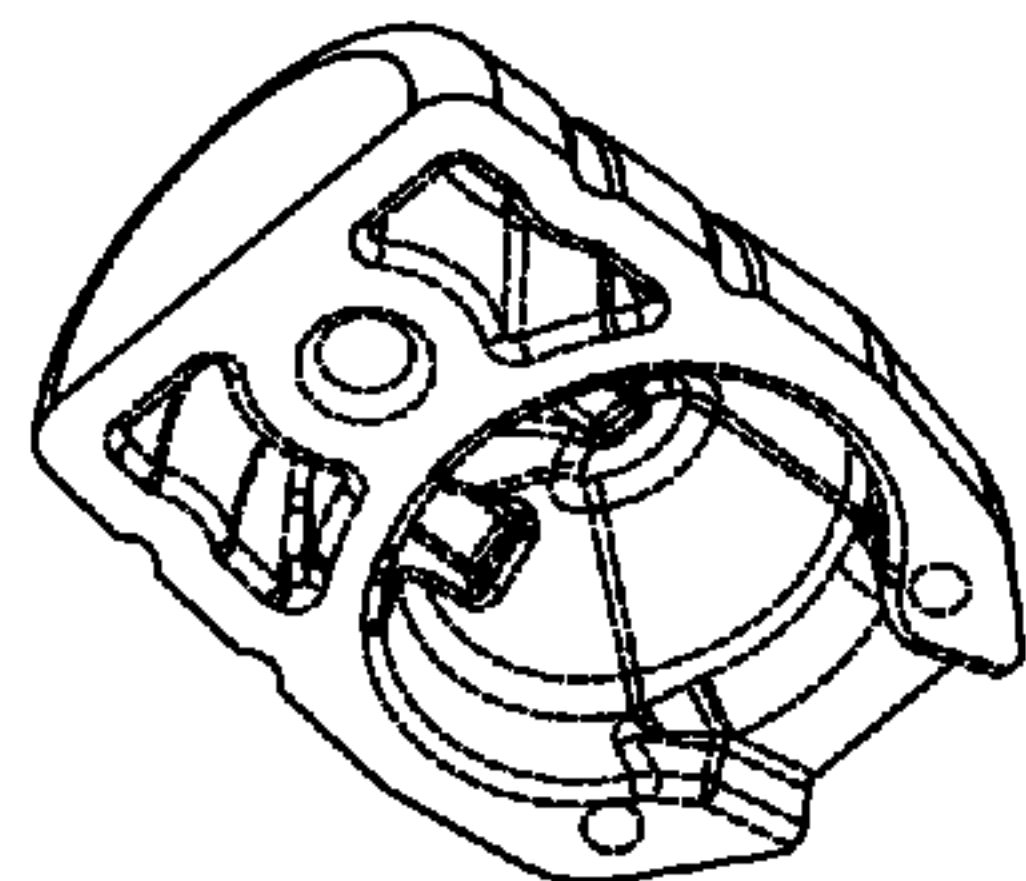


FIG. 9

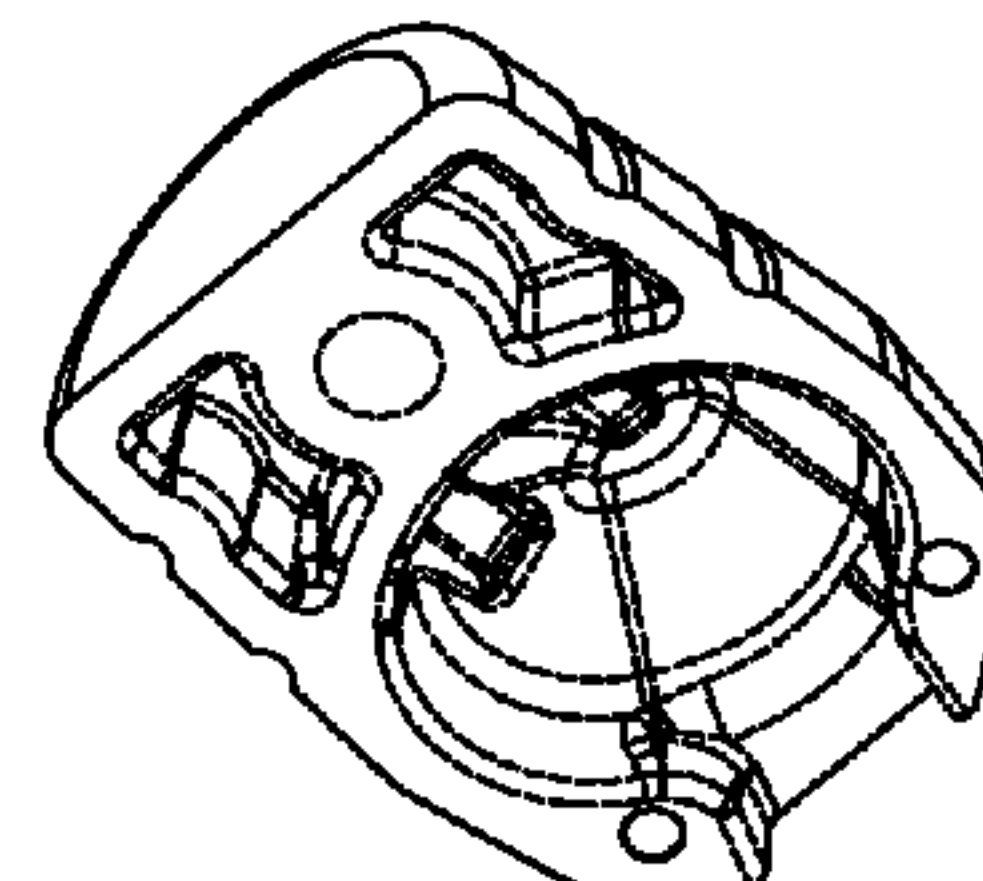


FIG. 10

FIG. 11

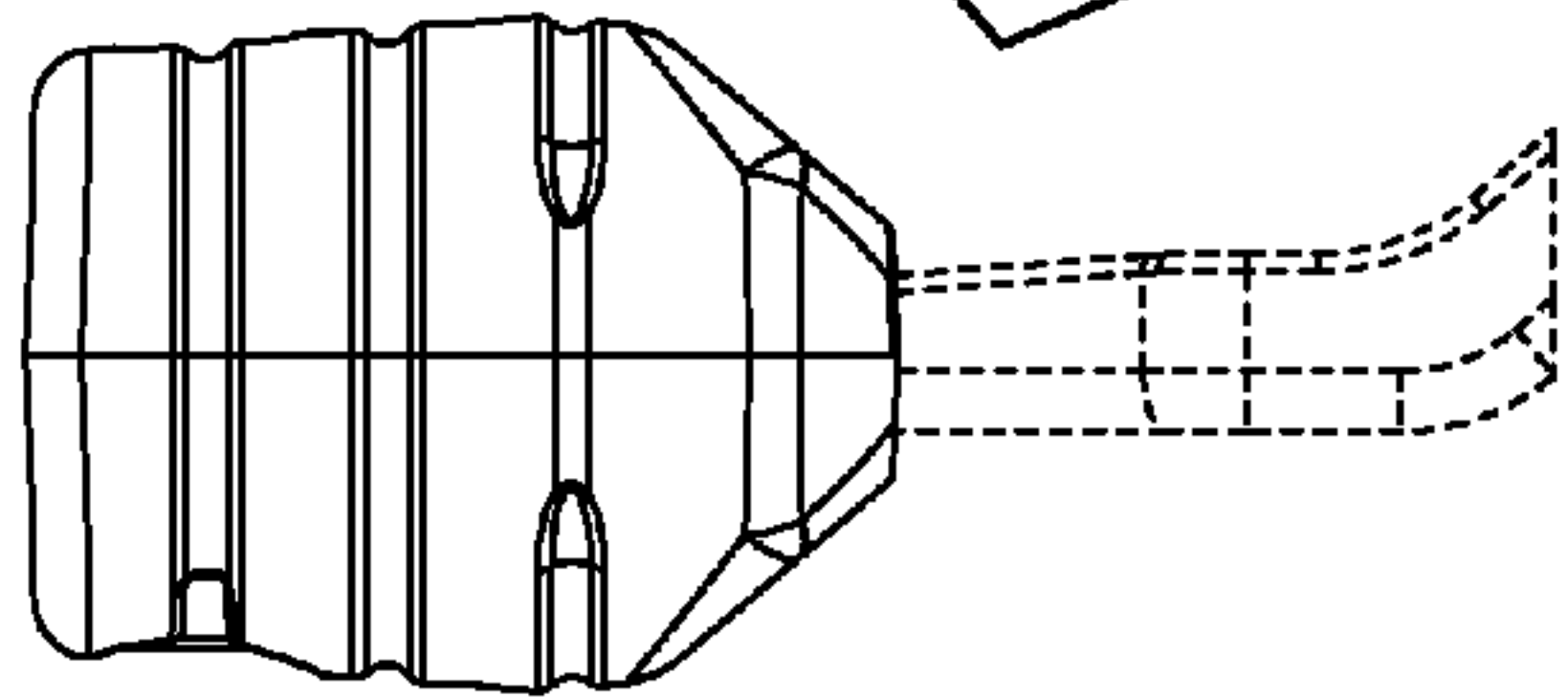
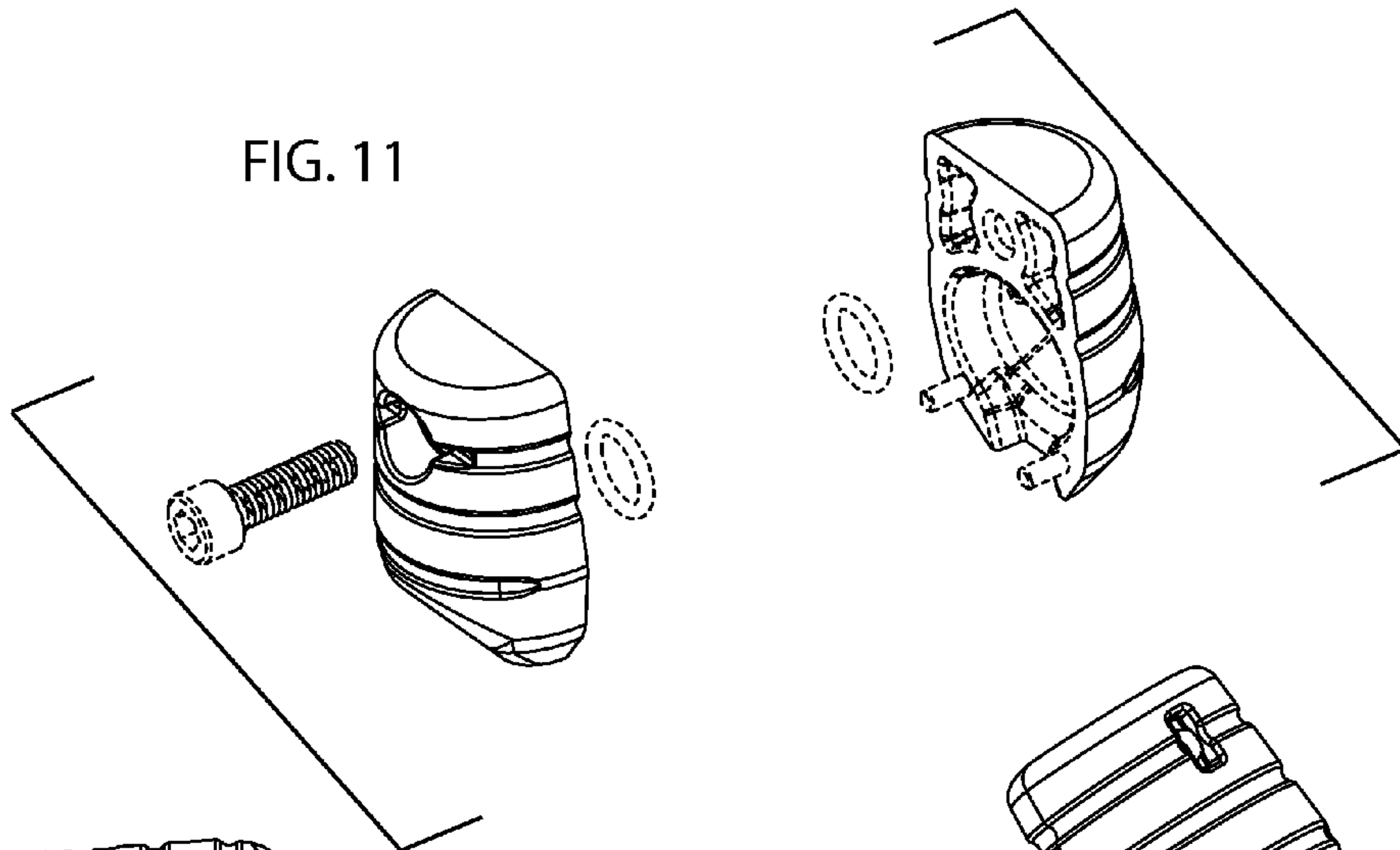


FIG. 12

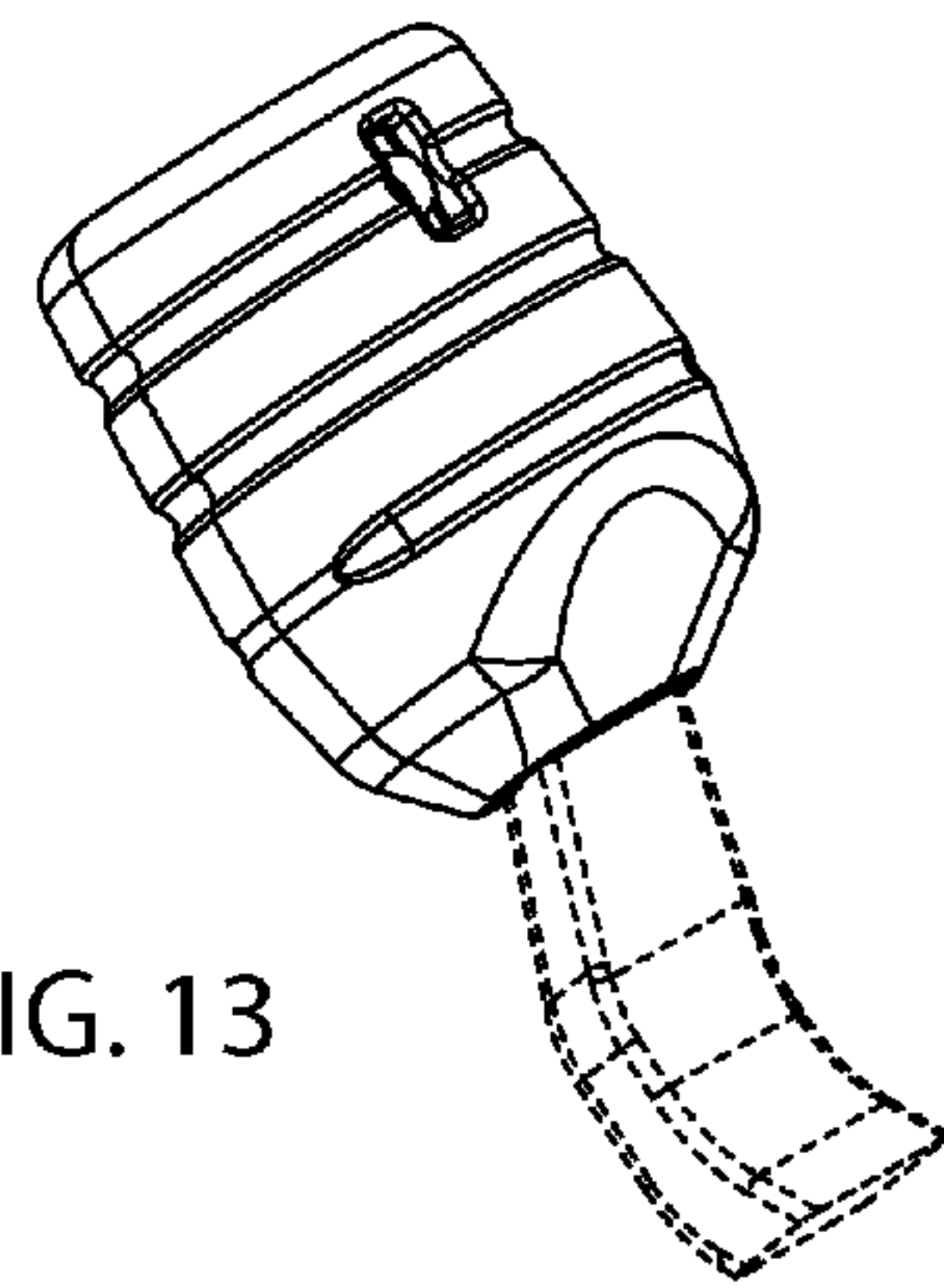


FIG. 13

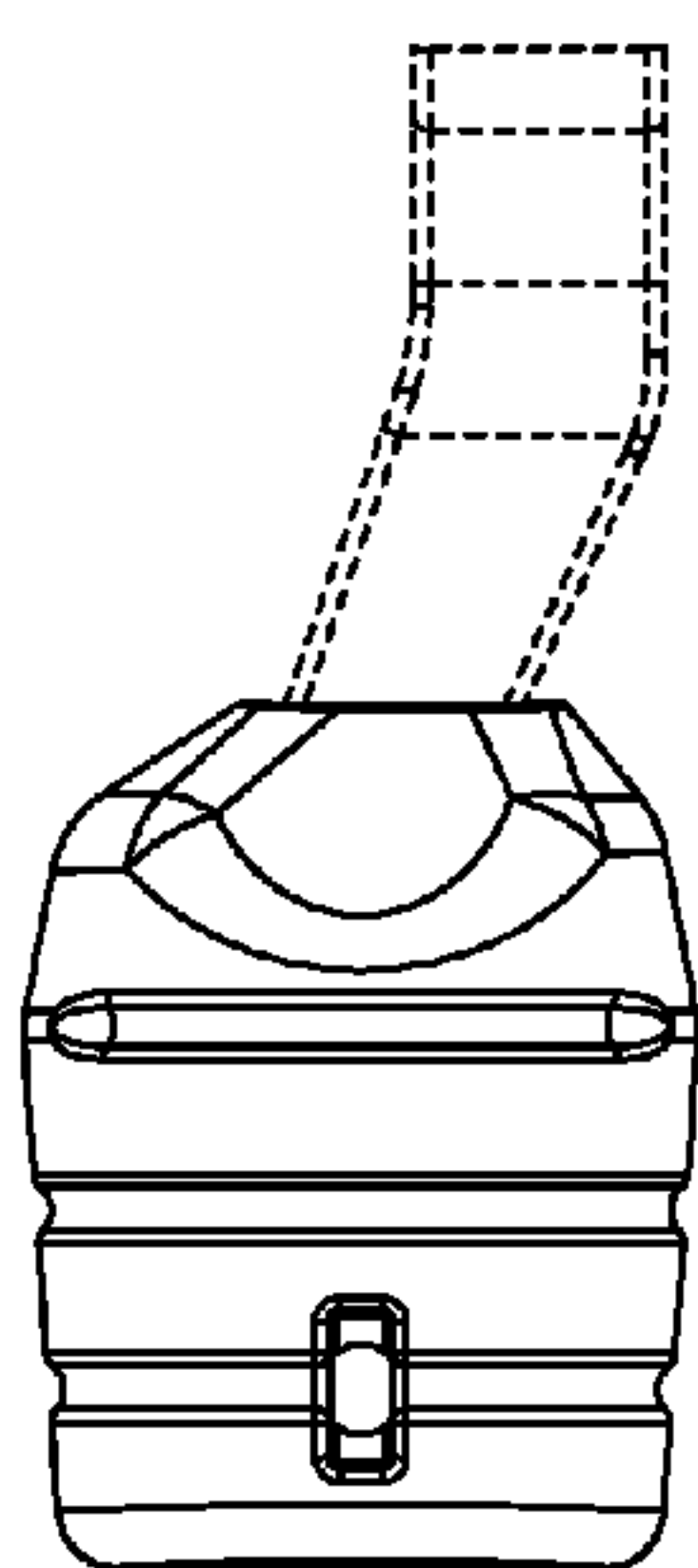


FIG. 14

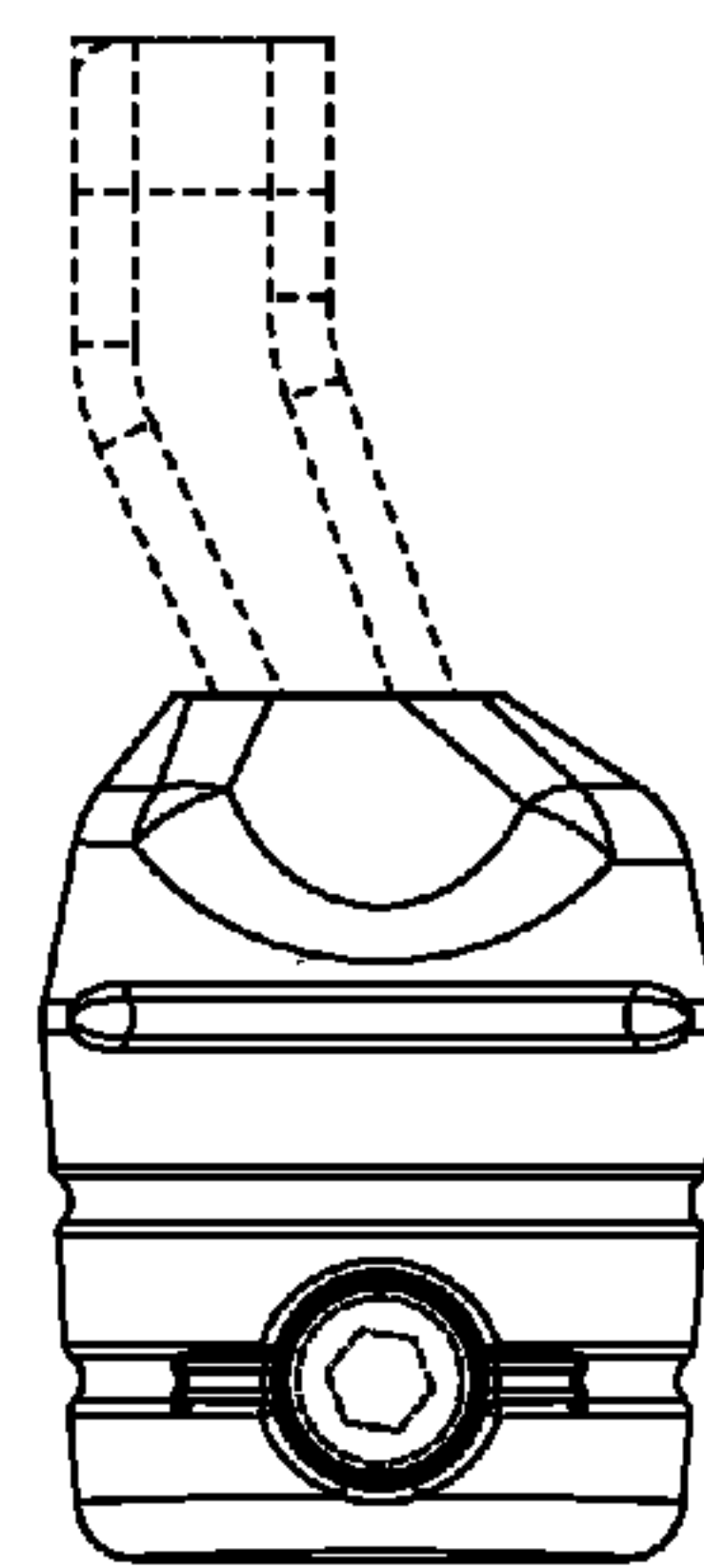


FIG. 15

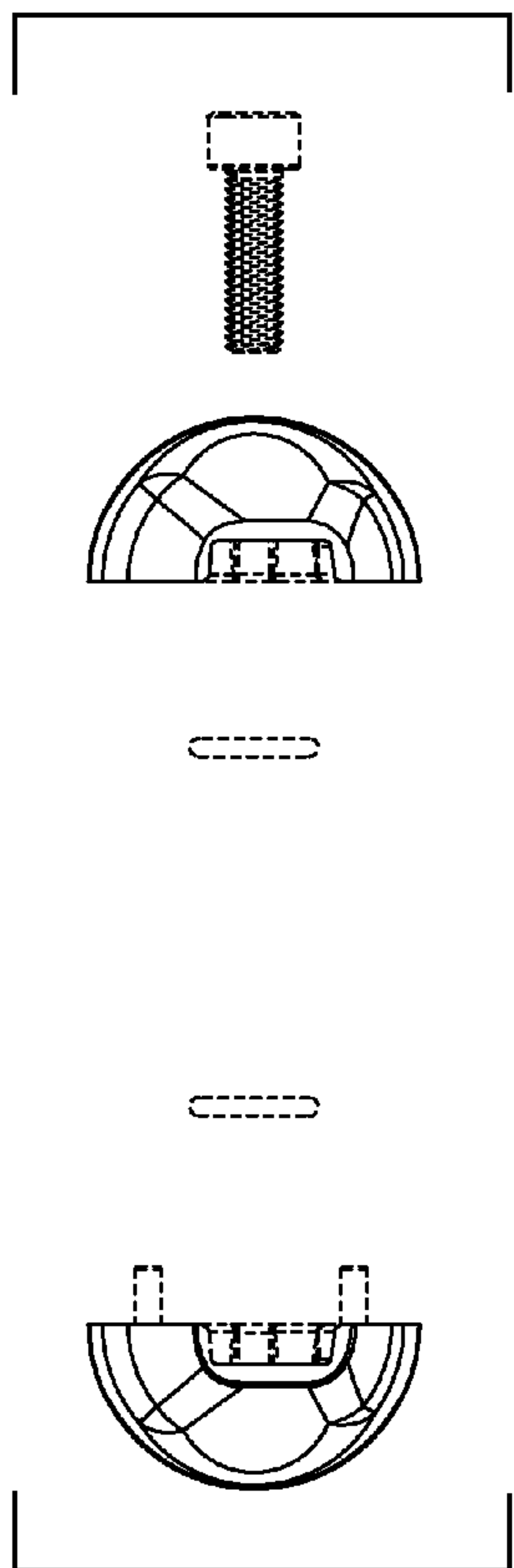


FIG. 16

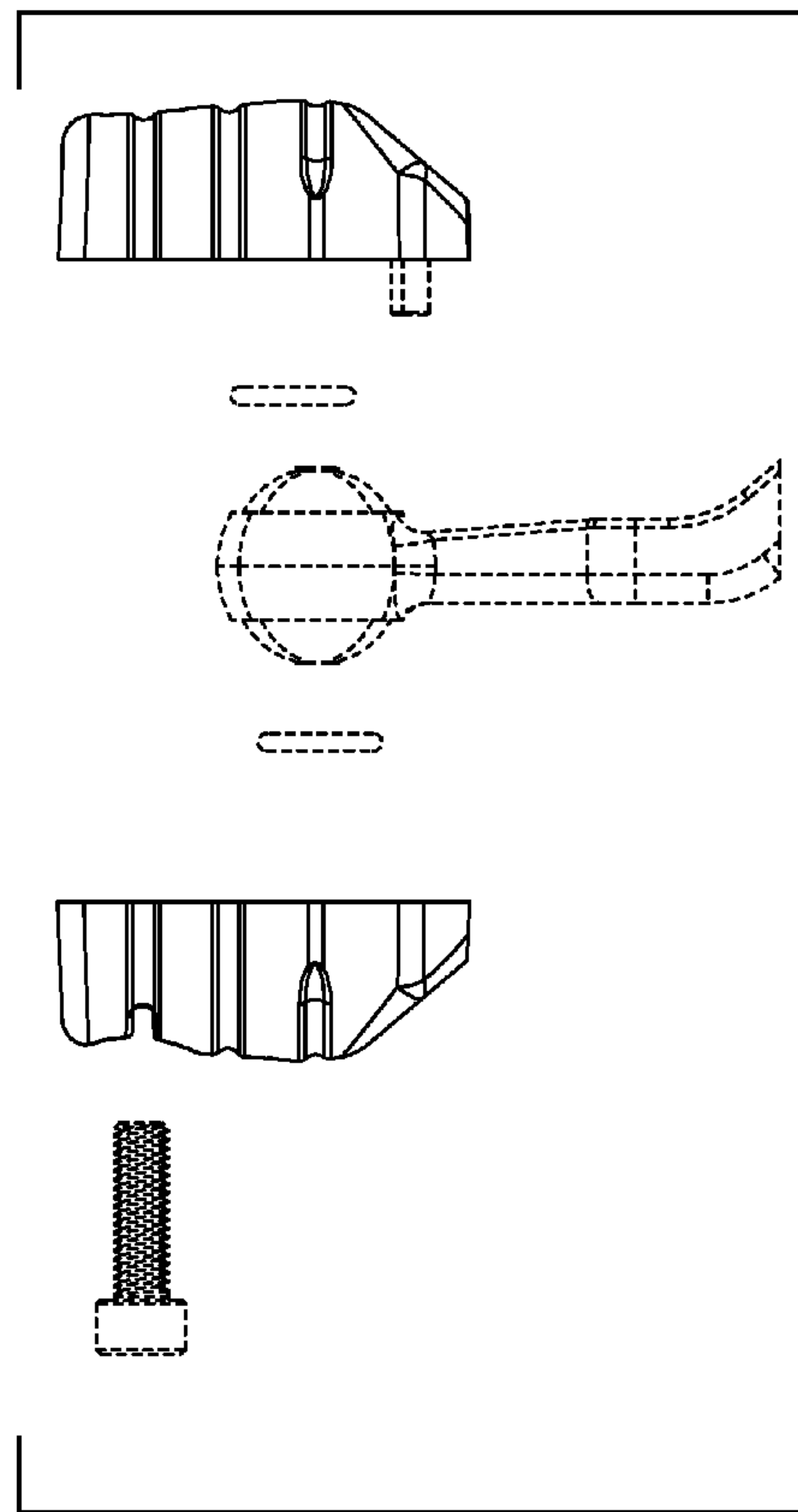


FIG. 17

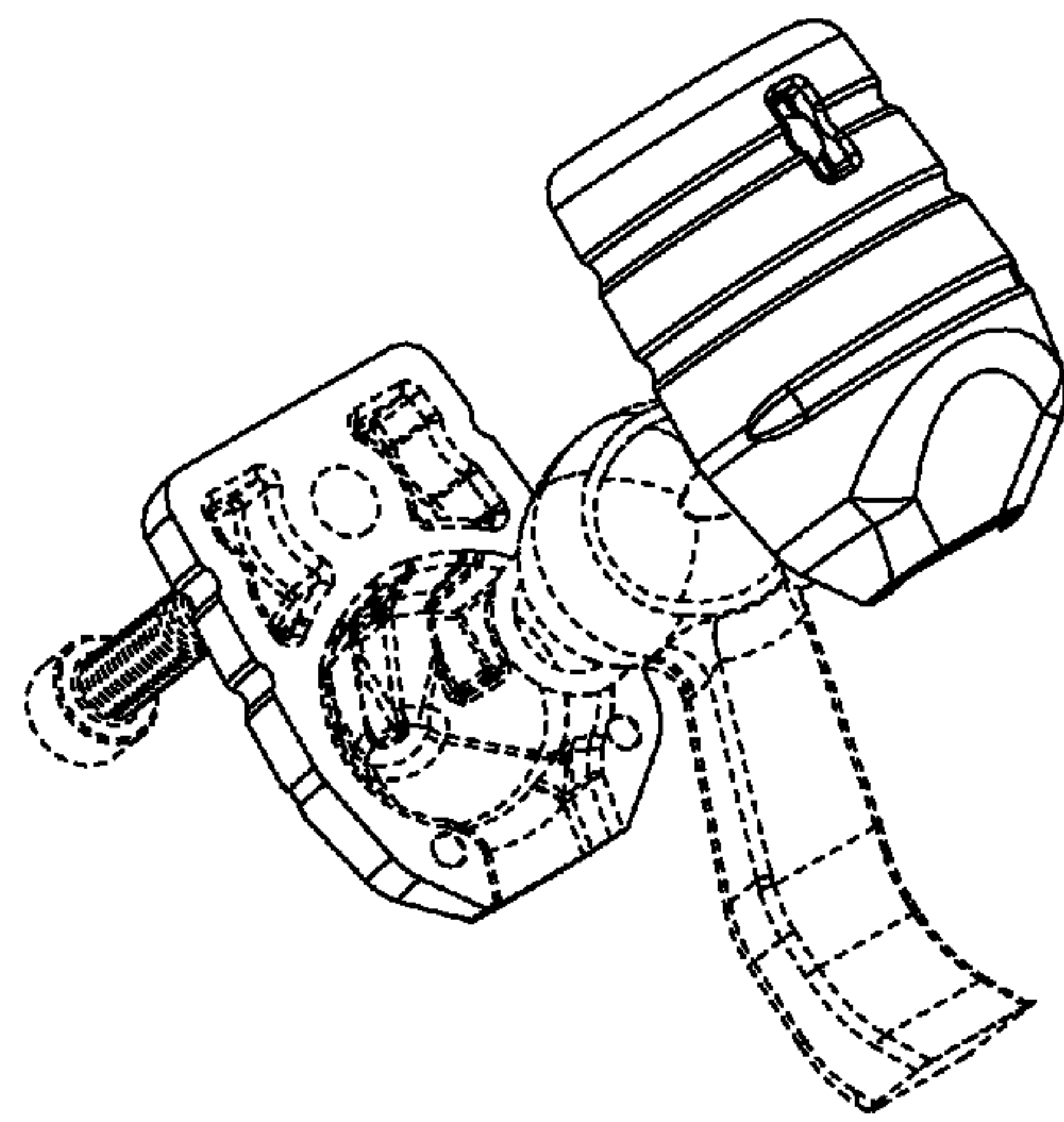


FIG. 18