



US00D642649S

(12) **United States Design Patent**  
**Oliver**

(10) **Patent No.:** **US D642,649 S**

(45) **Date of Patent:** **\*\* \*Aug. 2, 2011**

(54) **HEPTAGONAL FIREARM SUPPRESSOR**

(75) Inventor: **Russell Oliver**, Sandy, UT (US)

(73) Assignee: **OS Inc.**, Cheyenne, WY (US)

(\* ) Notice: This patent is subject to a terminal disclaimer.

(\*\* ) Term: **14 Years**

(21) Appl. No.: **29/362,730**

(22) Filed: **May 28, 2010**

(51) **LOC (9) Cl.** ..... **22-01**

(52) **U.S. Cl.** ..... **D22/108**

(58) **Field of Classification Search** ..... D22/100,  
D22/101, 103, 104, 108, 199; D21/386,  
D21/572, 573; 42/51, 71.01, 75.01, 75.02,  
42/90, 94, 134, 136, 139, 125, 72, 111; 362/110;  
33/241, 277; 313/105 R; 89/40.06, 41.19,  
89/37.04, 33.04, 191.01, 200-204; 124/67,  
124/66, 72, 74; D11/10-11, 26-28, 40-43,  
D11/75, 89-93; D28/8.1; D24/100-101;  
119/702, 707-711; 102/485; D25/106, 119;  
D8/320

See application file for complete search history.

(56) **References Cited**

**U.S. PATENT DOCUMENTS**

37,193	A *	12/1862	Alsop	42/78
1,932,986	A *	10/1933	Powell	43/18.1 R
4,964,192	A *	10/1990	Marui	16/421
D369,360	S *	4/1996	Hunter	D15/126
6,302,009	B1	10/2001	O'Quinn et al.	
D458,089	S *	6/2002	Huckaba	D7/683
D598,516	S *	8/2009	Butler	D22/108
D611,562	S *	3/2010	Sjoberg	D22/142

7,681,530	B2 *	3/2010	Perry	119/269
2009/0175404	A1 *	7/2009	Singh et al.	376/272
2009/0176034	A1 *	7/2009	Ruuttu et al.	427/566
2010/0216568	A1 *	8/2010	Chol	473/296
2010/0275738	A1 *	11/2010	Taylor, Jr.	81/121.1

**OTHER PUBLICATIONS**

“Lever Action Octagon—Frontier Model,” Henry Repeating Arms Rifles, [www.henryrepeating.com/h001t\\_leveroctagon.cfm](http://www.henryrepeating.com/h001t_leveroctagon.cfm), accessed Jul. 14, 2010.

\* cited by examiner

*Primary Examiner* — T. Chase Nelson

*Assistant Examiner* — Michael Pratt

(74) *Attorney, Agent, or Firm* — Thorpe North & Western LLP

(57) **CLAIM**

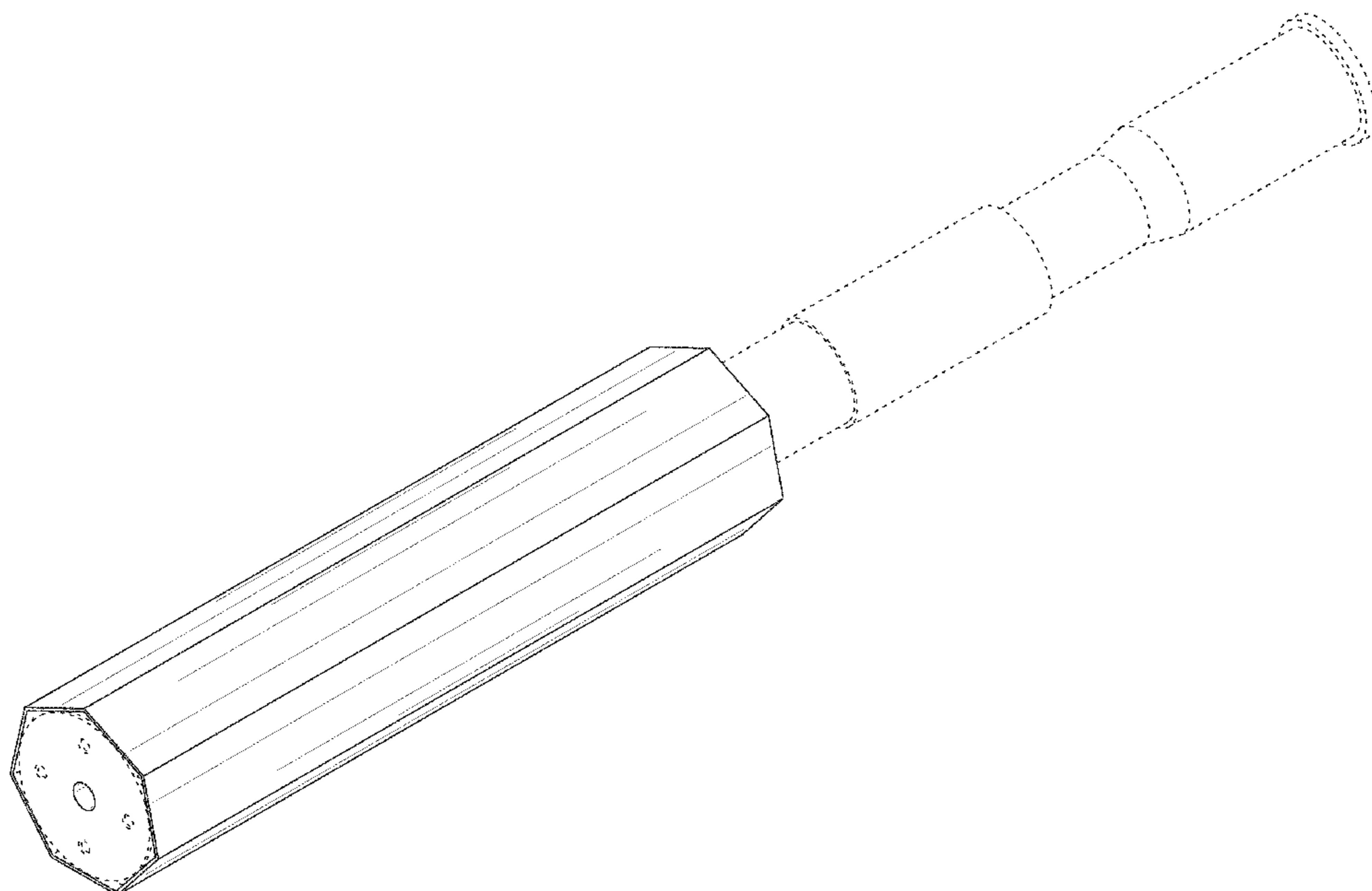
The ornamental design for a heptagonal firearm suppressor, as shown and described herein.

**DESCRIPTION**

FIG. 1 is a perspective view of the heptagonal firearm suppressor in accordance with my invention; FIG. 2 is an end view thereof, taken from the left side of FIG. 1; FIG. 3 is an end view thereof, taken from the right side of FIG. 1; FIG. 4 is a first side view thereof; FIG. 5 is a second side view thereof; FIG. 6 is a top view thereof; and, FIG. 7 is a bottom view thereof.

Broken lines shown in FIGS. 1-7 are for illustrative purposes only and form no part of the claimed design. The surface indicia of parallel lines also form no part of the claimed design and are merely surface shading.

**1 Claim, 4 Drawing Sheets**



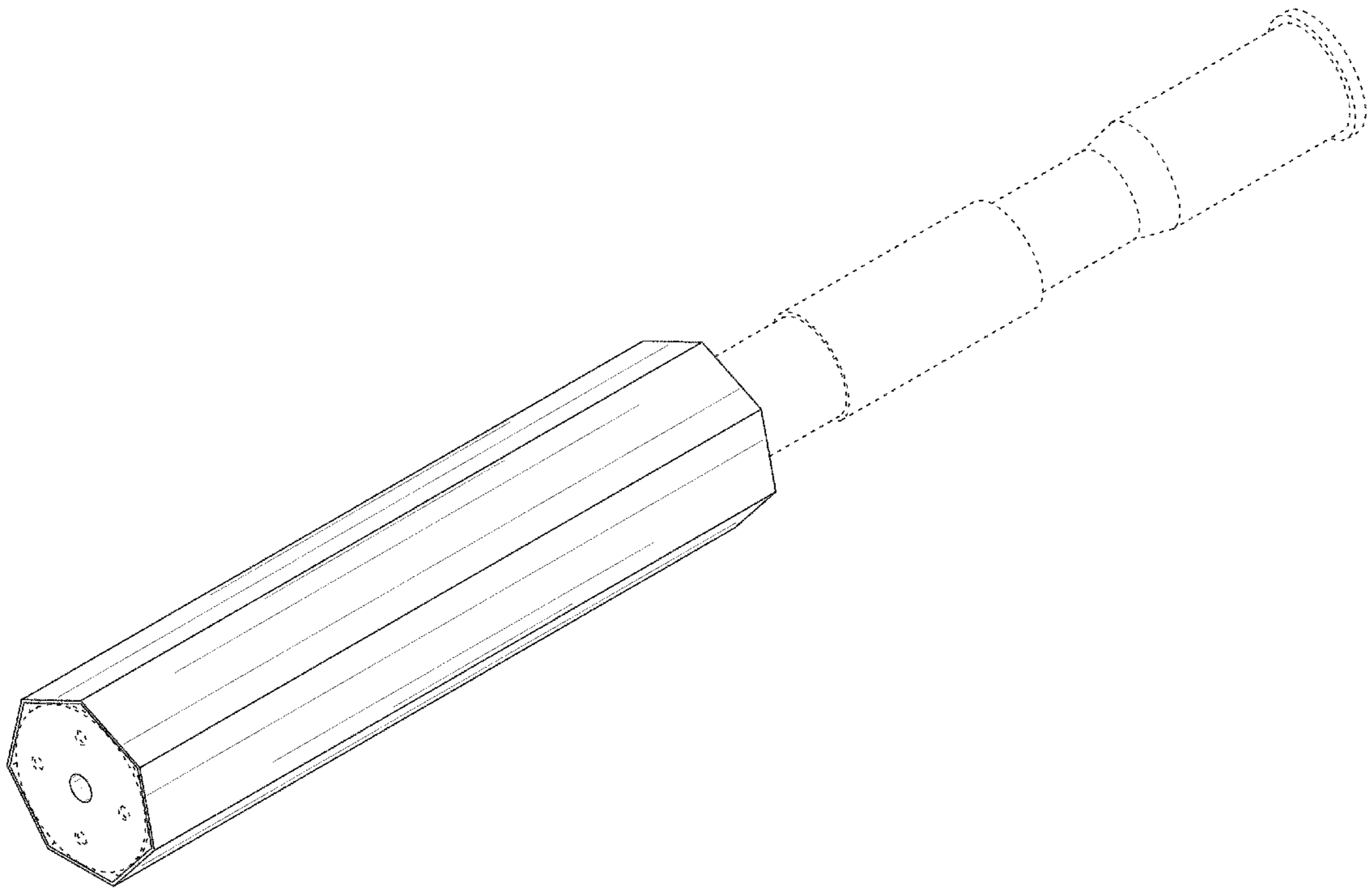


FIG. 1

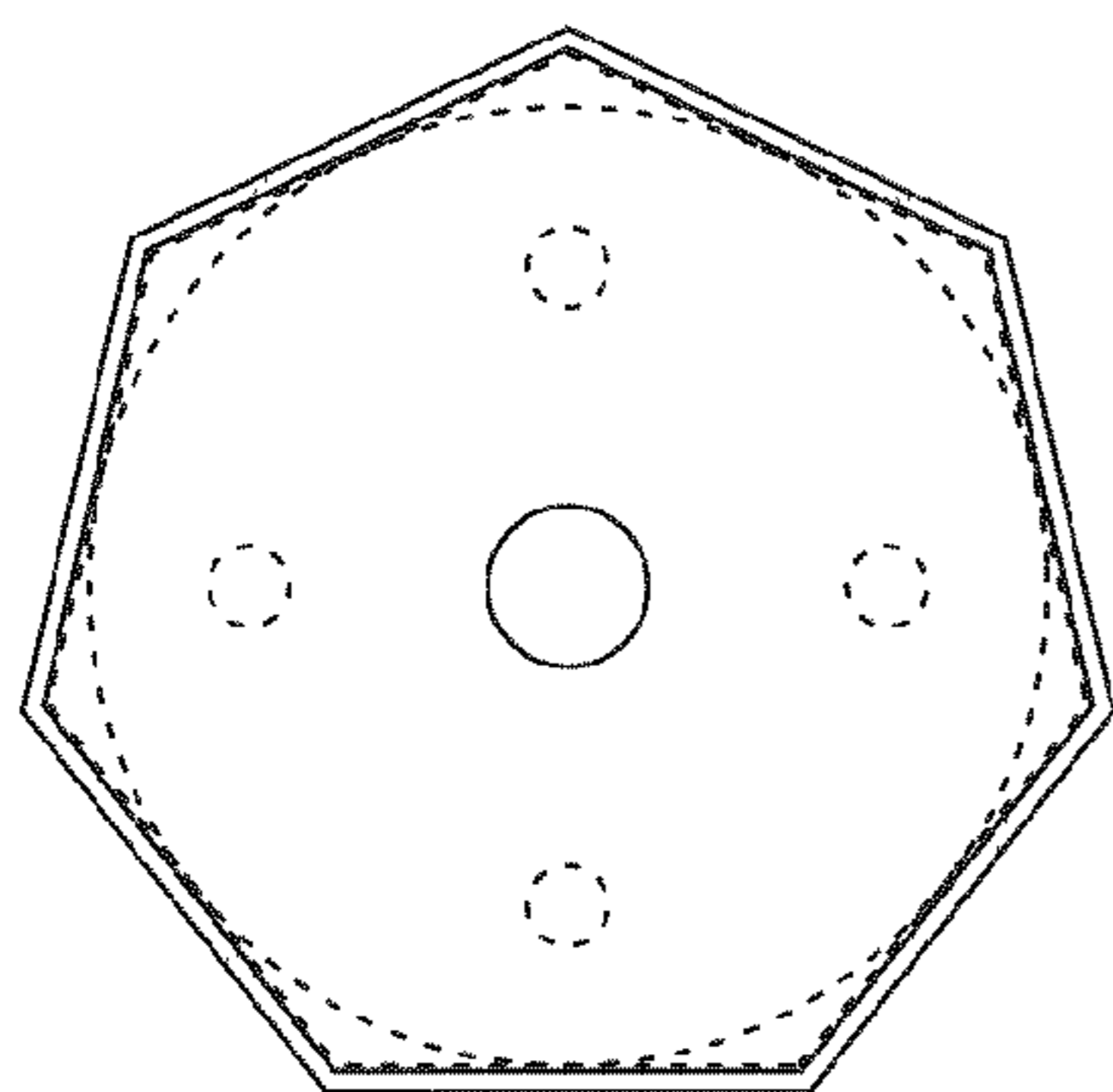


FIG. 2

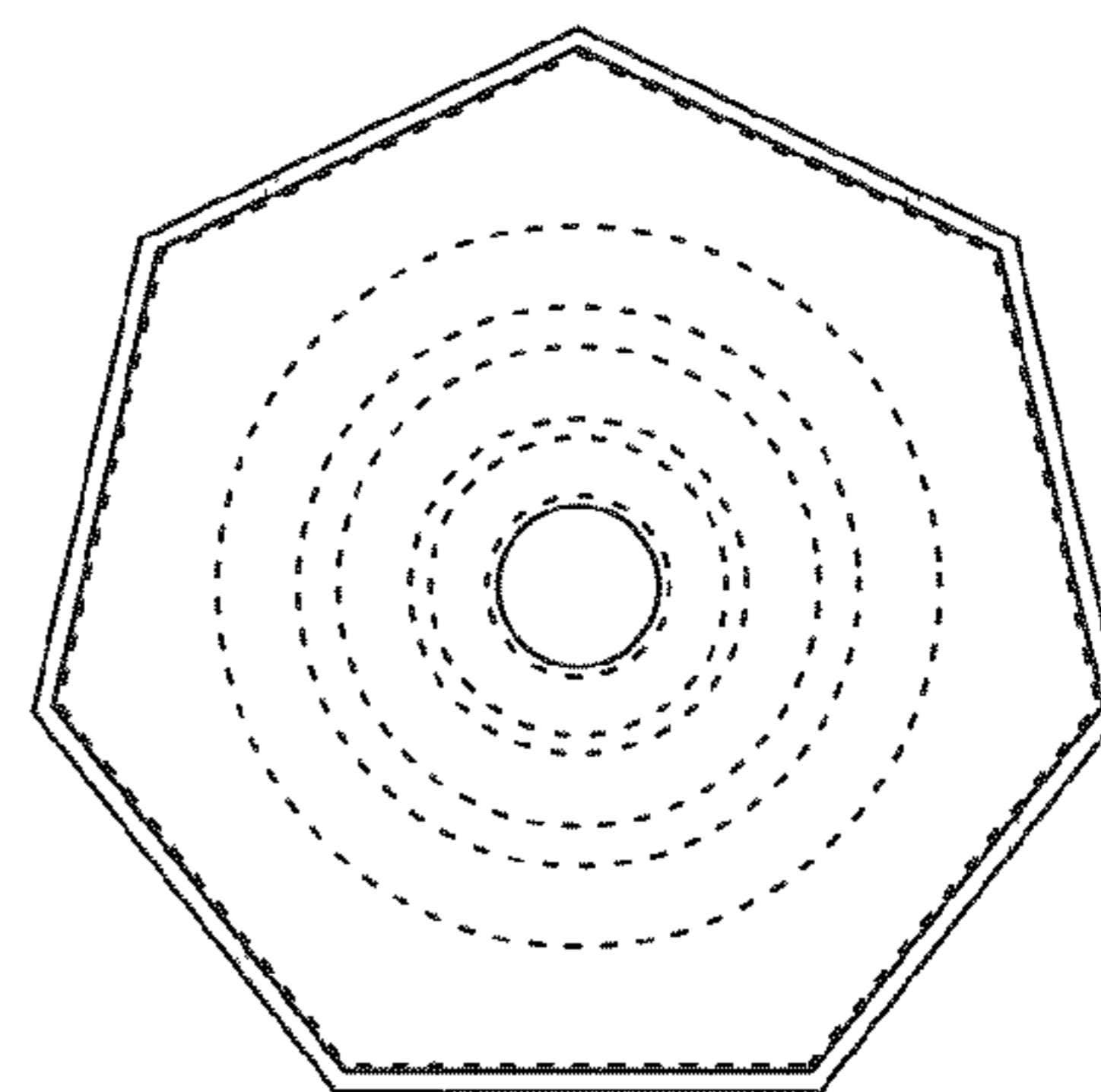


FIG. 3

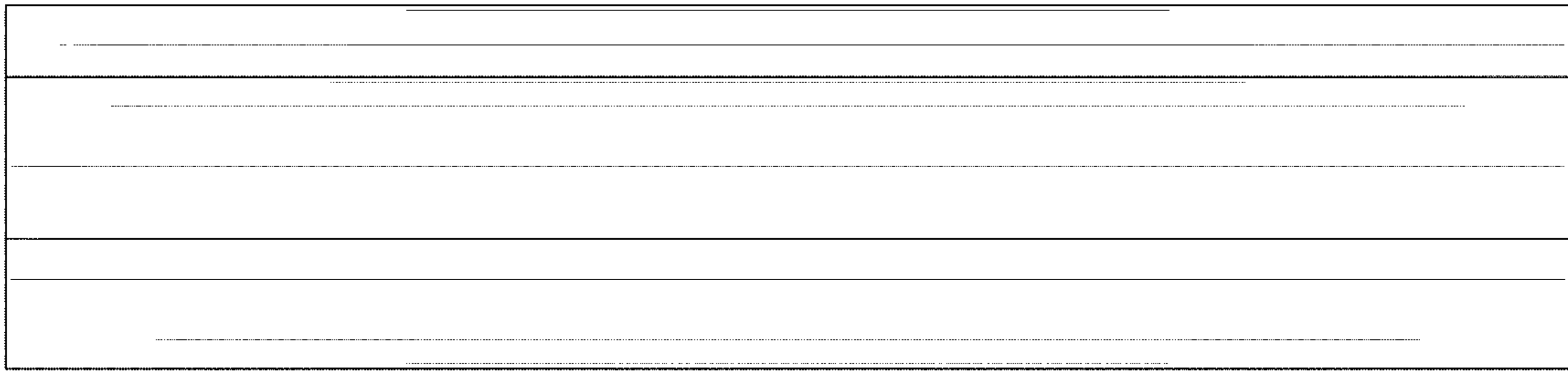


FIG. 4

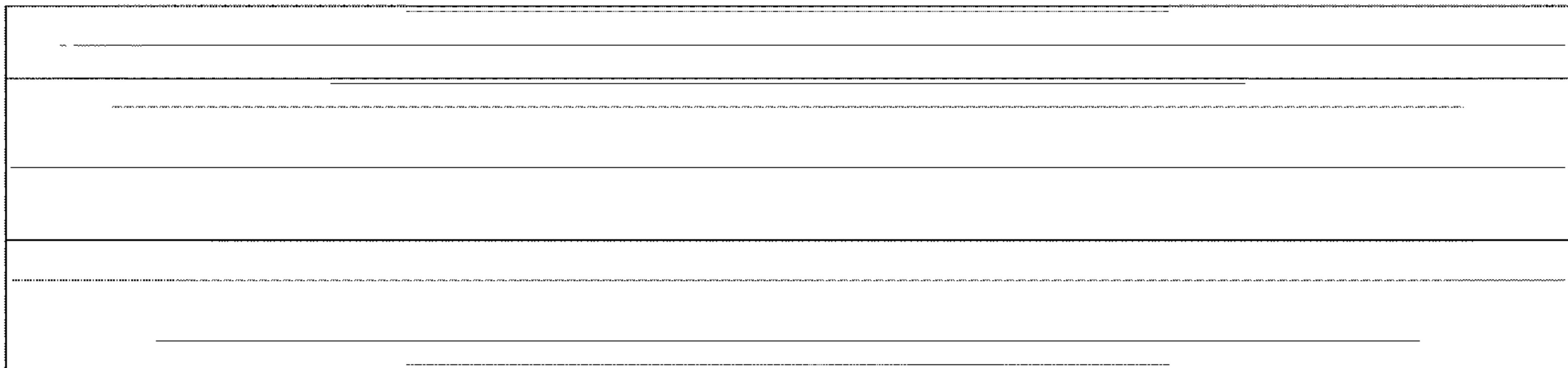


FIG. 5

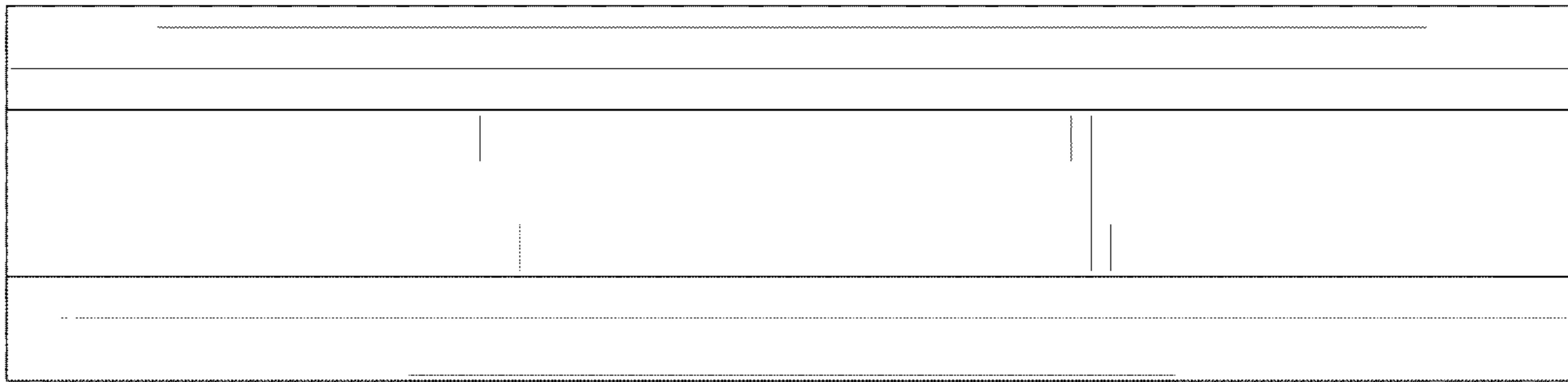


FIG. 7

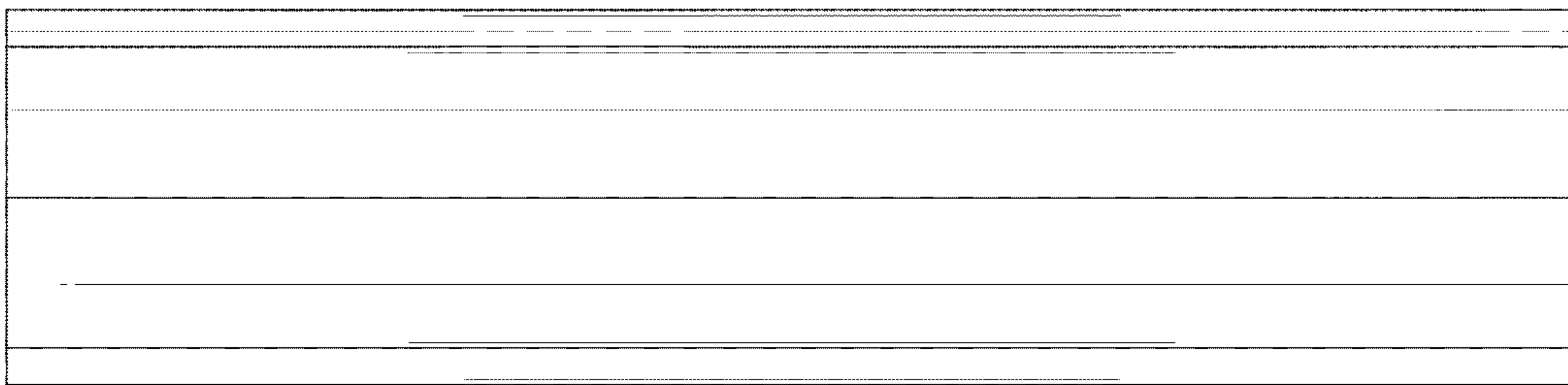


FIG. 6