

US00D642647S

(12) **United States Design Patent**  
**Fitzpatrick et al.**

(10) **Patent No.:** **US D642,647 S**

(45) **Date of Patent:** **\*\* \*Aug. 2, 2011**

(54) **MAGAZINE FLOOR PLATE**  
(75) Inventors: **Richard M. Fitzpatrick**, Longmont, CO (US); **Michael Mayberry**, Denver, CO (US)

(73) Assignee: **Magpal Industries Corp.**, Boulder, CO (US)

(\*) Notice: This patent is subject to a terminal disclaimer.

(\*\*) Term: **14 Years**

(21) Appl. No.: **29/277,104**

(22) Filed: **Feb. 13, 2007**

**Related U.S. Application Data**

(63) Continuation-in-part of application No. 10/245,954, filed on Sep. 17, 2002, now Pat. No. 7,174,666.

(51) **LOC (9) Cl.** ..... **22-01**

(52) **U.S. Cl.** ..... **D22/108**

(58) **Field of Classification Search** ..... D22/100, D22/108, 199; 42/6, 7, 50, 18, 22, 49.1, 42/49.02

See application file for complete search history.

(56) **References Cited**

**U.S. PATENT DOCUMENTS**

D33,384 S 10/1900 Thorn  
1,245,499 A 11/1917 Orme  
1,797,951 A 3/1931 Giados  
2,205,967 A 6/1940 Wise

2,825,991 A 3/1958 Stadelmann  
3,191,331 A 6/1965 Ardolino  
4,008,968 A 2/1977 Hobbs  
4,139,958 A \* 2/1979 Foote ..... 42/49.02  
4,442,962 A 4/1984 Musgrave  
4,754,689 A 7/1988 Grehl  
4,831,761 A 5/1989 Kulakow  
D344,780 S \* 3/1994 Jenkins ..... D22/108  
5,384,980 A 1/1995 Johnson et al.  
5,566,487 A 10/1996 Vaid et al.  
5,906,065 A 5/1999 Pearce  
6,212,815 B1 4/2001 Fitzpatrick  
6,481,136 B1 11/2002 Fitzpatrick  
D529,983 S \* 10/2006 Yu ..... D22/108  
7,117,622 B2 \* 10/2006 Freed et al. .... 42/7

**FOREIGN PATENT DOCUMENTS**

GB 3220 0/1907  
GB 1434300 5/1976

\* cited by examiner

*Primary Examiner* — Ian Simmons

*Assistant Examiner* — Melanie Levy

(74) *Attorney, Agent, or Firm* — Geoffrey E. Dobbin

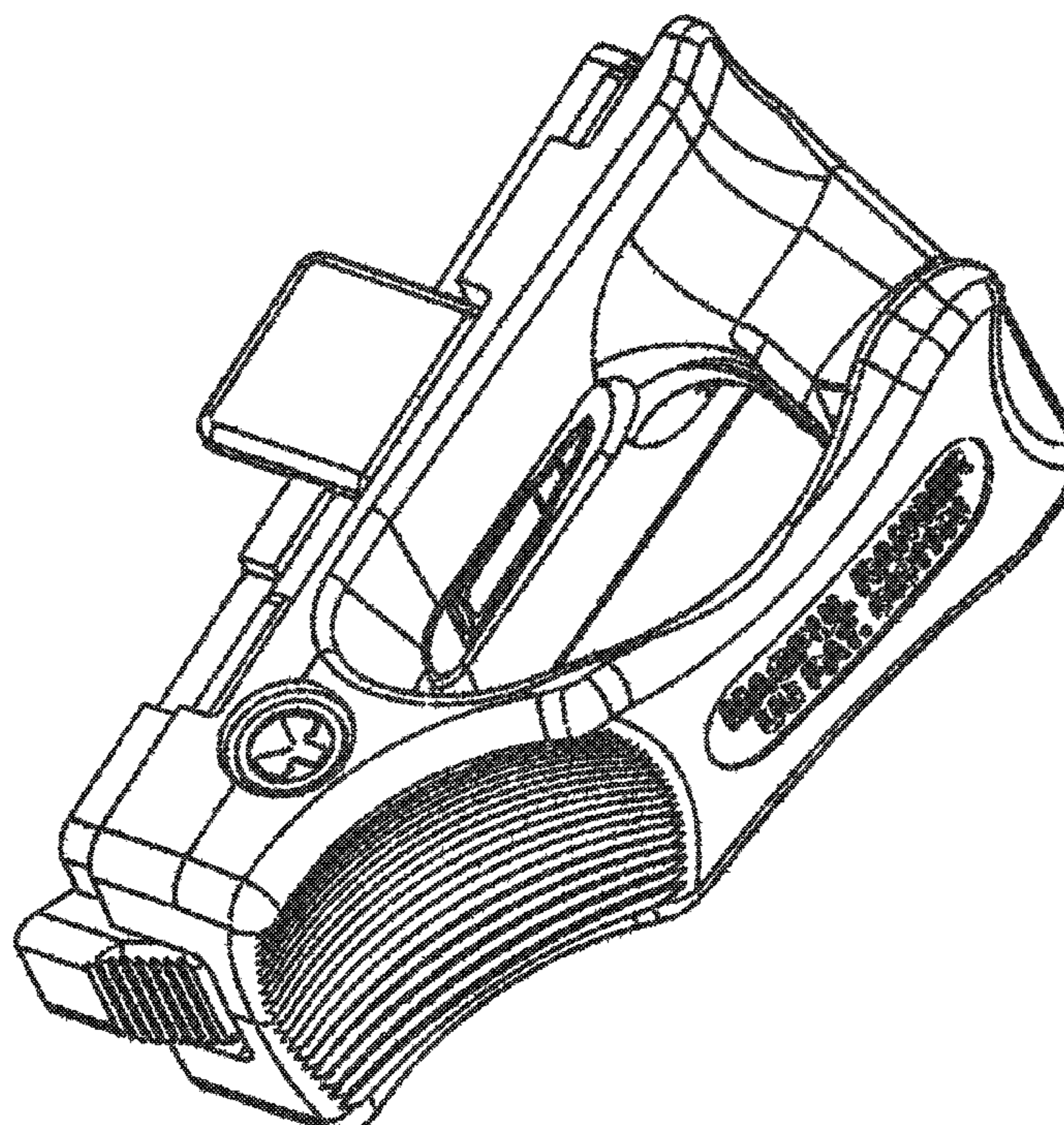
(57) **CLAIM**

The ornamental design for a magazine floor plate, as shown and described.

**DESCRIPTION**

FIG. 1 is a perspective view of the magazine floor plate. FIG. 2 is another perspective view of the magazine floor plate. FIG. 3 is a top plan view of the magazine floor plate. FIG. 4 is a front plan view of the magazine floor plate; and, FIG. 5 is a rear plan view of the magazine floor plate.

**1 Claim, 4 Drawing Sheets**



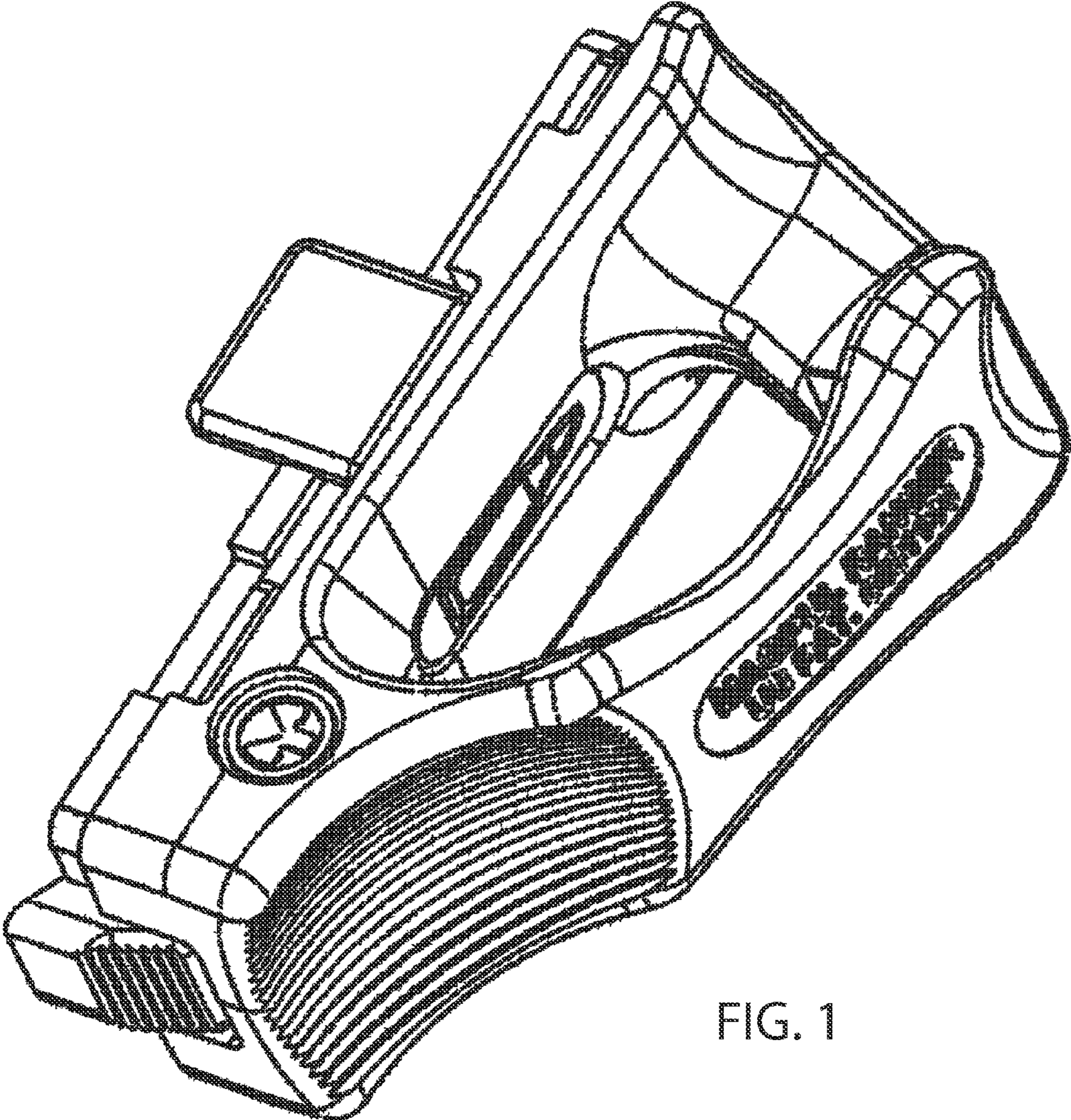


FIG. 1

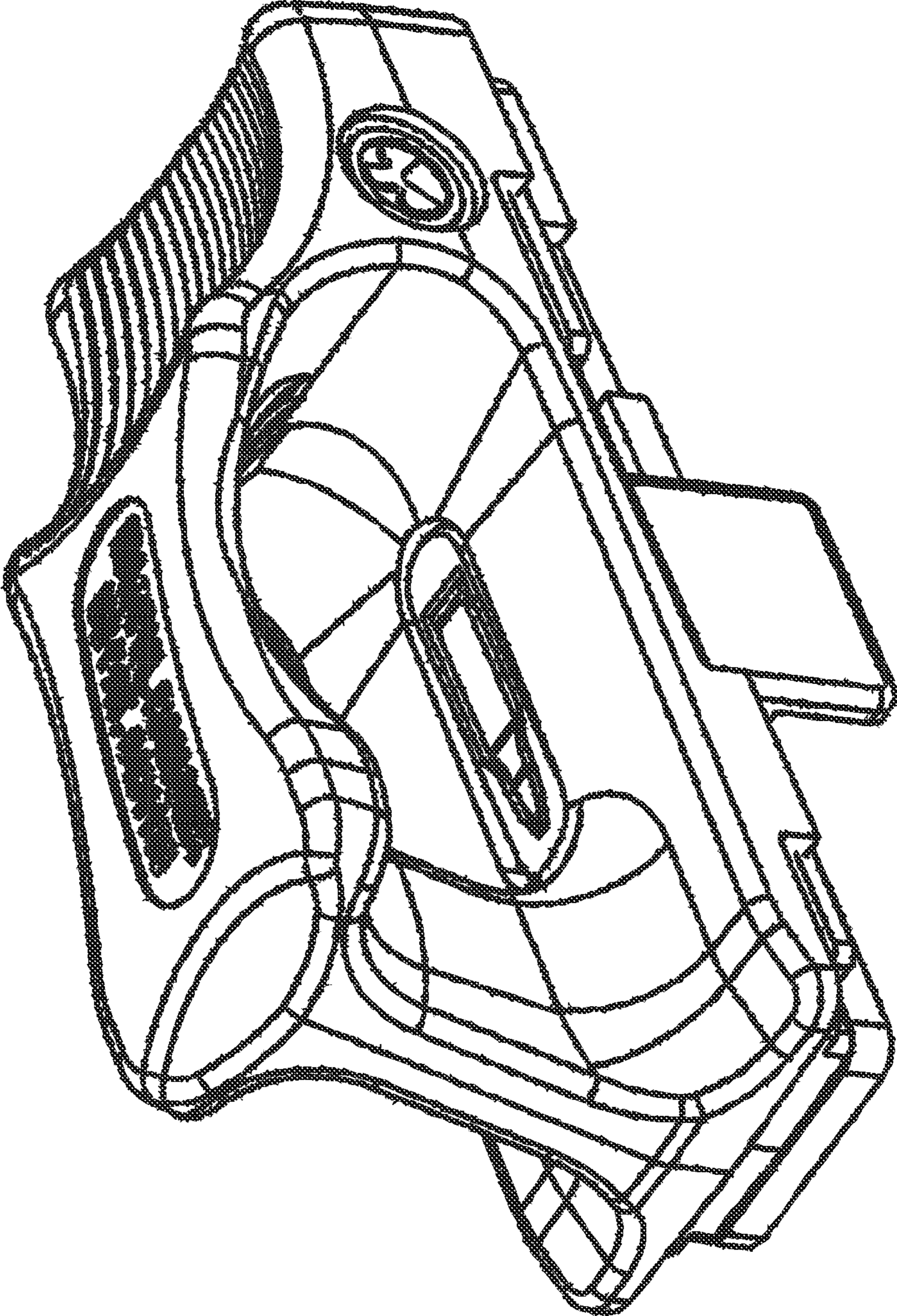


FIG. 2

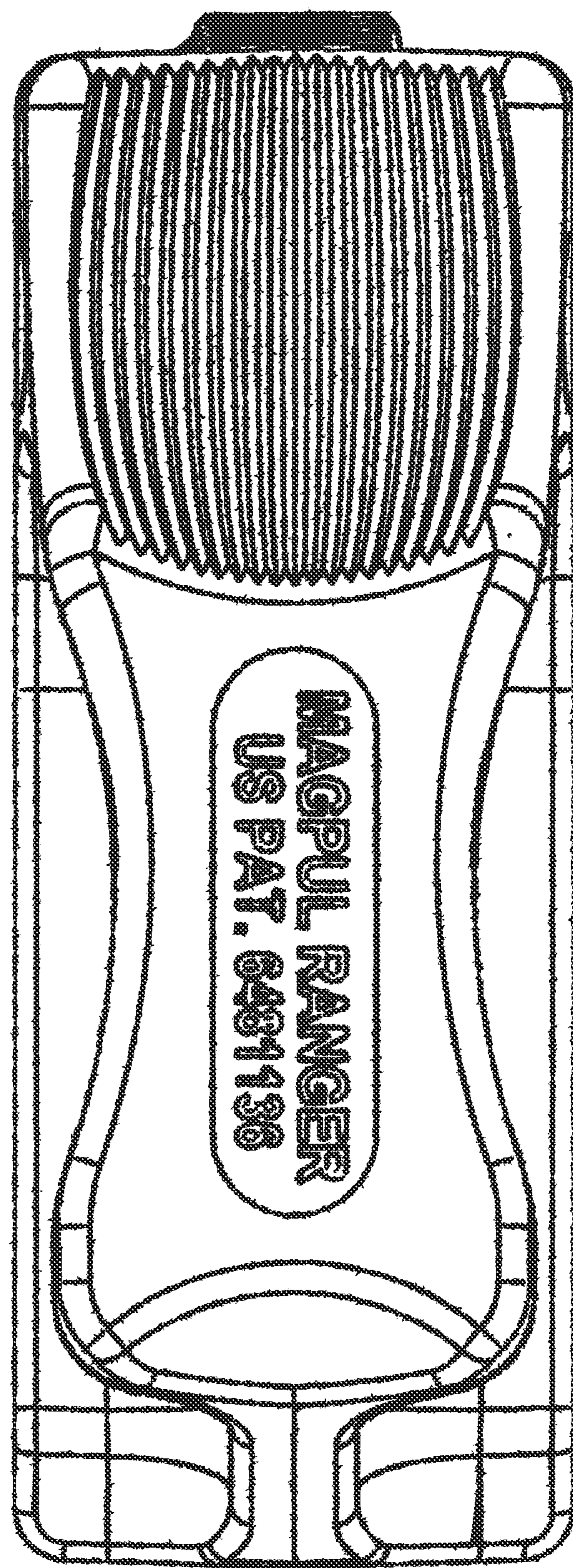


FIG. 3

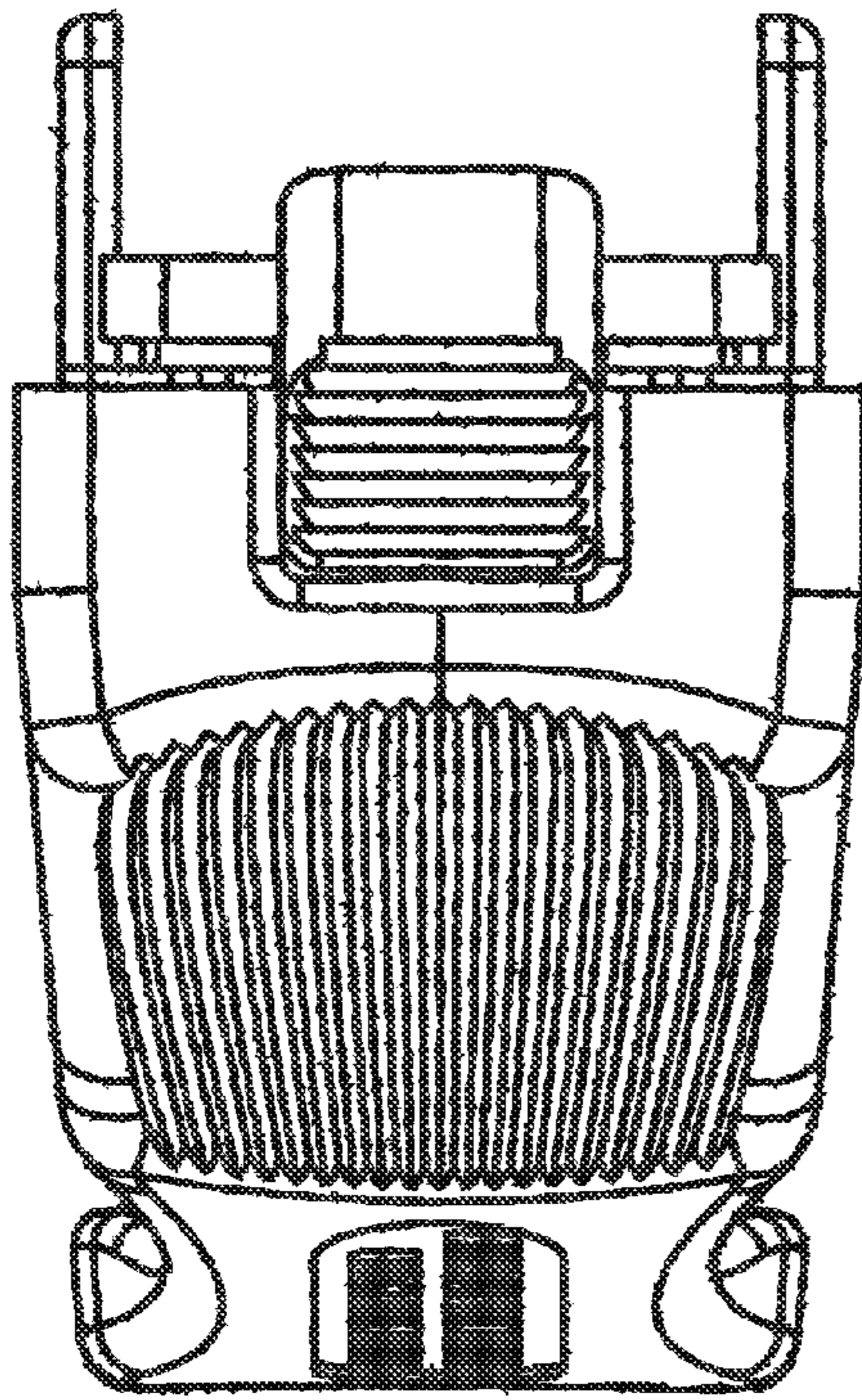


FIG. 4

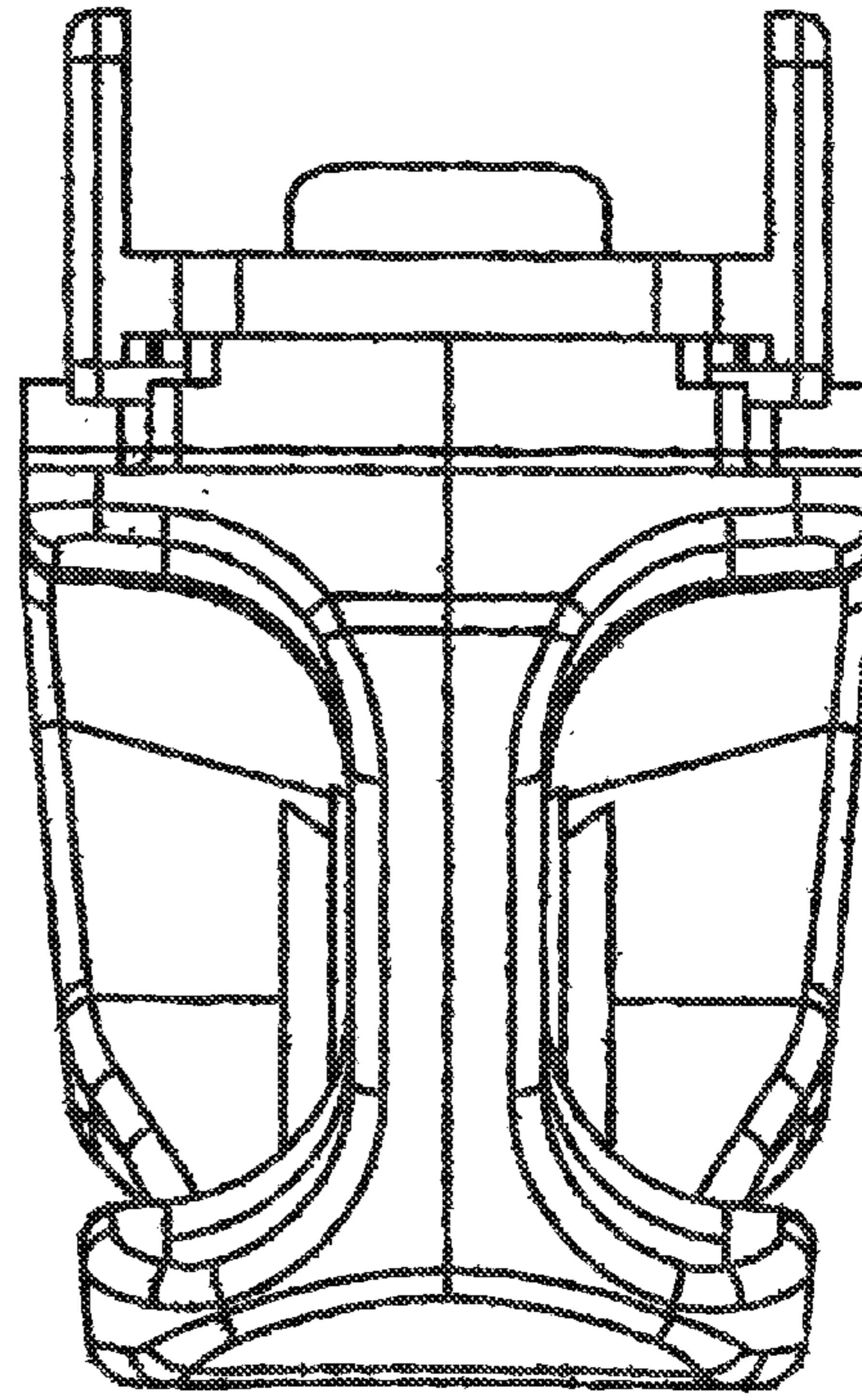


FIG. 5