



US00D642644S

(12) **United States Design Patent**
Cutler

(10) **Patent No.:** **US D642,644 S**

(45) **Date of Patent:** **** Aug. 2, 2011**

(54) **SKATEBOARD ACCESSORY**

(76) **Inventor:** **Wade E. Cutler**, Chula Vista, CA (US)

(**) **Term:** **14 Years**

(21) **Appl. No.:** **29/365,313**

(22) **Filed:** **Jul. 8, 2010**

(51) **LOC (9) Cl.** **21-02**

(52) **U.S. Cl.** **D21/771**

(58) **Field of Classification Search** D21/662,
D21/684, 687, 692, 765, 771; D2/610, 894,
D2/946, 974, 978; D11/78.1; D12/133;
D28/41; D30/153; 482/91, 92, 121, 122,
482/124, 125, 193, 194, 197; 264/149, 150,
264/165, 564; 135/65; 224/222; 36/58.5,
36/11.5

See application file for complete search history.

(56) **References Cited**

U.S. PATENT DOCUMENTS

D235,788	S *	7/1975	Eberhardt	D21/662
3,923,050	A *	12/1975	Zeide et al.	602/4
D274,828	S *	7/1984	Evans	D21/687
4,854,056	A *	8/1989	Levin	36/58.5
4,929,208	A *	5/1990	Corica	441/75
D311,232	S *	10/1990	Drennan et al.	D21/692
4,990,113	A *	2/1991	Morrison	441/75
5,221,111	A *	6/1993	Younger	280/809
5,614,300	A *	3/1997	Cicali et al.	482/122
5,945,060	A *	8/1999	Williams	264/564
D417,318	S *	11/1999	Lyons	D30/153
D428,823	S *	8/2000	Davi	D11/78.1
D437,623	S *	2/2001	Ormsby	D21/662
6,199,881	B1 *	3/2001	Wood et al.	280/87.042
D445,856	S *	7/2001	McCraw	D21/684
D447,438	S *	9/2001	DiLiberio	D11/78.1
D459,772	S *	7/2002	Meldeau	D21/662

6,447,037	B1 *	9/2002	Crouch	294/149
D476,265	S *	6/2003	Lee	D2/894
6,935,645	B1 *	8/2005	Fuhrmeister	280/87.042
7,007,705	B1 *	3/2006	Thrower	135/65
D525,323	S *	7/2006	Dwars	D21/662
D530,651	S *	10/2006	Shaffer	D12/133
7,118,117	B2 *	10/2006	Terry	280/87.042
7,172,522	B1 *	2/2007	Harvey	473/450
D566,797	S *	4/2008	Yewdall	D21/662
D609,758	S *	2/2010	Baldwin	D21/662
7,662,073	B1 *	2/2010	Baldwin	482/92
D612,588	S *	3/2010	Feller et al.	D2/946
D616,509	S *	5/2010	Perez et al.	D21/692
D616,951	S *	6/2010	Imamura	D21/692
D631,924	S *	2/2011	Baldwin	D21/662
2003/0148861	A1 *	8/2003	McBride	482/92
2004/0067827	A1 *	4/2004	Tustin	482/121
2005/0085350	A1 *	4/2005	Shen	482/91
2005/0130812	A1 *	6/2005	DiOrio et al.	482/91

* cited by examiner

Primary Examiner — Cynthia M Chin

(74) *Attorney, Agent, or Firm* — Mastermind IP Law P.C.

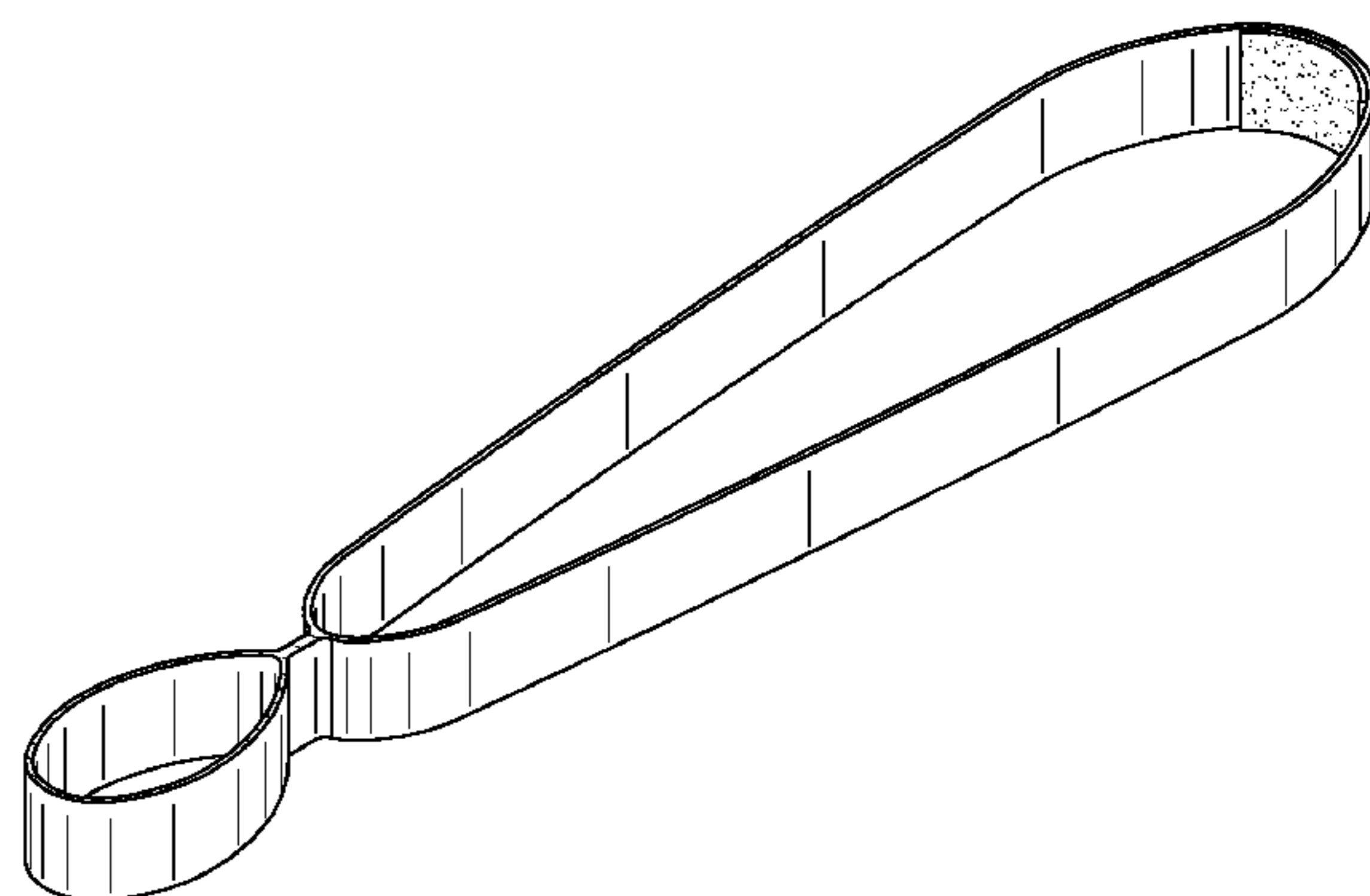
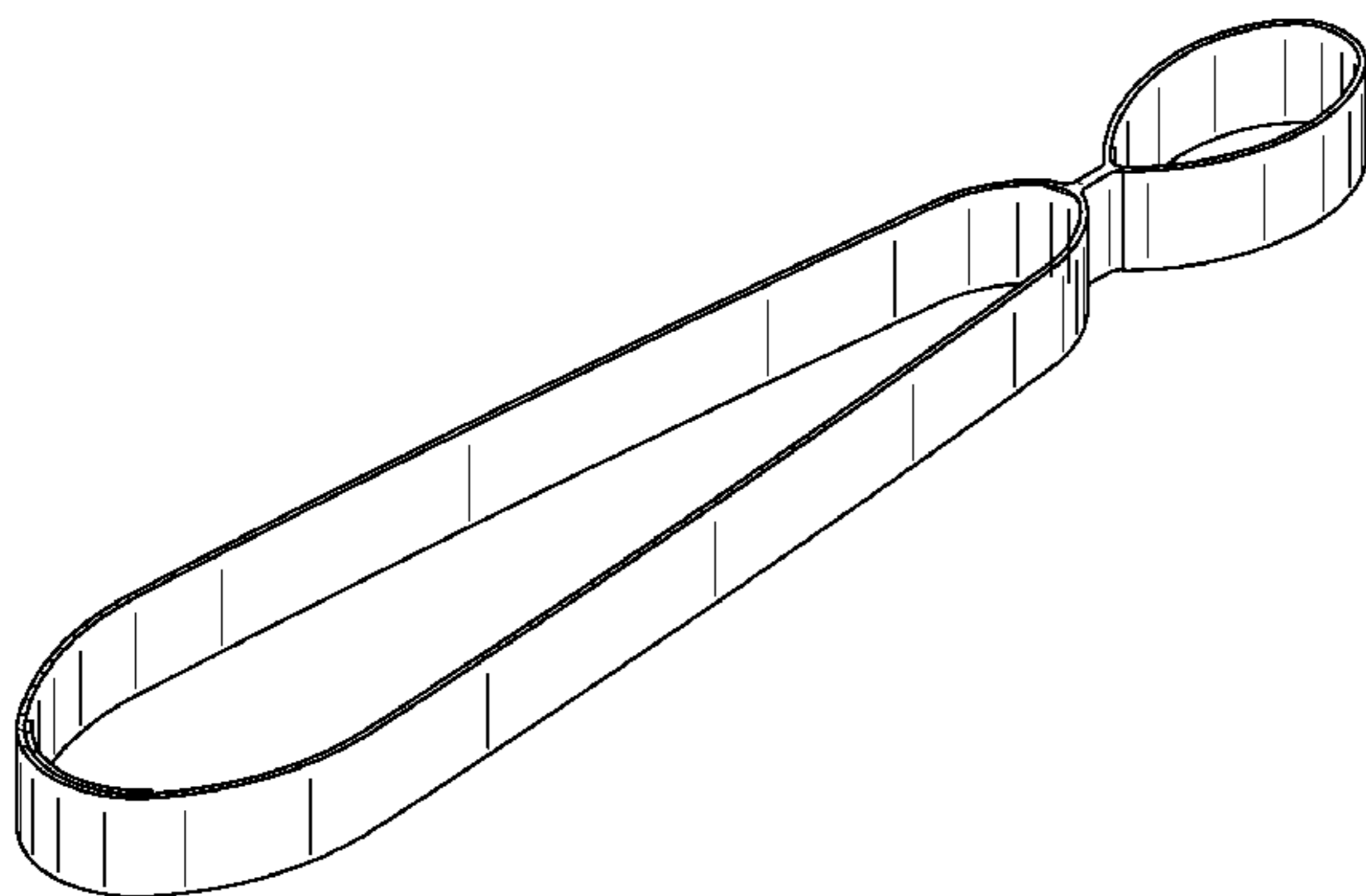
(57) **CLAIM**

The ornamental design for a skateboard accessory, as shown and described.

DESCRIPTION

FIG. 1 is a perspective view of a skateboard accessory showing the new design;
FIG. 2 is another perspective view thereof;
FIG. 3 is a front view thereof, the back view being a mirror image thereof;
FIG. 4 is a right side view thereof, the left side view being a mirror image thereof;
FIG. 5 is a bottom view thereof; and,
FIG. 6 is a top view thereof.

1 Claim, 2 Drawing Sheets



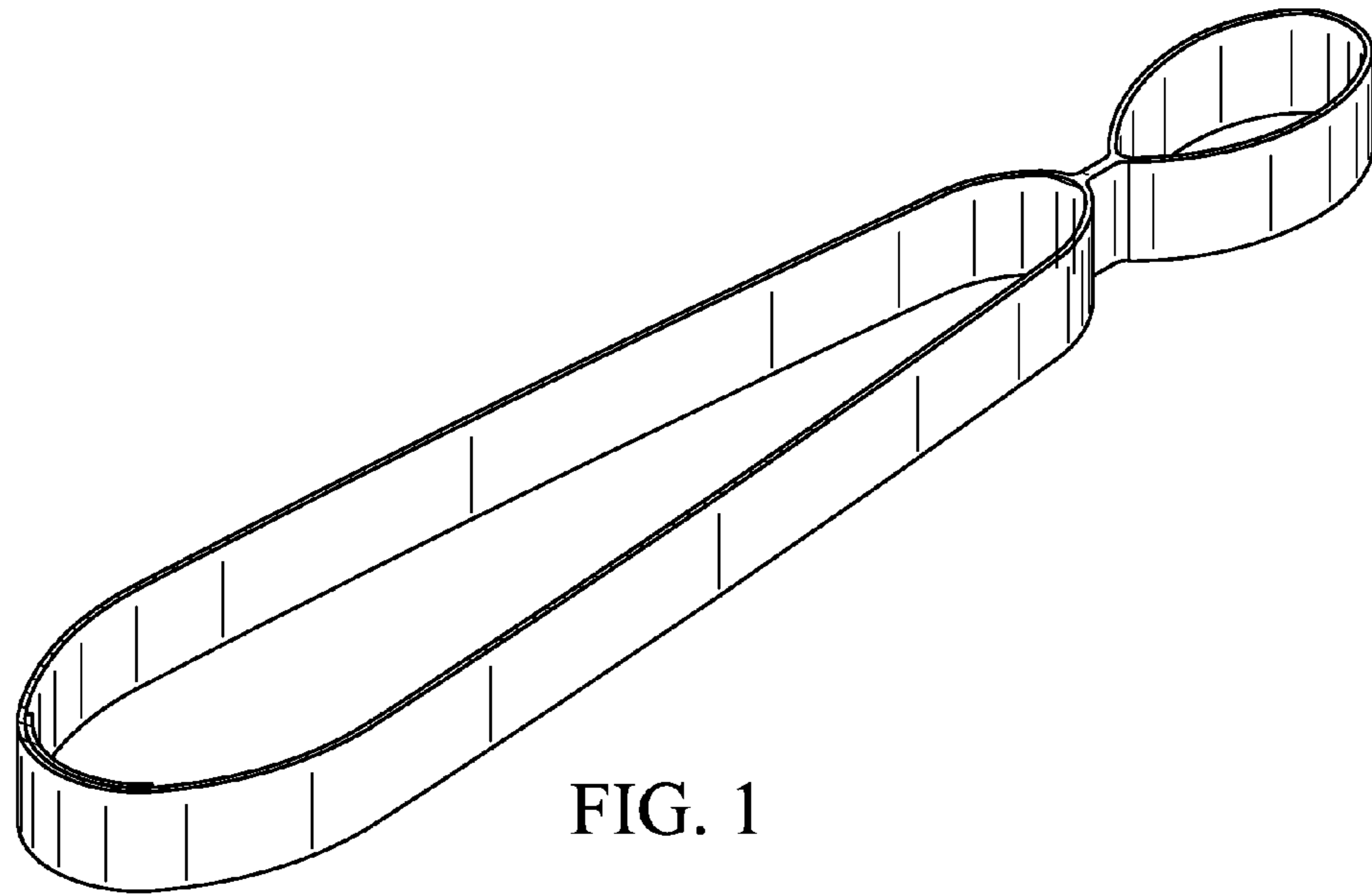


FIG. 1

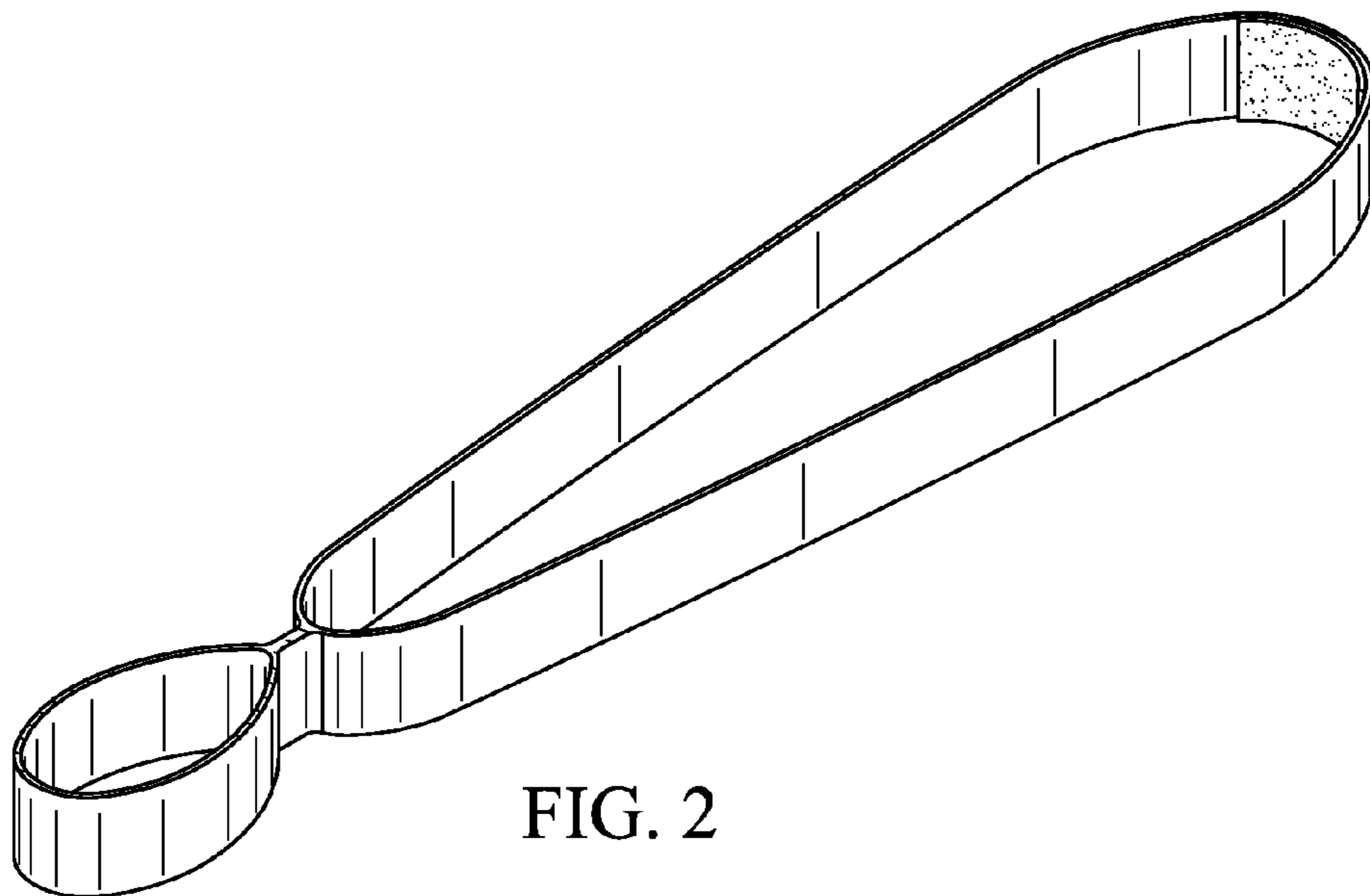


FIG. 2

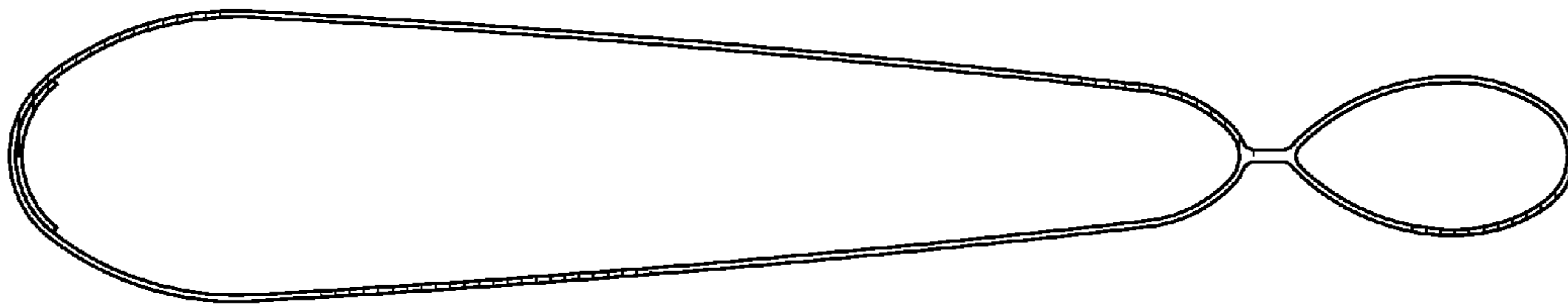


FIG. 3



FIG. 4

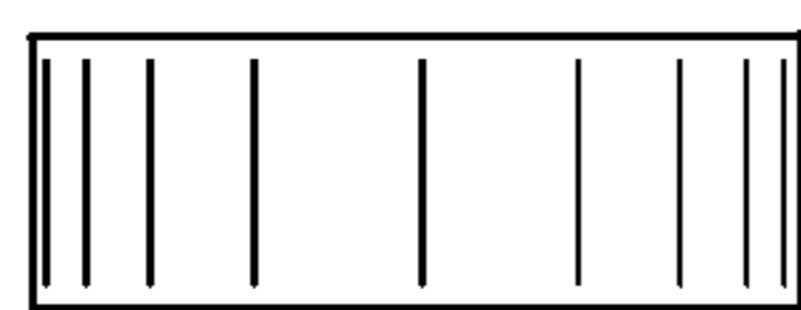


FIG. 5

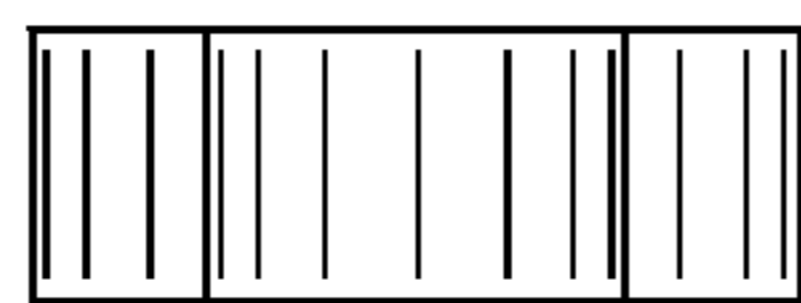


FIG. 6