

US00D642643S

(12) **United States Design Patent**
Nicolette et al.

(10) **Patent No.:** **US D642,643 S**

(45) **Date of Patent:** **** Aug. 2, 2011**

(54) **GOLF CLUB HEAD**
(75) Inventors: **Michael R. Nicolette**, Scottsdale, AZ
(US); **Anthony D. Serrano**, Anthem, AZ
(US); **John A. Solheim**, Phoenix, AZ
(US)

(73) Assignee: **Karsten Manufacturing Corporation**,
Phoenix, AZ (US)

(**) Term: **14 Years**

(21) Appl. No.: **29/386,041**

(22) Filed: **Feb. 24, 2011**

(51) **LOC (9) Cl.** **21-02**

(52) **U.S. Cl.** **D21/759**

(58) **Field of Classification Search** D21/736-746,
D21/752, 759; 473/324-331, 340-346

See application file for complete search history.

(56) **References Cited**

U.S. PATENT DOCUMENTS

1,993,928 A	3/1935	Glover
2,041,676 A	5/1936	Gallagher
D248,179 S	6/1978	Riley
4,139,196 A	2/1979	Riley
5,221,086 A	6/1993	Antonious
5,310,186 A	5/1994	Solheim
5,335,914 A	8/1994	Long
D352,755 S	11/1994	Cornish, III
D357,290 S	4/1995	Viollaz
5,547,188 A	8/1996	Dumontier
D379,391 S	5/1997	Moore
5,658,206 A	8/1997	Antonious
5,795,245 A	8/1998	Chang
D398,682 S	9/1998	Moore
D402,340 S	12/1998	Sheet
D404,098 S	1/1999	Ishikawa
5,980,394 A	11/1999	Domas
D418,888 S	1/2000	Williams, Jr.
D425,589 S	5/2000	Ishikawa
D426,604 S	6/2000	Besnard

6,074,310 A	6/2000	Ota	
6,080,069 A	6/2000	Long	
D433,073 S	10/2000	Sodano	
D441,818 S	5/2001	Sato	
D442,245 S	5/2001	Roach	
D445,470 S	7/2001	Teramoto	
D446,268 S	8/2001	Satoh	
D446,563 S	8/2001	Besnard	
D461,865 S	8/2002	Nagai	
D463,838 S	10/2002	Besnard	
D465,251 S	11/2002	Wood	
6,475,102 B2	11/2002	Helmstetter	
D469,141 S *	1/2003	Poynor et al.	D21/759
D472,950 S	4/2003	Burnett	
D482,421 S	11/2003	Kessler	
D485,320 S *	1/2004	Breier et al.	D21/736
D486,194 S *	2/2004	Helmstetter et al.	D21/743
D490,489 S	5/2004	Madore	

(Continued)

Primary Examiner — Mitchell Siegel

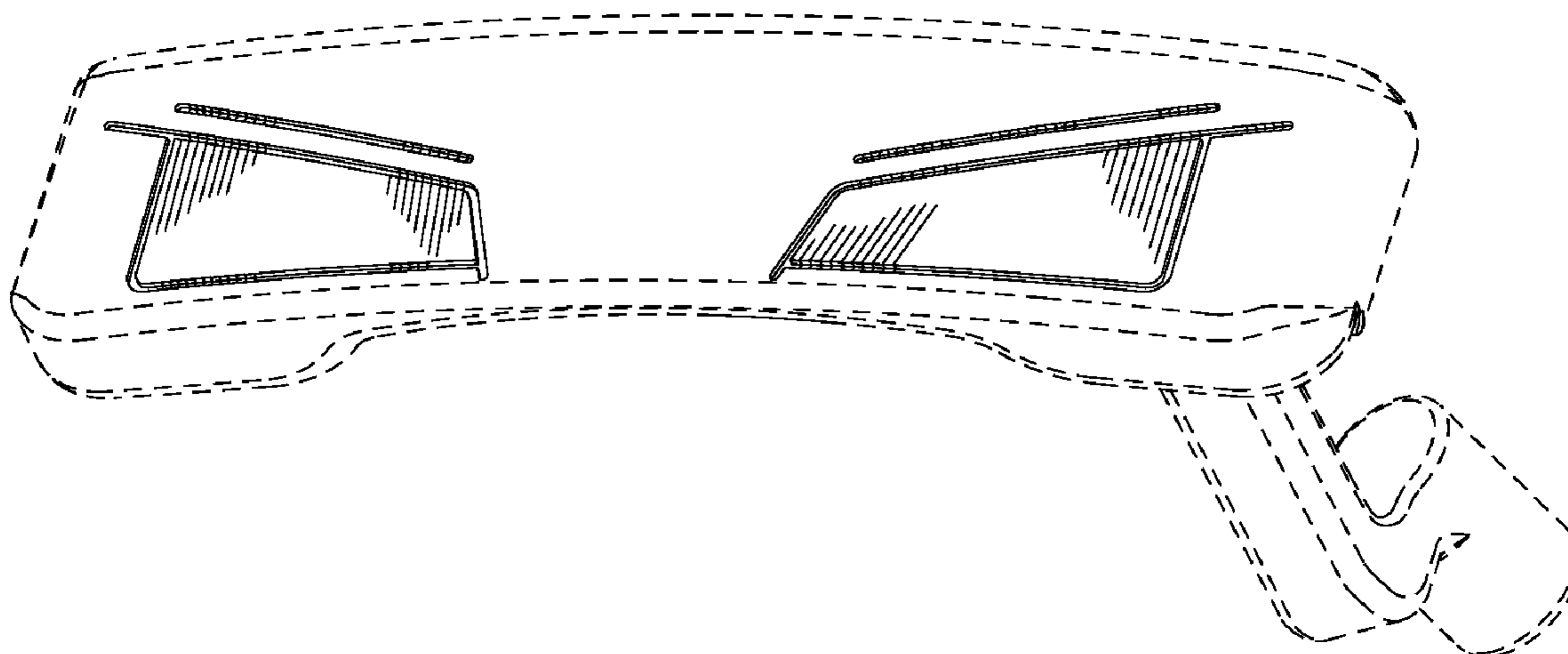
(57) **CLAIM**

The ornamental design for a golf club head, as shown and described.

DESCRIPTION

FIG. 1 is a top perspective view of a golf club head;
FIG. 2 is a bottom perspective view of the golf club head of FIG. 1;
FIG. 3 is a front elevational view of the golf club head of FIG. 1;
FIG. 4 is a rear elevational view of the golf club head of FIG. 1;
FIG. 5 is a top view of the golf club head of FIG. 1;
FIG. 6 is a bottom view of the golf club head of FIG. 1;
FIG. 7 is a left side view of the golf club head of FIG. 1; and,
FIG. 8 is a right side view of the golf club head of FIG. 1.
The broken lines shown in one or more of the figures are for illustrative purposes only and form no part of the claimed design.

1 Claim, 4 Drawing Sheets



US D642,643 S

U.S. PATENT DOCUMENTS					
D492,745 S	7/2004	Tang	D570,941 S	6/2008	Chen
D502,976 S	3/2005	Nishitani	D571,882 S	6/2008	Soracco
D508,544 S	8/2005	Madore	D572,324 S	7/2008	Chen
D509,272 S	9/2005	Smith	D572,782 S	7/2008	Sanchez
6,939,247 B1	9/2005	Schweigert	D572,783 S	7/2008	Sanchez
D513,424 S	1/2006	Erickson	D572,784 S	7/2008	Sanchez
D514,179 S	1/2006	Chen	D572,785 S	7/2008	Chen
6,988,960 B2	1/2006	Mahaffey	D572,787 S	7/2008	Sanchez
D515,160 S *	2/2006	Smith et al. D21/759	D572,791 S *	7/2008	Jertson et al. D21/759
D518,129 S	3/2006	Poynor	D573,213 S	7/2008	Sanchez
D518,543 S	4/2006	Aguinaldo	D573,214 S	7/2008	Sanchez
D521,093 S	5/2006	Jorgensen	D573,215 S	7/2008	Sanchez
D522,077 S	5/2006	Schweigert	D573,216 S	7/2008	Sanchez
D522,601 S	6/2006	Schweigert	D573,217 S	7/2008	Sanchez
D523,103 S	6/2006	Hocknell	D573,218 S	7/2008	Sanchez
D523,498 S	6/2006	Chen	D573,674 S	7/2008	Sanchez
D523,502 S	6/2006	Jorgensen	D573,675 S	7/2008	Sanchez
D526,694 S	8/2006	Schweigert	D573,676 S	7/2008	Chen
D529,111 S	9/2006	Cleveland	D573,678 S	7/2008	Kawami
D530,761 S	10/2006	Evans	D574,046 S	7/2008	Chen
D532,473 S *	11/2006	Chen et al. D21/759	D574,048 S	7/2008	Kadoya
D532,474 S	11/2006	Bennett	D574,049 S	7/2008	Kadoya
D532,854 S	11/2006	Oldknow	D574,050 S *	7/2008	Jones et al. D21/759
D535,343 S	1/2007	Chen	7,396,296 B2	7/2008	Evans
D536,049 S	1/2007	Evans	D574,456 S *	8/2008	Chen et al. D21/759
D537,139 S	2/2007	Breier	D575,368 S *	8/2008	Oldknow et al. D21/759
D537,495 S	2/2007	Schweigert	D578,587 S	10/2008	Hoffman
D537,496 S	2/2007	Serrano	D579,066 S	10/2008	Dipert
D537,895 S	3/2007	Breier	D579,067 S	10/2008	Hoffman
D538,363 S	3/2007	Schweigert	D580,504 S	11/2008	Bosilkovski
D538,367 S	3/2007	Foster	D583,432 S	12/2008	Chen
D538,371 S	3/2007	Kawami	D587,772 S	3/2009	Ferguson
D538,866 S	3/2007	Kim	D588,217 S	3/2009	Jertson
D538,867 S	3/2007	Cleveland	D588,659 S	3/2009	Jertson
D539,371 S	3/2007	Serrano	D589,576 S	3/2009	Kadoya
D550,318 S	9/2007	Oldknow	7,503,854 B2	3/2009	Galloway
D550,799 S	9/2007	Lin	D591,810 S	5/2009	Murphy
D552,198 S	10/2007	Schweigert	D591,817 S	5/2009	Murphy
D553,206 S	10/2007	Morales	D591,818 S	5/2009	Roberts
D555,745 S	11/2007	Rollinson	D594,518 S	6/2009	Schweigert
D557,362 S	12/2007	Serrano	D594,520 S *	6/2009	Schweigert et al. D21/759
D557,363 S	12/2007	Jertson	D594,521 S	6/2009	Jertson
D558,287 S	12/2007	Jertson	D594,919 S	6/2009	Schweigert
D558,288 S	12/2007	Jertson	D596,252 S	7/2009	Jertson
D561,286 S	2/2008	Morales	D598,062 S	8/2009	Dipert
D562,421 S	2/2008	Jertson	D600,297 S	9/2009	Jertson
7,326,472 B2	2/2008	Shimazaki	D603,472 S	11/2009	Schweigert
D563,498 S	3/2008	Jertson	D603,919 S	11/2009	Gray
D564,054 S	3/2008	Jertson	D604,376 S	11/2009	Darley
D564,055 S	3/2008	Jertson	D609,293 S	2/2010	Williams
D564,056 S	3/2008	Chen	D609,294 S	2/2010	Oldknow
D566,214 S	4/2008	Evans	D611,555 S	3/2010	Oldknow
D567,317 S	4/2008	Jertson	D612,005 S	3/2010	Oldknow
D567,891 S *	4/2008	Serrano et al. D21/759	D613,805 S	4/2010	Sutovsky
D569,933 S	5/2008	Jertson	D618,747 S	6/2010	Schweigert
D569,934 S	5/2008	Jertson	D618,753 S	6/2010	Jertson
D569,935 S	5/2008	Schweigert	D618,754 S *	6/2010	Schweigert et al. D21/759
D569,936 S	5/2008	Schweigert	7,892,111 B2	2/2011	Morales
D569,937 S	5/2008	Sanchez	D635,626 S *	4/2011	Nicolette D21/759
D569,938 S	5/2008	Sanchez	2005/0043117 A1	2/2005	Gilbert
D570,937 S	6/2008	Schweigert	2008/0039228 A1	2/2008	Breier
D570,938 S	6/2008	Jertson	2008/0171612 A1	7/2008	Serrano
D570,939 S	6/2008	Chen	2008/0188322 A1	8/2008	Anderson
D570,940 S	6/2008	Chen	2009/0275419 A1	11/2009	Cackett

* cited by examiner

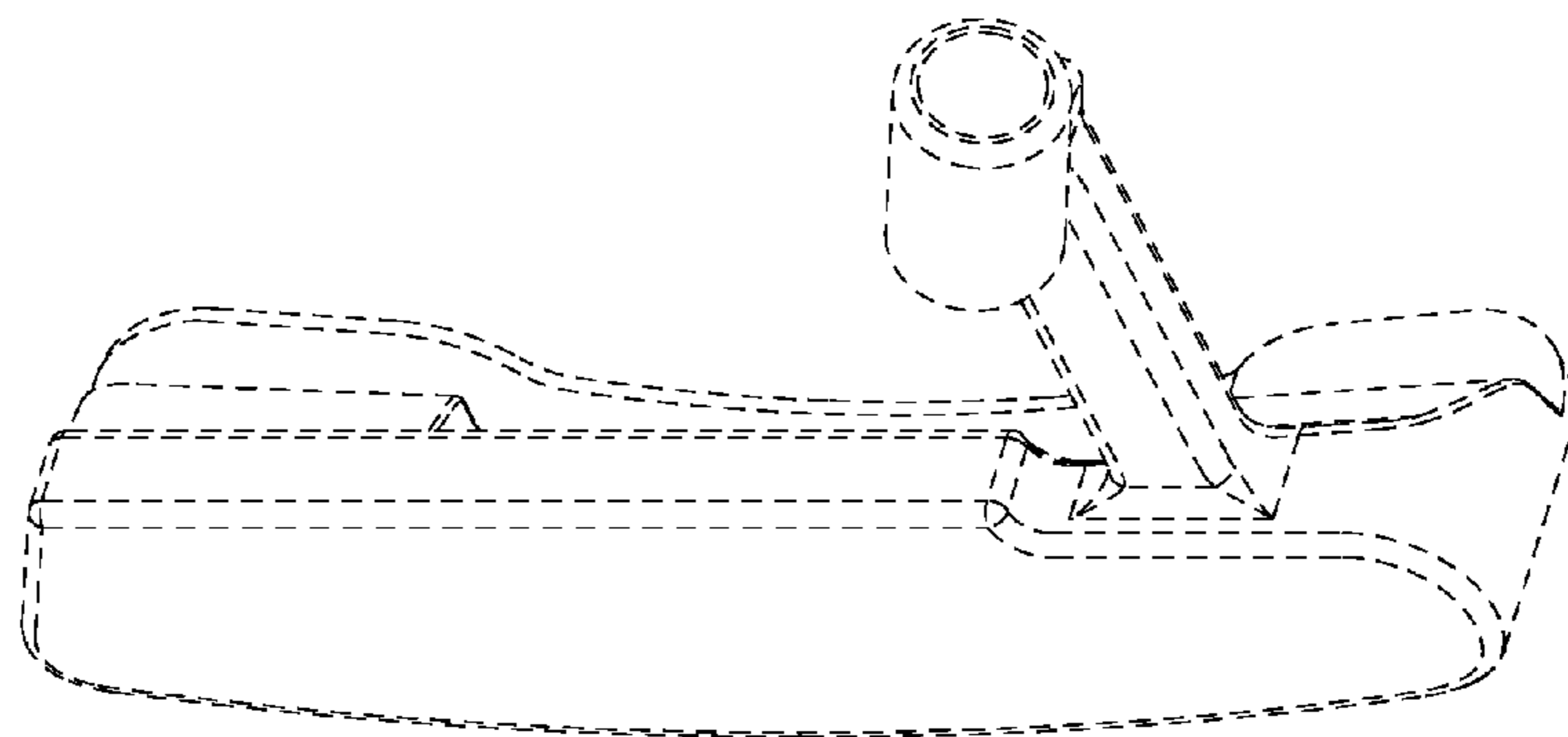


FIG. 1

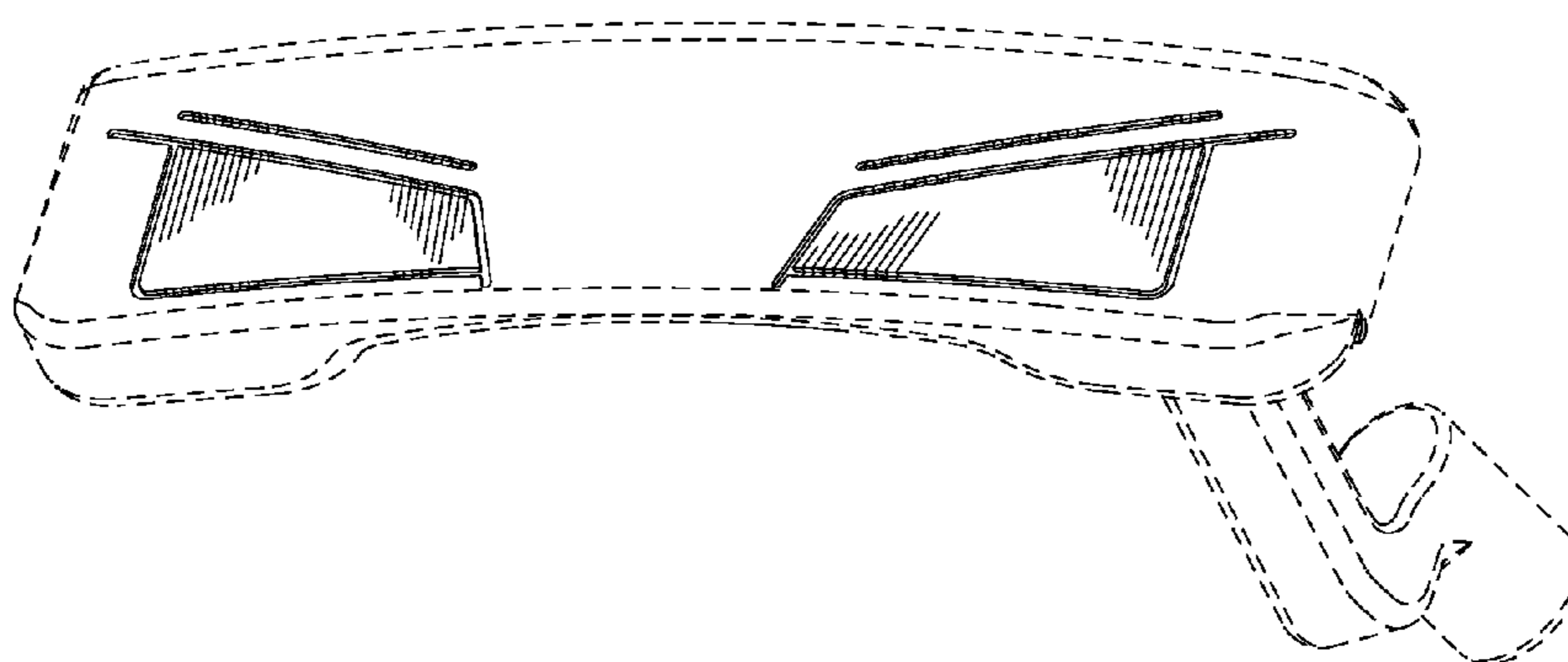


FIG. 2

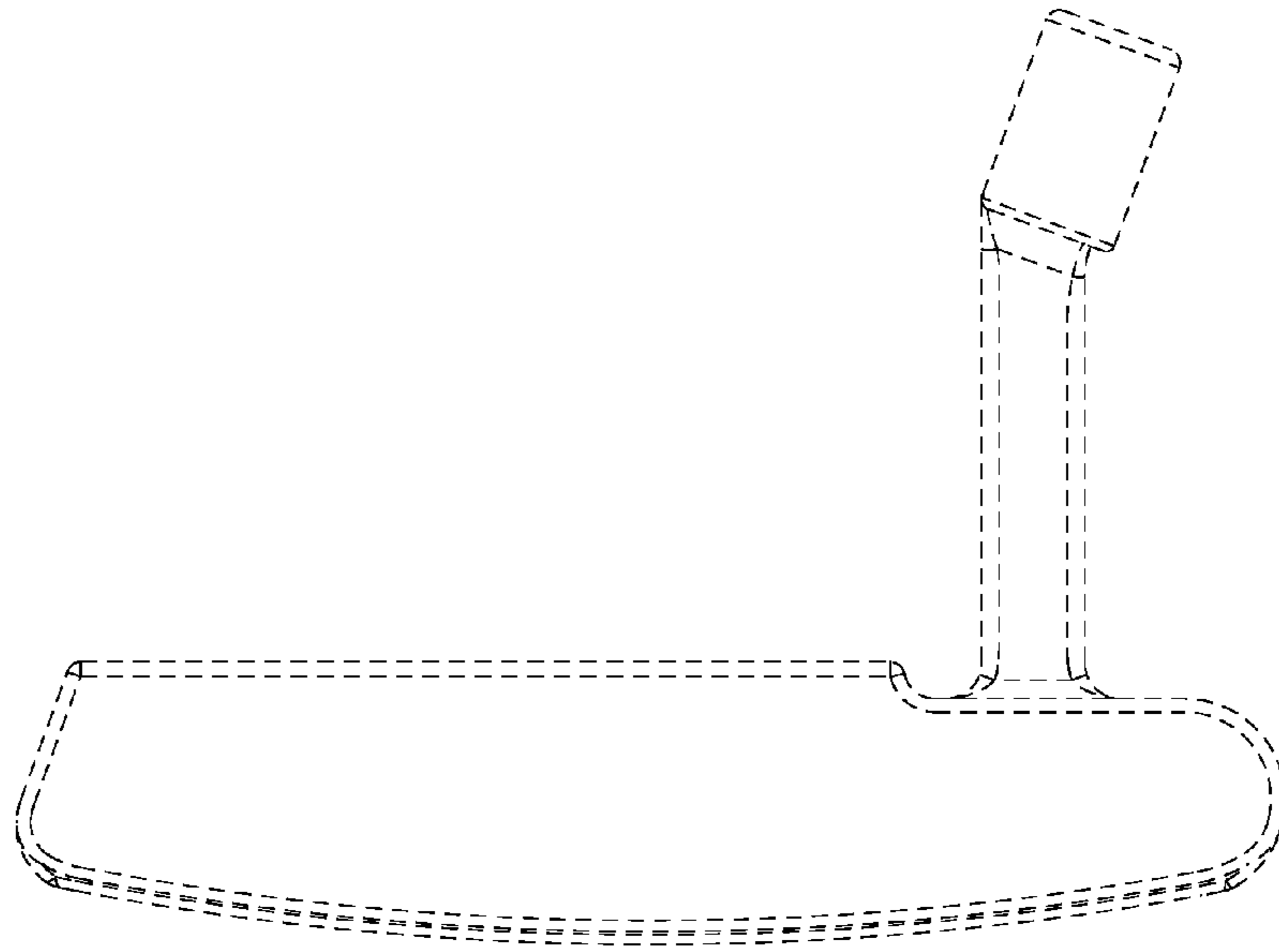


FIG. 3

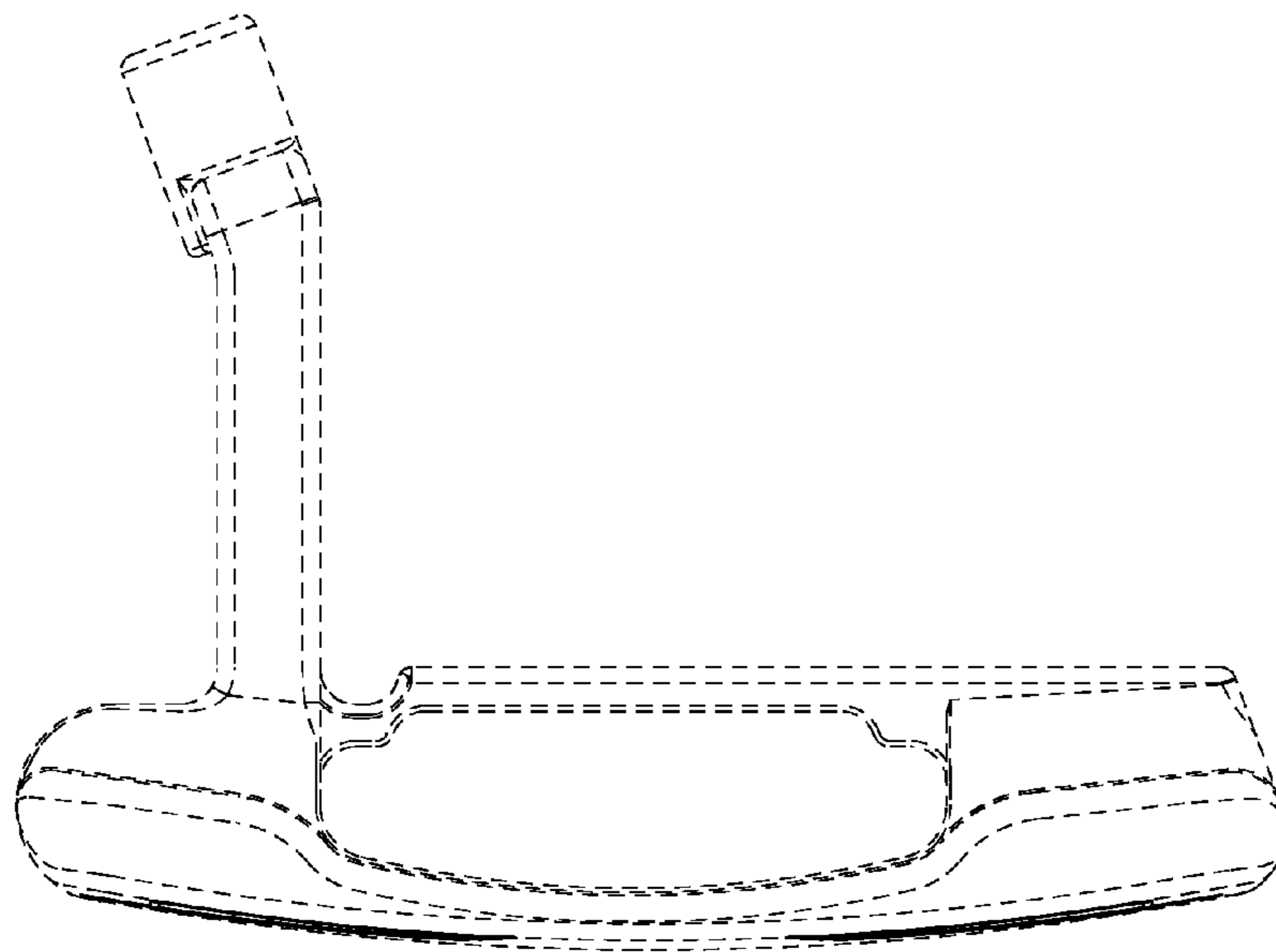


FIG. 4

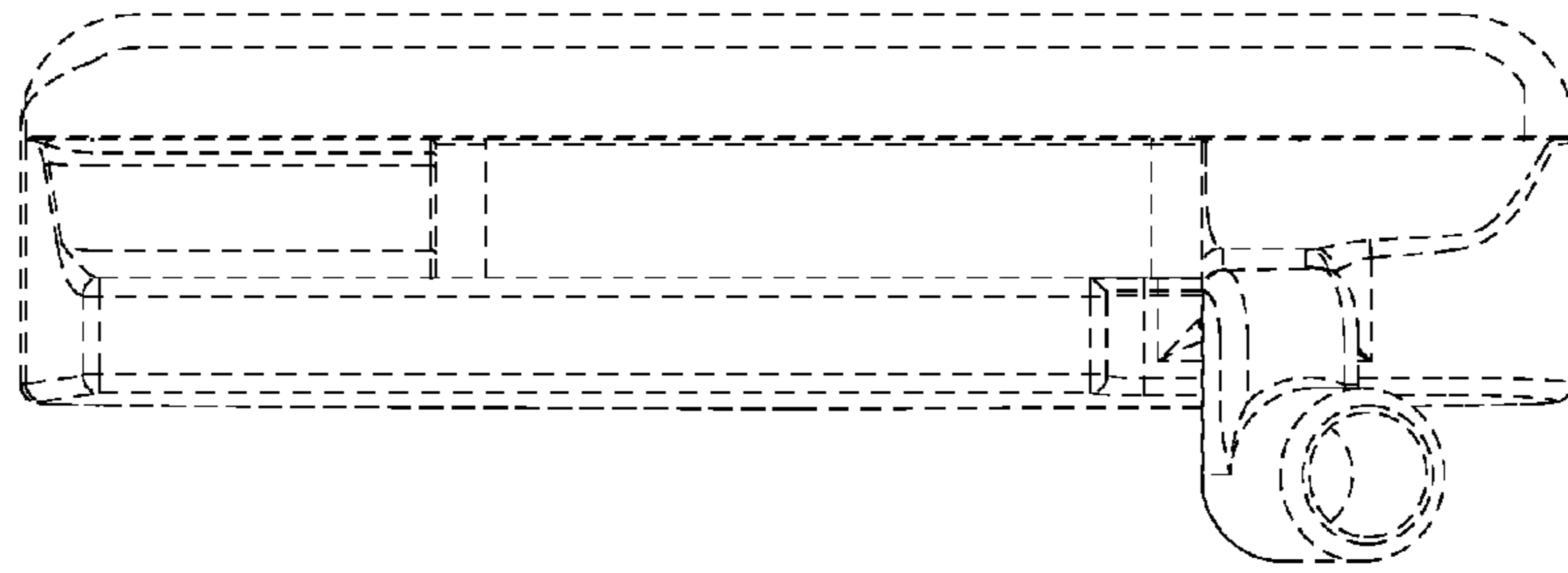


FIG. 5

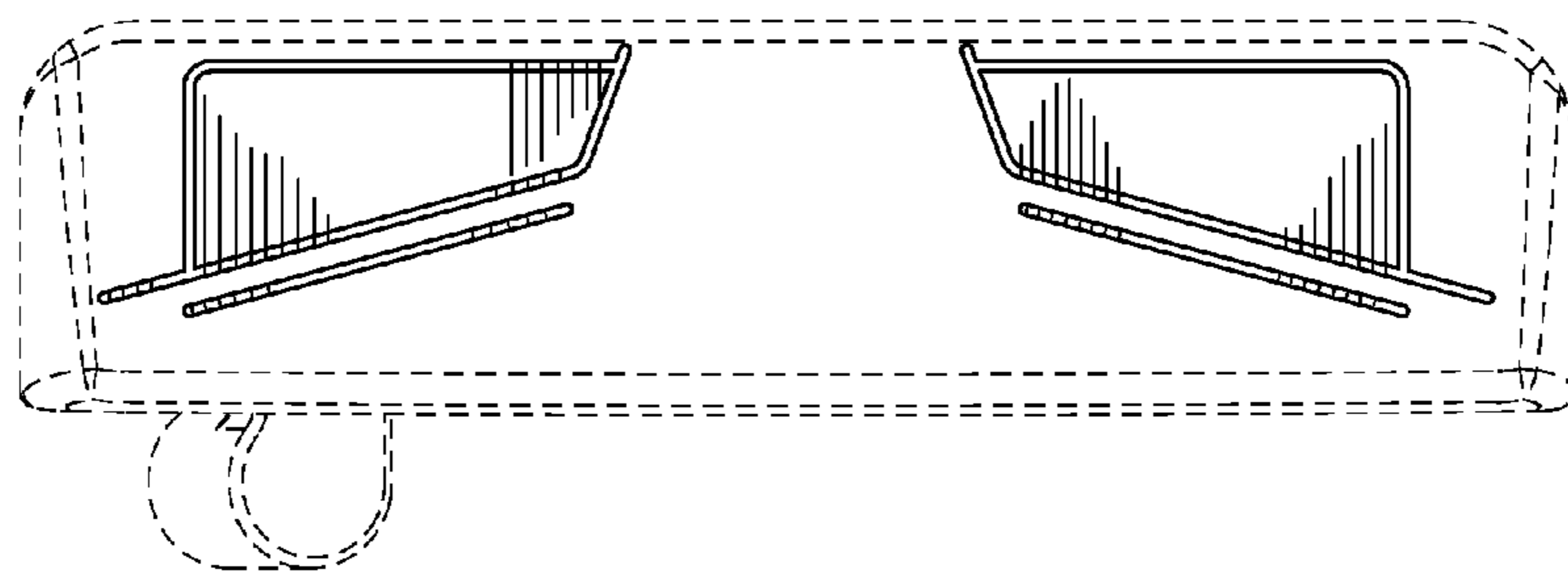


FIG. 6

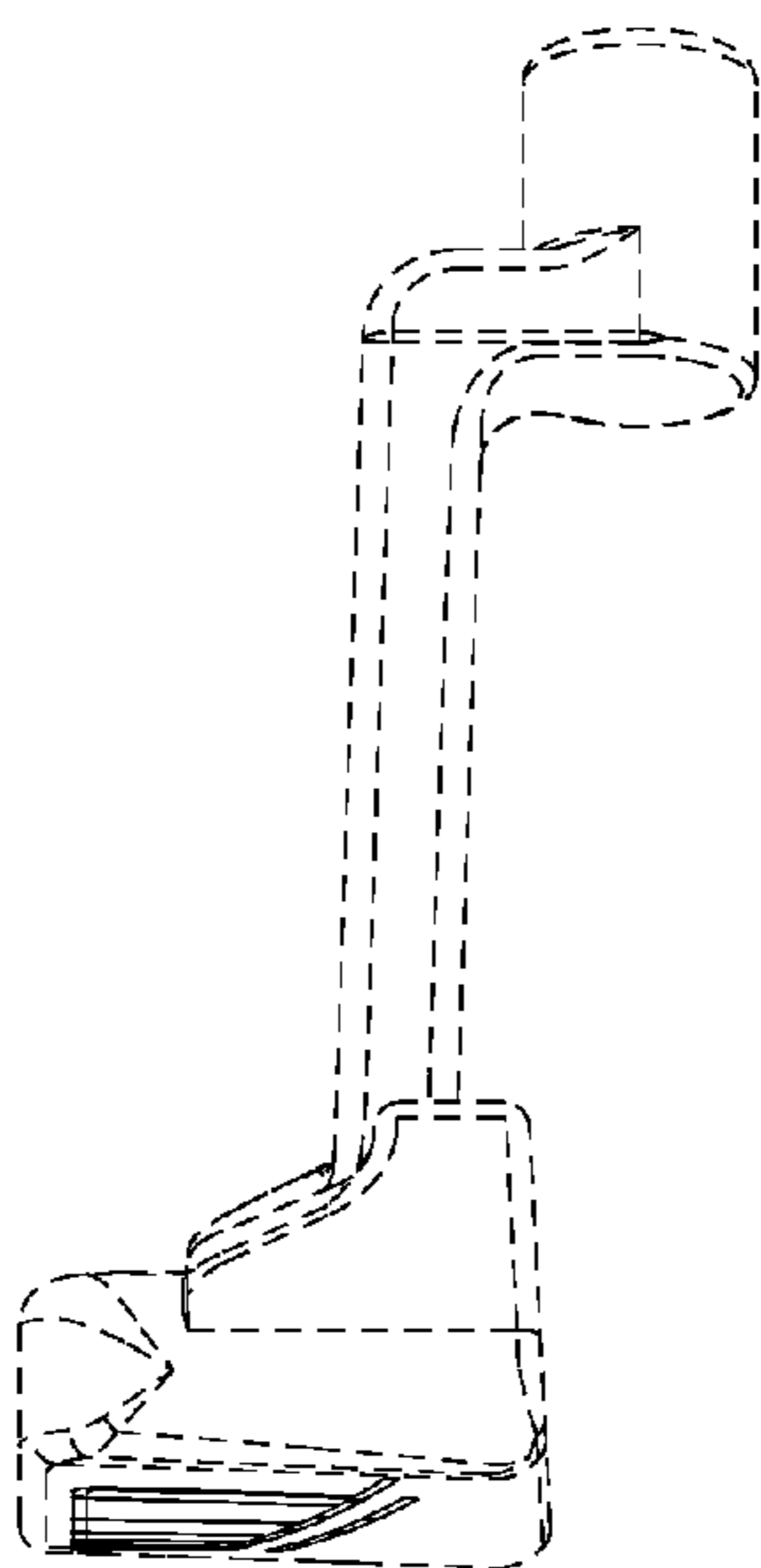


FIG. 7

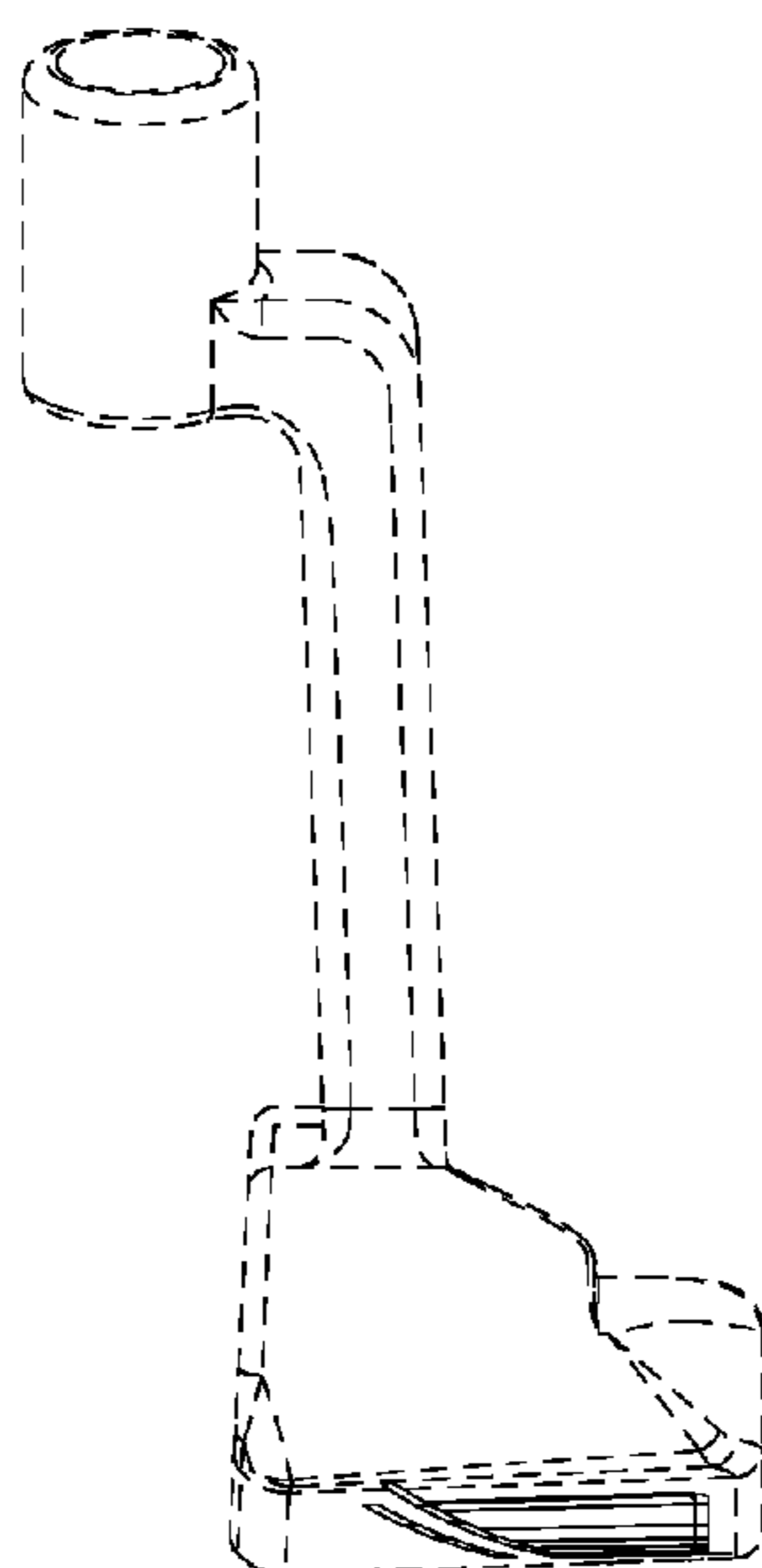


FIG. 8