



US00D642639S

(12) **United States Design Patent**  
**Tsai**

(10) **Patent No.:** **US D642,639 S**  
(45) **Date of Patent:** **\*\* Aug. 2, 2011**

(54) **SWING EXERCISER**

(75) Inventor: **Jao-Hsing Tsai**, Hsinchu (TW)

(73) Assignee: **Cheng-Kang Chu**, Hsinchu (TW)

(\*\*) Term: **14 Years**

(21) Appl. No.: **29/378,969**

(22) Filed: **Nov. 12, 2010**

(30) **Foreign Application Priority Data**

Jul. 23, 2010 (TW) ..... 99303620

(51) **LOC (9) Cl.** ..... **21-02**

(52) **U.S. Cl.** ..... **D21/689**

(58) **Field of Classification Search** ..... D21/662,  
D21/686, 688, 689, 694; 482/51, 71, 96,  
482/131-132, 140, 142, 146-147; 601/23,  
601/33, 40, 127, 131

See application file for complete search history.

(56) **References Cited**

**U.S. PATENT DOCUMENTS**

4,313,603 A \* 2/1982 Simjian ..... 482/147  
4,391,441 A \* 7/1983 Simjian ..... 482/131  
4,846,465 A \* 7/1989 Iams et al. .... 482/132  
4,858,918 A \* 8/1989 Iams et al. .... 482/132

4,989,860 A \* 2/1991 Iams et al. .... 482/132  
5,306,223 A \* 4/1994 Martinez ..... 482/142  
6,440,045 B1 \* 8/2002 Gaston ..... 482/140  
D567,312 S \* 4/2008 Tsai ..... D21/688  
7,666,121 B2 \* 2/2010 Zhou ..... 482/51  
D613,351 S \* 4/2010 Splane ..... D21/689  
D622,334 S \* 8/2010 Splane ..... D21/689  
D626,608 S \* 11/2010 Tsai ..... D21/689  
D631,108 S \* 1/2011 Brodess et al. .... D21/689

\* cited by examiner

*Primary Examiner* — Susan E Krakower

(57) **CLAIM**

I claim the ornamental design for a swing exerciser, as shown and described.

**DESCRIPTION**

FIG. 1 is a perspective view of the swing exerciser showing my new design;

FIG. 2 is a front view thereof;

FIG. 3 is a rear view thereof;

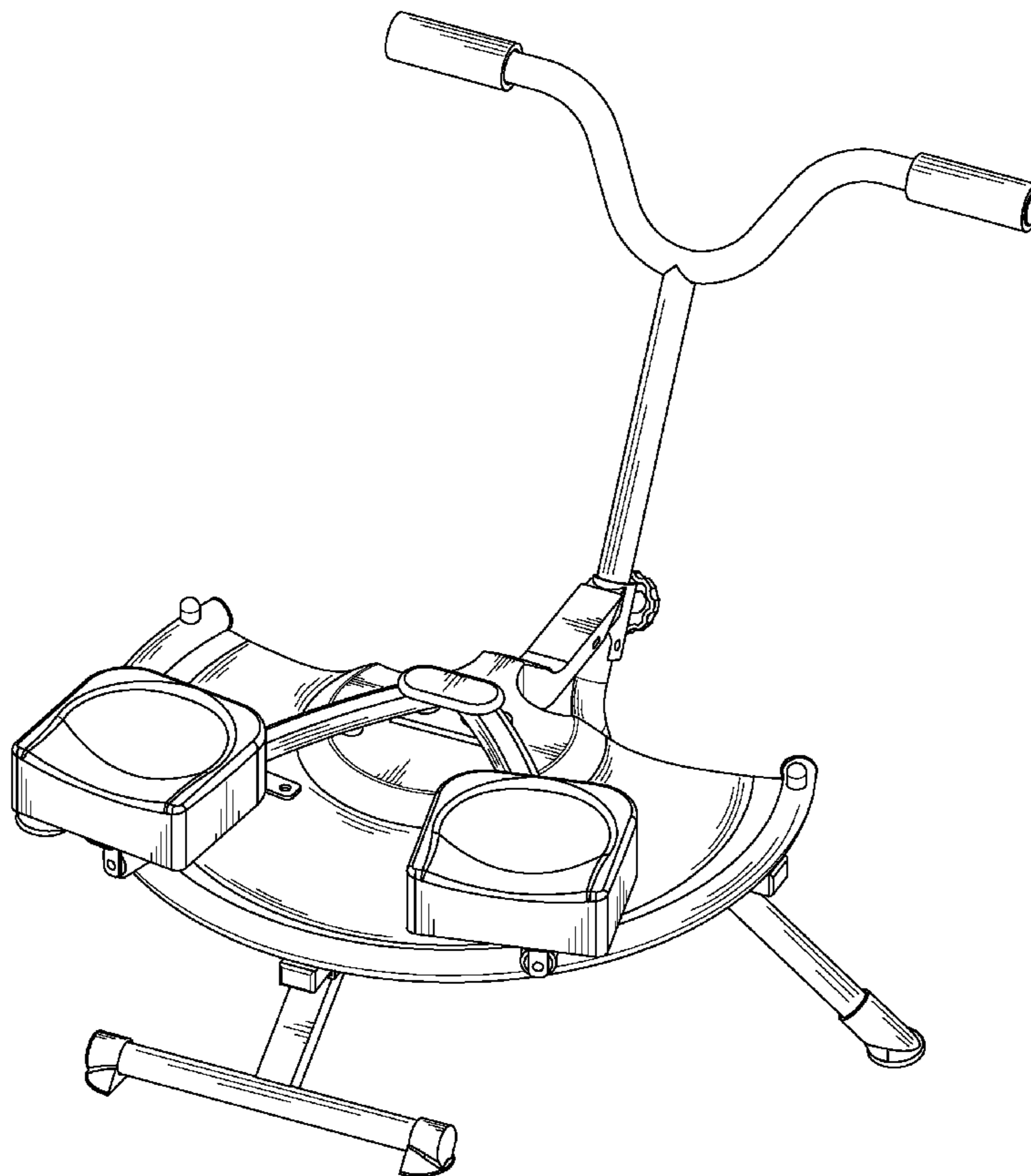
FIG. 4 is a left side view thereof, with the right side view being a mirror image thereof;

FIG. 5 is a top plan view thereof; and,

FIG. 6 is a bottom view thereof.

The broken lines in the figures depict portions of the swing exerciser that form no part of the claimed design.

**1 Claim, 6 Drawing Sheets**



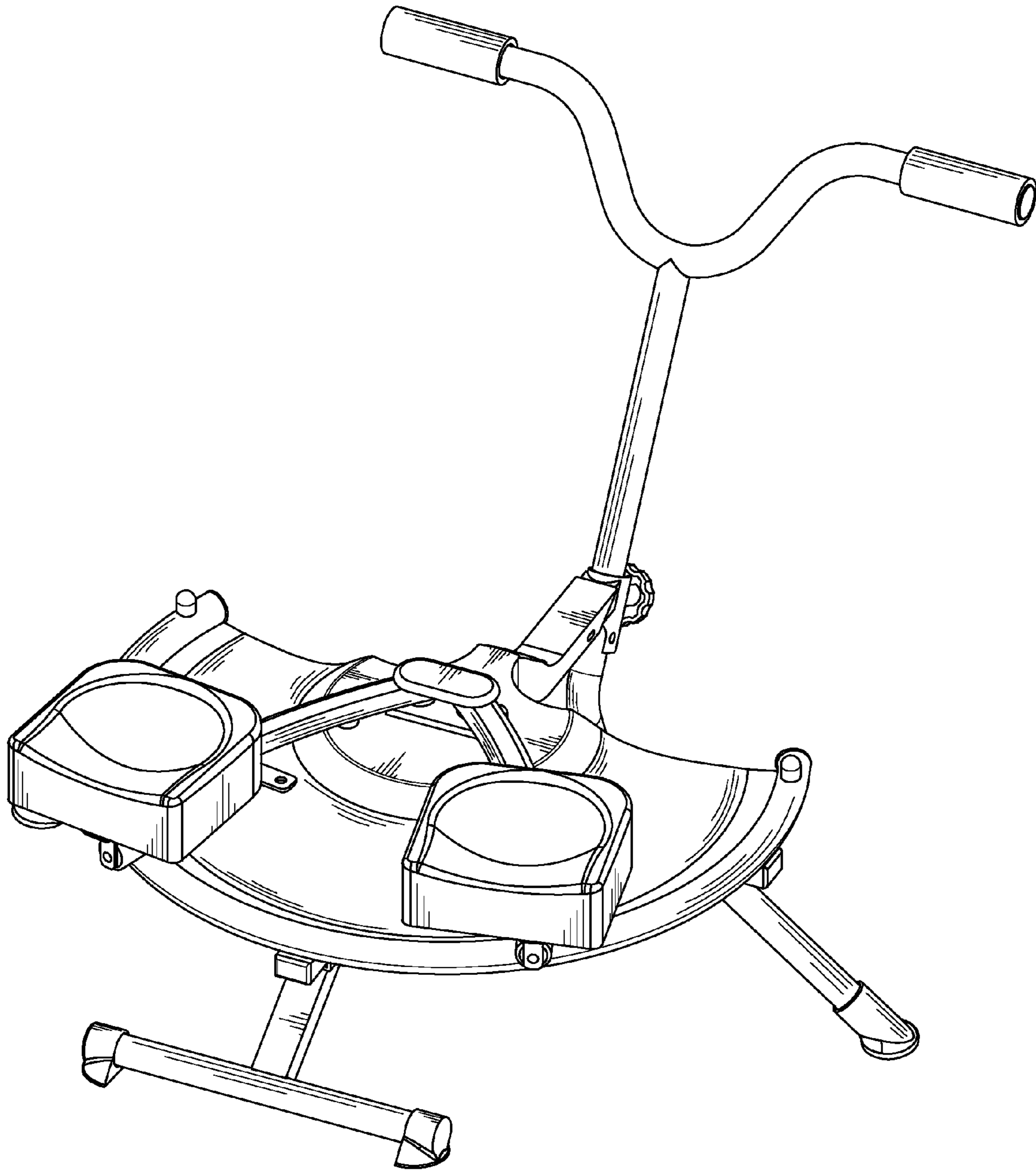


FIG. 1

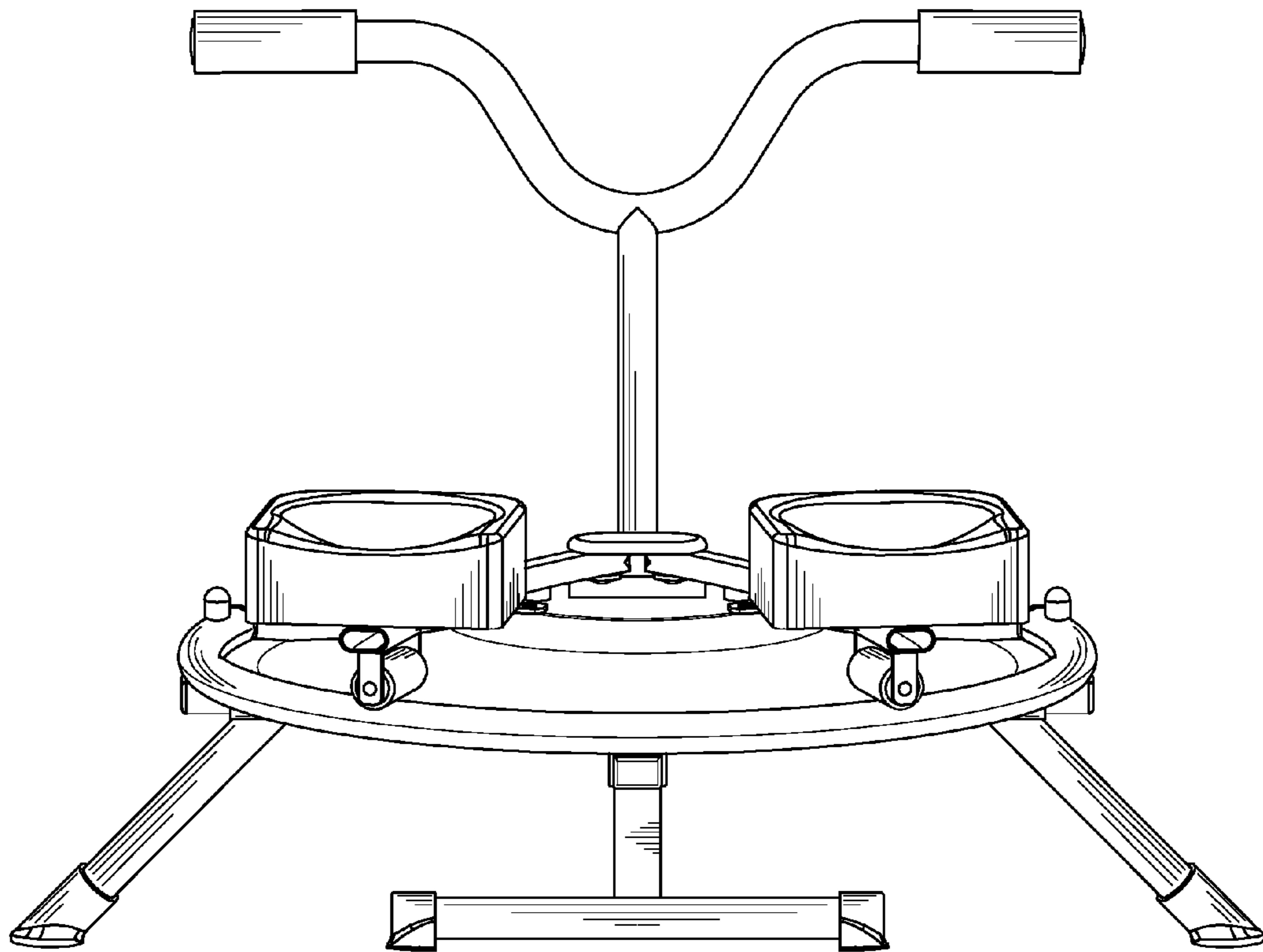


FIG. 2

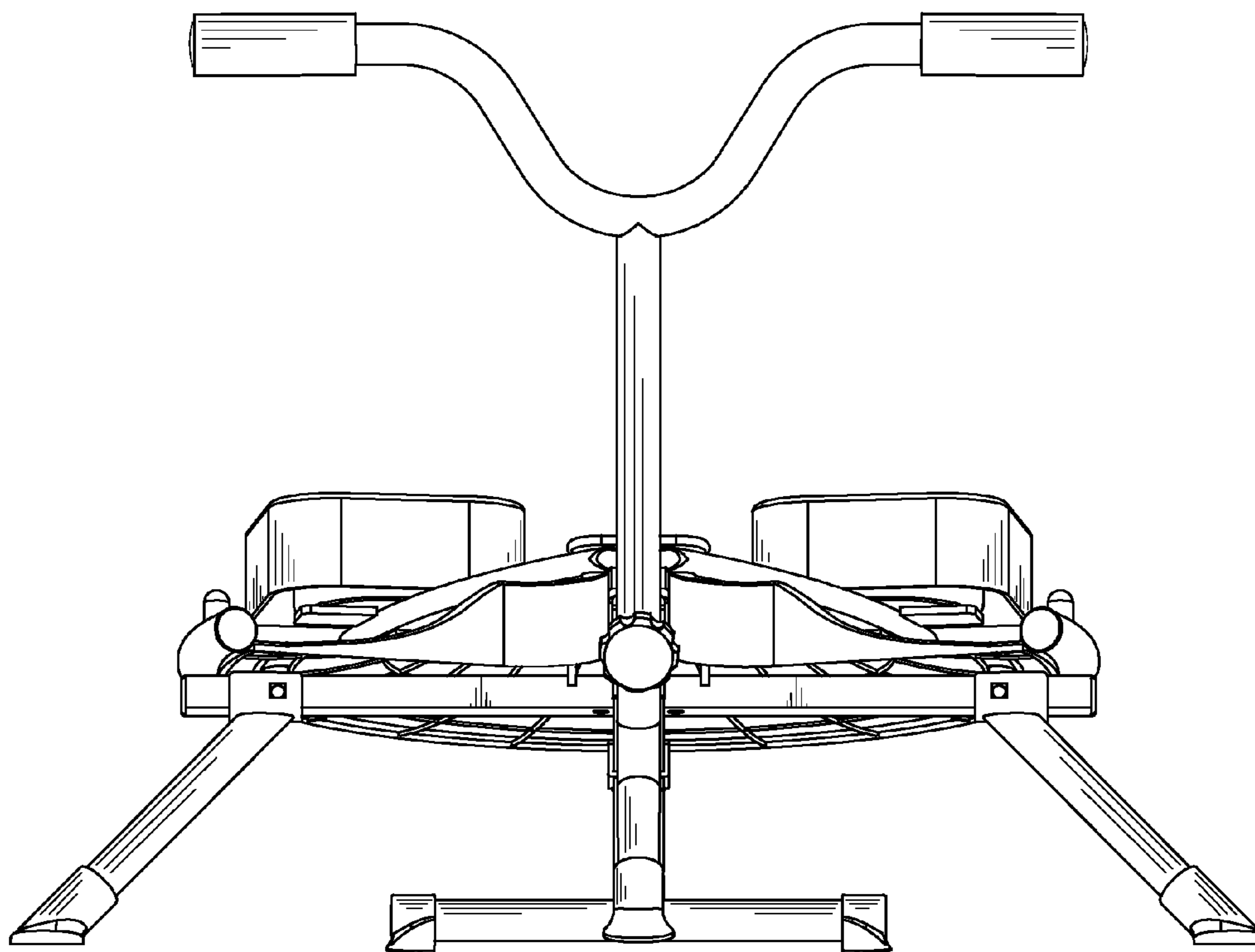


FIG. 3

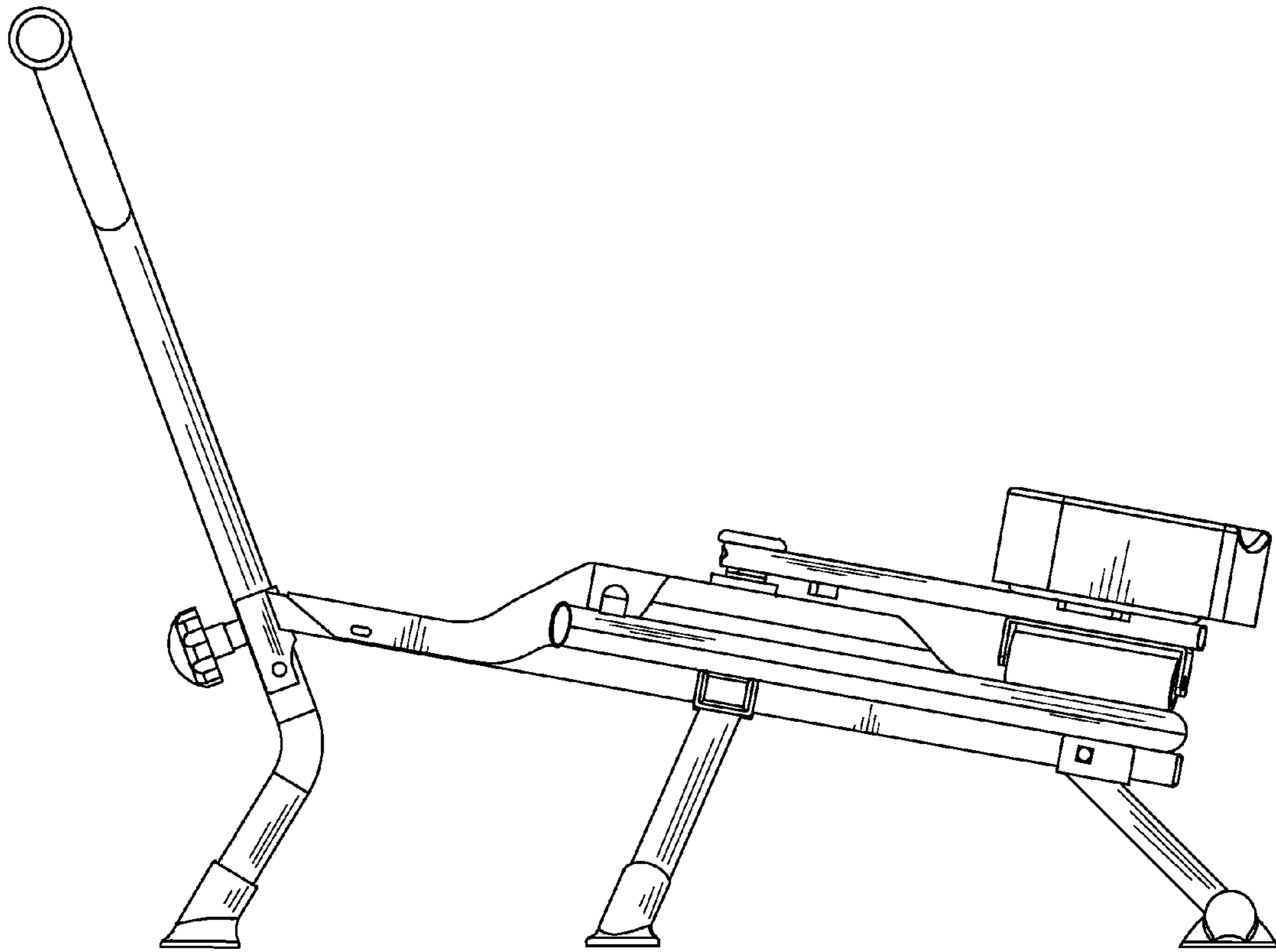


FIG. 4

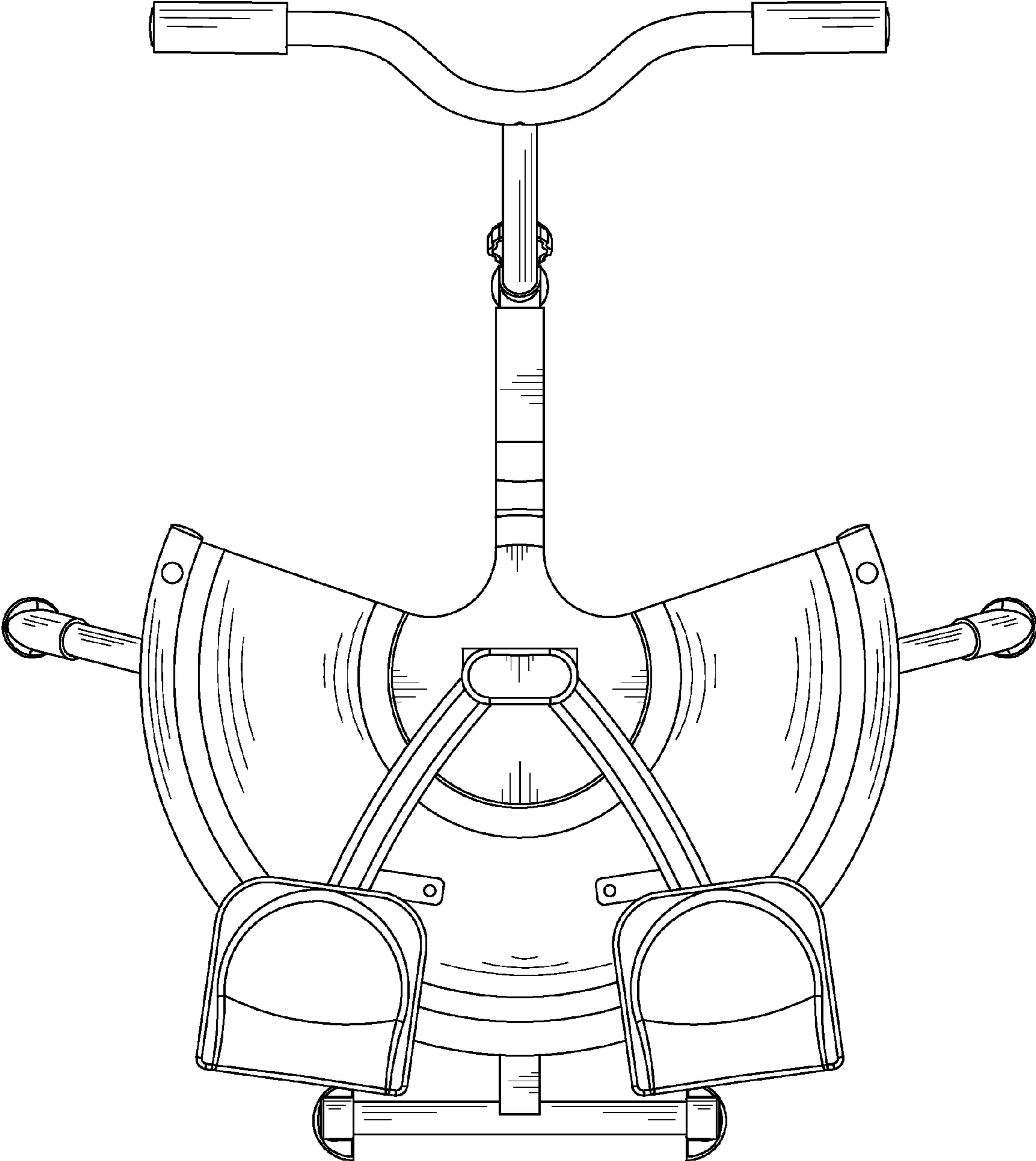


FIG.5

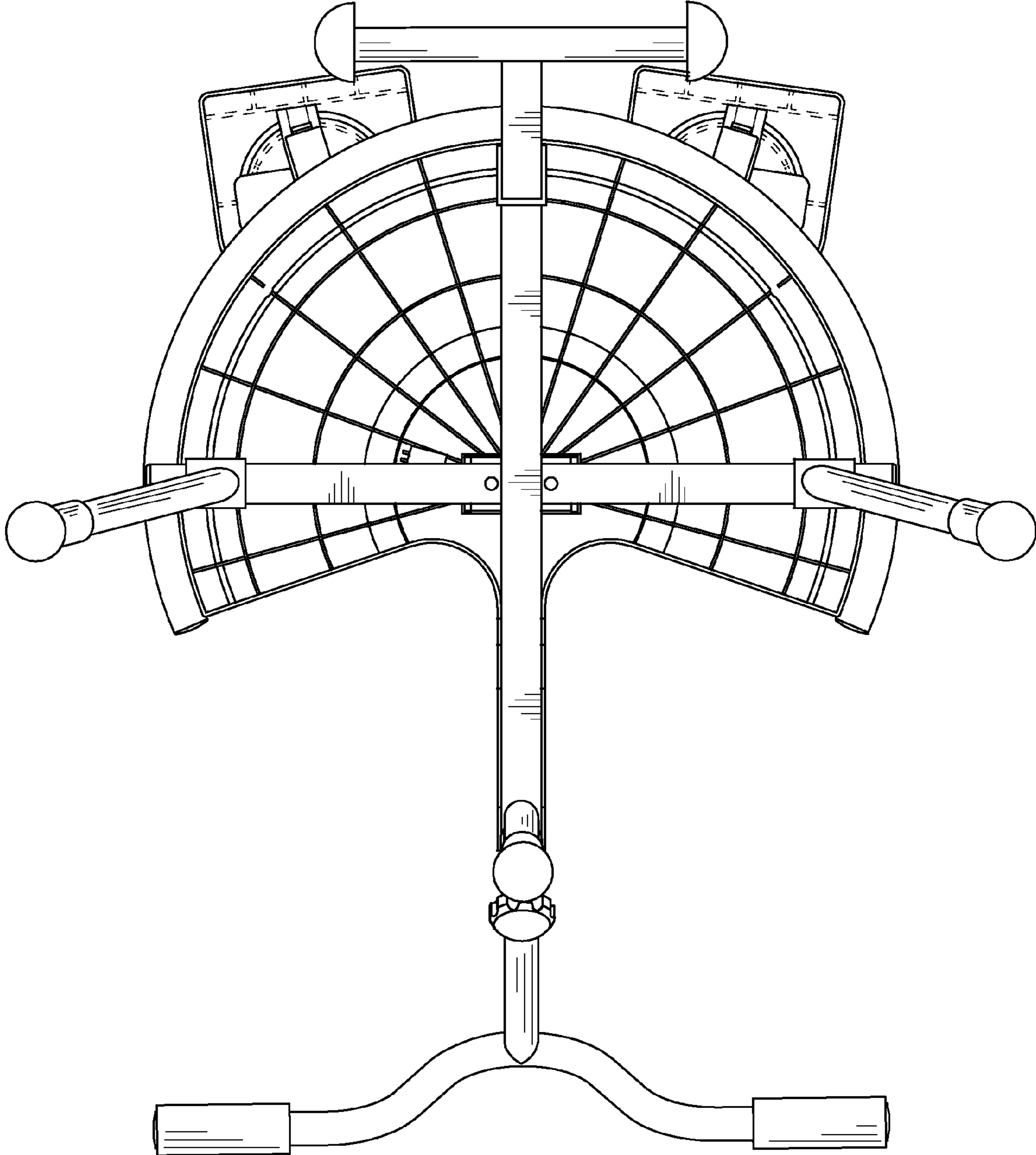


FIG. 6