



US00D642638S

(12) **United States Design Patent**  
**Clark et al.**

(10) **Patent No.:** **US D642,638 S**  
(45) **Date of Patent:** **\*\* Aug. 2, 2011**

- (54) **EXERCISE RISER**
- (75) Inventors: **Michael R. Clark**, Wadsworth, OH  
(US); **Detlev F. Smith**, Fairlawn, OH  
(US)
- (73) Assignee: **BOSU Fitness, LLC**, San Diego, CA  
(US)
- (\*\*) Term: **14 Years**
- (21) Appl. No.: **29/356,828**
- (22) Filed: **Mar. 3, 2010**
- (51) **LOC (9) Cl.** ..... **21-02**
- (52) **U.S. Cl.** ..... **D21/686**
- (58) **Field of Classification Search** ..... D21/662,  
D21/670-671, 685-686, 688-689, 692, 694;  
482/52, 79-80, 121-123, 129-130, 140,  
482/142, 146-147  
See application file for complete search history.

6,740,008	B1 *	5/2004	Ho et al. ....	482/34
D525,317	S	7/2006	Grubisic et al.	
D562,918	S	2/2008	Tuller	
7,575,540	B1 *	8/2009	Dobrow et al. ....	482/142
7,674,216	B1 *	3/2010	Bolling	482/142
2004/0220030	A1 *	11/2004	Chu	482/142
2005/0009677	A1 *	1/2005	Yang	482/142
2006/0135331	A1 *	6/2006	Chin	482/140

\* cited by examiner

*Primary Examiner* — Susan E Krakower

(74) *Attorney, Agent, or Firm* — Brouse McDowell; Heather M. Barnes

(57) **CLAIM**

The ornamental design for an exercise riser, as shown and described.

**DESCRIPTION**

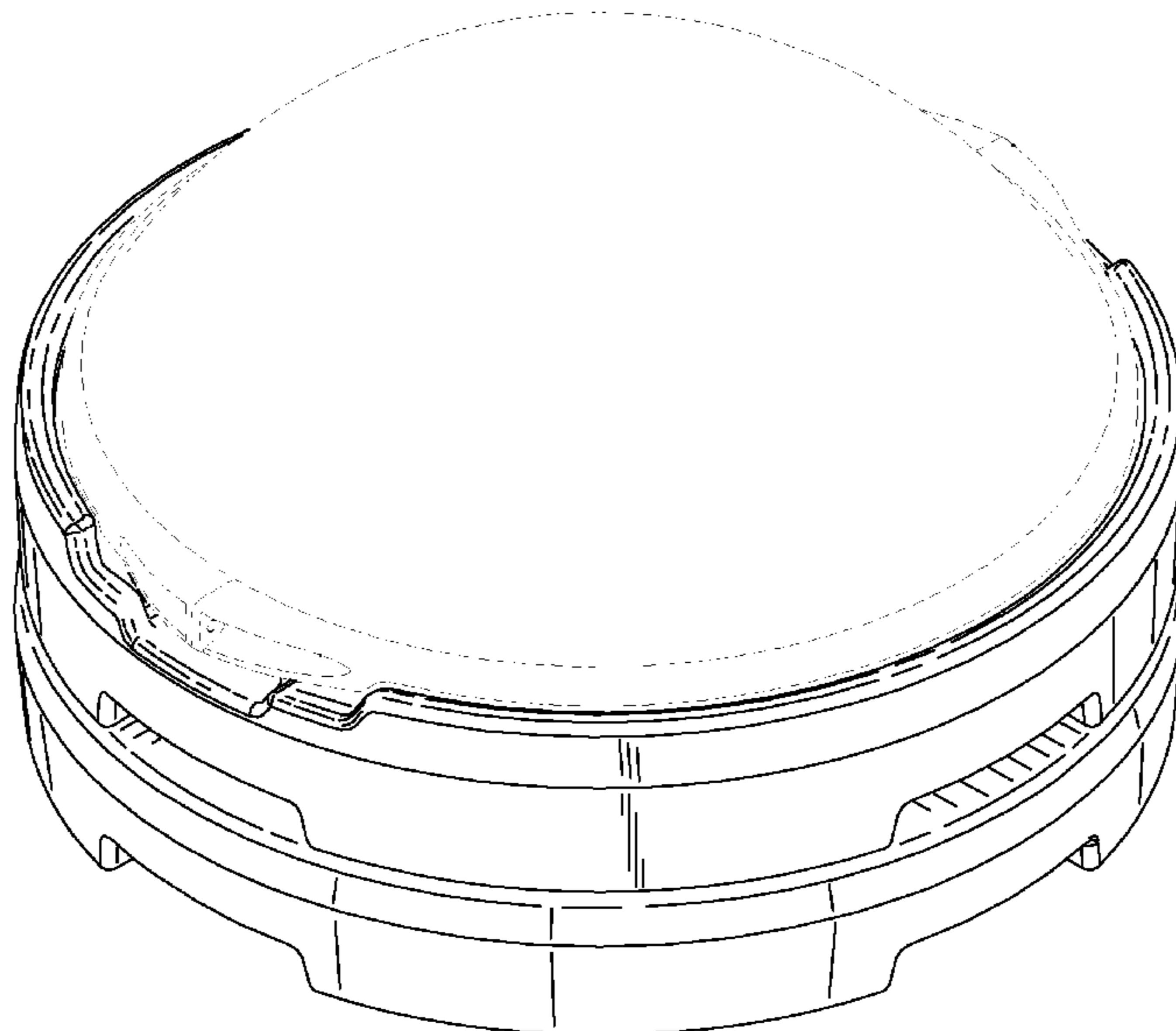
FIG. 1 is a front perspective view of the present invention;  
 FIG. 2 is a top view of the present invention;  
 FIG. 3 is a front elevational view of the present invention taken from line 3—3 of FIG. 2;  
 FIG. 4 is a side view of the present invention taken along line 4—4 of FIG. 2;  
 FIG. 5 is a top perspective view of the top riser of the present invention shown separately for clarity of illustration;  
 FIG. 6 is a bottom perspective view of FIG. 5;  
 FIG. 7 is a left view of FIG. 5;  
 FIG. 8 is a cross-section taken along line 8—8 of FIG. 5;  
 FIG. 9 is a top perspective view of the bottom riser of the present invention, shown separately for clarity of illustration;  
 FIG. 10 is a bottom perspective view of FIG. 9;  
 FIG. 11 is a left view of FIG. 9; and,  
 FIG. 12 is a cross-section taken along line 12—12 of FIG. 9.  
 The broken lines in the drawings represent environmental structure and form no part of the claimed design.

**1 Claim, 7 Drawing Sheets**

(56) **References Cited**

U.S. PATENT DOCUMENTS

2,991,589	A *	7/1961	Ayala	446/192
3,630,157	A	12/1971	Ortenblad	
4,203,525	A	5/1980	Okubo	
4,678,234	A	7/1987	Wilson	
4,779,297	A *	10/1988	Sturges	5/630
4,826,158	A	5/1989	Fields, Jr.	
5,154,578	A	10/1992	Miracourt et al.	
5,154,678	A	10/1992	Adamczyk et al.	
5,158,512	A	10/1992	Irwin et al.	
D347,868	S	6/1994	Hill	
5,318,489	A	6/1994	Irwin	
D366,085	S *	1/1996	Millington et al.	D21/686
D413,989	S	9/1999	Dupont	
D476,705	S *	7/2003	Dillard	D21/662
6,702,726	B2 *	3/2004	Lin	482/148
6,719,676	B1 *	4/2004	Hsu	482/121
D489,423	S	5/2004	Fan et al.	



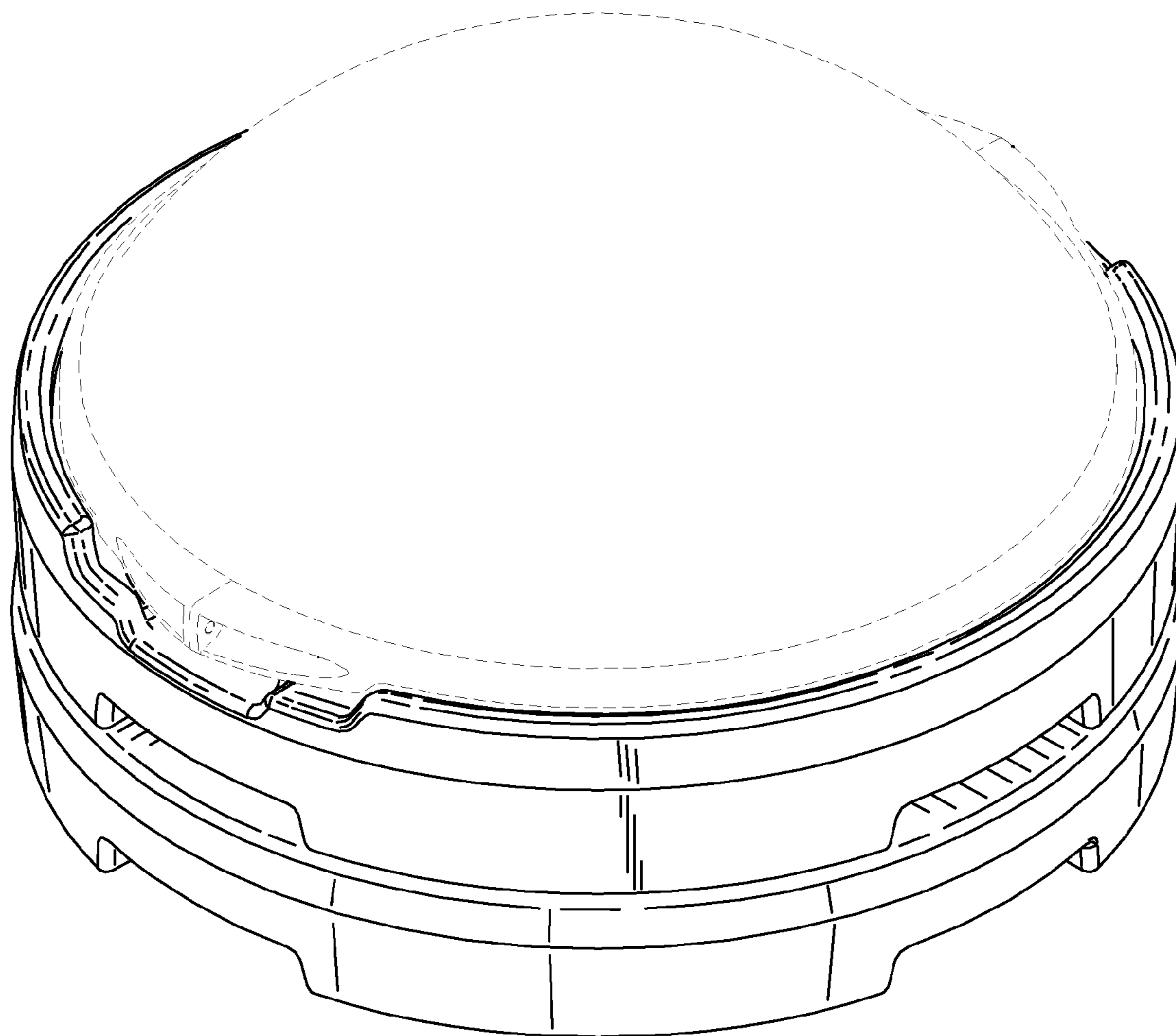


FIG. 1

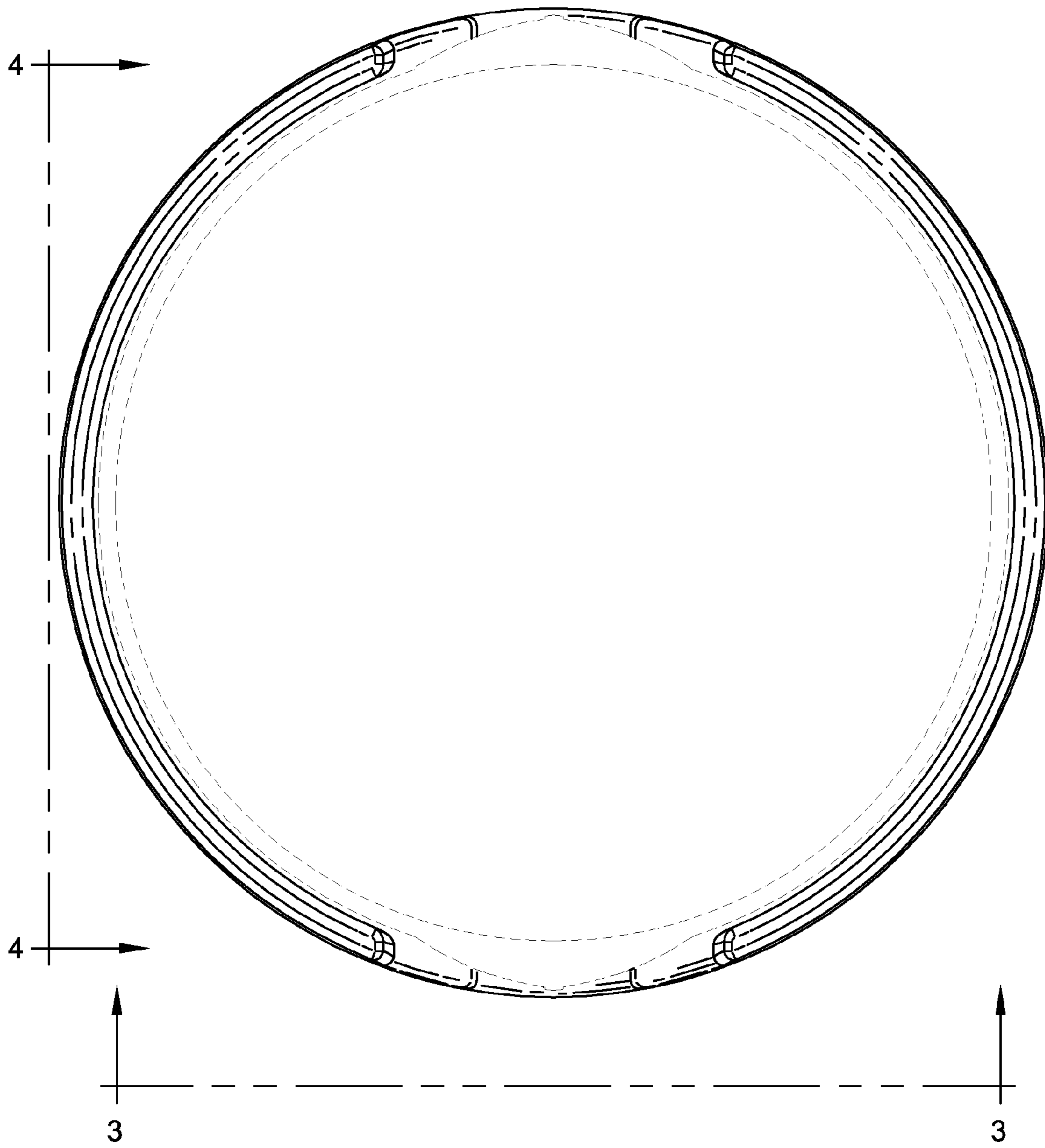


FIG. 2

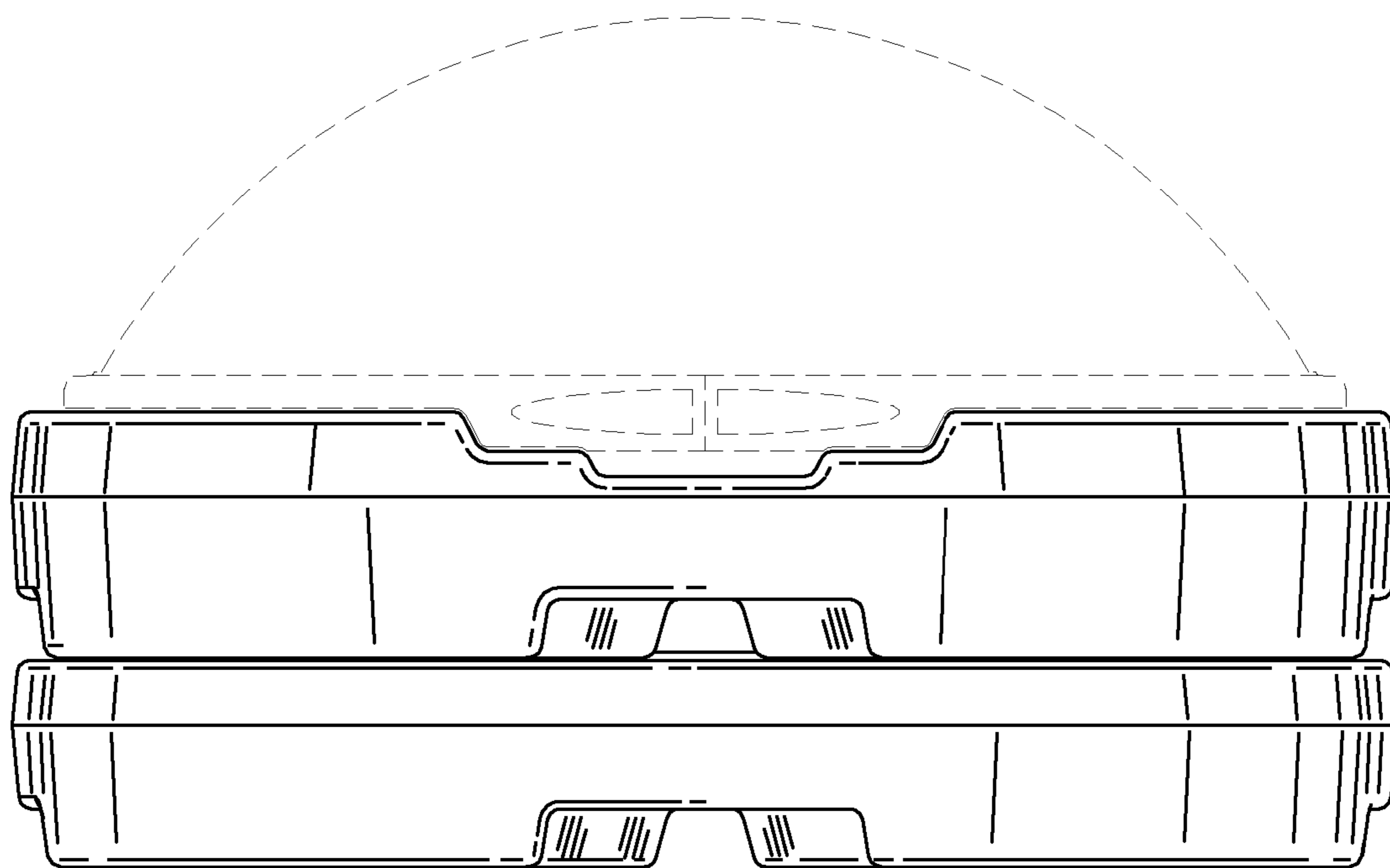


FIG. 3

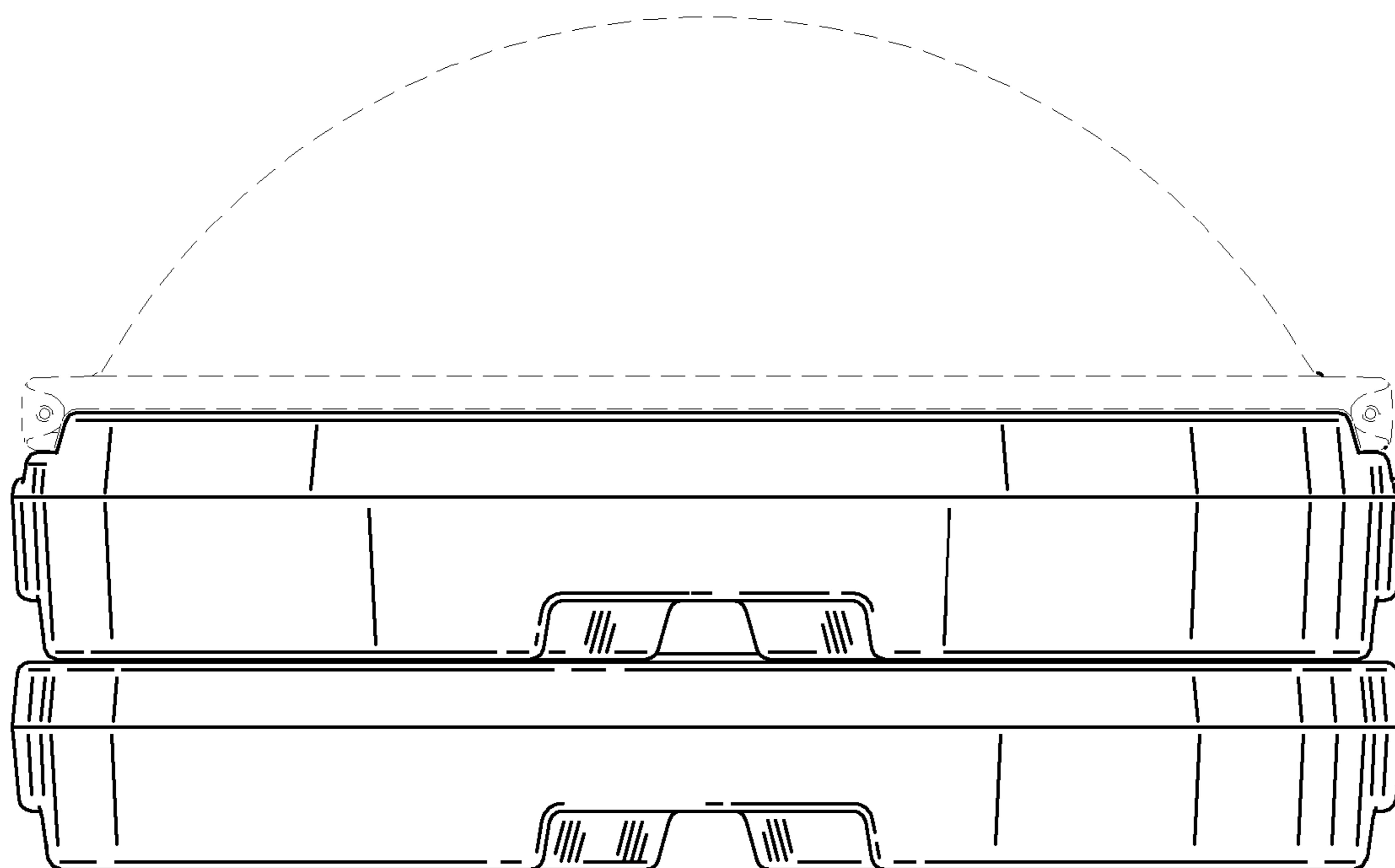
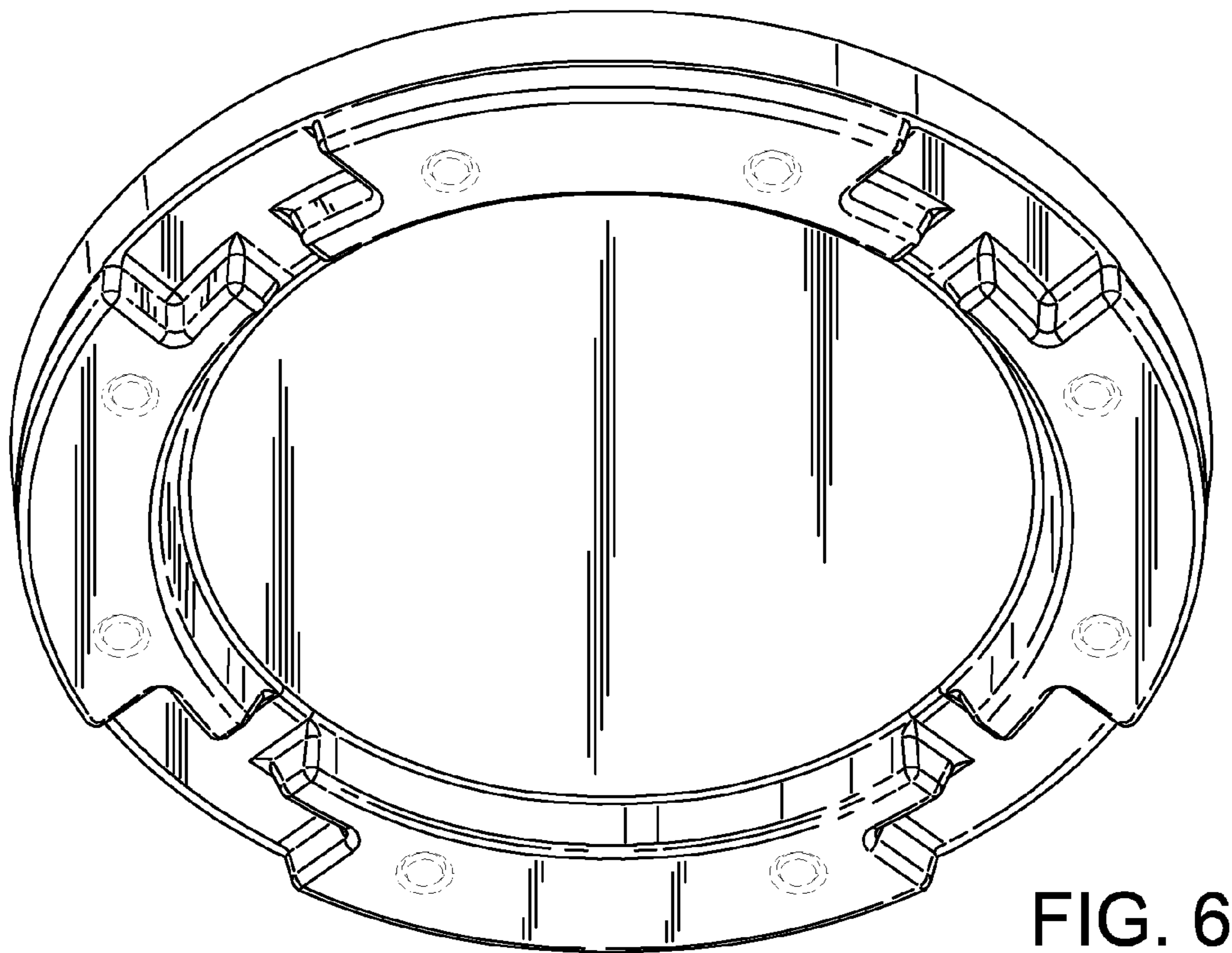
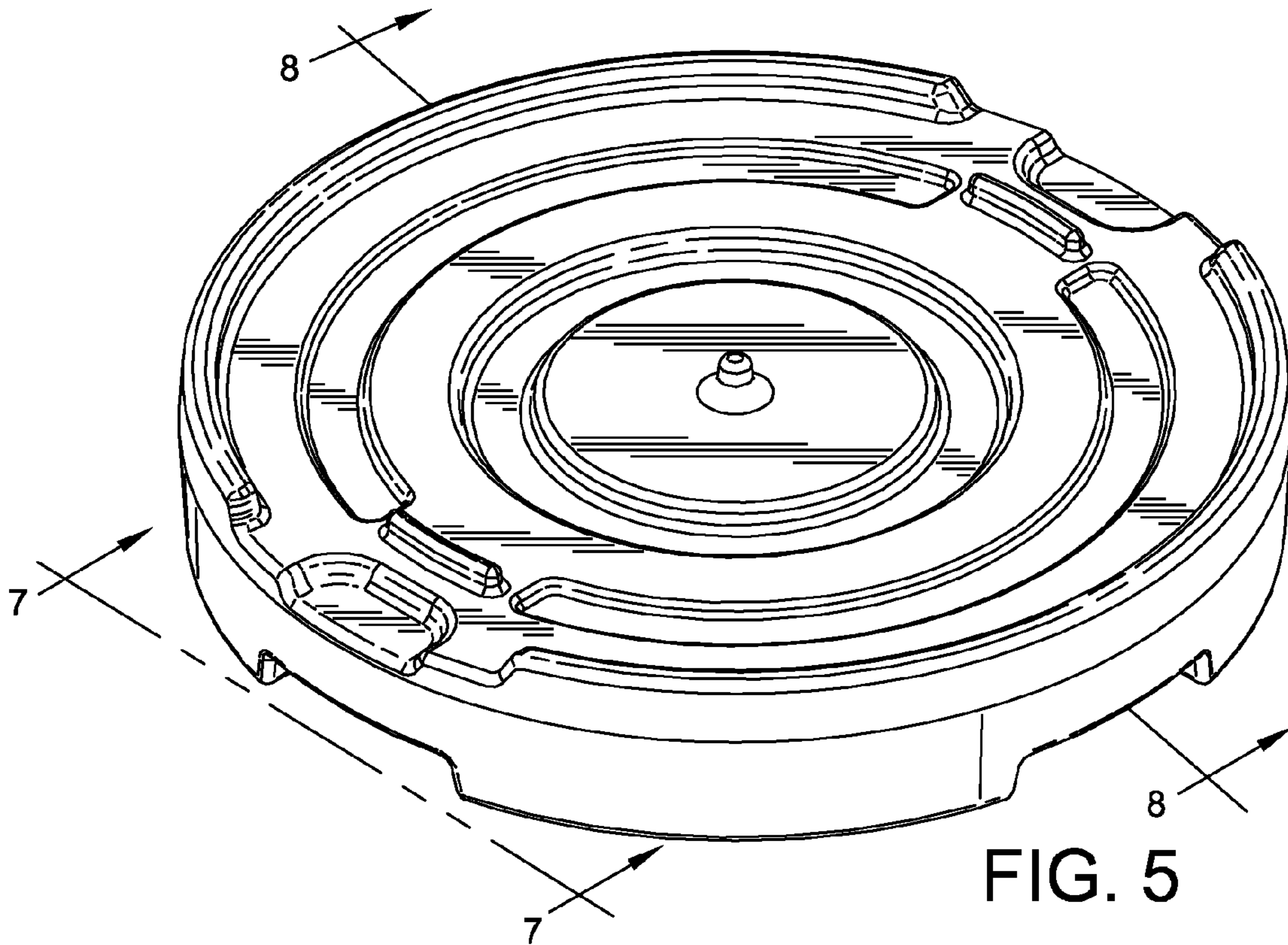


FIG. 4



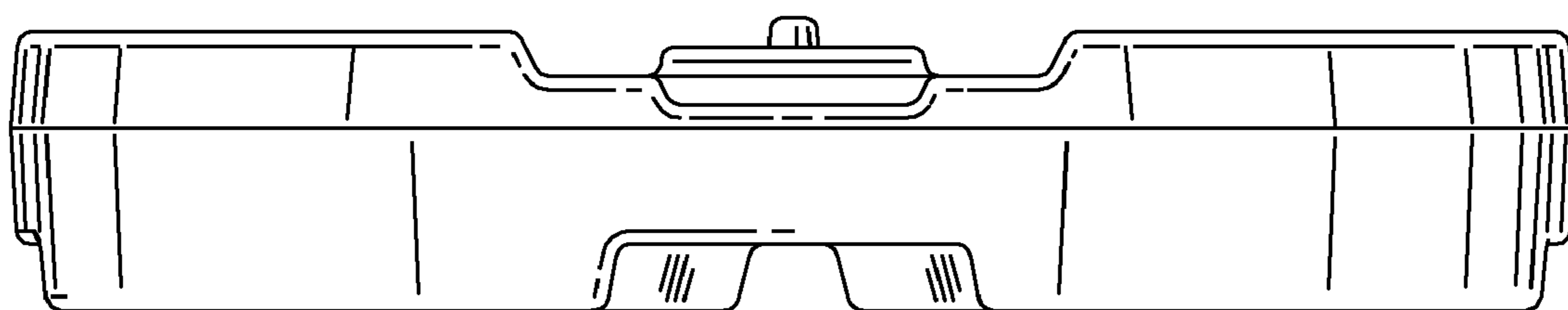


FIG. 7

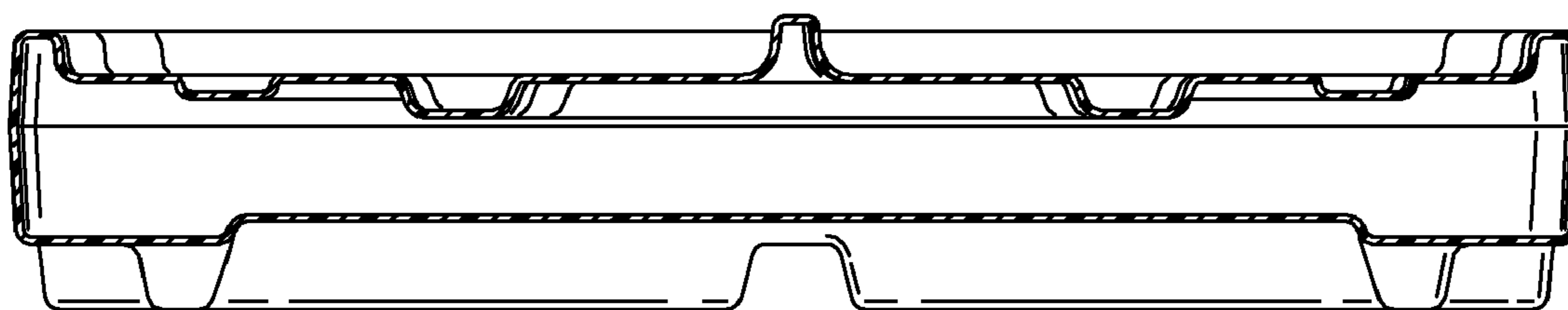


FIG. 8

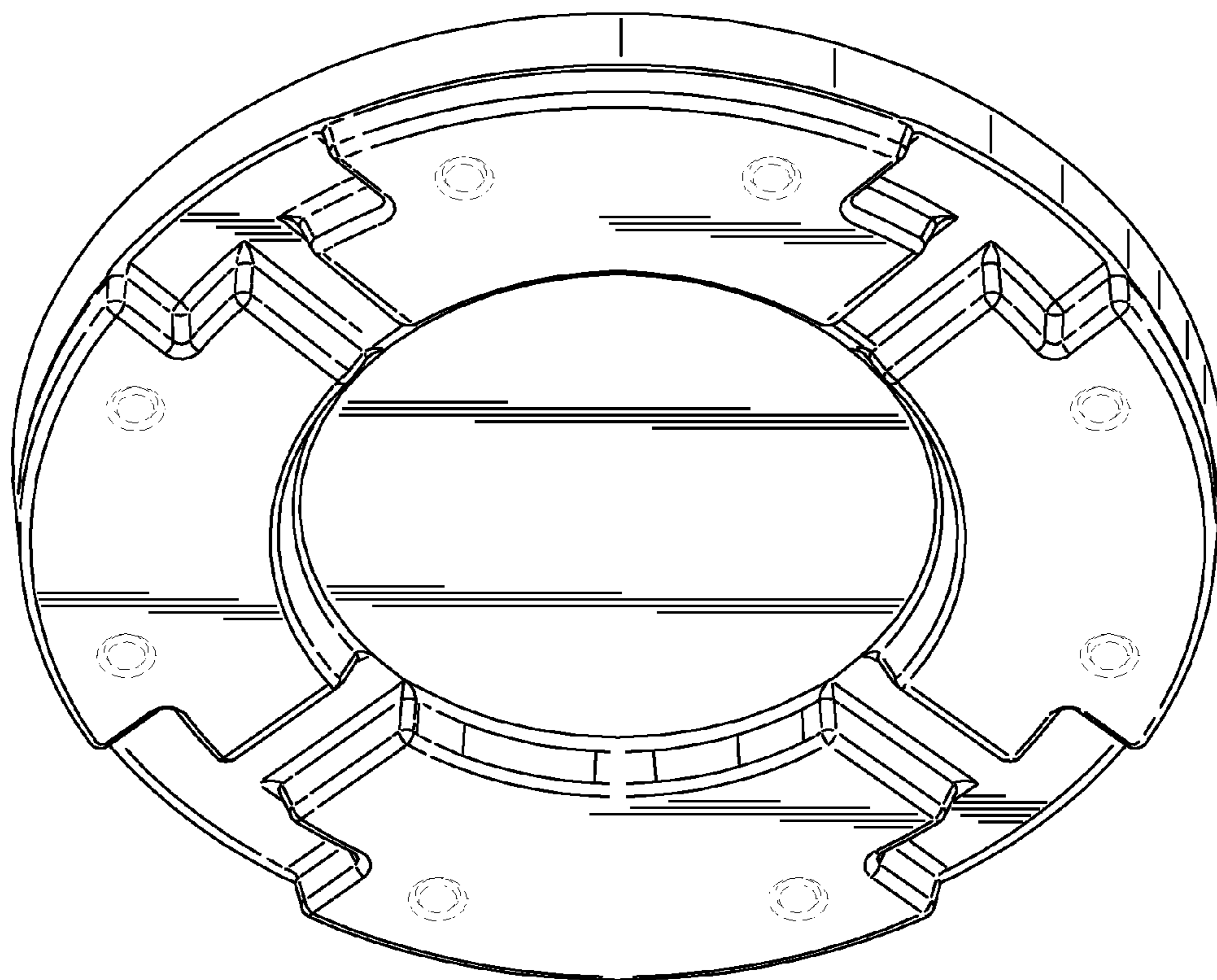
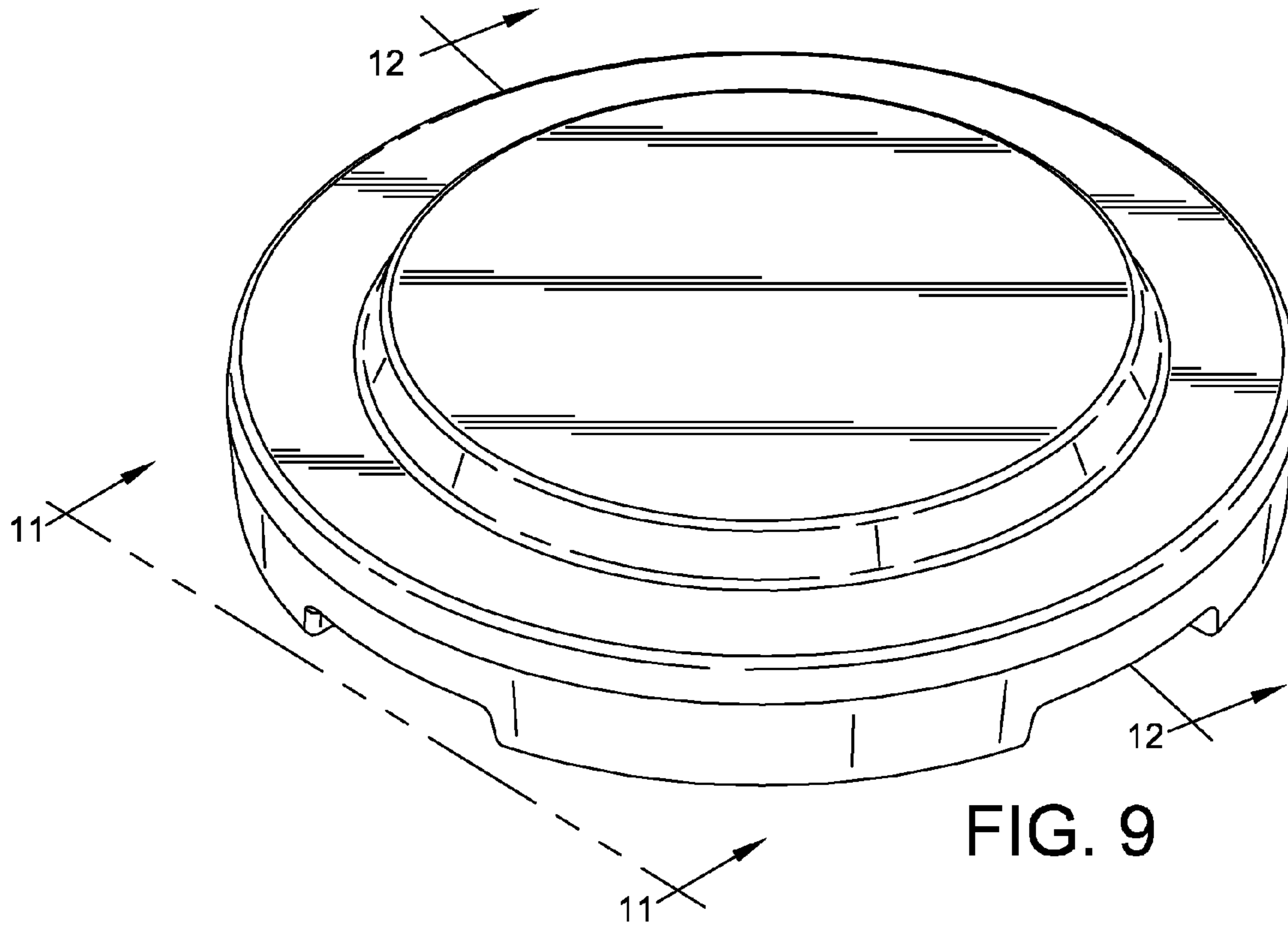


FIG. 10

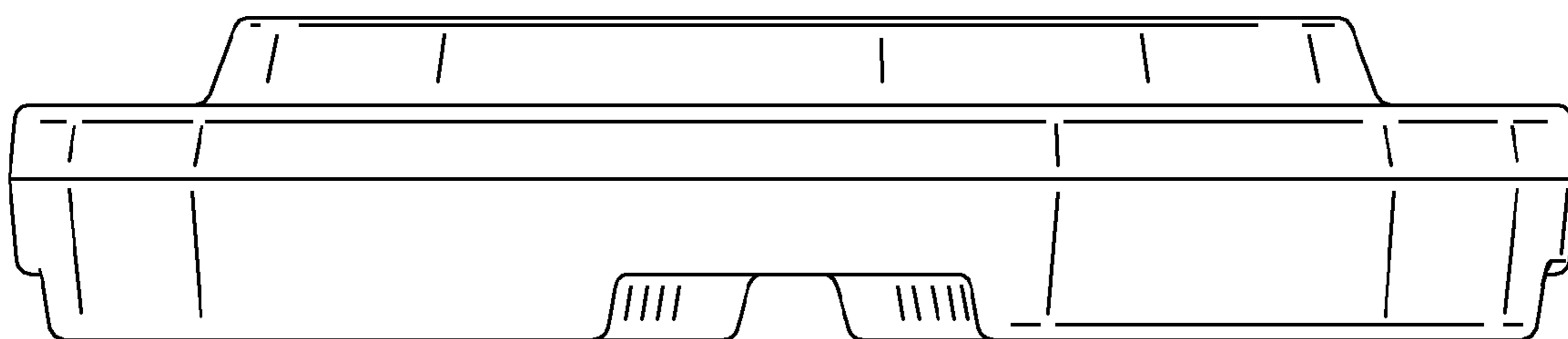


FIG. 11

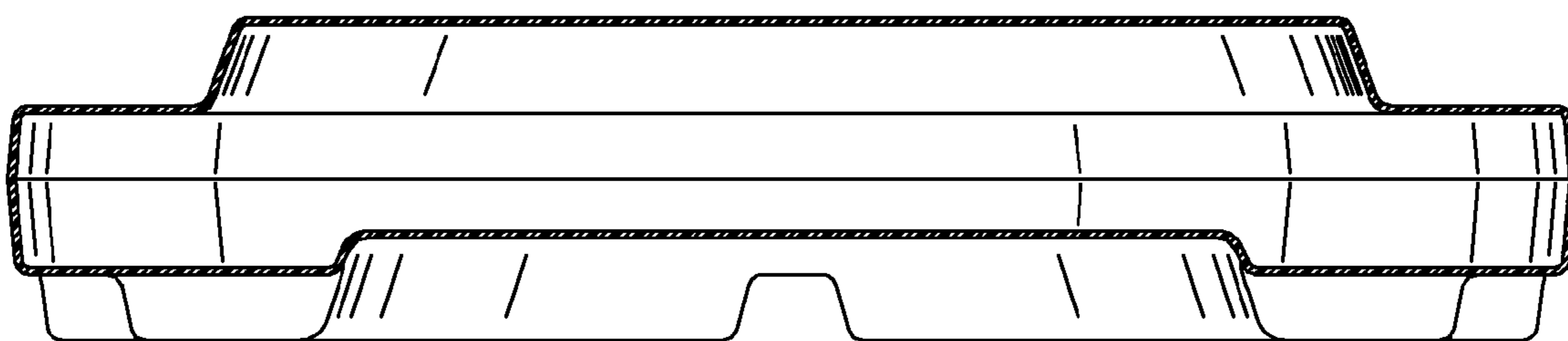


FIG. 12