

US00D642633S

(12) **United States Design Patent**
Walterscheid

(10) **Patent No.:** **US D642,633 S**

(45) **Date of Patent:** **** Aug. 2, 2011**

(54) **FLYING DISC**

(76) **Inventor:** **Steve Walterscheid, Banks, OR (US)**

(**) **Term:** **14 Years**

(21) **Appl. No.:** **29/368,059**

(22) **Filed:** **Aug. 17, 2010**

(51) **LOC (9) Cl.** **21-01**

(52) **U.S. Cl.** **D21/444; D21/390**

(58) **Field of Classification Search** D21/385-386,
D21/390, 436, 441-444, 453; 446/34, 36,
446/61, 255; D30/160; 273/288-291; 473/569,
473/588-589, 590

See application file for complete search history.

(56) **References Cited**

U.S. PATENT DOCUMENTS

2,226,516	A *	12/1940	Ross	473/588
3,531,122	A *	9/1970	Peebles	273/290
4,151,674	A *	5/1979	Klahn et al.	446/34
4,687,210	A *	8/1987	Michel	473/589
4,790,788	A *	12/1988	Hill	446/61
4,850,923	A *	7/1989	Etheridge	446/34
5,319,531	A *	6/1994	Kutnyak	473/588

D368,118	S *	3/1996	Bateham	D21/436
D384,113	S *	9/1997	Subers et al.	D21/390
5,803,459	A *	9/1998	Casas-Salat	273/288
5,816,880	A *	10/1998	Forti et al.	446/61
6,048,245	A *	4/2000	Forti et al.	446/61
D448,812	S *	10/2001	Vong et al.	D21/386
6,599,162	B2 *	7/2003	Huset	446/46
D542,359	S *	5/2007	Vodhanel, Jr.	D21/443

* cited by examiner

Primary Examiner — Sandra Morris

(74) *Attorney, Agent, or Firm* — LaMorte & Associates

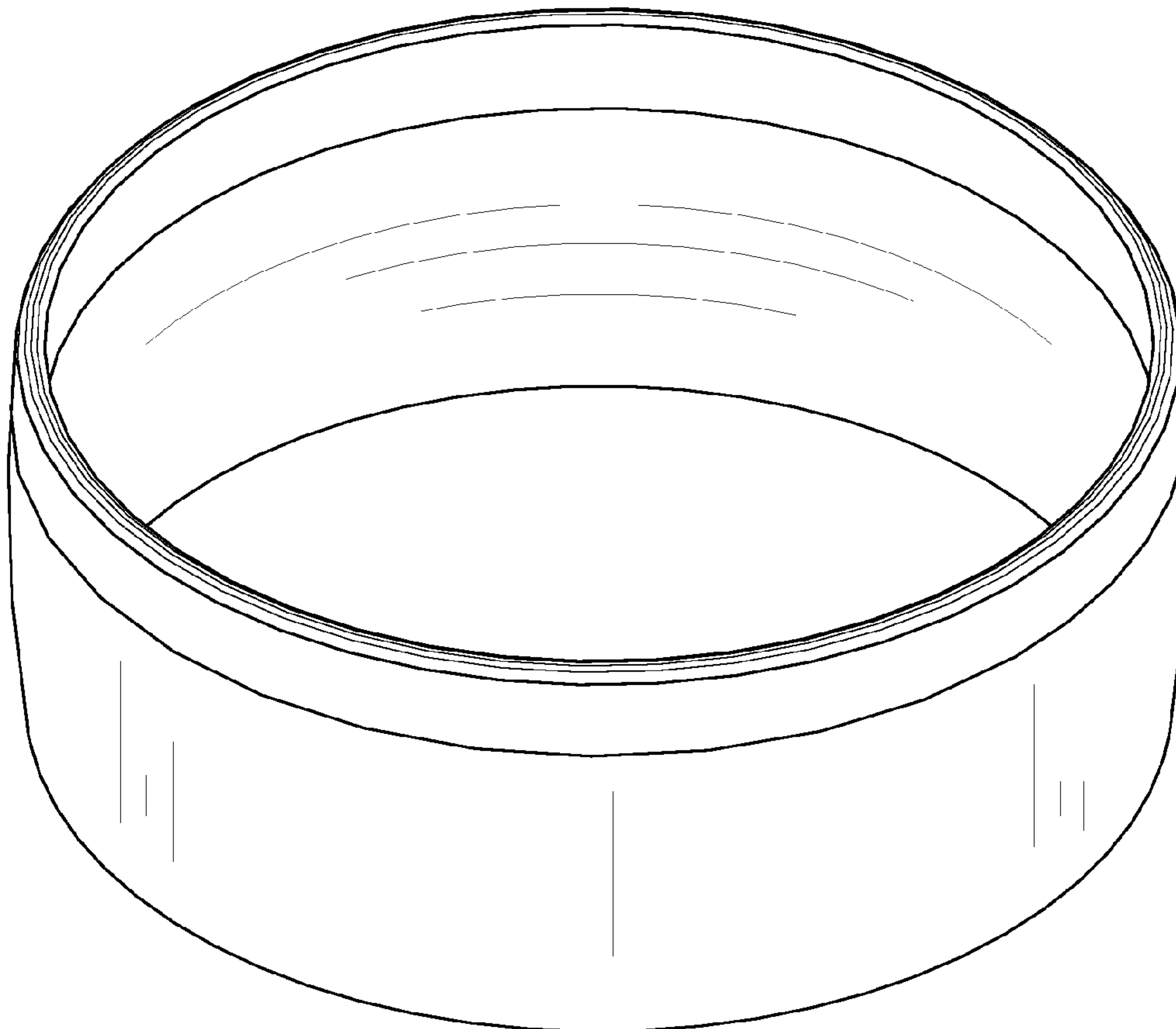
(57) **CLAIM**

The ornamental design for a flying disc, as shown and described.

DESCRIPTION

FIG. 1 is a top perspective view of the flying disc;
FIG. 2 is a bottom perspective view thereof;
FIG. 3 is a front view thereof, the rear view being the same;
FIG. 4 is a right side view thereof, the left side view being the same;
FIG. 5 is a top view thereof; and,
FIG. 6 is a bottom view thereof.

1 Claim, 5 Drawing Sheets



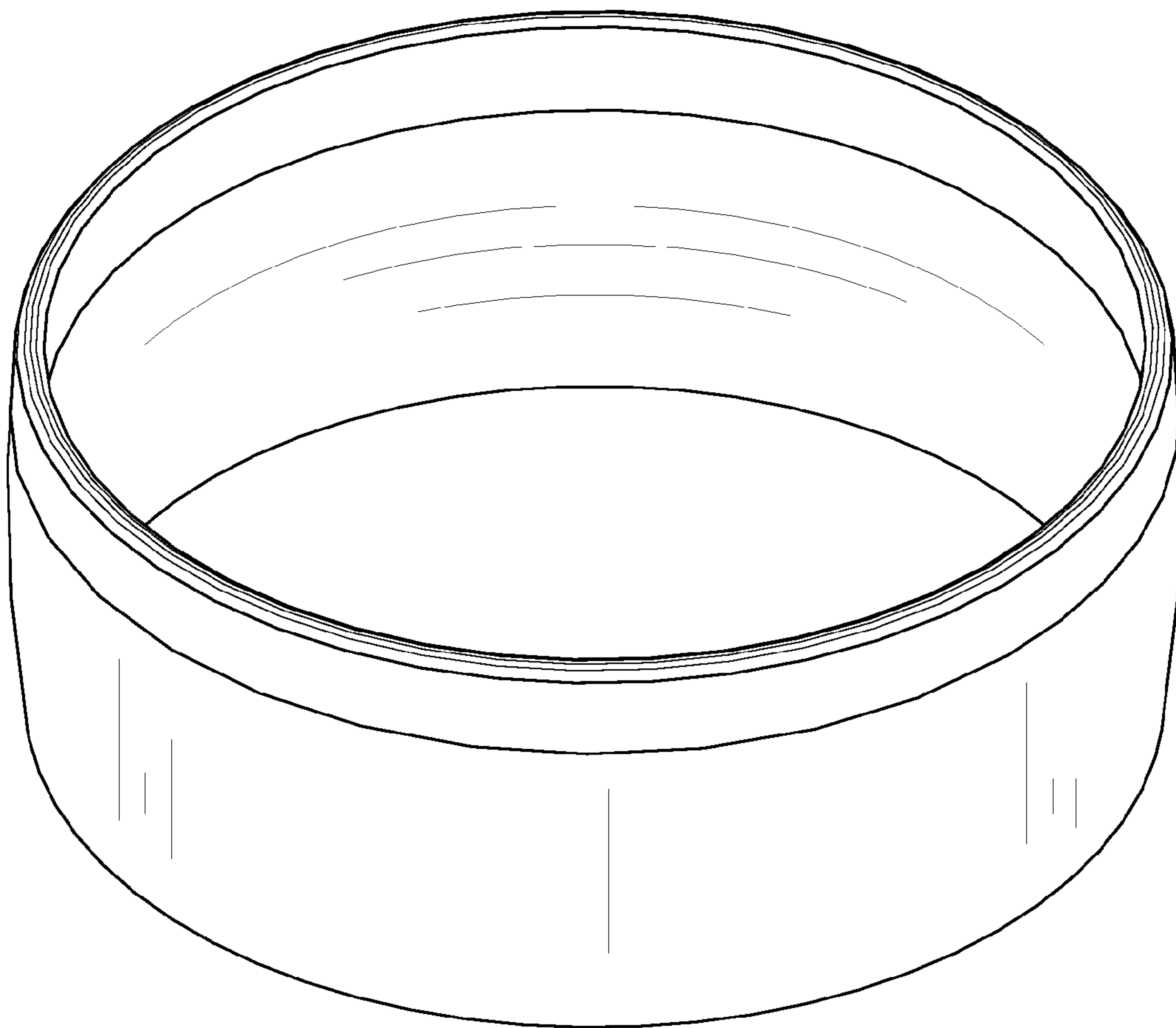


FIG. 1

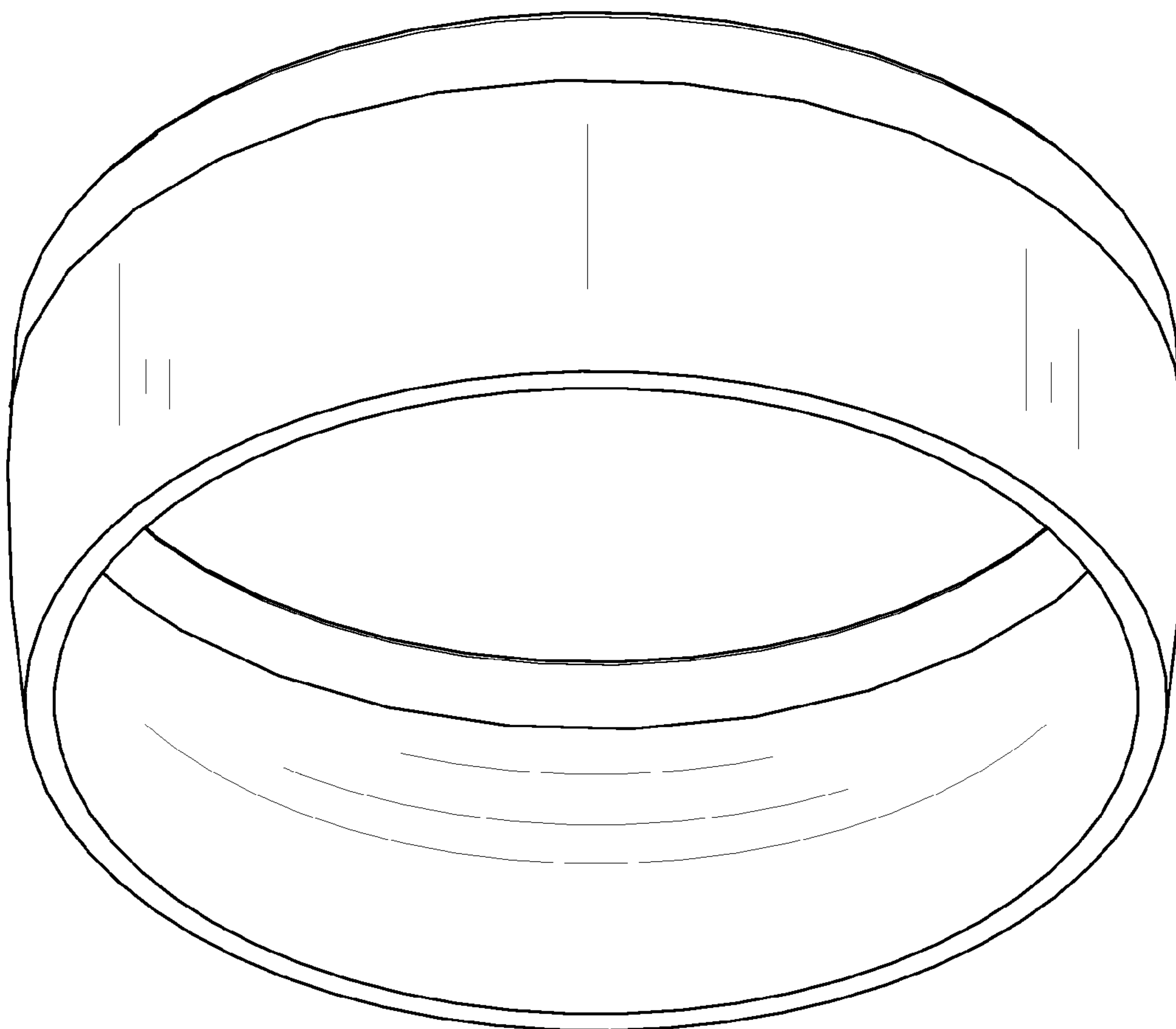


FIG. 2



FIG. 3

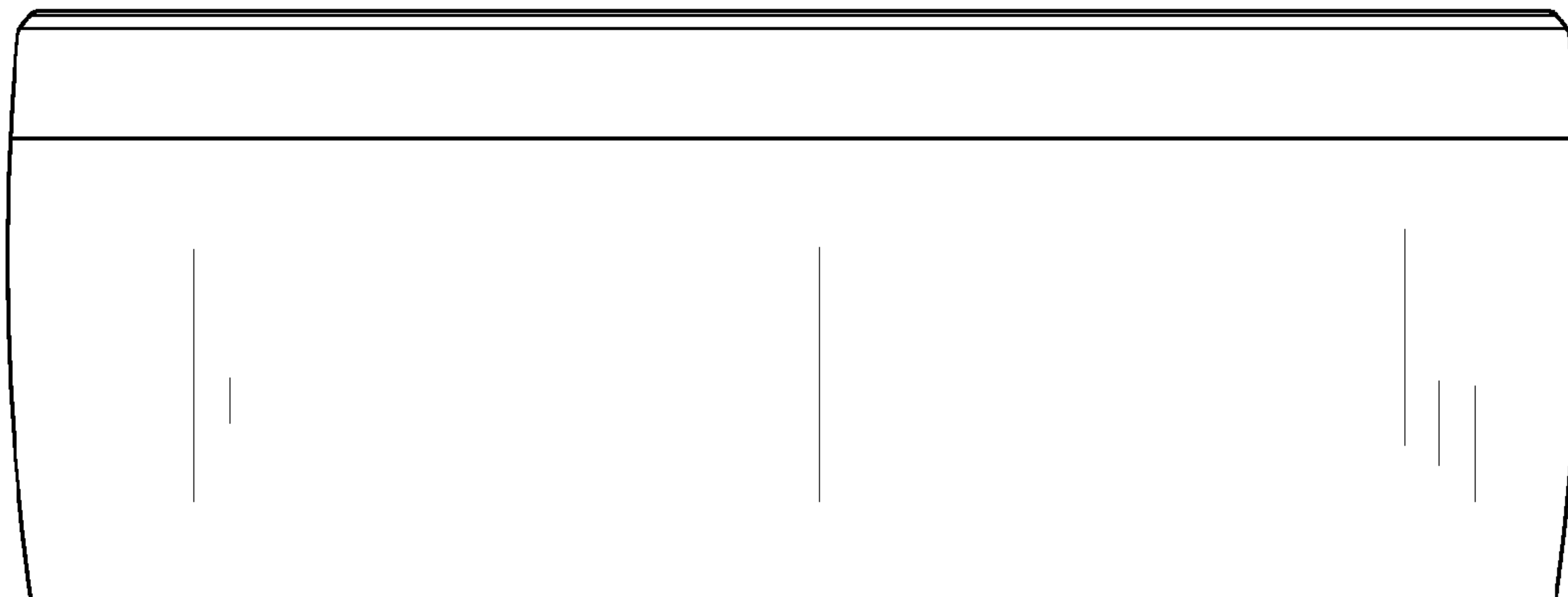


FIG. 4

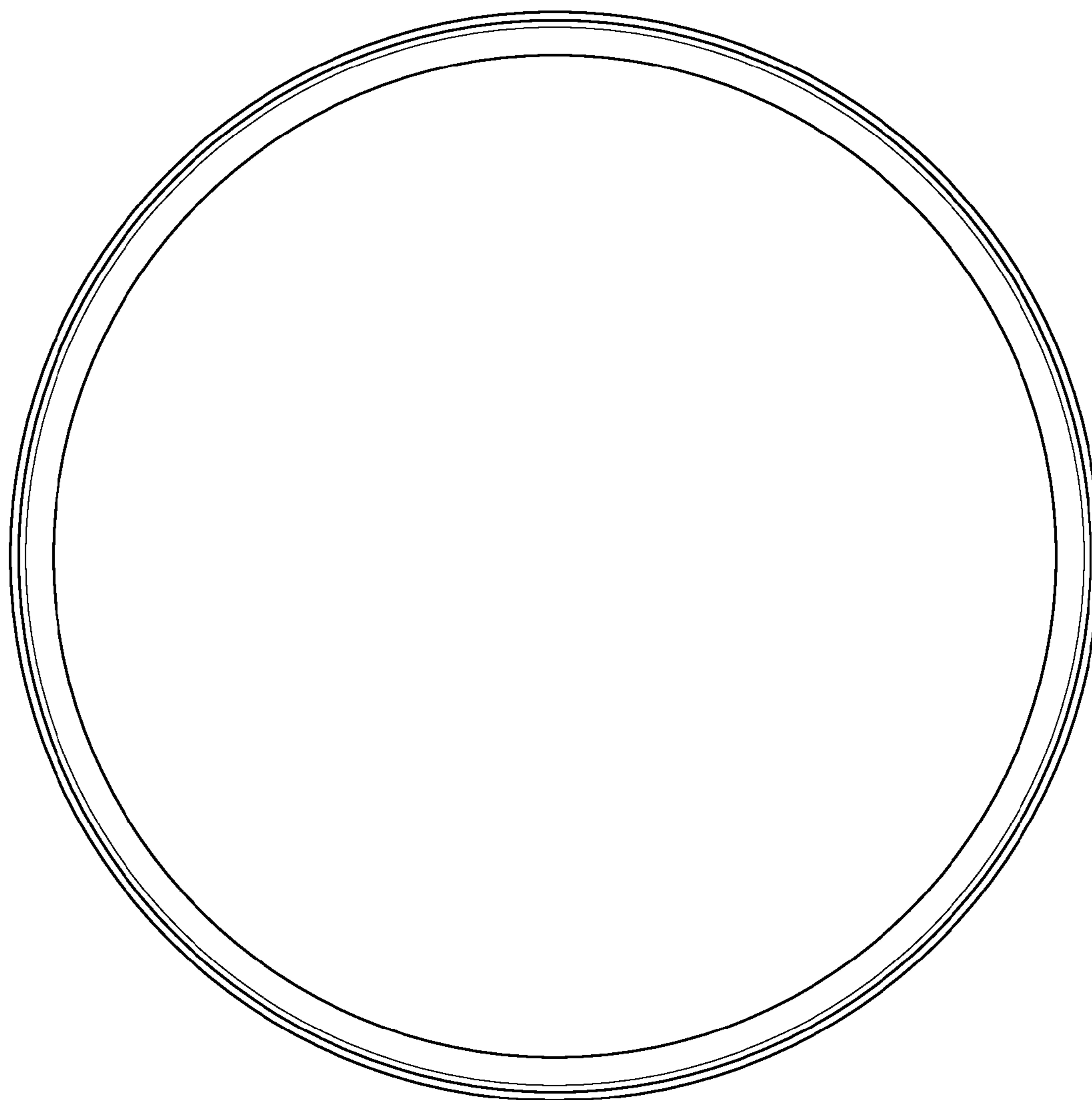


FIG. 5

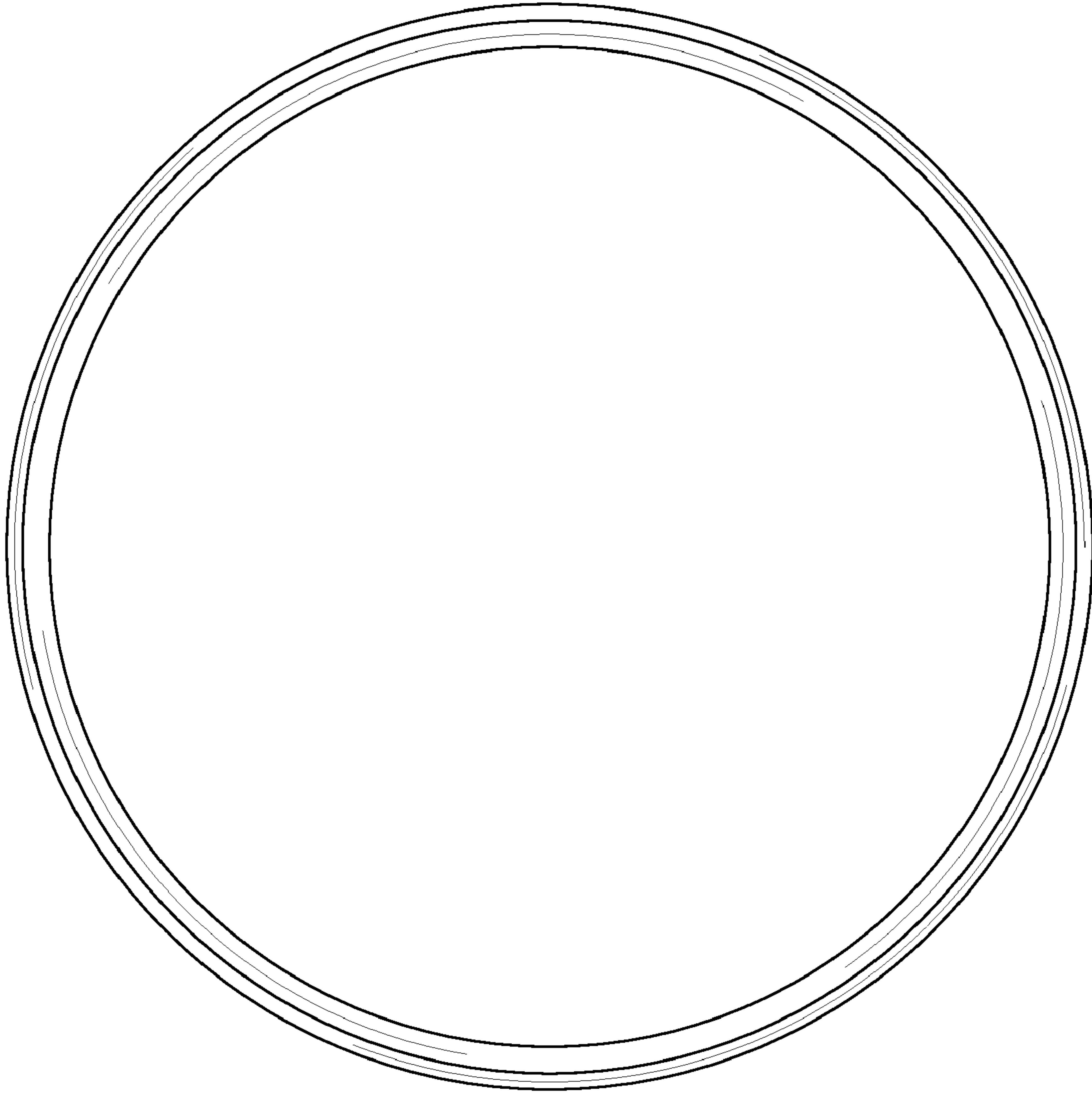


FIG. 6