



US00D642629S

(12) **United States Design Patent**
Lo et al.

(10) **Patent No.:** **US D642,629 S**

(45) **Date of Patent:** **** *Aug. 2, 2011**

(54) **BUBBLE MACHINE**

(75) Inventors: **Lap Kiu Lo**, Hong Kong (CN); **Wai Chung Lo**, Hong Kong (CN)

(73) Assignee: **Wing Hing Manufacturing Co. Ltd.**, Hong Kong (CN)

(**) Term: **14 Years**

(21) Appl. No.: **29/365,143**

(22) Filed: **Jul. 2, 2010**

(51) **LOC (9) Cl.** **21-01**

(52) **U.S. Cl.** **D21/401**

(58) **Field of Classification Search** D21/401,
D21/405, 411, 419-436, 438, 447, 448, 451-454,
D21/592, 597, 599; D23/317-383; D14/176,
D14/177, 189, 200, 203.2, 207; 446/15-21,
446/72-78, 176, 178, 217, 218, 230-232,
446/236-238, 267, 409, 411-414, 475, 491
See application file for complete search history.

(56) **References Cited**

U.S. PATENT DOCUMENTS

11,457 A	8/1854	Jackson	
D2,992 S	3/1868	White	
185,414 A	12/1876	Wolfrum	
276,285 A	4/1883	Rhodes	
342,028 A	5/1886	Miller	
D16,781 S	7/1886	Cox	
371,805 A	10/1887	Vanderman	
437,614 A	9/1890	McDonald	
485,584 A	11/1892	Morgan	
D24,534 S	8/1895	Hirsch	
D44,625 S	9/1913	Yoos	
1,223,372 A	4/1917	Zerega	
D99,501 S *	5/1936	Devore	D23/379
2,187,145 A	1/1940	Brown	
D137,596 S *	4/1944	Green	D23/328
D152,841 S *	2/1949	Thompson et al.	D23/336
D153,814 S	7/1949	Margolis	

D171,089 S	12/1953	Hills	
2,736,988 A	3/1956	Fisher	
2,770,074 A	11/1956	Jones et al.	
D180,233 S	5/1957	Incera	
2,858,639 A	11/1958	Lawrence	
D188,566 S	8/1960	Morian	
2,987,847 A *	6/1961	Jones	446/17
D200,076 S	1/1965	Hill	
3,197,918 A	8/1965	Coggeshall	
3,246,418 A *	4/1966	Andersen et al.	446/16
D216,820 S	3/1970	Dunbar	
3,626,631 A *	12/1971	Lerman	446/15
D222,842 S	1/1972	Merck et al.	
3,708,909 A	1/1973	Winston	
3,913,260 A *	10/1975	Corbett	446/16
3,968,262 A	7/1976	Hodska	
4,128,962 A *	12/1978	Anderson	446/15
4,133,138 A	1/1979	Coons	
4,173,096 A	11/1979	Meyer et al.	
4,276,713 A *	7/1981	Crosbie	446/21

(Continued)

Primary Examiner — Catherine Tuttle

(74) *Attorney, Agent, or Firm* — Baker & McKenzie LLP

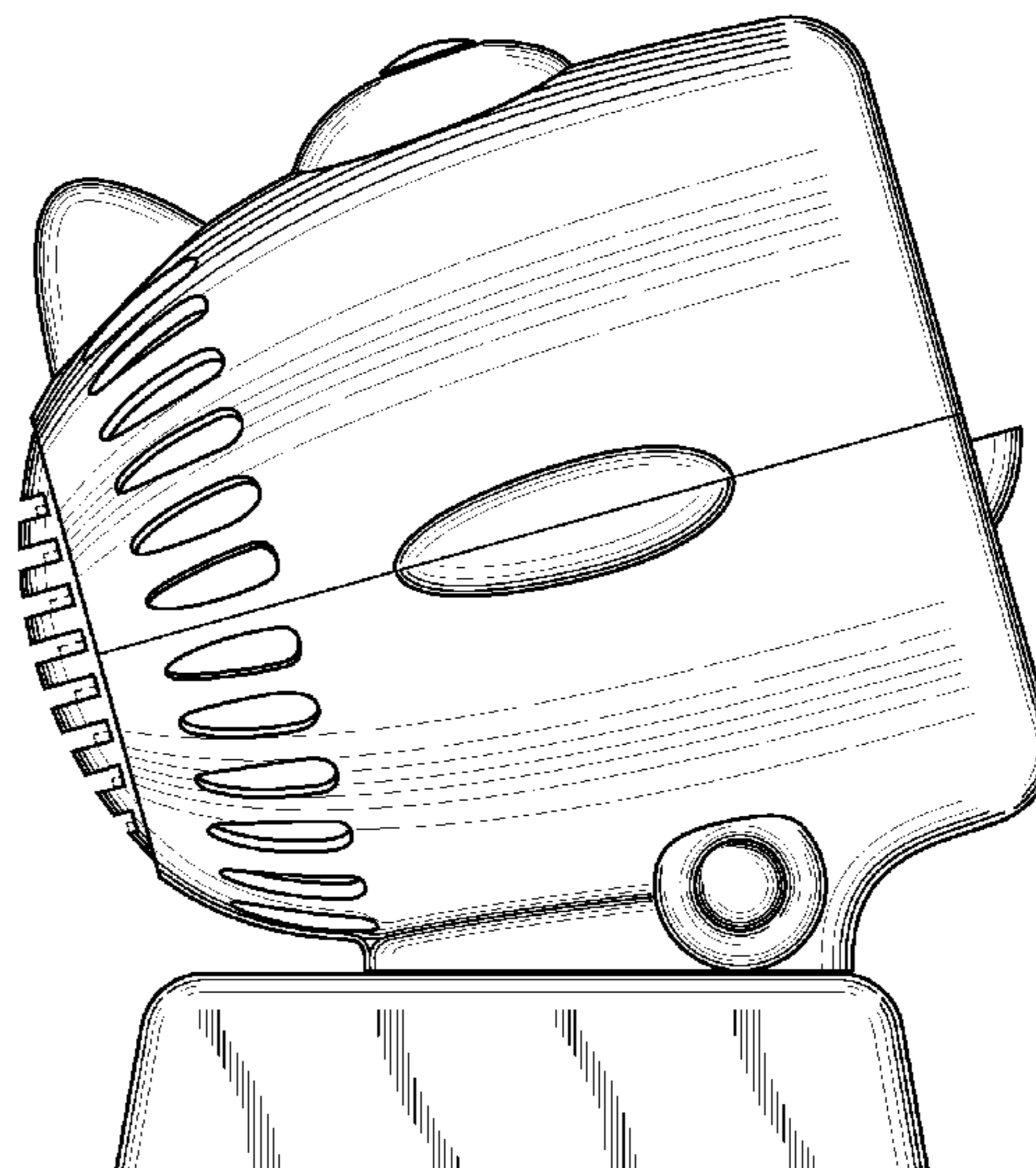
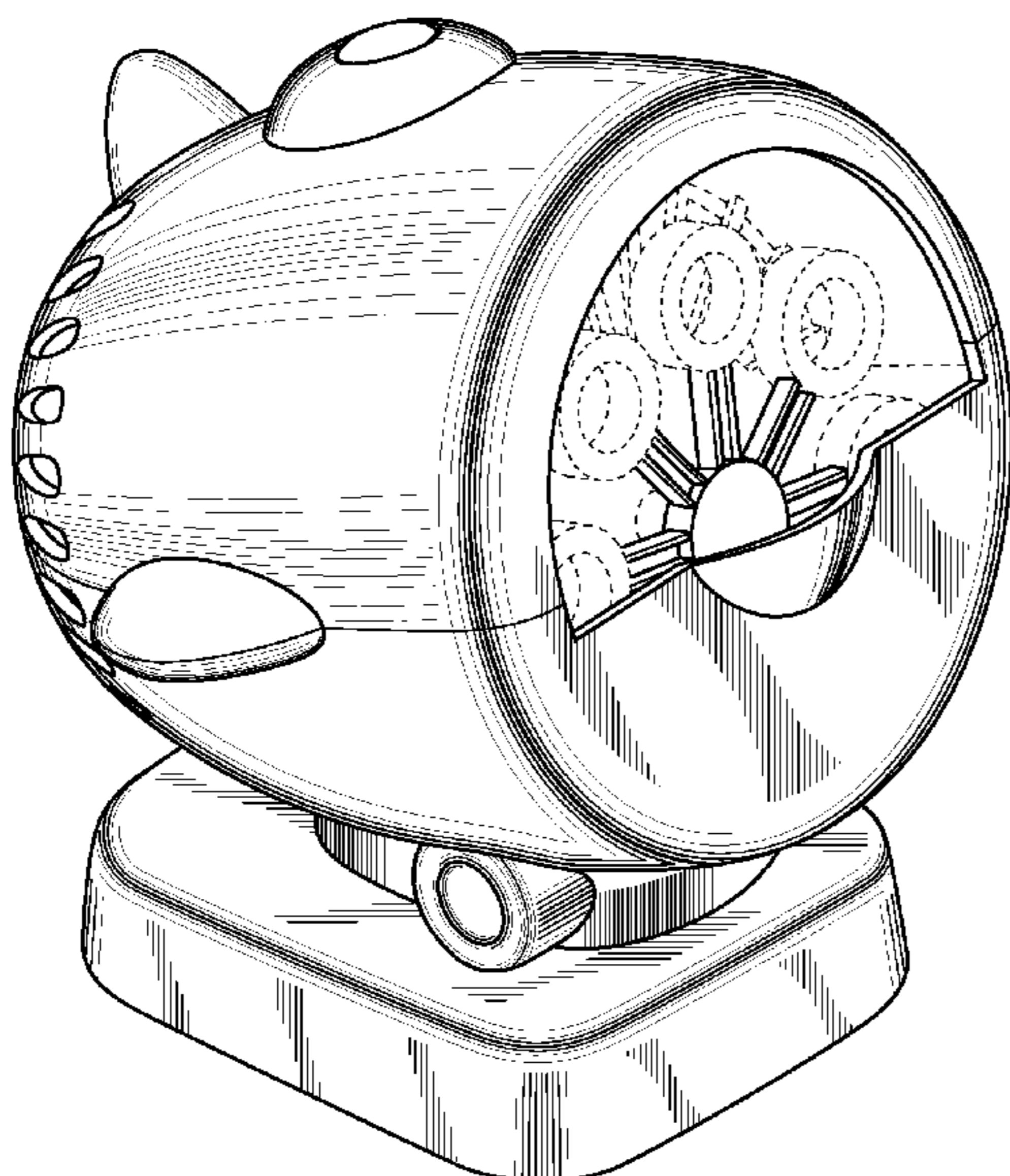
(57) **CLAIM**

The ornamental design for a bubble machine, as shown and described.

DESCRIPTION

FIG. 1 is a perspective view of a bubble machine in accordance with our design;
FIG. 2 is a side elevation view thereof, the opposite view being a mirror image of that shown;
FIG. 3 is a front elevation view thereof;
FIG. 4 is a back elevation view thereof;
FIG. 5 is a top plan view thereof; and,
FIG. 6 is a bottom plan view thereof.
The broken lines are included for the purpose of illustrating portions of the bubble machine that form no part of the claimed design.

1 Claim, 3 Drawing Sheets



US D642,629 S

Page 2

U.S. PATENT DOCUMENTS

D273,215 S	3/1984	Sahler		D441,608 S	5/2001	Tsunis et al.
4,454,204 A	6/1984	Posey		D446,823 S	8/2001	Podd et al.
D278,736 S	5/1985	Klawitter		6,287,165 B1	9/2001	Lin
D280,699 S	9/1985	Martin et al.		6,524,155 B1	2/2003	Lin
D280,700 S	9/1985	Martin et al.		6,524,161 B1	2/2003	Asami
4,556,392 A	12/1985	Chang		D474,237 S	5/2003	Levine
D282,943 S	3/1986	Langton		6,595,822 B1	7/2003	Thai
D291,280 S	8/1987	Albright		D490,861 S *	6/2004	Buzzelli D21/401
D292,991 S	12/1987	Adler		D493,941 S	8/2004	Shecter
D293,690 S	1/1988	Adler		D504,163 S	4/2005	Williams-Nicholas
4,764,141 A	8/1988	D'Andrade		D507,305 S	7/2005	Dill
D309,474 S *	7/1990	Murai D19/75		D508,092 S	8/2005	Williams-Nicholas
D318,304 S	7/1991	Neuroth et al.		6,953,376 B1 *	10/2005	Kim et al. 446/15
D320,053 S	9/1991	Klawitter		D527,678 S	9/2006	Warner
5,183,428 A	2/1993	Lin		D528,536 S	9/2006	Topping
D340,078 S	10/1993	Turner		7,144,291 B2	12/2006	Thai
D349,009 S	7/1994	Minor		D537,730 S	3/2007	Shimizu et al.
D349,136 S	7/1994	Pachol et al.		D537,731 S	3/2007	Shimizu et al.
5,360,362 A	11/1994	Cernansky et al.		D551,721 S	9/2007	Cooper
D353,844 S	12/1994	Chiang		D553,443 S	10/2007	Hutzler et al.
5,507,401 A	4/1996	Huang		D554,200 S	10/2007	Cooper
D373,930 S	9/1996	Gruneisen, III		D566,796 S	4/2008	Feeney
5,653,620 A	8/1997	Lin		D577,389 S *	9/2008	Lo et al. D21/401
D408,276 S	4/1999	Sims et al.		7,470,165 B2	12/2008	Ivanic et al.
D409,084 S	5/1999	Sims et al.		D627,403 S *	11/2010	Lo D21/401
D409,715 S	5/1999	Cruz et al.		2002/0049021 A1	4/2002	Hornsby et al.
D420,003 S	2/2000	Dervish		2002/0077002 A1	6/2002	Harasawa et al.
D420,255 S	2/2000	D'Arrigo		2002/0090878 A1	7/2002	Holmes
D423,298 S	4/2000	Hansen		2004/0198133 A1	10/2004	Bianco et al.
D424,882 S	5/2000	Santiago et al.		2006/0052028 A1 *	3/2006	Thai 446/16
D425,706 S	5/2000	Calderone		2007/0270073 A1	11/2007	Thai
6,059,629 A	5/2000	Lin		2008/0274662 A1	11/2008	Lo et al.
6,132,125 A	10/2000	Lin				

* cited by examiner

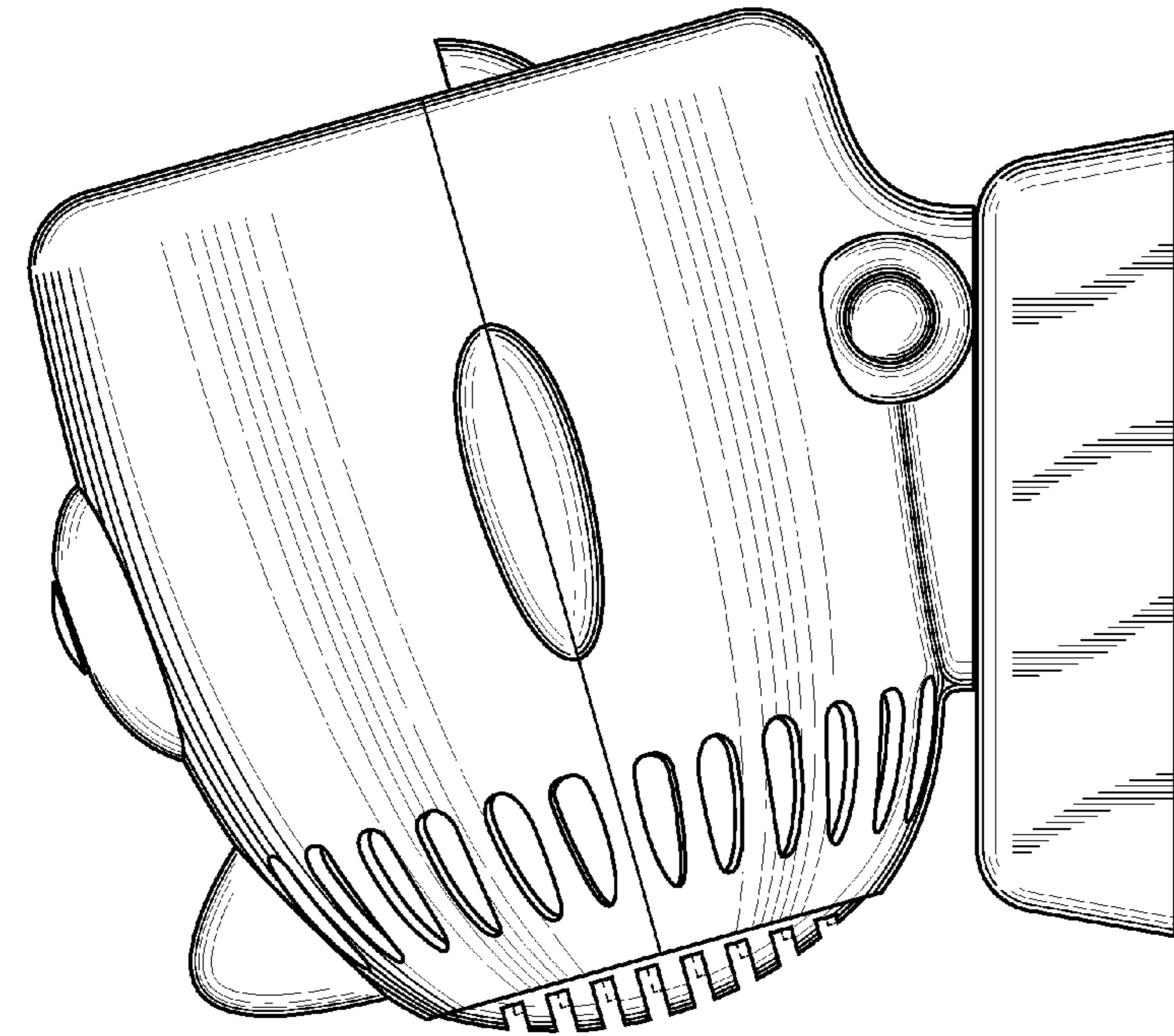


Fig.2

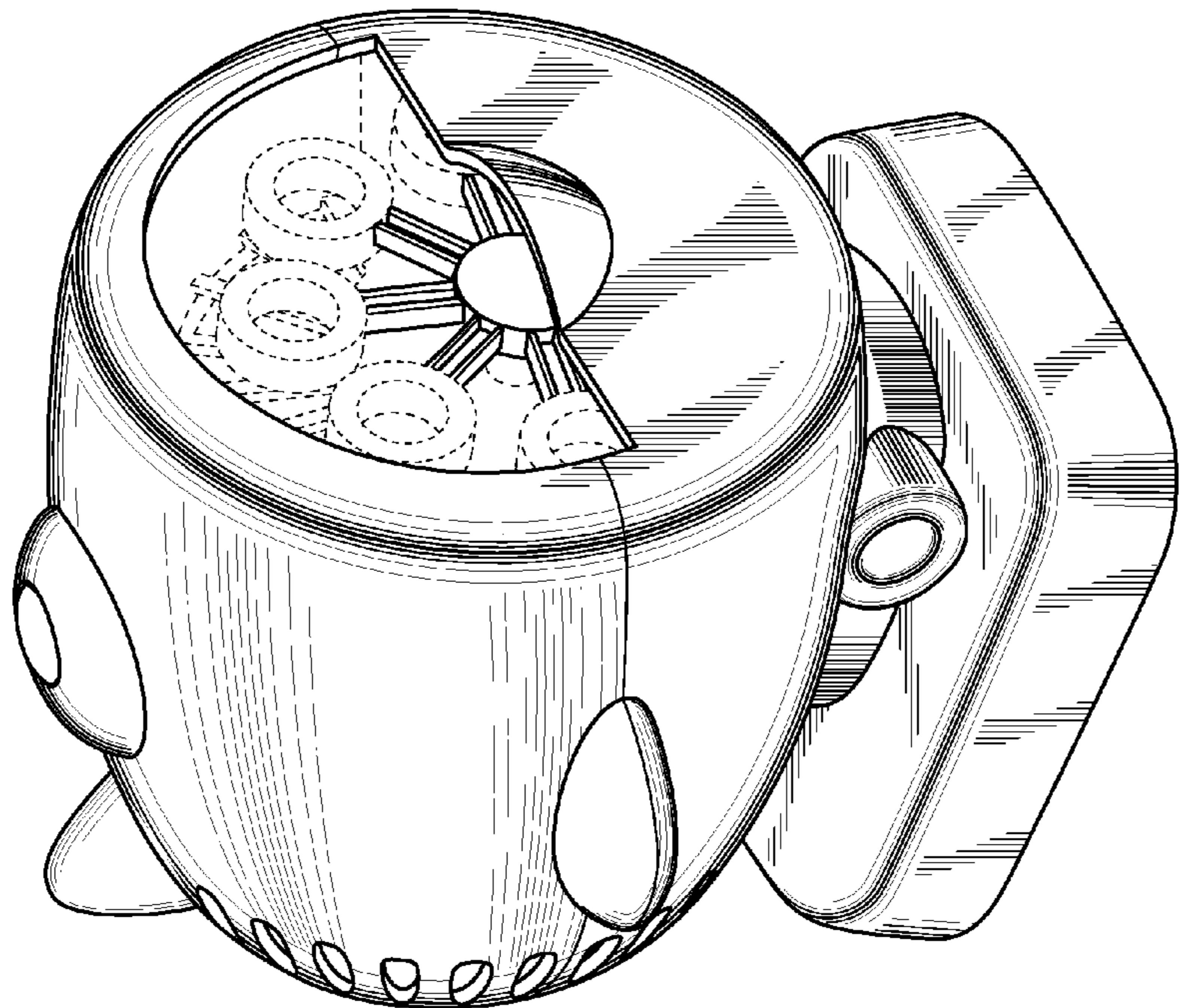


Fig.1

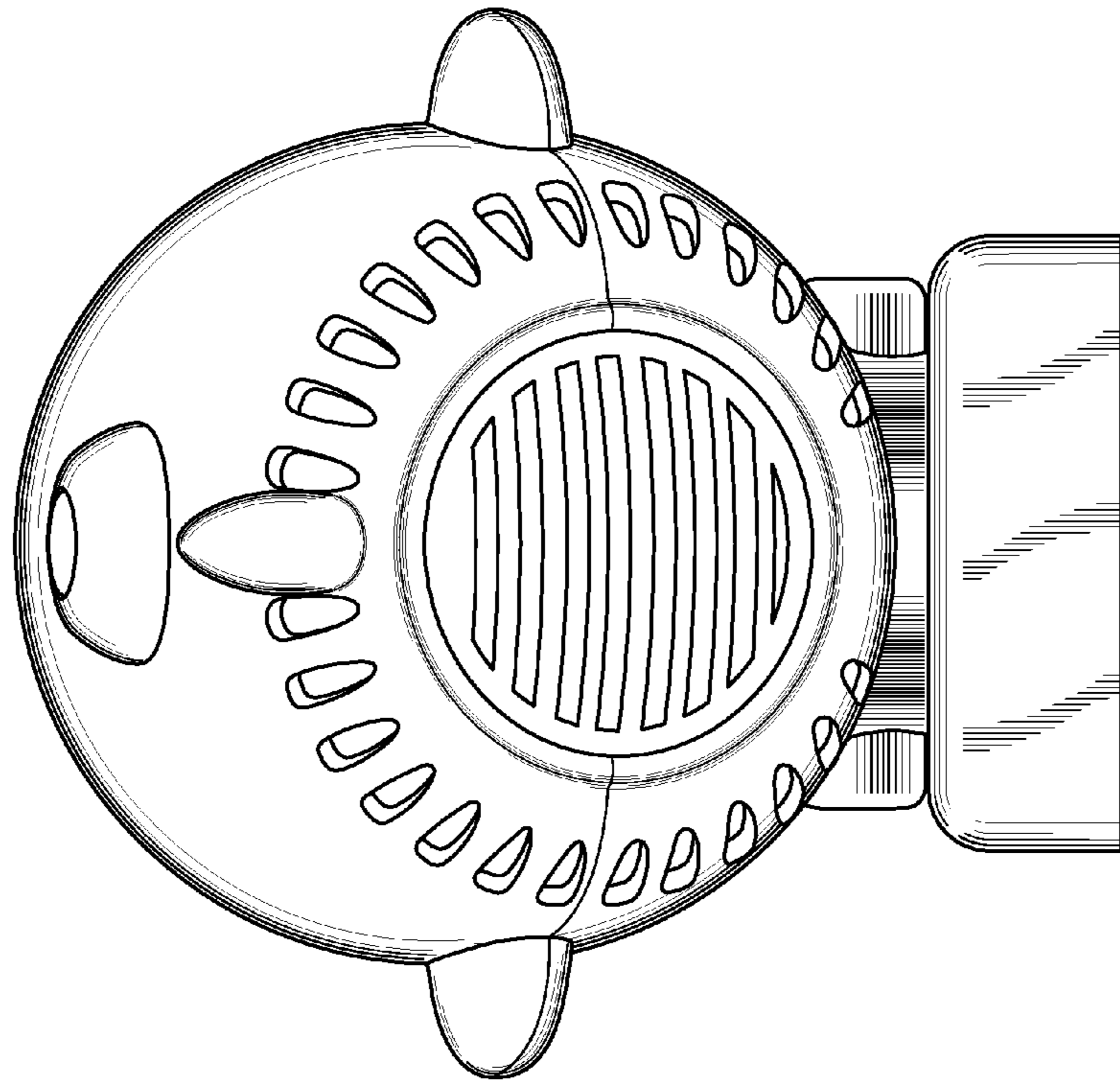


Fig.4

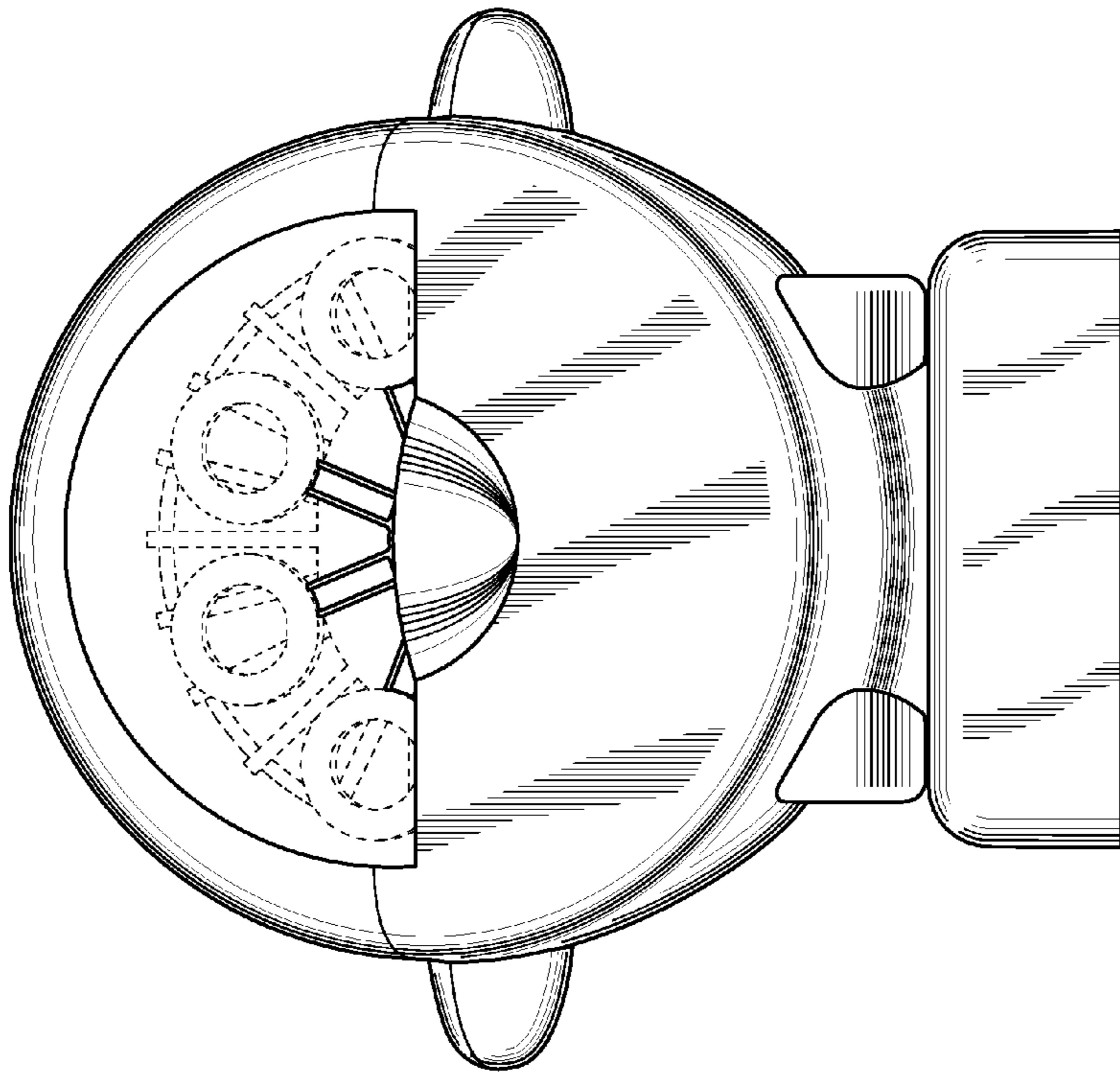


Fig.3

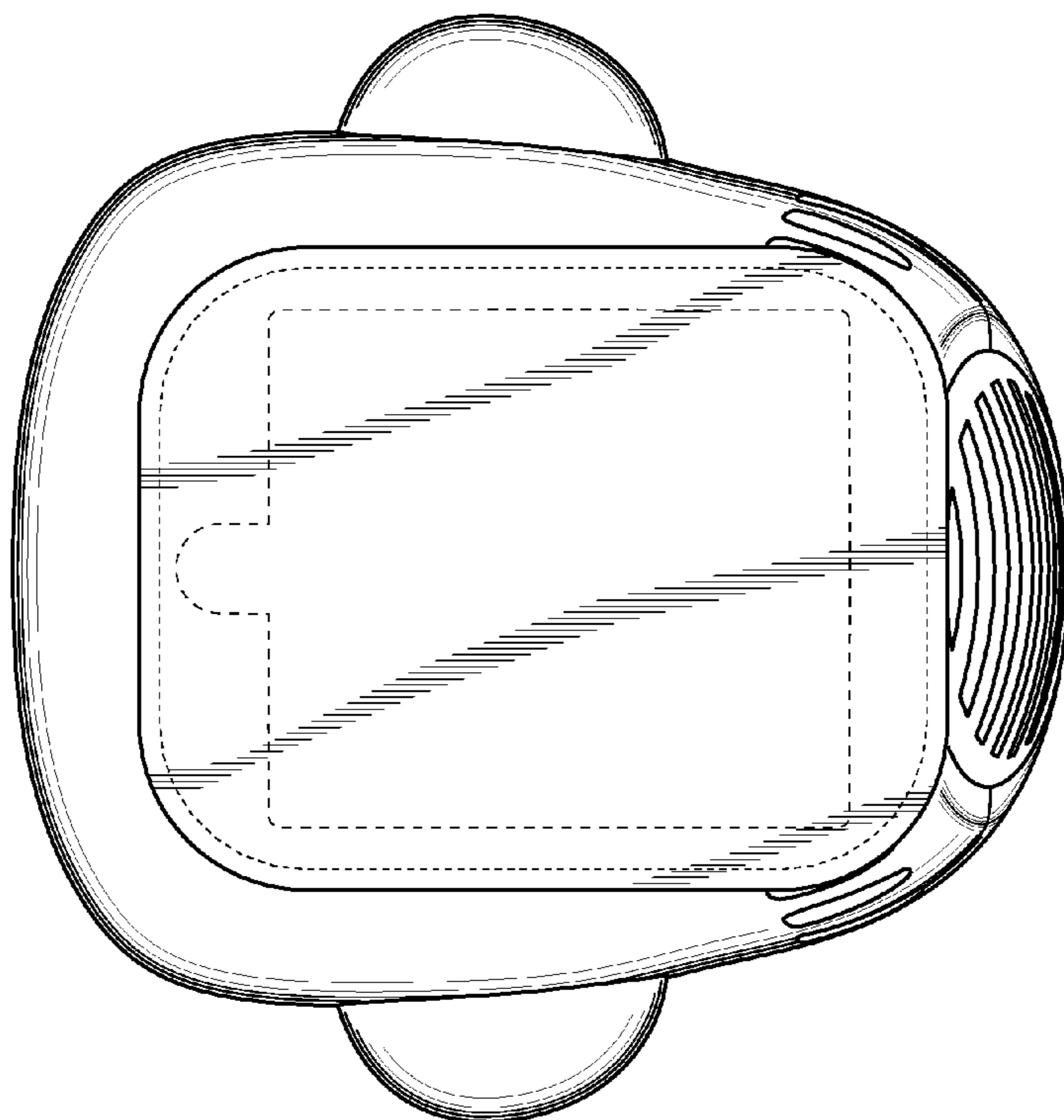


Fig.6

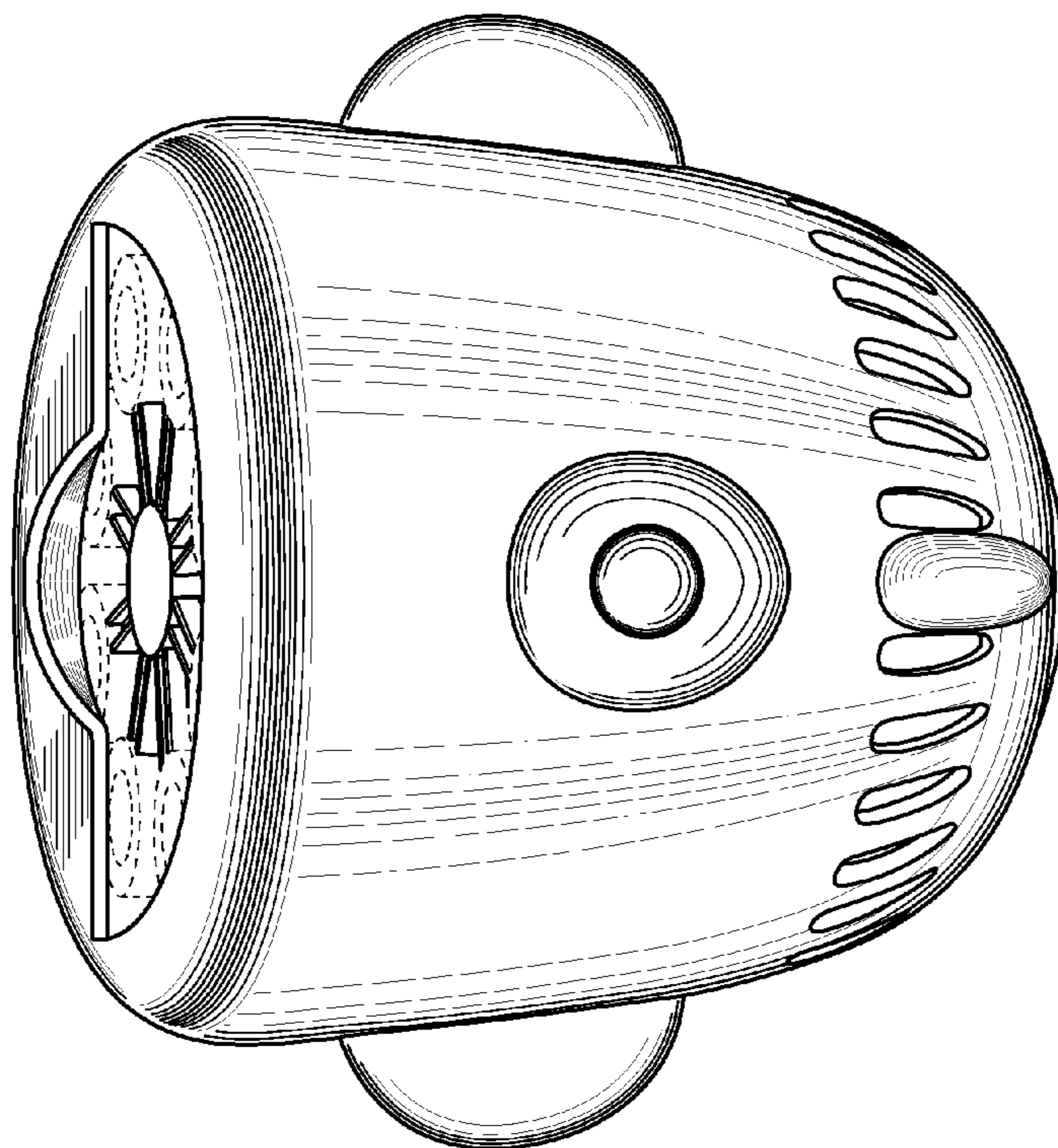


Fig.5