



US00D642628S

(12) **United States Design Patent**
Plakas et al.

(10) **Patent No.:** **US D642,628 S**

(45) **Date of Patent:** **** Aug. 2, 2011**

(54) **LOTTERY TERMINAL**

(75) Inventors: **George Plakas**, Athens (GR); **Costas Vrahatis**, Athens (GR); **Argiris Diamandis**, Athens (GR); **Lelouda Papanastasiou**, Athens (GR)

(73) Assignee: **Intralot S.A. - Integrated Lottery Systems and Services**, Athens (GR)

(**) Term: **14 Years**

(21) Appl. No.: **29/361,634**

(22) Filed: **May 13, 2010**

(51) **LOC (9) Cl.** **21-03**

(52) **U.S. Cl.** **D21/369; D21/325**

(58) **Field of Classification Search** D14/239;
D21/325-333, 369-371, 385; 273/274; 463/17,
463/20, 25, 46-47

See application file for complete search history.

(56) **References Cited**

U.S. PATENT DOCUMENTS

6,514,145 B1 * 2/2003 Kawabata et al. 463/46
D525,313 S * 7/2006 Dattl et al. D21/325
D562,409 S * 2/2008 Shoui et al. D21/325
D565,667 S * 4/2008 Sugimori et al. D21/325

D584,075 S * 1/2009 Hung D14/239
D587,254 S * 2/2009 Morello D14/239
2003/0151198 A1 * 8/2003 Parra et al. 273/274

OTHER PUBLICATIONS

Greek Patent Application No. 20080600180 with filing receipt, Oct. 2008.

* cited by examiner

Primary Examiner — Sandra Morris

(74) *Attorney, Agent, or Firm* — Greenberg Traurig, LLP

(57) **CLAIM**

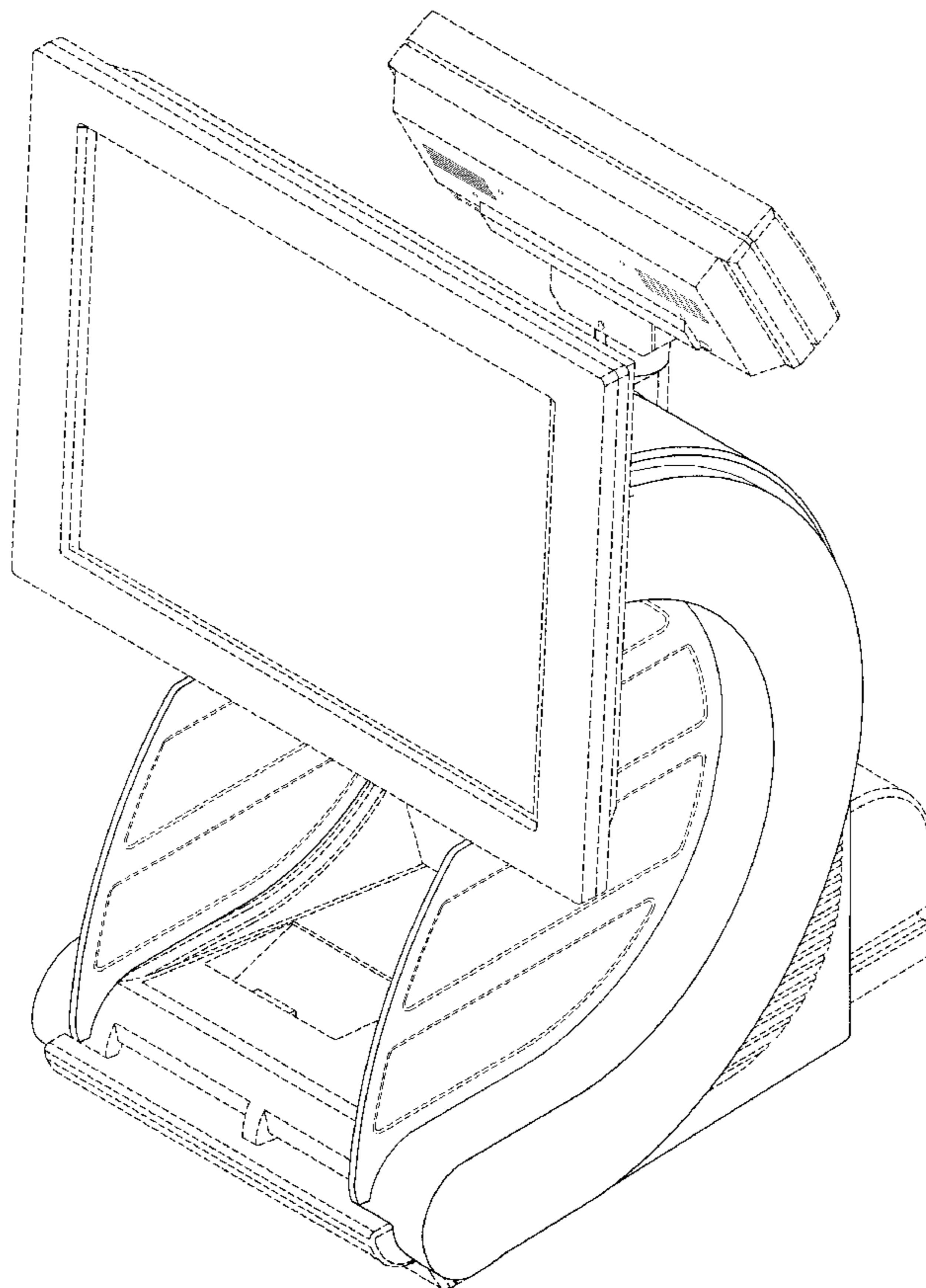
The ornamental design for a lottery terminal, as shown and described.

DESCRIPTION

FIG. 1 is a rear perspective view of a lottery terminal, in accordance with our new design;
FIG. 2 is a front perspective view thereof;
FIG. 3 is a front view thereof;
FIG. 4 is a top view thereof;
FIG. 5 is a side view thereof;
FIG. 6 is a side view thereof; and,
FIG. 7 is a back view thereof.

The broken lines identify the subject matter that forms no part of the claimed design.

1 Claim, 7 Drawing Sheets



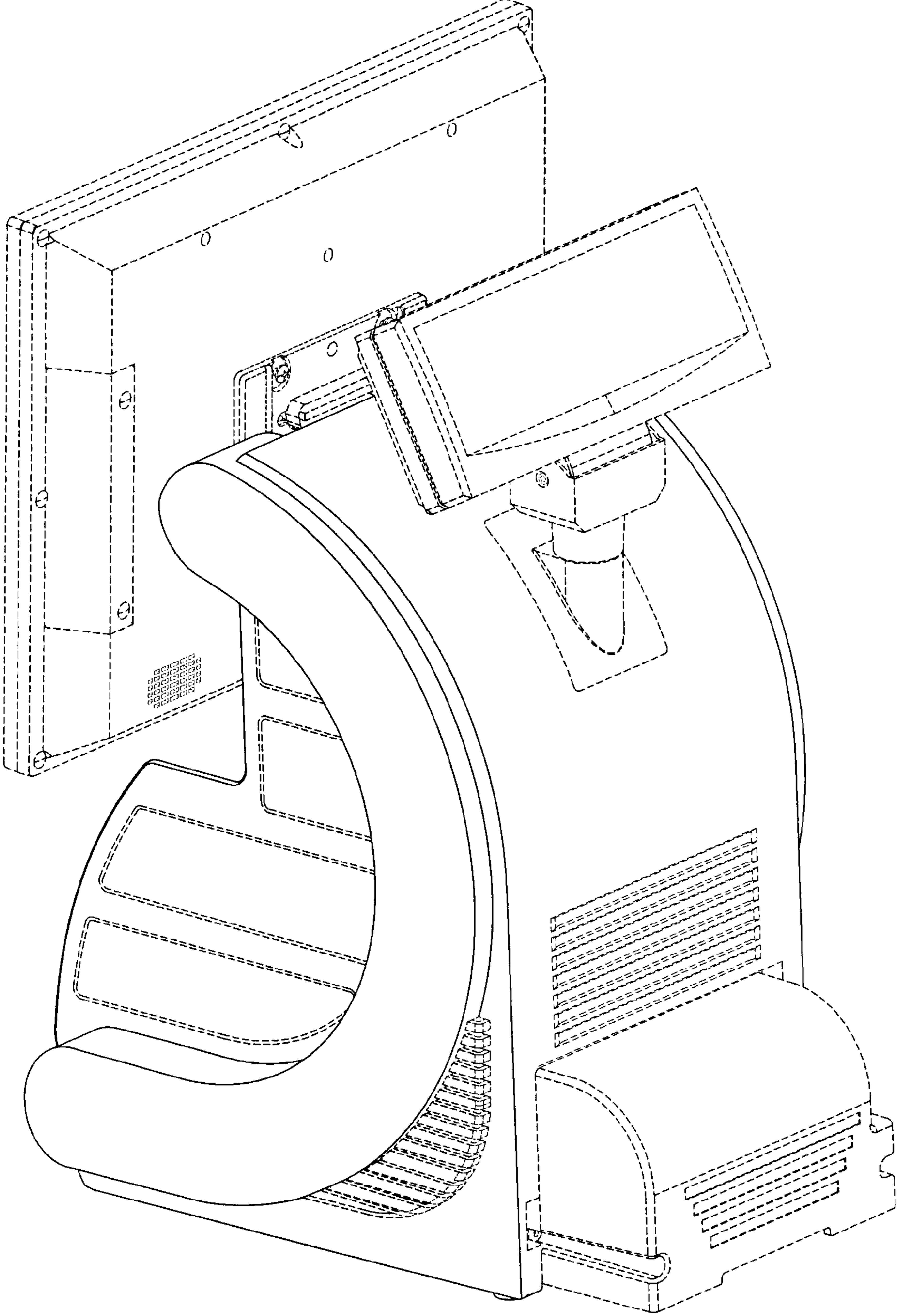


FIG. 1

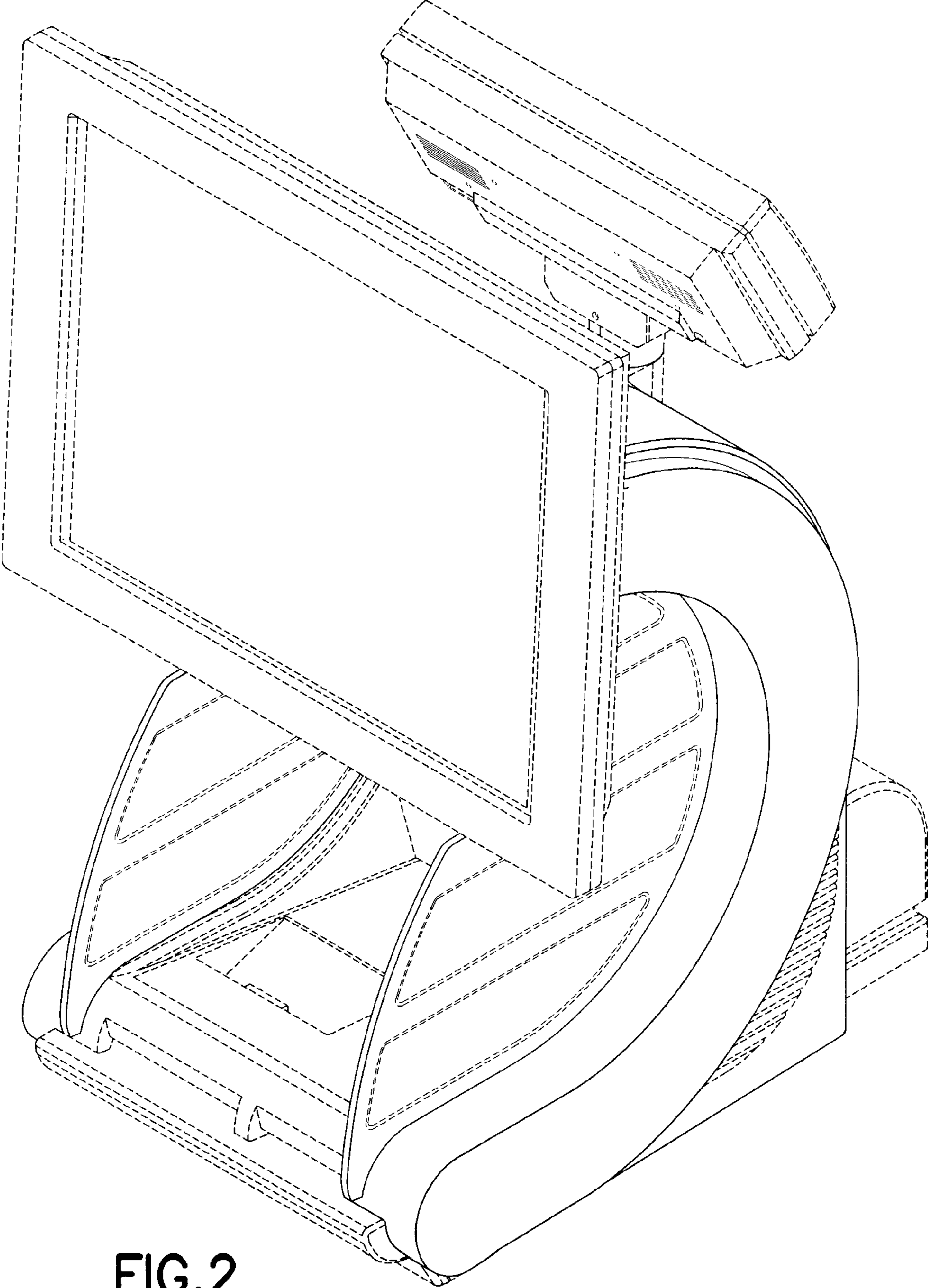


FIG.2

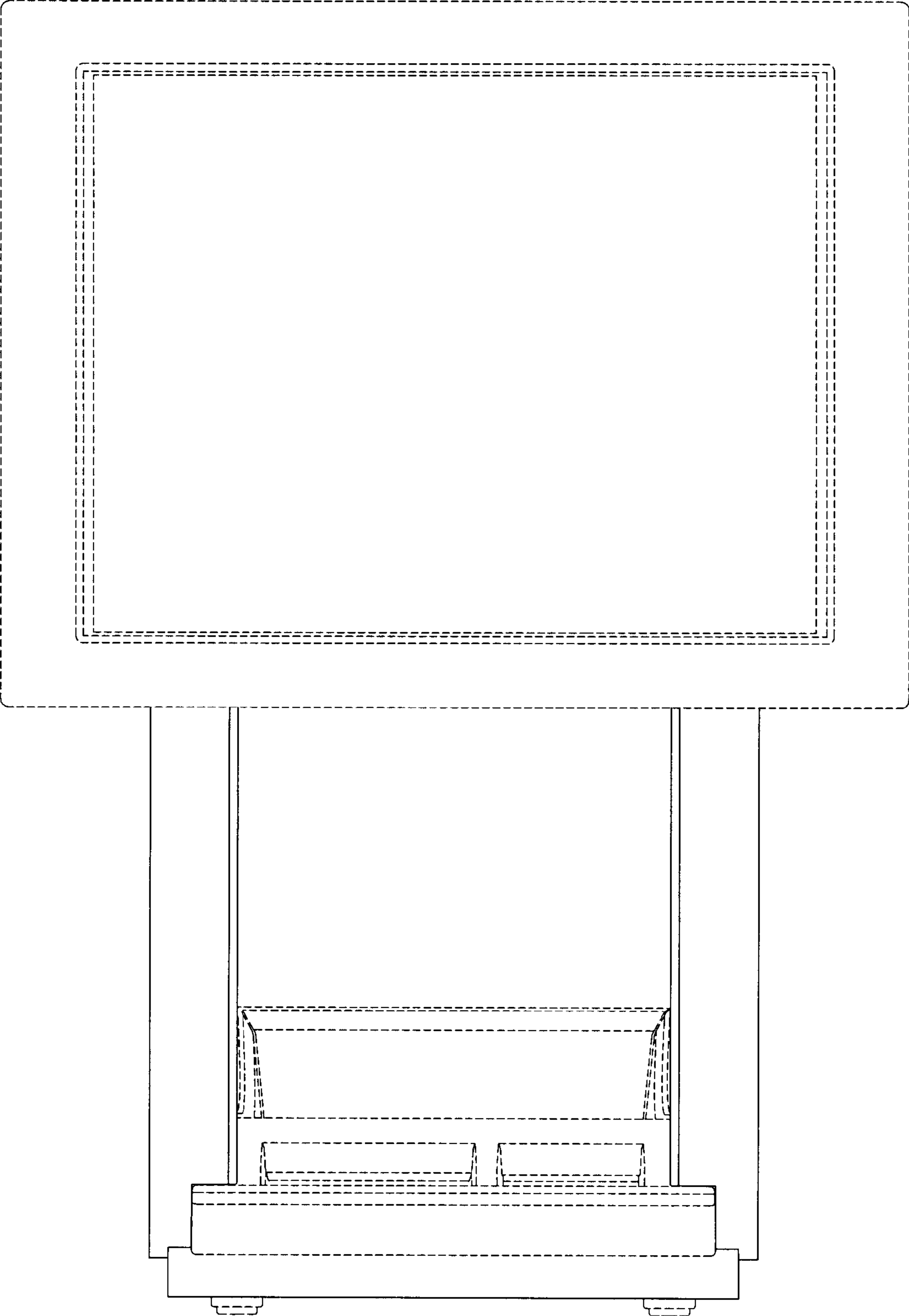


FIG.3

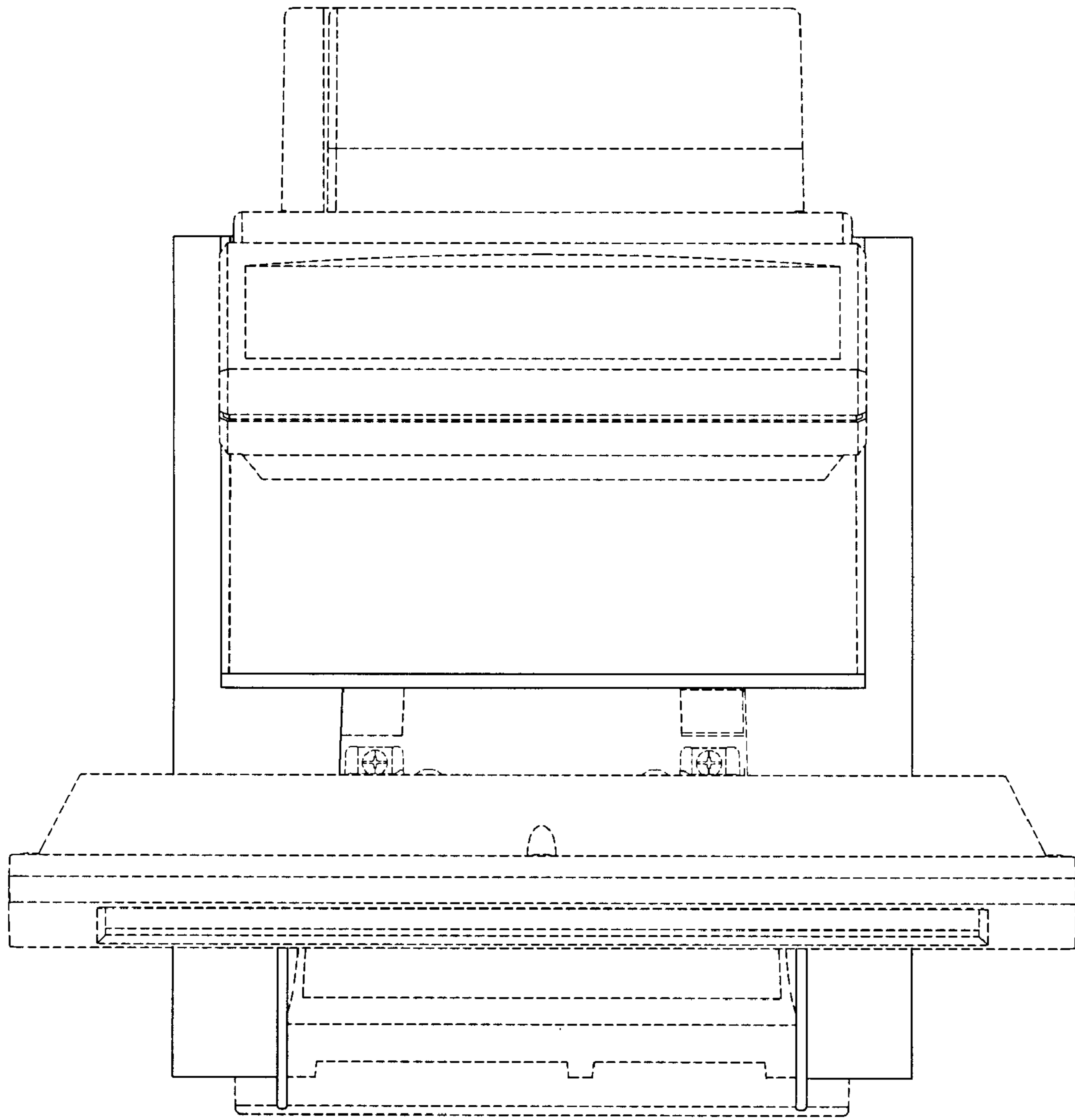


FIG.4

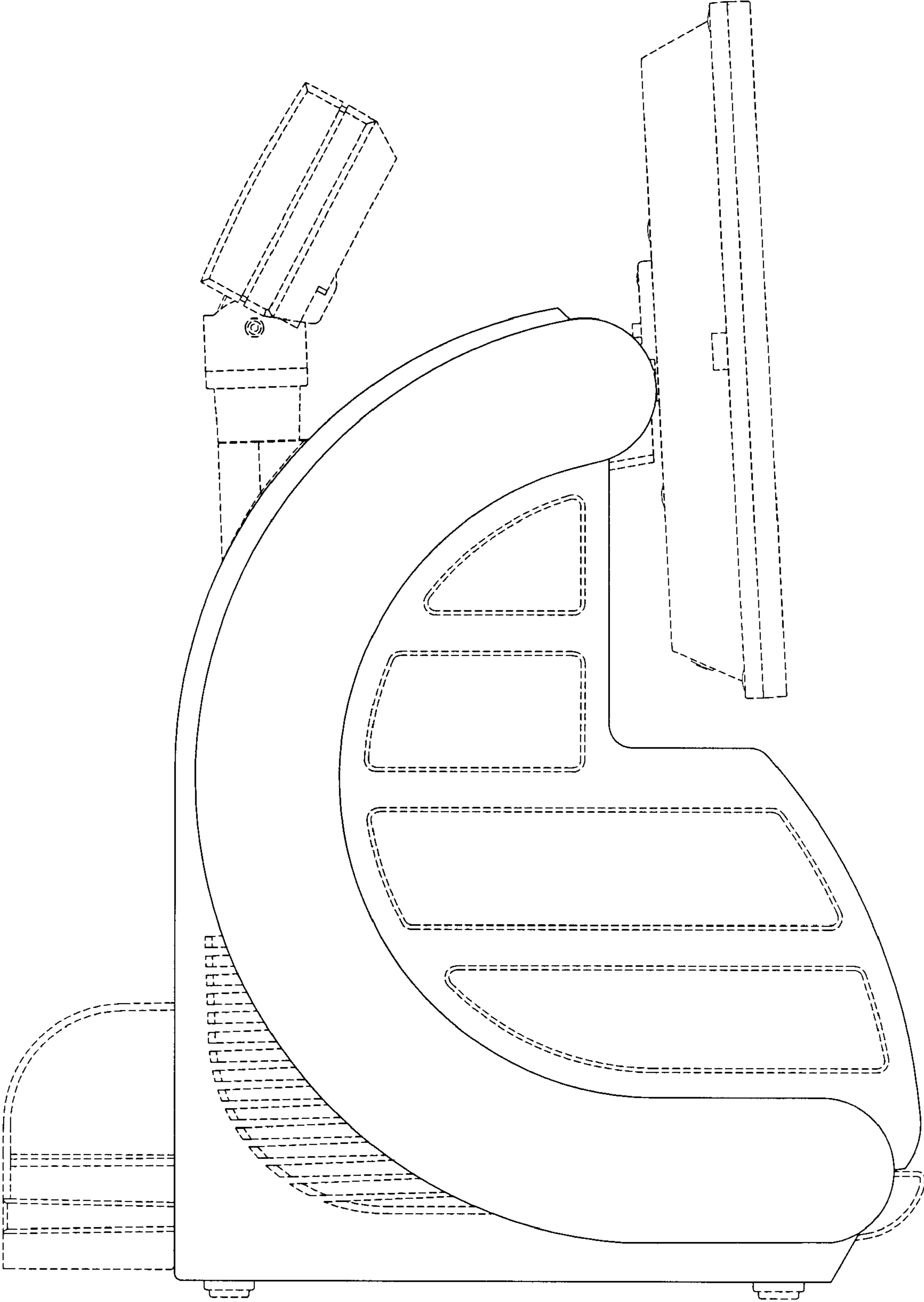


FIG.5

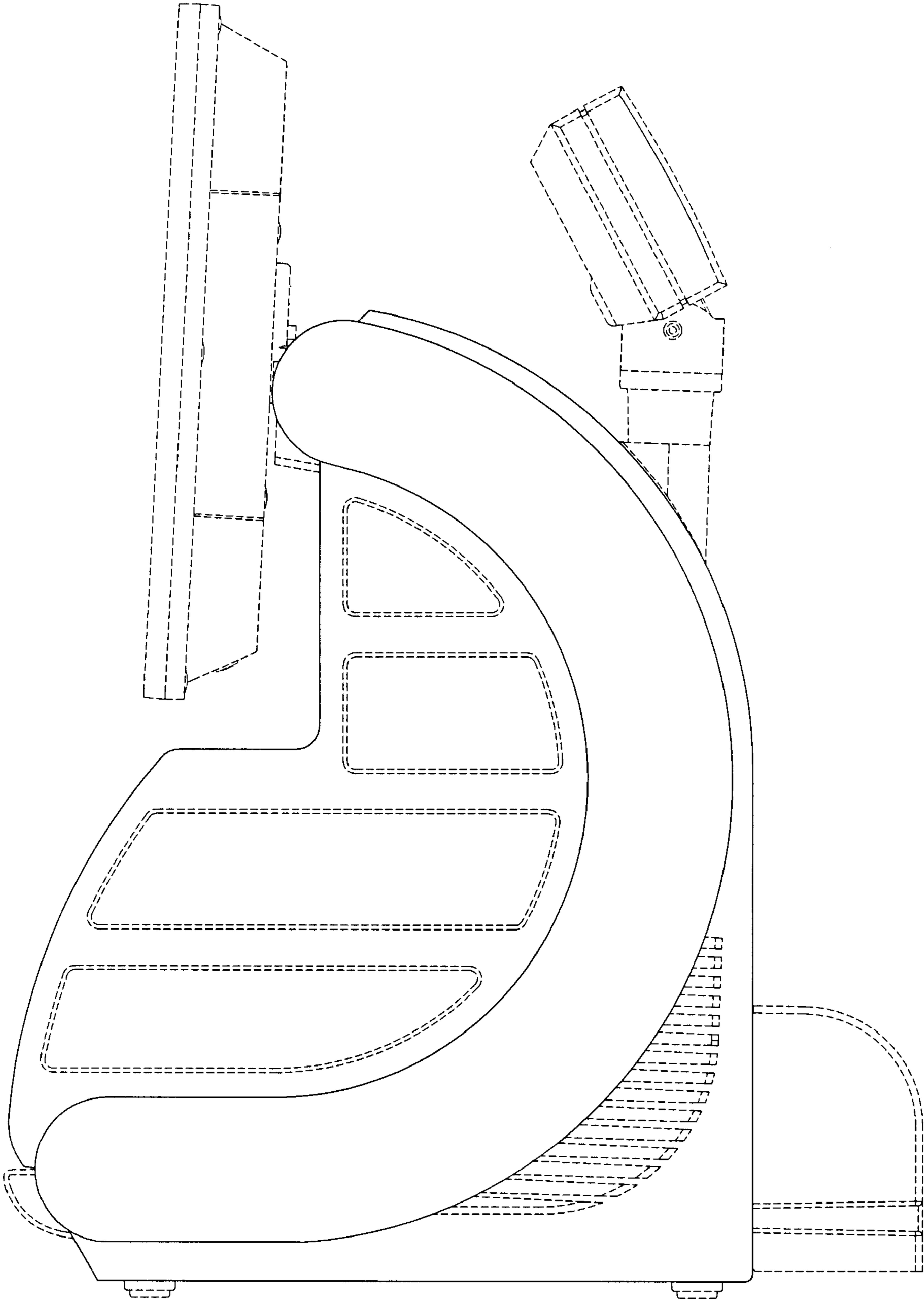


FIG.6

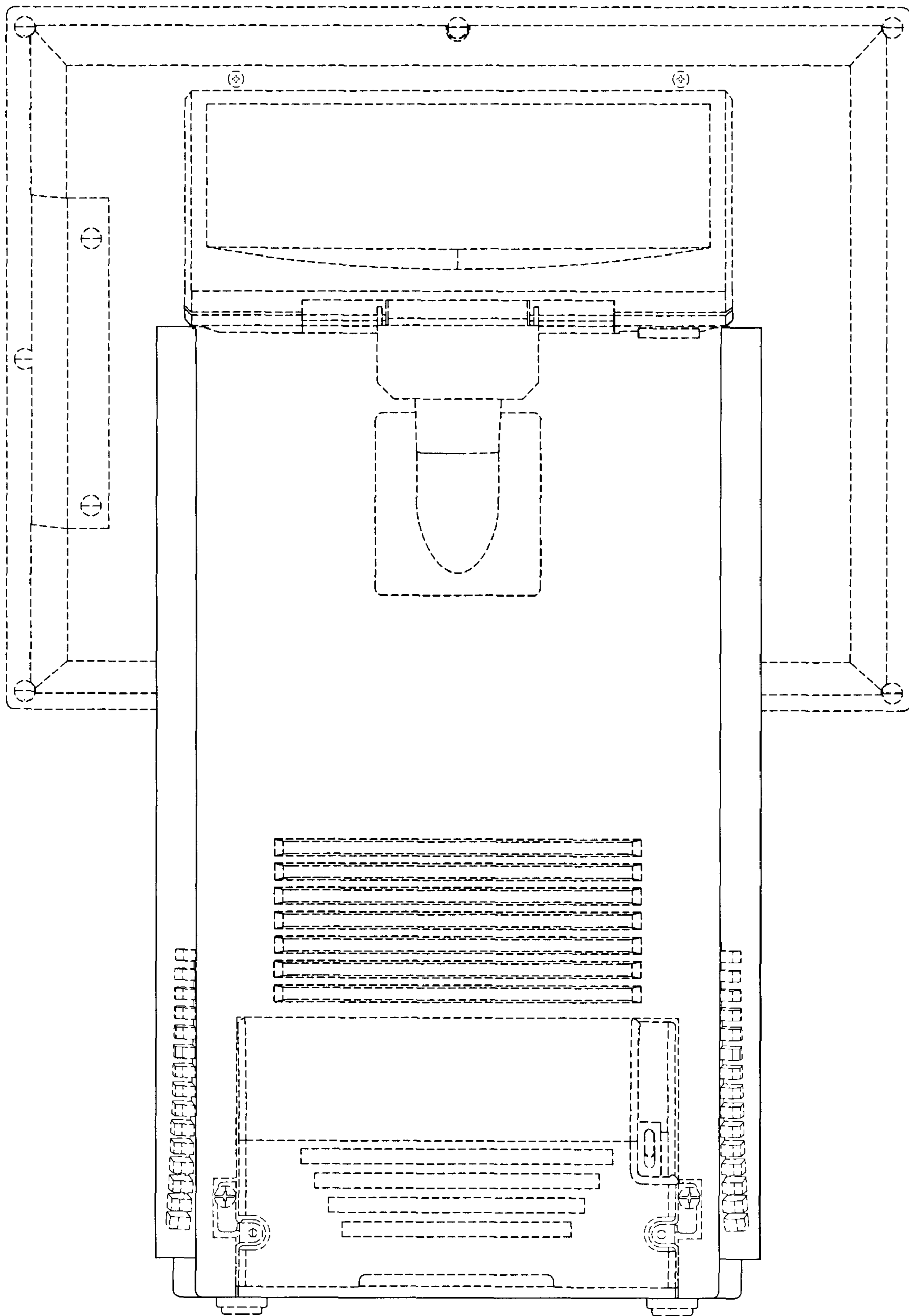


FIG. 7