



US00D642624S

(12) **United States Design Patent**
Lu

(10) **Patent No.:** **US D642,624 S**

(45) **Date of Patent:** **** Aug. 2, 2011**

(54) **COFFEE TABLE WITH FOOTBALL GAME DEVICE**

(76) Inventor: **Wei-Lin Lu**, Guang Dong (CN)

(**) Term: **14 Years**

(21) Appl. No.: **29/350,427**

(22) Filed: **Nov. 17, 2009**

(51) **LOC (9) Cl.** **21-01**

(52) **U.S. Cl.** **D21/318; D21/782**

(58) **Field of Classification Search** D21/318,
D21/312, 314, 334, 338, 783, 784; D6/396,
D6/329, 451; 273/108.1, 309, 108.52–108.56,
273/118 R, 126 R, 126 A, 127 R, 236, DIG. 26
See application file for complete search history.

(56) **References Cited**

U.S. PATENT DOCUMENTS

5,615,619	A *	4/1997	King	108/25
D432,813	S *	10/2000	Hazen et al.	D6/432
6,349,939	B1 *	2/2002	Tsai	273/108.1
6,419,224	B1 *	7/2002	Tsai	273/108.1
D476,389	S *	6/2003	Flathers	D21/784

D500,543	S *	1/2005	Stein	D21/784
D559,017	S *	1/2008	Domack et al.	D6/480
D570,418	S *	6/2008	Lu	D21/318
D572,792	S *	7/2008	Thornberg	D21/783
2008/0150230	A1 *	6/2008	Bowe	273/108.1
2008/0154906	A1 *	6/2008	McDavid et al.	707/10

* cited by examiner

Primary Examiner — Prabhakar Deshmukh

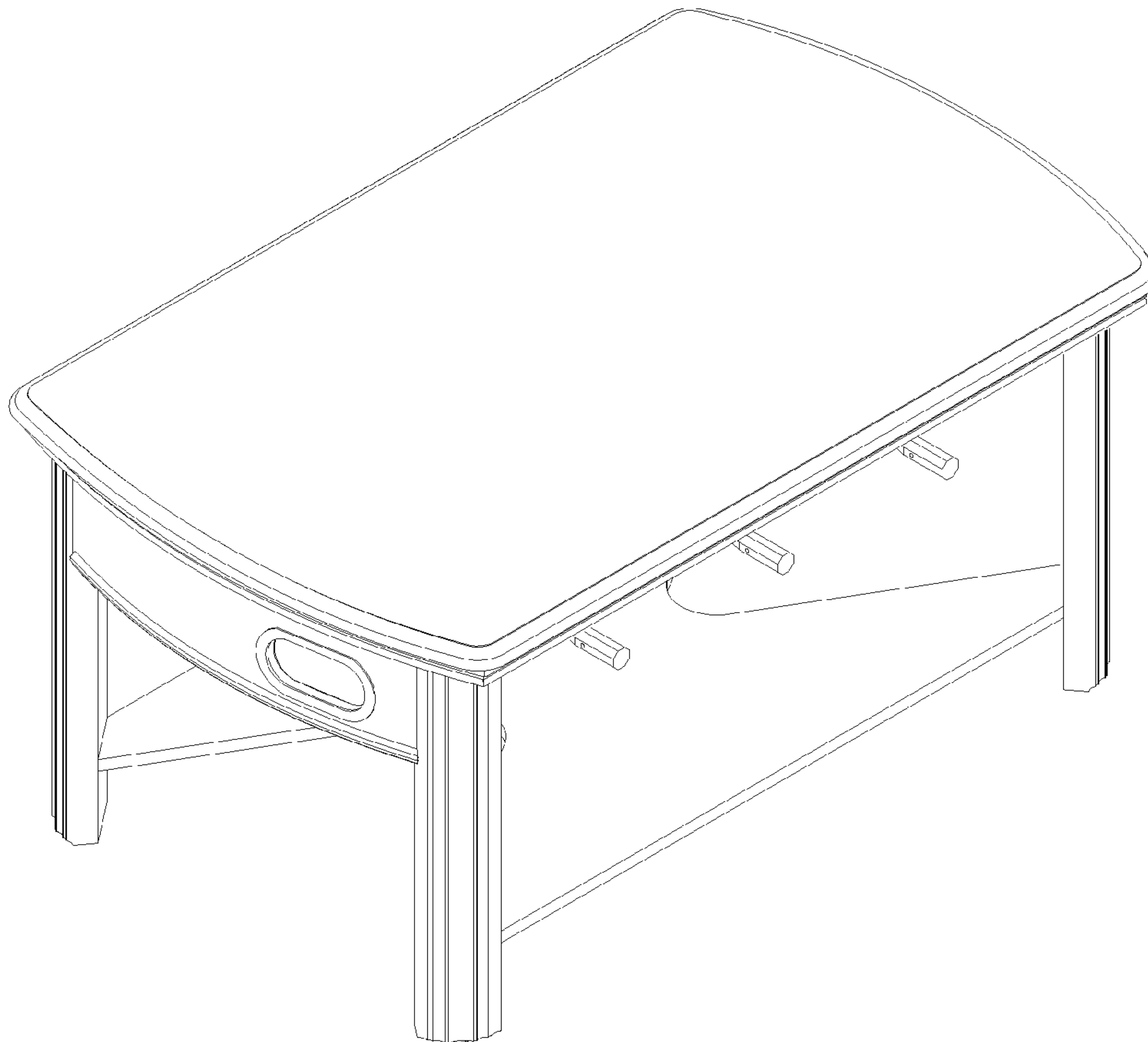
(57) **CLAIM**

The ornamental design for coffee table with football game device, as shown and described.

DESCRIPTION

FIG. 1 is a perspective view of coffee table with football game device showing my present design, FIG. 2 is a front view thereof; FIG. 3 is a rear view thereof; FIG. 4 is a left view thereof; FIG. 5 is a right view thereof; FIG. 6 is a top view thereof; and, FIG. 7 is a bottom view and the portions of the table shown in broken lines form no part of the claim design.

1 Claim, 4 Drawing Sheets



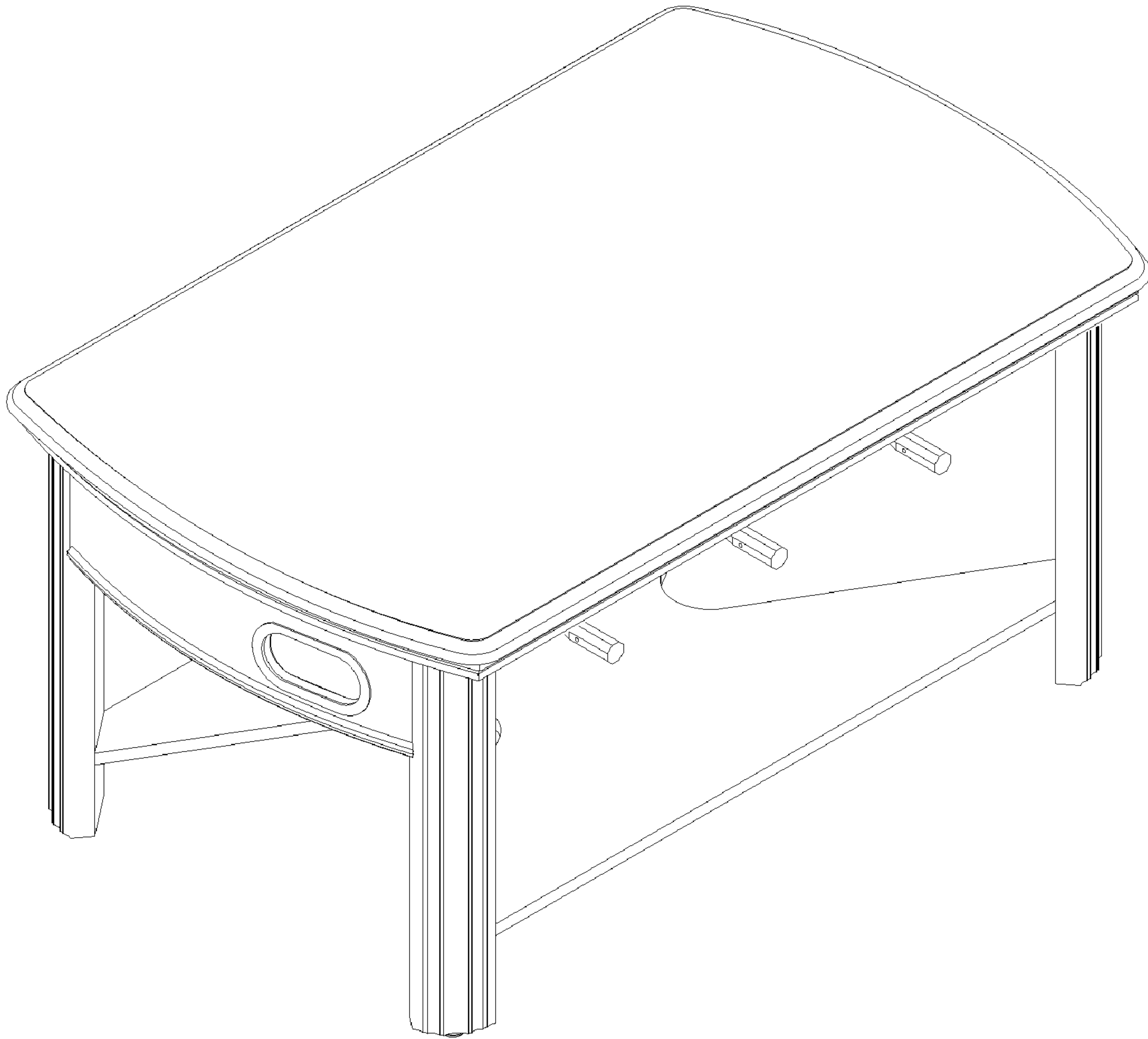


FIG. 1

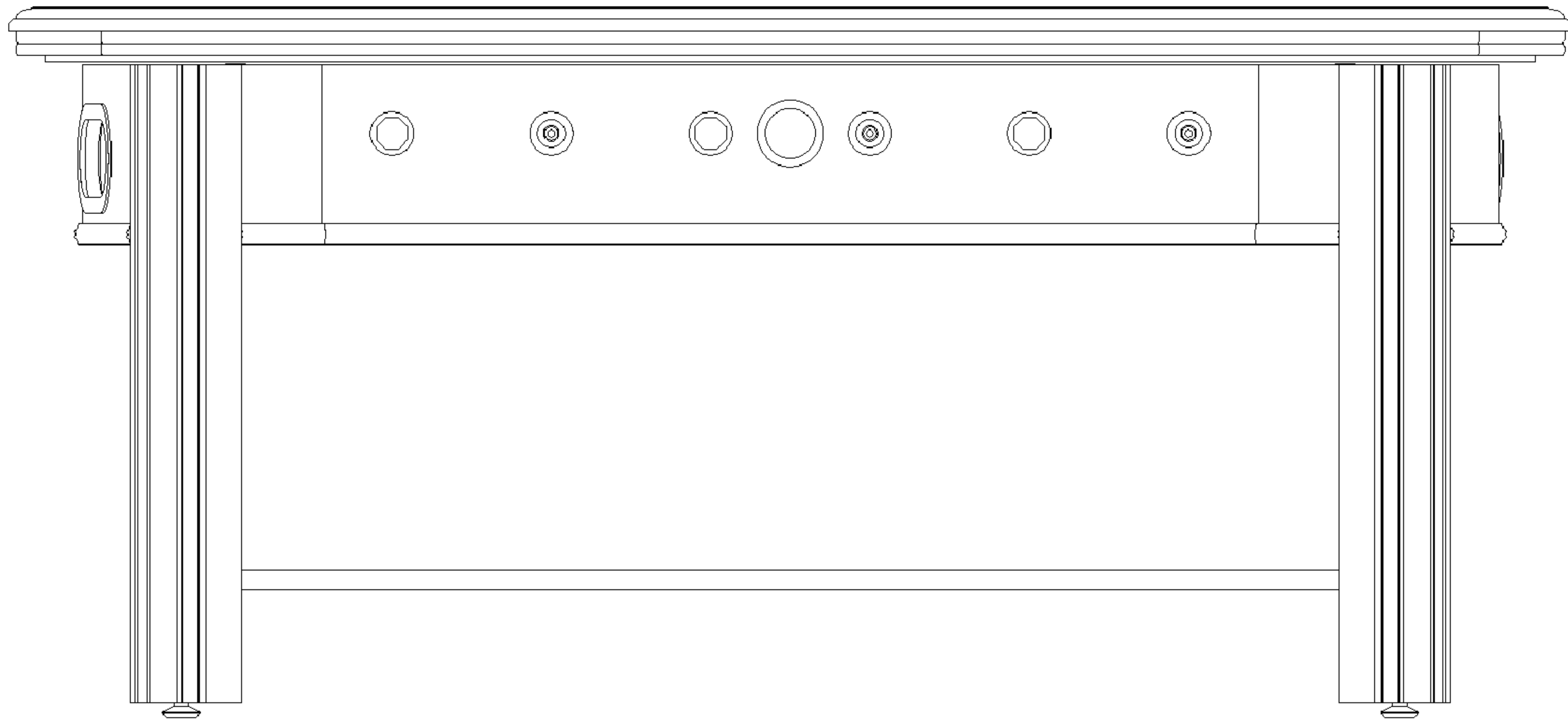


FIG. 2

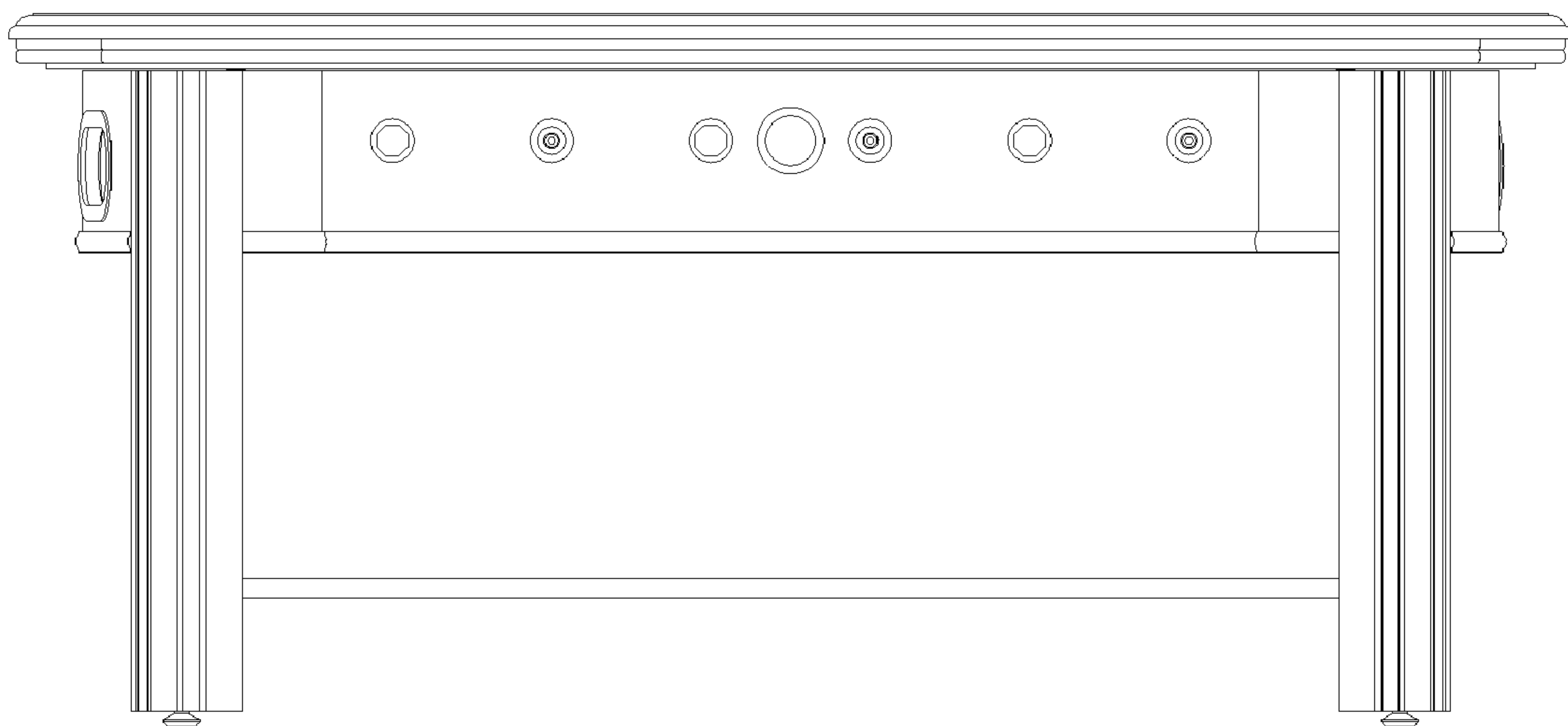


FIG. 3

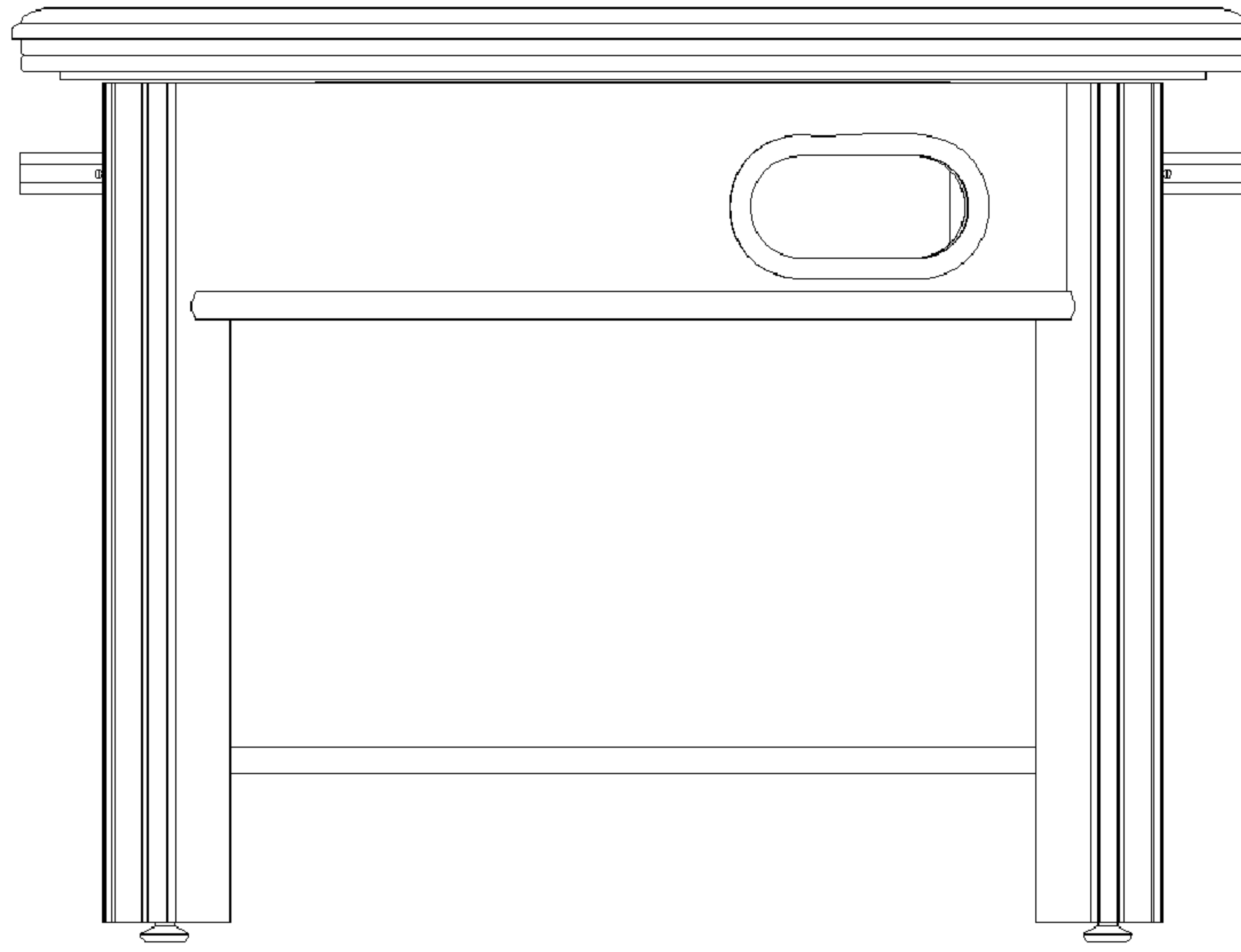


FIG. 4

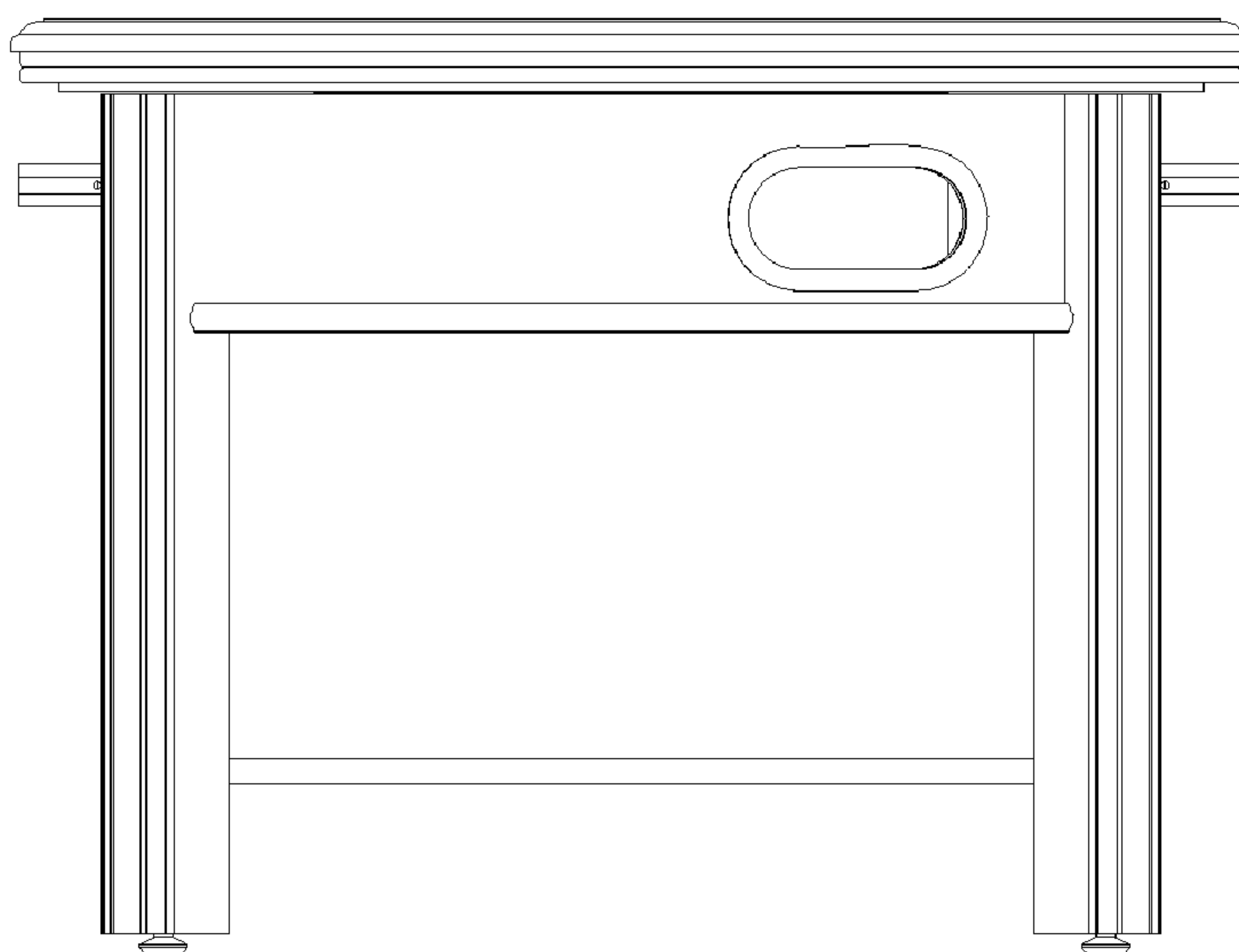


FIG. 5

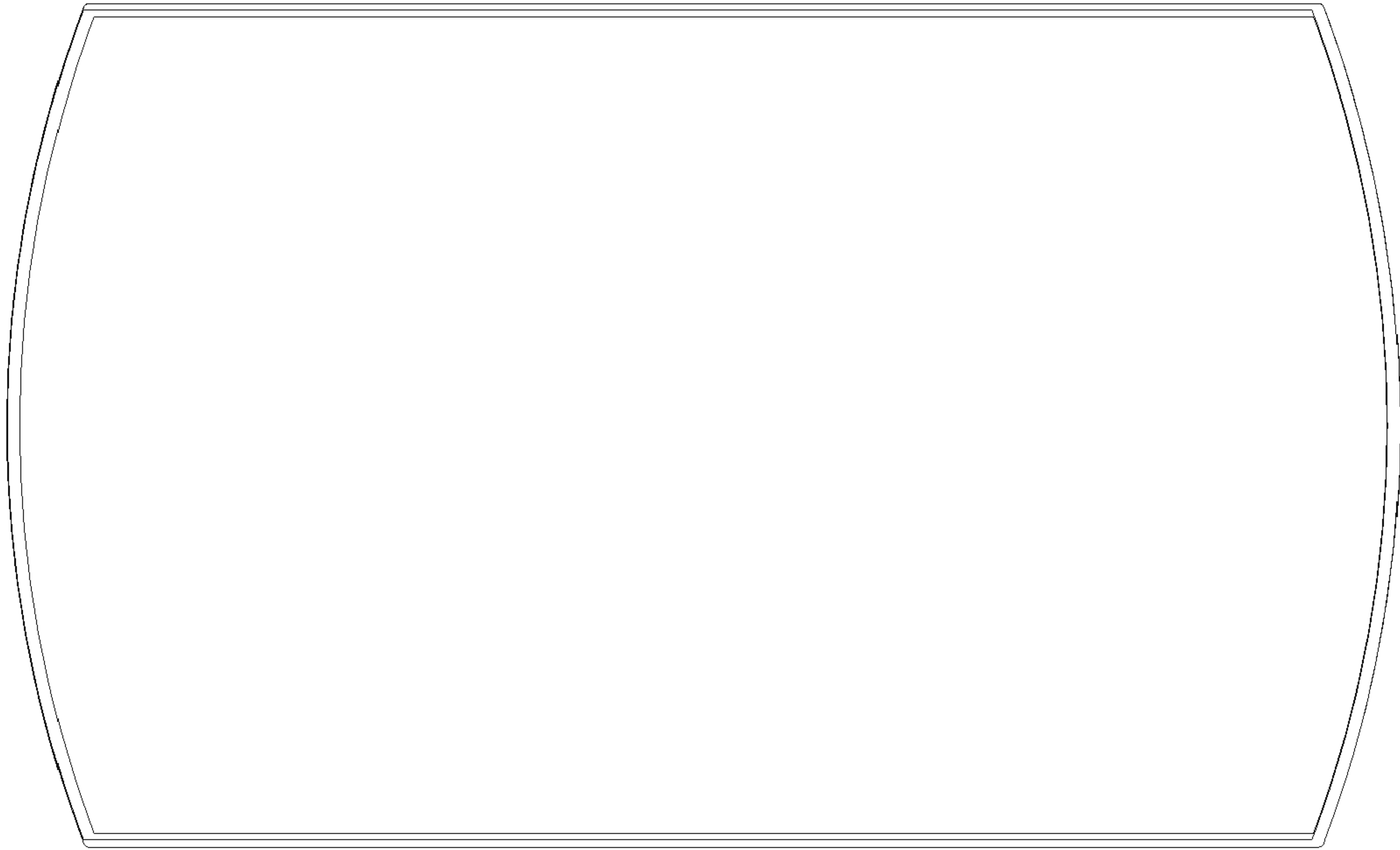


FIG. 6

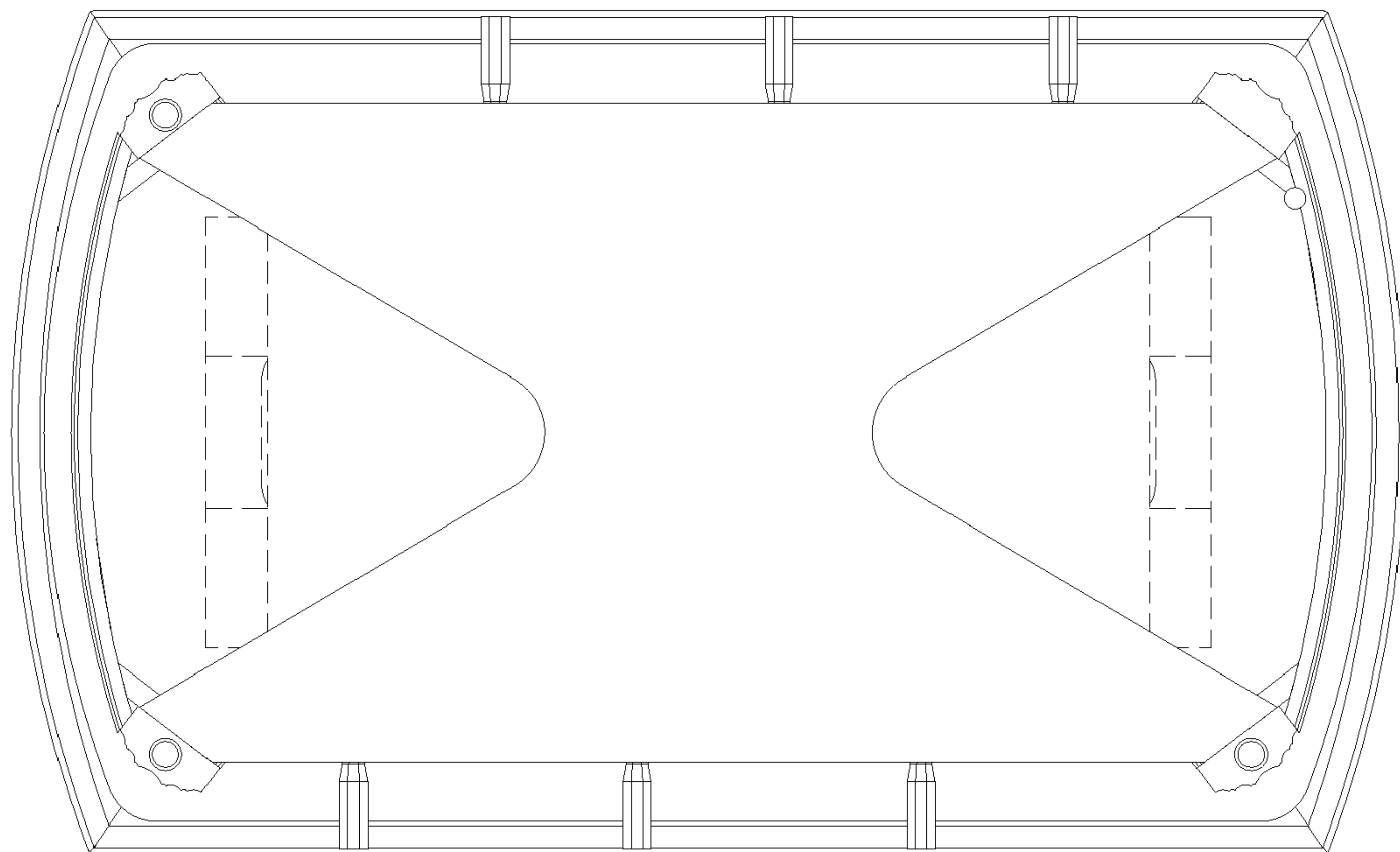


FIG. 7