



US00D642619S

(12) **United States Design Patent**
Kermaal

(10) **Patent No.:** **US D642,619 S**

(45) **Date of Patent:** **** Aug. 2, 2011**

(54) **WRITING INSTRUMENT**

(75) Inventor: **Philippe Kermaal**, Paris (FR)

(73) Assignee: **Sanford, L.P.**, Oak Brook, IL (US)

(**) Term: **14 Years**

(21) Appl. No.: **29/358,206**

(22) Filed: **Mar. 24, 2010**

(51) **LOC (9) Cl.** **19-06**

(52) **U.S. Cl.** **D19/48**

(58) **Field of Classification Search** D19/35,
D19/36, 41-51, 54-58; 24/10 R, 11 CC,
24/11 F, 11 P, 11 PP, 11 R; 401/52, 99-114,
401/192, 193, 195-198

See application file for complete search history.

(56) **References Cited**

U.S. PATENT DOCUMENTS

D361,783 S *	8/1995	Wei	D19/48
D363,739 S *	10/1995	Petrillo	D19/48
D364,424 S *	11/1995	Shimizu	D19/51
D374,893 S *	10/1996	Yazawa	D19/51
D378,601 S *	3/1997	Sakuno	D19/48
5,803,637 A *	9/1998	Mitsuya	401/52
D400,922 S *	11/1998	Sakuno	D19/48
D402,693 S *	12/1998	Sunaga	D19/48
D404,070 S *	1/1999	Hasegawa	D19/51
D413,145 S *	8/1999	Brescia et al.	D19/51
D413,926 S *	9/1999	Polidoro	D19/48
D458,964 S *	6/2002	Nakazawa	D19/48
D463,821 S *	10/2002	Nishida	D19/47
D474,810 S *	5/2003	Morita	D19/51
D480,756 S *	10/2003	Hwang	D19/48
D499,139 S *	11/2004	Oka	D19/47
D500,792 S *	1/2005	Bain et al.	D19/48
D519,563 S *	4/2006	Pellissa Beneyto	D19/51
D523,081 S *	6/2006	Pellissa Beneyto	D19/51
D525,302 S *	7/2006	Togawa	D19/51

D546,385 S *	7/2007	Bhavnani	D19/41
D548,787 S *	8/2007	Slemp	D19/48
D562,892 S *	2/2008	Qiu et al.	D19/48

(Continued)

FOREIGN PATENT DOCUMENTS

WO DM/073968 * 7/2010

OTHER PUBLICATIONS

Papermate Profile retractable pen. Retrieved from the Internet:
<http://www.montgomerypens.com/product_detail.asp?product_id=10057>. Publicly available before Mar. 24, 2010.

(Continued)

Primary Examiner — Elizabeth Albert

(74) *Attorney, Agent, or Firm* — Marshall, Gerstein & Borun LLP

(57) **CLAIM**

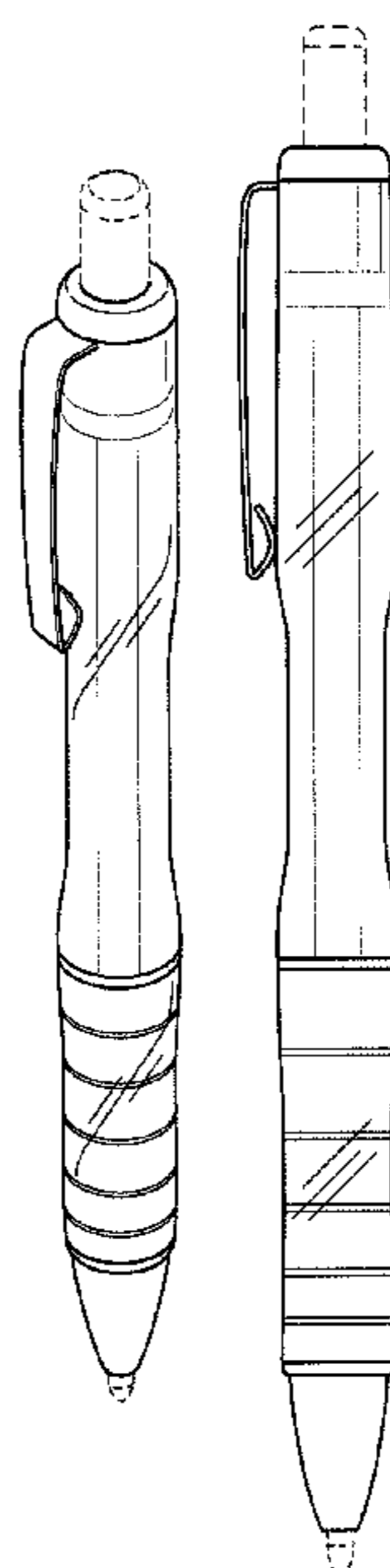
The ornamental design for a writing instrument, as shown and described.

DESCRIPTION

FIG. 1 is a perspective view showing my new design for a writing instrument;
FIG. 2 is a right side view of the writing instrument of FIG. 1;
FIG. 3 is a front view of the writing instrument of FIG. 1;
FIG. 4 is a rear view of the writing instrument of FIG. 1;
FIG. 5 is a left side view of the writing instrument of FIG. 1;
FIG. 6 is a top plan view of the writing instrument of FIG. 1;
and,
FIG. 7 is a bottom plan view of the writing instrument of FIG. 1.

The broken lines showing portions of the writing instrument are included for the purpose of illustrating environment and form no part of the claimed design.

1 Claim, 4 Drawing Sheets



US D642,619 S

Page 2

U.S. PATENT DOCUMENTS

D575,338 S * 8/2008 Shimizu D19/49
D580,978 S * 11/2008 Miller D19/51
D589,559 S * 3/2009 Slemp D19/51
D611,538 S * 3/2010 Zhou D19/51
D616,497 S * 5/2010 Shiina D19/48
D628,637 S * 12/2010 Xiao D19/48
D628,638 S * 12/2010 Zhano D19/48
D628,639 S * 12/2010 Wang D19/48
D628,640 S * 12/2010 Wang D19/50
D633,943 S * 3/2011 Stukenkemper D19/51

OTHER PUBLICATIONS

Prismacolor Premier marker. Retrieved from the Internet: <<http://www.prismacolor.com/sanford/consumer/prismacolor/product/subCategory.jhtml;jsessionid=ZPLNSDV0PLEMSCQIUBSCIIQKBCQHJCK?subCat=SNPRCat160001>>. Publicly available before Mar. 24, 2010.

* cited by examiner

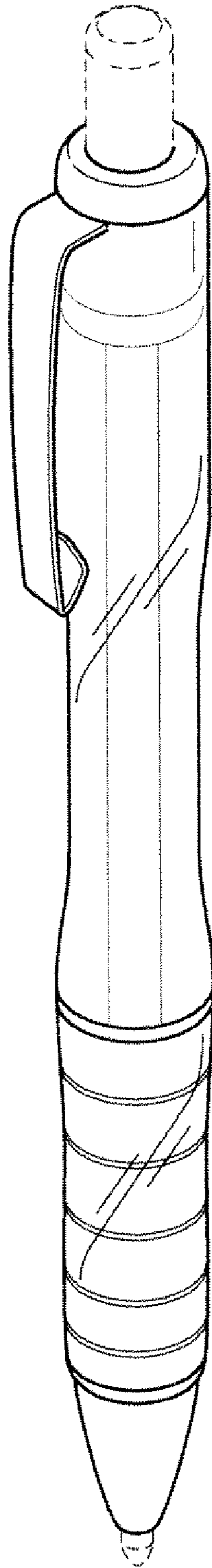


FIG. 1

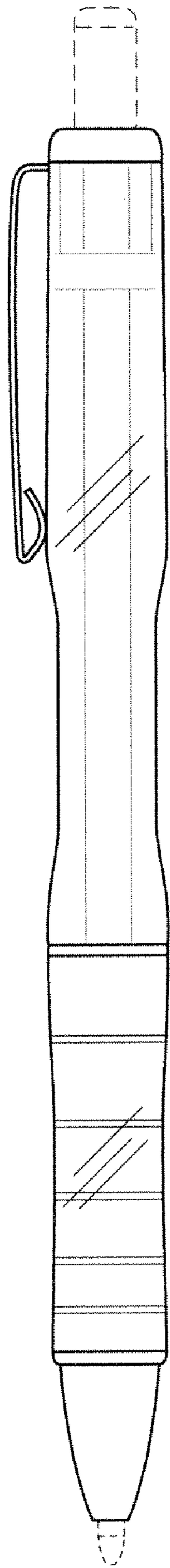


FIG. 2

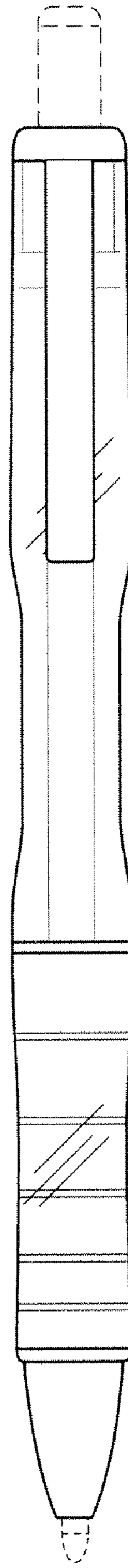


FIG. 3

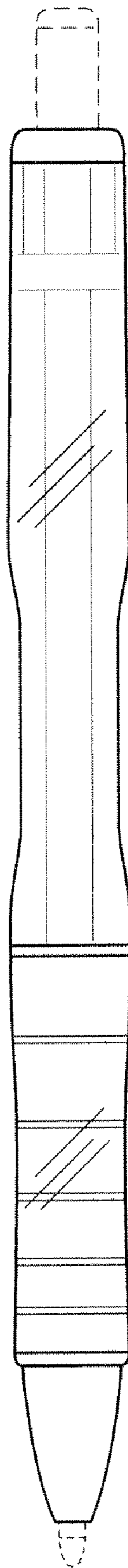


FIG. 4

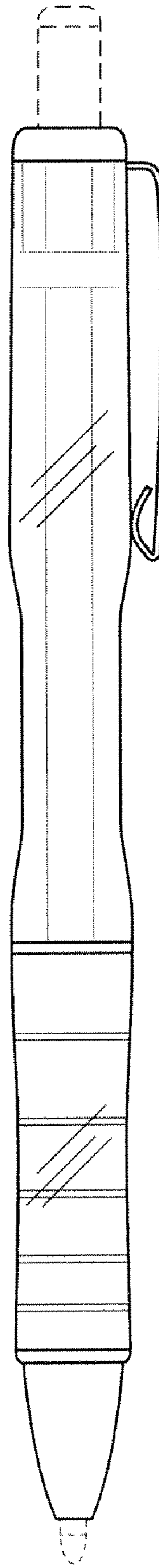


FIG. 5

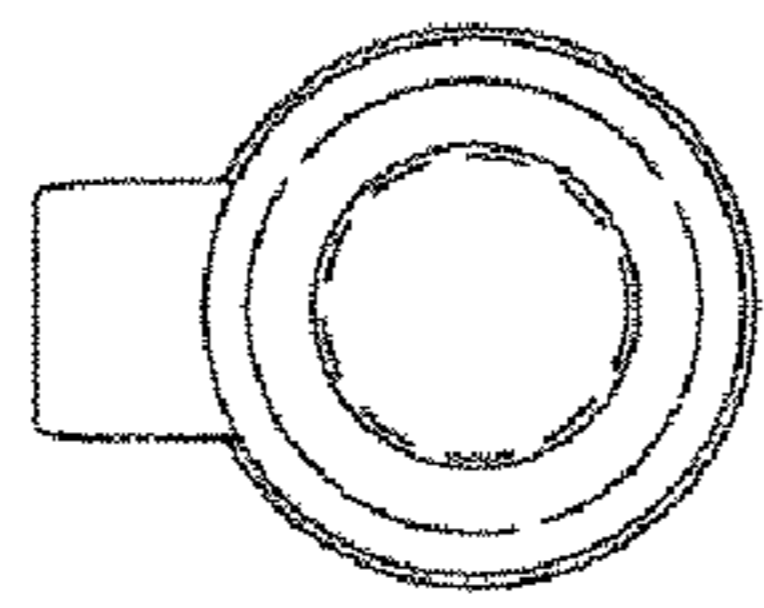


FIG. 6

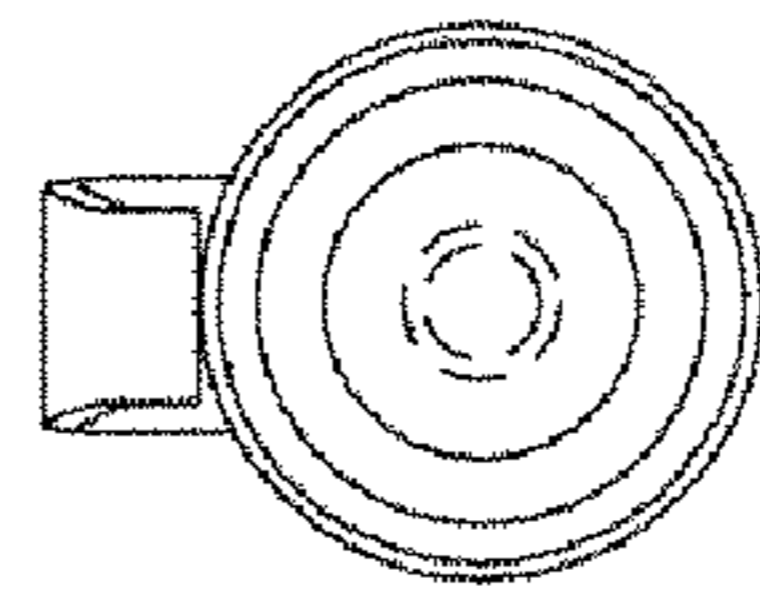


FIG. 7